



**THE DATASHEET OF  
MAX488CETI+T**



# Up to 8.0Gbps Dual Passive Switches

## General Description

The MAX4888B/MAX4888C dual double-pole/double-throw (2 x DPDT), high-speed passive switches are ideal for switching two half-lanes of PCI Express® (PCIe) data between two possible destinations. These devices feature a dual digital control input to switch signal paths. The MAX4888C is intended for use in systems where both the input and output are capacitively coupled (e.g., SAS, SATA, XAUI, and PCIe) and provides a 10 $\mu$ A (typ) source current and a 60k $\Omega$  (typ) internal biasing resistor to GND at the AOUT\_ and BOUT\_ pins.

The devices are fully specified to operate from a single +3.3V (typ) power supply. Both devices are available in an industry-standard 3.5mm x 5.5mm, 28-pin TQFN package. They operate over the -40°C to +85°C extended temperature range.

## Applications

Desktop PCs  
Notebook PCs  
Servers

## Features

- ◆ Single +3.3V Power-Supply Voltage
- ◆ Supports PCIe Gen I, Gen II, and Gen III Data Rates
- ◆ Supports Up To and Including 6.0Gbps SAS/SATA Signals
- ◆ Supports Other High-Speed Interfaces (e.g., XAUI)
- ◆ Superior Bandwidth Return Loss
- ◆ Small, 3.5mm x 5.5mm, 28-Pin TQFN Package

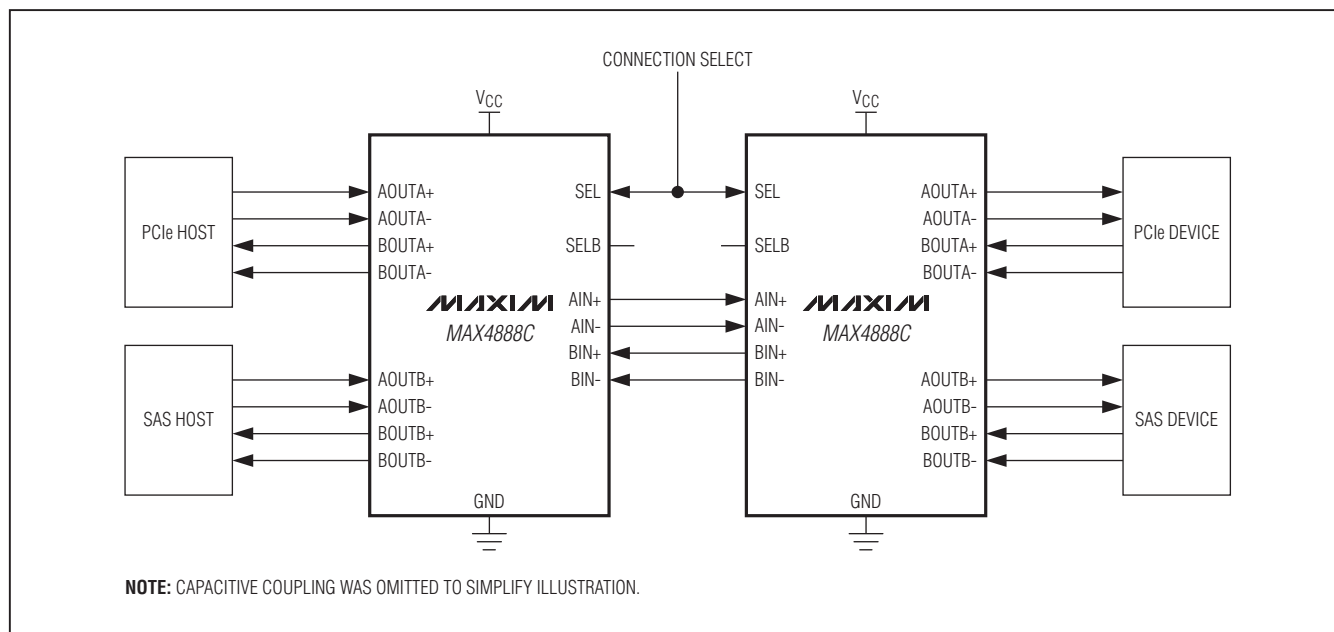
## Ordering Information

PART	TEMP RANGE	PIN-PACKAGE
MAX4888BETI+	-40°C to +85°C	28 TQFN-EP*
MAX4888CETI+	-40°C to +85°C	28 TQFN-EP*

+ Denotes a lead(Pb)-free/RoHS-compliant package.

\*EP = Exposed pad.

## Typical Operating Circuit



PCI Express is a registered trademark of PCI-SIG Corp.

# Up to 8.0Gbps Dual Passive Switches

## ABSOLUTE MAXIMUM RATINGS

(All voltages referenced to GND, unless otherwise noted.)

V <sub>CC</sub> .....	-0.3V to +4V
SEL, SELB, AIN+, AIN-, BIN+, BIN-, AOUTA+, AOUTA-, AOUTB+, AOUTB-, BOUTA+, BOUTA-, BOUTB+, BOUTB- (Note 1) ..	-0.3V to (V <sub>CC</sub> + 0.3V)
Continuous Current (AIN_ to AOUTA_/AOUTB_, BIN_ to BOUTA_/BOUTB_).....	±15mA
Peak Current (AIN_ to AOUTA_/AOUTB_, BIN_ to BOUTA_/BOUTB_) (pulsed at 1ms, 10% duty cycle) .....	±70mA

Continuous Current (SEL, SELB) .....	±10mA
Peak Current (SEL, SELB) (pulsed at 1ms, 10% duty cycle) .....	±10mA
Continuous Power Dissipation (TA = +70°C) TQFN (derate 28.6mW/°C above +70°C).....	2286mW
Operating Temperature Range .....	-40°C to +85°C
Junction Temperature .....	+150°C
Storage Temperature Range.....	-65°C to +150°C
Lead Temperature (soldering, 10s) .....	+300°C
Soldering Temperature (reflow) .....	+260°C

**Note 1:** Signals on SEL, SELB, AIN\_, BIN\_, AOUTA\_, AOUTB\_, BOUTA\_, and BOUTB\_ exceeding V<sub>CC</sub> or GND are clamped by internal diodes. Limit forward-diode current to maximum current rating.

## PACKAGE THERMAL CHARACTERISTICS (Note 2)

TQFN

Junction-to-Ambient Thermal Resistance (θ <sub>JA</sub> ) .....	35°C/W
Junction-to-Case Thermal Resistance (θ <sub>JC</sub> ) .....	2°C/W

**Note 2:** Package thermal resistances were obtained using the method described in JEDEC specification JESD51-7, using a four-layer board. For detailed information on package thermal considerations, refer to [www.maxim-ic.com/thermal-tutorial](http://www.maxim-ic.com/thermal-tutorial).

Stresses beyond those listed under “Absolute Maximum Ratings” may cause permanent damage to the device. These are stress ratings only, and functional operation of the device at these or any other conditions beyond those indicated in the operational sections of the specifications is not implied. Exposure to absolute maximum rating conditions for extended periods may affect device reliability.

## ELECTRICAL CHARACTERISTICS

(V<sub>CC</sub> = 3.3V ±10%, T<sub>A</sub> = -40°C to +85°C, unless otherwise noted. Typical values are at V<sub>CC</sub> = 3.3V, T<sub>A</sub> = +25°C, unless otherwise noted.) (Note 3)

PARAMETER	SYMBOL	CONDITIONS	MIN	TYP	MAX	UNITS
<b>DC PERFORMANCE</b>						
Analog-Signal Range	V <sub>INPUT</sub>	AIN_, BIN_, AOUTA_, BOUTA_, AOUTB_, BOUTB_	-0.3		V <sub>CC</sub> - 1.8	V
On-Resistance	R <sub>ON</sub>	V <sub>CC</sub> = +3.0V, I <sub>AIN_</sub> = I <sub>BIN_</sub> = 15mA, V <sub>_OUTA_</sub> = V <sub>_OUTB_</sub> = 0V, 1.2V		6.4	8.4	Ω
On-Resistance Match Between Channels	ΔR <sub>ON</sub>	V <sub>CC</sub> = +3.0V, I <sub>AIN_</sub> = I <sub>BIN_</sub> = 15mA, V <sub>_OUTA_</sub> = V <sub>_OUTB_</sub> = 0V (Note 4)		0.2	1.5	Ω
On-Resistance Flatness	R <sub>FLAT(ON)</sub>	V <sub>CC</sub> = +3.0V, I <sub>AIN_</sub> = I <sub>BIN_</sub> = 15mA, V <sub>_OUTA_</sub> = V <sub>_OUTB_</sub> = 0V, 1.2V (Note 5)		0.3	1	Ω
_OUTA_ or _OUTB_ Off-Leakage Current	I <sub>_OUTA_(OFF)</sub> , I <sub>_OUTB_(OFF)</sub>	V <sub>CC</sub> = +3.6V, V <sub>AIN_</sub> = V <sub>BIN_</sub> = 0V, 1.2V; V <sub>_OUTA_</sub> or V <sub>_OUTB_</sub> = 1.2V, 0V (MAX4888B)	-1		+1	μA
AIN_, BIN_ On-Leakage Current	I <sub>AIN_(ON)</sub> , I <sub>BIN_(ON)</sub>	V <sub>CC</sub> = +3.6V, V <sub>AIN_</sub> = V <sub>BIN_</sub> = 0V, 1.2V; V <sub>_OUTA_</sub> or V <sub>_OUTB_</sub> = V <sub>AIN_</sub> = V <sub>BIN_</sub> or unconnected (MAX4888B)	-1		+1	μA
Output Short-Circuit Current		All other ports are unconnected (MAX4888C)	5		15	μA
Output Open-Circuit Voltage		All other ports are unconnected (MAX4888C)	0.2	0.6	0.9	V

# Up to 8.0Gbps Dual Passive Switches

MAX4888B/MAX4888C

## ELECTRICAL CHARACTERISTICS (continued)

(V<sub>CC</sub> = 3.3V ±10%, T<sub>A</sub> = -40°C to +85°C, unless otherwise noted. Typical values are at V<sub>CC</sub> = 3.3V, T<sub>A</sub> = +25°C, unless otherwise noted.) (Note 3)

PARAMETER	SYMBOL	CONDITIONS	MIN	TYP	MAX	UNITS
<b>AC PERFORMANCE</b>						
Switch Turn-On Time	t <sub>ON_SEL</sub>	Z <sub>S</sub> = Z <sub>L</sub> = 50Ω		65		ns
Switch Turn-Off Time	t <sub>OFF_SEL</sub>	Z <sub>S</sub> = Z <sub>L</sub> = 50Ω, Figure 1, measured at 500MHz		7		ns
Propagation Delay	t <sub>PD</sub>	Z <sub>S</sub> = Z <sub>L</sub> = 50Ω, Figure 2, measured at 500MHz		43		ps
Output Skew Between Pairs	t <sub>SK1</sub>	Z <sub>S</sub> = Z <sub>L</sub> = 50Ω, Figure 2, measured at 500MHz		8		ps
Output Skew Between Same Pair	t <sub>SK2</sub>	Z <sub>S</sub> = Z <sub>L</sub> = 50Ω, Figure2		10		ps
Differential Return Loss (Note 6)	SDD11	0Hz < f ≤ 2.8GHz		-14		dB
		2.8GHz < f ≤ 5.0GHz		-8		
		5.0GHz < f ≤ 8.0GHz		-5		
		f > 8.0GHz		-1		
Differential Insertion Loss	SDD21	Table 1				dB
Bandwidth	SDD12/SDD21			8		GHz
Differential Crosstalk (Note 6)	SDDCTK	0Hz < f ≤ 2.5GHz		-30		dB
		2.5GHz < f ≤ 5.0GHz		-25		
		5.0GHz < f ≤ 8.0GHz		-35		
		f > 8.0GHz		-35		
Differential Off-Isolation (Note 6)	SDD21_OFF	0Hz < f ≤ 2.5GHz		-15		dB
		2.5GHz < f ≤ 5.0GHz		-12		
		5.0GHz < f ≤ 8.0GHz		-12		
		f > 8.0GHz		-12		
<b>CONTROL INPUT</b>						
Input Logic-High	V <sub>IH</sub>		1.4			V
Input Logic-Low	V <sub>IL</sub>				0.6	V
Input Logic Hysteresis	V <sub>HYST</sub>			130		mV
<b>POWER SUPPLY</b>						
Power-Supply Range	V <sub>CC</sub>		3.0		3.6	V
V <sub>CC</sub> Supply Current	I <sub>CC</sub>				1	mA

**Note 3:** All units are 100% production tested at T<sub>A</sub> = +85°C. Limits over the operating temperature range are guaranteed by design and characterization and are not production tested.

**Note 4:** ΔRON = RON(MAX) - RON(MIN).

**Note 5:** Flatness is defined as the difference between the maximum and minimum value of on-resistance as measured over the specified analog-signal range.

**Note 6:** Guaranteed by design; not production tested.

# Up to 8.0Gbps Dual Passive Switches

## Test Circuits/Timing Diagrams

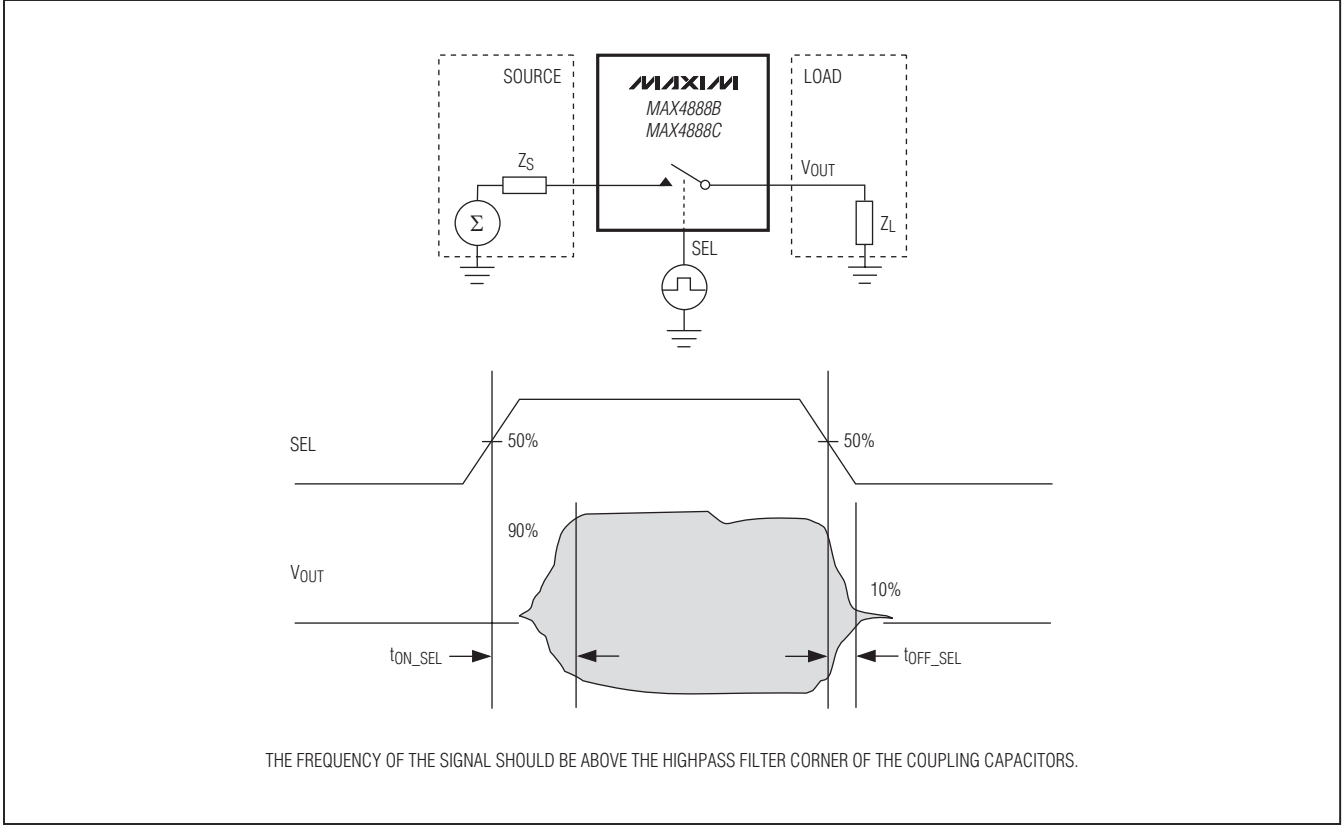


Figure 1. Switching Time

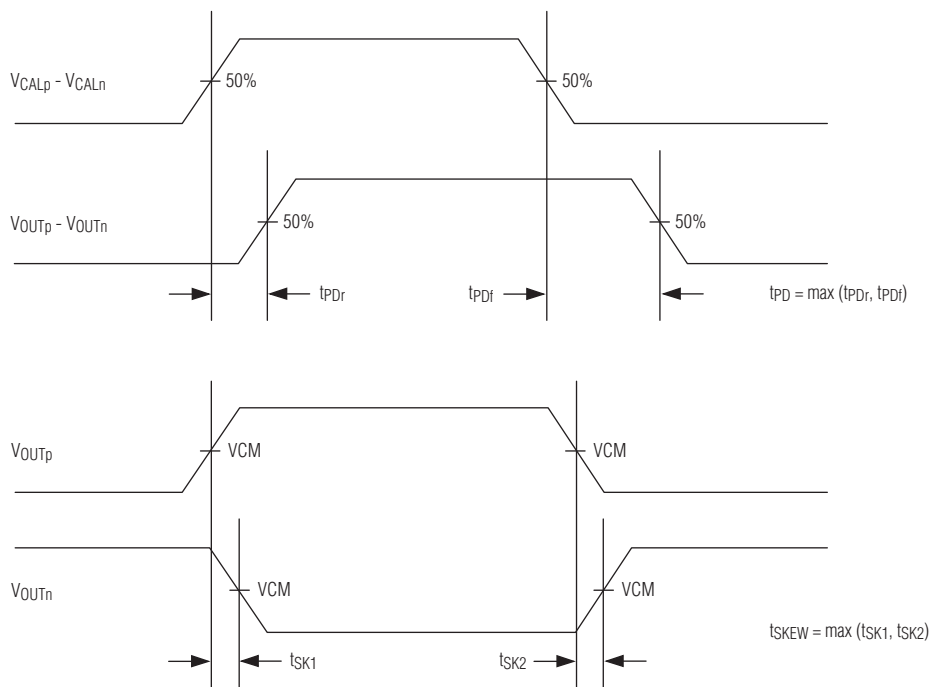
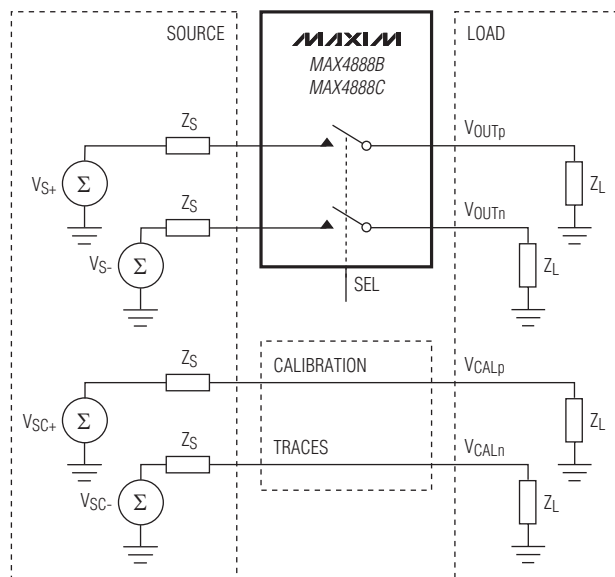
**Table 1. Insertion Loss Mask**

FREQUENCY RANGE (GHz)	MAXIMUM INSERTION LOSS (dB)
0 to 2.5	$1/3 \times f_{\text{GHz}} + 17/30$
2.5 to 5	$2/5 \times f_{\text{GHz}} - 2/5$
5 to 8	$18/5 \times f_{\text{GHz}} - 4/15$
Greater than 8	$2 \times f_{\text{GHz}} - 12$

# Up to 8.0Gbps Dual Passive Switches

## Test Circuits/Timing Diagrams (continued)

**MAX4888B/MAX4888C**



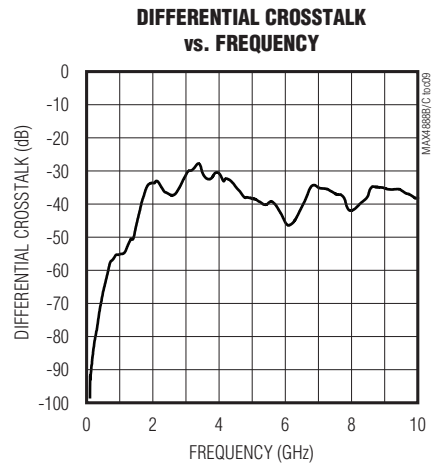
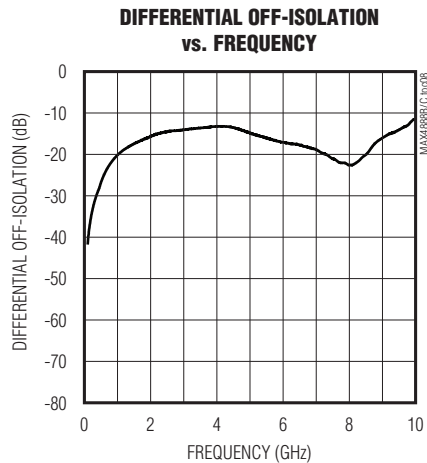
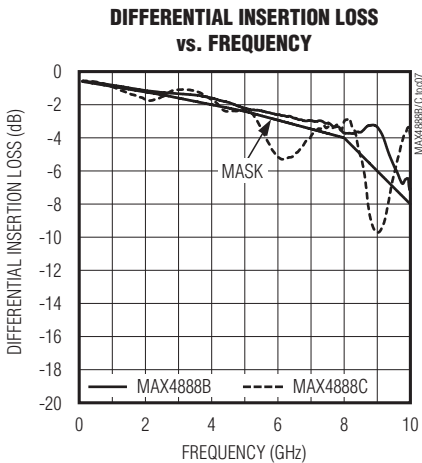
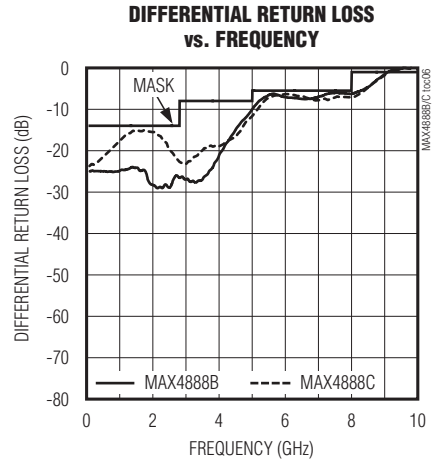
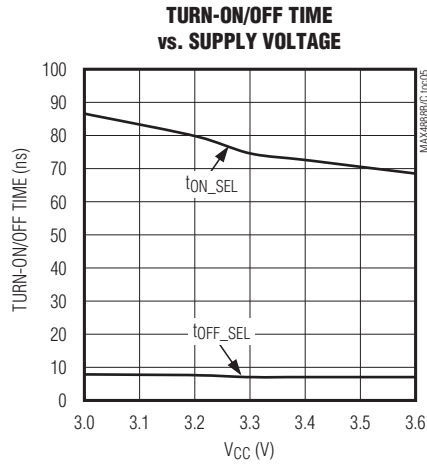
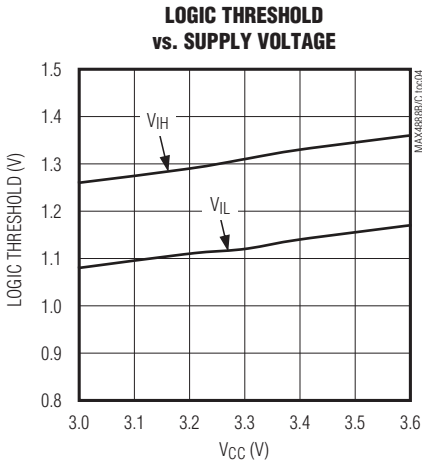
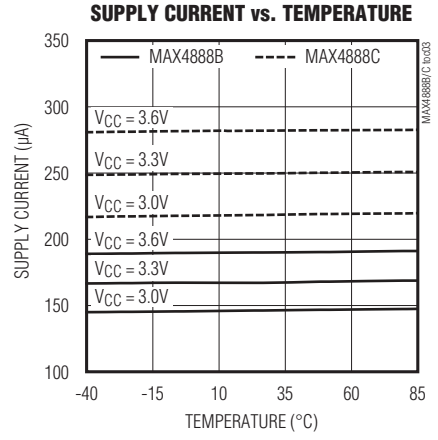
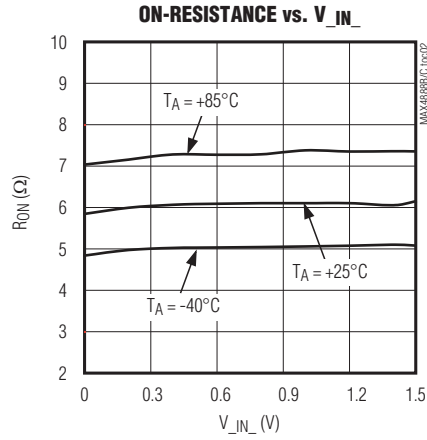
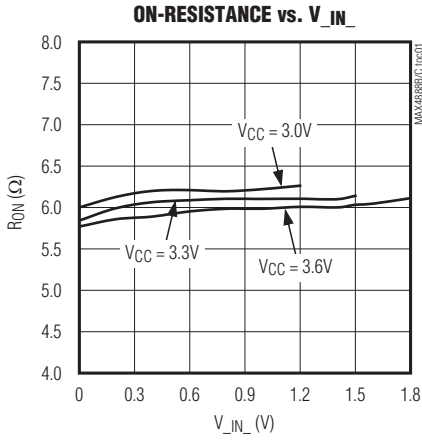
AFTER ELIMINATING SOURCE AND CABLE SKEWS.

Figure 2. Propagation Delay and Output Skew

# Up to 8.0Gbps Dual Passive Switches

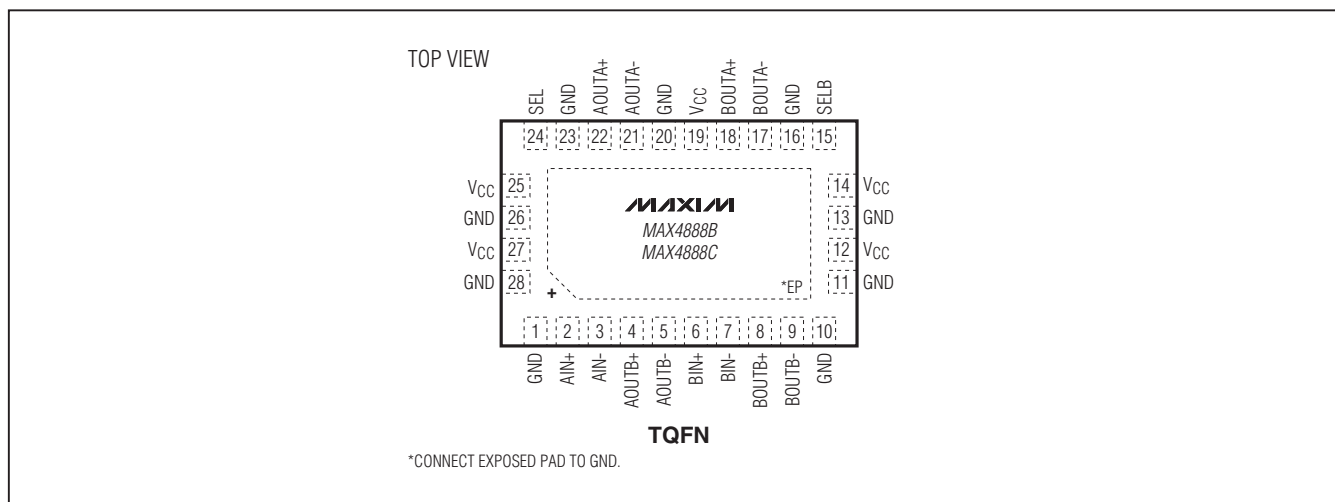
## Typical Operating Characteristics

( $V_{CC} = 3.3V$ ,  $T_A = +25^\circ C$ , unless otherwise noted.)



# Up to 8.0Gbps Dual Passive Switches

## Pin Configuration



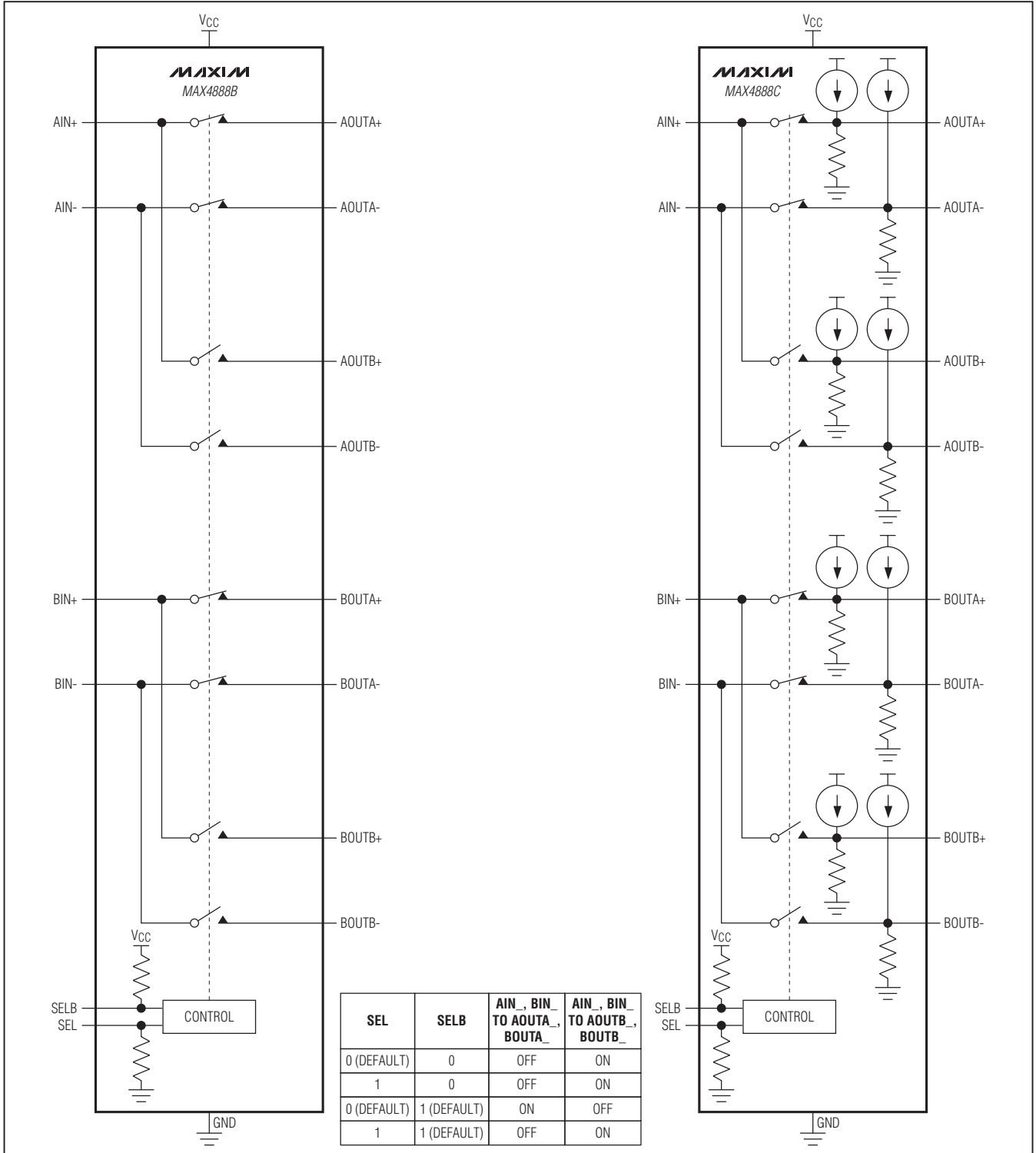
## Pin Description

PIN	NAME	FUNCTION
1, 10, 11, 13, 16, 20, 23, 26, 28	GND	Ground
2	AIN+	Analog Switch 1, Common Positive Terminal
3	AIN-	Analog Switch 1, Common Negative Terminal
4	AOUTB+	Analog Switch 1, Normally Open Positive Terminal
5	AOUTB-	Analog Switch 1, Normally Open Negative Terminal
6	BIN+	Analog Switch 2, Common Positive Terminal
7	BIN-	Analog Switch 2, Common Negative Terminal
8	BOUTB+	Analog Switch 2, Normally Open Positive Terminal
9	BOUTB-	Analog Switch 2, Normally Open Negative Terminal
12, 14, 19, 25, 27	VCC	Positive Supply-Voltage Input. Connect VCC to a 3.0V to 3.6V supply voltage. Bypass VCC to GND with a 0.1µF ceramic capacitor placed as close as possible to the device. See the <i>Board Layout</i> section.
15	SELB	Control Signal Input. SELB has a 70kΩ (typ) pullup resistor to VCC. If SELB is not in use, leave unconnected.
17	BOUTA-	Analog Switch 2, Normally Closed Negative Terminal
18	BOUTA+	Analog Switch 2, Normally Closed Positive Terminal
21	AOUTA-	Analog Switch 1, Normally Closed Negative Terminal
22	AOUTA+	Analog Switch 1, Normally Closed Positive Terminal
24	SEL	Control Signal Input. SEL has a 70kΩ (typ) pulldown resistor to GND.
—	EP	Exposed Pad. Connect EP to GND.

**MAX4888B/MAX4888C**

# Up to 8.0Gbps Dual Passive Switches

## Functional Diagram/Truth Table



# Up to 8.0Gbps Dual Passive Switches

MAX4888B/MAX4888C

## Detailed Description

The MAX4888B high-speed passive switch routes high-speed differential signals such as PCIe, SAS, SATA, and XAUI from one source to two possible destinations or vice versa. The MAX4888B is ideal for routing PCIe signals to change the system configuration. The MAX4888C features a 10 $\mu$ A (typ) source current and a 60k $\Omega$  (typ) internal biasing resistor to GND at the AOUTA\_, BOUTA\_, AOUTB\_, and BOUTB\_ terminals. The MAX4888C is ideal for circuits that are capacitively coupled at both the output and input. These devices are protocol independent and can be used to switch two different protocol signals over the same physical lane. They feature dual digital control inputs (SEL, SELB) to switch signal paths. SEL has a 70k $\Omega$  (typ) pulldown resistor to GND and SELB has a 70k $\Omega$  (typ) pullup resistor to VCC.

These devices are fully specified to operate from a single 3.0V to 3.6V power supply.

### Digital Control Input (SEL, SELB)

The devices provide dual digital control inputs (SEL, SELB) to select the signal path between the AIN\_, BIN\_ and AOUTA\_, BOUTA\_ or AOUTB\_, BOUTB\_ channels. In most cases SEL is chosen and SELB is unconnected. The truth table for the devices is depicted in the *Functional Diagram/Truth Table*. SEL has a 70k $\Omega$  (typ) pulldown resistor to GND and SELB has a 70k $\Omega$  (typ) pullup resistor to VCC.

### Analog-Signal Levels

The devices accept signals from -0.3V to (VCC - 1.8V). Signals on the AIN+ and BIN+ channels are routed to either the AOUTA+, BOUTA+ or AOUTB+, BOUTB+ channels. Signals on the AIN- and BIN- channels are routed to either the AOUTA-, BOUTA- or AOUTB-, BOUTB- channels. The devices are bidirectional switches, allowing AIN\_, BIN\_ and AOUTA\_, BOUTA\_, AOUTB\_, and BOUTB\_ to be used as either inputs or outputs.

## Applications Information

### High-Speed Switching

The devices' primary applications are aimed at sharing resources. For example, a single lane of PCIe or SAS can be shared between a single host and two devices. This could be used for redundancy or to share resources such as a physical lane or route a lane between one host and two devices or two hosts and one device.

### Board Layout

High-speed switches require proper layout and design procedures for optimum performance. Keep controlled impedance PCB traces as short as possible or follow impedance layouts per the PCIe specification. Ensure that power-supply bypass capacitors are placed as close as possible to the device. Multiple bypass capacitors are recommended. Connect all grounds and the exposed pad to a large ground plane.

## Chip Information

PROCESS: CMOS

## Package Information

For the latest package outline information and land patterns, go to [www.maxim-ic.com/packages](http://www.maxim-ic.com/packages). Note that a "+", "#", or "-" in the package code indicates RoHS status only. Package drawings may show a different suffix character, but the drawing pertains to the package regardless of RoHS status.

PACKAGE TYPE	PACKAGE CODE	OUTLINE NO.	LAND PATTERN NO.
28 TQFN-EP	T283555+1	<a href="#">21-0184</a>	<a href="#">90-0123</a>

# Up to 8.0Gbps Dual Passive Switches

## Revision History

REVISION NUMBER	REVISION DATE	DESCRIPTION	PAGES CHANGED
0	12/10	Initial release	—

Maxim cannot assume responsibility for use of any circuitry other than circuitry entirely embodied in a Maxim product. No circuit patent licenses are implied. Maxim reserves the right to change the circuitry and specifications without notice at any time.

10 **Maxim Integrated Products, 120 San Gabriel Drive, Sunnyvale, CA 94086 408-737-7600**

## Looking for pricing, stock, or lifecycle information?

Click below to explore more details on WIN SOURCE:

- ⊖ [View MAX4888CETI+T on WIN SOURCE](#)
- ⊖ [Maxim Integrated Information](#)

## Optimize Your Supply Chain with WIN SOURCE Solutions

- ✓ Global Sourcing Solution
- ✓ Obsolete Management
- ✓ Cost Control Management
- ✓ Shortage Management
- ✓ Alternative Solution
- ✓ Excess Inventory Management