



**THE DATASHEET OF  
MAX4564EKA+T**



## Low-Voltage, Dual-Supply, SPDT Analog Switch with Enable

### General Description

The MAX4564 is a low-voltage, dual-supply, single-pole/double-throw (SPDT) analog switch designed to operate from dual  $\pm 1.8\text{V}$  to  $\pm 6\text{V}$  or single  $+1.8\text{V}$  to  $+12\text{V}$  supplies. The low on-resistance ( $R_{ON} = 40\Omega$  at  $\pm 5\text{V}$ ) and low power consumption ( $5\mu\text{W}$ ) make this part ideal for audio, video, and battery-powered applications. This switch offers low leakage currents ( $1\text{nA}$  max) and fast switching speeds ( $t_{ON} = 60\text{ns}$  and  $t_{OFF} = 40\text{ns}$  at  $\pm 5\text{V}$ , max).

The MAX4564 is available in 8-pin SOT23 and  $\mu\text{MAX}^{\text{®}}$  packages.

### Applications

Battery-Operated Systems  
 Audio and Video Switching  
 Test Equipment  
 Communications Circuits  
 Sample-and-Hold Circuits  
 Communications Systems

### Features

- ◆ **60 $\Omega$  max (40 $\Omega$ , typ) On-Resistance ( $R_{ON}$ )**
- ◆ **3 $\Omega$  max (0.75 $\Omega$ , typ)  $R_{ON}$  Matching Between Channels**
- ◆ **10 $\Omega$  (max)  $R_{ON}$  Flatness**
- ◆ **Low Charge Injection: 3pC (typ)**
- ◆ **Low  $\pm 1\text{nA}$  Leakage Current at  $+25^{\circ}\text{C}$**
- ◆ **Fast Switching**  
 $t_{ON} = 60\text{ns}$  (max)  
 $t_{OFF} = 40\text{ns}$  (max)
- ◆ **Guaranteed Break-Before-Make Switching**
- ◆ **TTL/CMOS-Logic Compatible**
- ◆ **Low Crosstalk: -72dB (1MHz)**
- ◆ **High Off-Isolation: -77dB (1MHz)**
- ◆ **Bandwidth -3dB: >450MHz (typ)**
- ◆ **Available in an 8-Pin SOT23 Package**

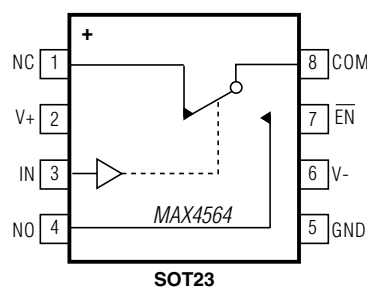
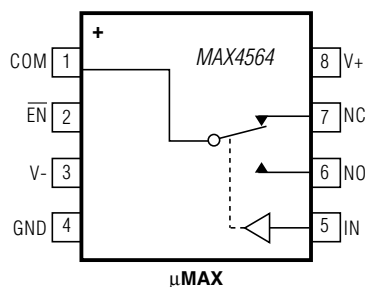
### Ordering Information

PART	TEMP RANGE	PIN PACKAGE	TOP MARK
MAX4564EKA+	-40 $^{\circ}\text{C}$ to +85 $^{\circ}\text{C}$	8 SOT23	AAEI
MAX4564EUA+	-40 $^{\circ}\text{C}$ to +85 $^{\circ}\text{C}$	8 $\mu\text{MAX}$	—

+Denotes a lead(Pb)-free/RoHS-compliant package.  
 T = Tape and reel.

$\mu\text{MAX}$  is a registered trademark of Maxim Integrated Products, Inc.

### Functional Diagrams/Pin Configurations/Truth Table



$\overline{\text{EN}}$	IN	NC	NO
0	0	ON	OFF
0	1	OFF	ON
1	X	OFF	OFF

X = Don't care

**For pricing, delivery, and ordering information, please contact Maxim Direct at 1-888-629-4642, or visit Maxim's website at [www.maximintegrated.com](http://www.maximintegrated.com).**

# MAX4564

## Low-Voltage, Dual-Supply, SPDT Analog Switch with Enable

### ABSOLUTE MAXIMUM RATINGS

(Voltages Referenced to GND)

V+	.....-0.3V to +13V	Continuous Power Dissipation (T <sub>A</sub> = +70°C)	
V-	.....-13V to +0.3V	SOT23 (derate 5.6mW/°C above +70°C)	.....444.4mW
V+ to V-	.....-0.3V to +13V	μMAX (derate 4.5mW/°C above +70°C)	.....362mW
EN, IN, COM, NC, NO (Note 1)	..... (V- - 0.3V) to (V+ + 0.3V)	Operating Temperature Range	
Continuous Current (any terminal)	..... ±20mA	MAX4564E_A	.....-40°C to +85°C
Peak Current, COM, NC, NO		Junction Temperature	.....+150°C
(pulsed at 1ms, 10% duty cycle)	..... ±30mA	Storage Temperature Range	.....-65°C to +150°C
ESD per Method 3015.7	..... >2kV	Lead Temperature (soldering, 10s)	.....+300°C
		Soldering Temperature (reflow)	.....+260°C

**Note 1:** Signals on NO, NC, COM, IN, or EN exceeding V+ or V- are clamped by internal diodes. Limit forward-diode current to maximum current rating.

Stresses beyond those listed under "Absolute Maximum Ratings" may cause permanent damage to the device. These are stress ratings only, and functional operation of the device at these or any other conditions beyond those indicated in the operational sections of the specifications is not implied. Exposure to absolute maximum rating conditions for extended periods may affect device reliability.

### ELECTRICAL CHARACTERISTICS—±5V Supply

(V+ = +4.5V to +6V, V- = -4.5V to -6V, V<sub>IH</sub> = +2.4V, V<sub>IL</sub> = +0.8V, GND = 0, T<sub>A</sub> = T<sub>MIN</sub> to T<sub>MAX</sub>, unless otherwise noted. Typical values are at T<sub>A</sub> = +25°C.) (Notes 2, 3)

PARAMETER	SYMBOL	CONDITIONS	T <sub>A</sub>	MIN	TYP	MAX	UNITS
<b>ANALOG SWITCH</b>							
Analog Signal Range	V <sub>COM</sub> , V <sub>NO</sub> , V <sub>NC</sub>			V-		V+	V
On-Resistance	R <sub>ON</sub>	V+ = +4.5V, V- = -4.5V, I <sub>COM</sub> = 1mA; V <sub>NO</sub> , V <sub>NC</sub> = ±3.5V	+25°C	40	60		Ω
			E		100		
On-Resistance Match Between Channels (Note 4)	ΔR <sub>ON</sub>	V+ = +4.5V, V- = -4.5V, I <sub>COM</sub> = 1mA; V <sub>NO</sub> , V <sub>NC</sub> = ±3.5V	+25°C	0.75	3		Ω
			E		4		
On-Resistance Flatness (Note 5)	R <sub>FLAT(ON)</sub>	V+ = +4.5V, V- = -4.5V, I <sub>COM</sub> = 1mA; V <sub>NO</sub> , V <sub>NC</sub> = -3.5V, 0, +3.5V	+25°C	6.5	10		Ω
			E		13		
NO or NC Off-Leakage Current	I <sub>NC(OFF)</sub> or I <sub>NO(OFF)</sub>	V+ = +5.5V, V- = -5.5V; V <sub>COM</sub> = +4.5V, -4.5V; V <sub>NO</sub> , V <sub>NC</sub> = -4.5, +4.5V	+25°C	-1	0.05	1	nA
			E	-5		5	
COM Off-Leakage Current	I <sub>COM(OFF)</sub>	V+ = +5.5V, V- = -5.5V; V <sub>COM</sub> = +4.5V, -4.5V; V <sub>NO</sub> , V <sub>NC</sub> = -4.5, +4.5V	+25°C	-1	0.05	1	nA
			E	-5		5	
COM On-Leakage Current	I <sub>COM(ON)</sub>	V+ = +5.5V, V- = -5.5V, V <sub>COM</sub> = +4.5V, -4.5V; V <sub>NO</sub> , V <sub>NC</sub> = +4.5V, -4.5V, or unconnected	+25°C	-2	0.05	2	nA
			E	-10		10	

# MAX4564

## Low-Voltage, Dual-Supply, SPDT Analog Switch with Enable

### ELECTRICAL CHARACTERISTICS—±5V Supply (continued)

(V+ = +4.5V to +6V, V- = -4.5V to -6V, V<sub>IH</sub> = +2.4V, V<sub>IL</sub> = +0.8V, GND = 0, T<sub>A</sub> = T<sub>MIN</sub> to T<sub>MAX</sub>, unless otherwise noted. Typical values are at T<sub>A</sub> = +25°C.) (Notes 2, 3)

PARAMETER	SYMBOL	CONDITIONS	T <sub>A</sub>	MIN	TYP	MAX	UNITS
<b>SWITCH DYNAMIC CHARACTERISTICS</b>							
Turn-On Time	t <sub>ON</sub>	V <sub>NO</sub> , V <sub>NC</sub> = +3V, -3V, R <sub>L</sub> = 1kΩ, C <sub>L</sub> = 35pF	+25°C	40	60	ns	
			E	75			
Turn-Off Time	t <sub>OFF</sub>	V <sub>NO</sub> , V <sub>NC</sub> = +3V, -3V, R <sub>L</sub> = 1kΩ, C <sub>L</sub> = 35pF	+25°C	28	40	ns	
			E	50			
Transition Time	t <sub>TRANS</sub>	V <sub>NC</sub> = +3V, V <sub>NO</sub> = -3V, V <sub>NC</sub> = -3V, V <sub>NO</sub> = +3V, R <sub>L</sub> = 1kΩ, C <sub>L</sub> = 35pF	+25°C	50	70	ns	
			E	85			
Break-Before-Make Time (Note 6)	t <sub>BBM</sub>	V <sub>NO</sub> , V <sub>NC</sub> = +3V, -3V, R <sub>L</sub> = 300Ω, C <sub>L</sub> = 35pF	+25°C	5	15	ns	
Charge Injection	Q	V <sub>GEN</sub> = 0, R <sub>GEN</sub> = 0, C <sub>L</sub> = 100pF	+25°C		3	pC	
-3dB Bandwidth	f <sub>-3dB</sub>	R <sub>L</sub> = 50Ω, C <sub>L</sub> = 10pF, f <sub>0dB</sub> = 1MHz	+25°C		450	MHz	
Off-Isolation (Note 7)	V <sub>ISO</sub>	R <sub>L</sub> = 50Ω, C <sub>L</sub> = 10pF, f <sub>IN</sub> = 1MHz	+25°C		-77	dB	
Crosstalk (Control Input to Signal Output)		R <sub>L</sub> = 50Ω, C <sub>L</sub> = 10pF, V+ = +4.5V, V- = -4.5V, f <sub>IN</sub> = 1MHz, V <sub>EN</sub> = V <sub>IH</sub>	+25°C		68	mV	
Crosstalk (Between Switches)	V <sub>CT</sub>	R <sub>L</sub> = 50Ω, C <sub>L</sub> = 10pF, f <sub>IN</sub> = 1MHz	+25°C		-72	dB	
Total Harmonic Distortion	THD	R <sub>L</sub> = 600kΩ, C <sub>L</sub> = 50pF, f <sub>IN</sub> = 20kHz	+25°C		0.15	%	
Control Input Capacitance	C <sub>IN</sub>				3	pF	
NO or NC Off-Capacitance	C <sub>OFF</sub>	f <sub>IN</sub> = 1MHz	+25°C		6	pF	
COM Off-Capacitance	C <sub>COM(OFF)</sub>	f <sub>IN</sub> = 1MHz	+25°C		8	pF	
COM On-Capacitance	C <sub>COM(ON)</sub>	f <sub>IN</sub> = 1MHz	+25°C		14	pF	
<b>LOGIC INPUT</b>							
Input Voltage Low	V <sub>IL</sub>					0.8	V
Input Voltage High	V <sub>IH</sub>			2.4			V
Input Leakage Current	I <sub>L</sub>	V+ = +5.5V, V- = -5.5V, V <sub>IN</sub> = V <sub>EN</sub> = 0 or +5.5V	+25°C	-1	0.0001	1	μA
			E	-10	10		
<b>POWER SUPPLY</b>							
Power-Supply Range	V+			2		6	V
	V-			-2		-6	
Positive Supply Current	I+	V+ = +5.5V, V- = -5.5V, V <sub>IN</sub> = V <sub>EN</sub> = 0 or +5.5V	+25°C	-1	0.0001	1	μA
			E	-10	10		
Negative Supply Current	I-	V+ = +5.5V, V- = -5.5V, V <sub>IN</sub> = V <sub>EN</sub> = 0 or +5.5V	+25°C	-1	0.0001	1	μA
			E	-10	10		

# MAX4564

## Low-Voltage, Dual-Supply, SPDT Analog Switch with Enable

MAX4564

### ELECTRICAL CHARACTERISTICS—Single +5V Supply

(V+ = +4.5V to +6V, V- = 0, V<sub>IH</sub> = +2.4V, V<sub>IL</sub> = +0.8V, GND = 0, T<sub>A</sub> = T<sub>MIN</sub> to T<sub>MAX</sub>, unless otherwise noted. Typical values are at T<sub>A</sub> = +25°C.) (Notes 2, 3)

PARAMETER	SYMBOL	CONDITIONS	T <sub>A</sub>	MIN	TYP	MAX	UNITS
<b>ANALOG SWITCH</b>							
Analog Signal Range	V <sub>COM</sub> , V <sub>NO</sub> , V <sub>NC</sub>			0		V+	V
On-Resistance	R <sub>ON</sub>	V+ = +4.5V, V- = 0, I <sub>COM</sub> = 1mA; V <sub>NO</sub> , V <sub>NC</sub> = +3.5 V	+25°C		72	100	Ω
			E			125	
On-Resistance Match Between Channels (Note 4)	ΔR <sub>ON</sub>	V+ = +4.5V, V- = 0, I <sub>COM</sub> = 1mA; V <sub>NO</sub> , V <sub>NC</sub> = +3.5 V	+25°C		0.75	5	Ω
			E			7	
<b>SWITCH DYNAMIC CHARACTERISTICS</b>							
Turn-On Time	t <sub>ON</sub>	V <sub>NO</sub> , V <sub>NC</sub> = +3V, R <sub>L</sub> = 1kΩ, C <sub>L</sub> = 35pF	+25°C		62	90	ns
			E			125	
Turn-Off Time	t <sub>OFF</sub>	V <sub>NO</sub> , V <sub>NC</sub> = +3V, R <sub>L</sub> = 1kΩ, C <sub>L</sub> = 35pF	+25°C		22	60	ns
			E			75	
Transition Time	t <sub>TRANS</sub>	V <sub>NC</sub> = +3V, V <sub>NO</sub> = 0, V <sub>NC</sub> = 0, V <sub>NO</sub> = +3V, R <sub>L</sub> = 1kΩ, C <sub>L</sub> = 35pF	+25°C		68	100	ns
			E			130	
Break-Before-Make Time (Note 6)	t <sub>BBM</sub>	V <sub>NO</sub> , V <sub>NC</sub> = +3V, R <sub>L</sub> = 300Ω, C <sub>L</sub> = 35pF	E	10	35		ns
<b>LOGIC INPUT</b>							
Input Voltage Low	V <sub>IL</sub>					0.8	V
Input Voltage High	V <sub>IH</sub>			2.4			V
Input Leakage Current	I <sub>L</sub>	V+ = +5.5V, V- = 0, V <sub>IN</sub> = V <sub>EN</sub> = 0 or +5.5V	+25°C	-1	0.0001	1	μA
			E	-10		10	
<b>POWER SUPPLY</b>							
Power-Supply Range	V+			1.8		12	V
Positive Supply Current	I+	V+ = +5.5V, V- = 0, V <sub>IN</sub> = V <sub>EN</sub> = 0 or +5.5V	+25°C	-1	0.0001	1	μA
			E	-10		10	
Negative Supply Current	I-	V+ = +5.5V, V- = 0, V <sub>IN</sub> = V <sub>EN</sub> = 0 or +5.5V	+25°C	-1	0.0001	1	μA
			E	-10		10	

# MAX4564

## Low-Voltage, Dual-Supply, SPDT Analog Switch with Enable

### ELECTRICAL CHARACTERISTICS—Single +3V Supply

(V+ = +2.7V to +3.3V, V- = 0, V<sub>IH</sub> = +2.4V, V<sub>IL</sub> = +0.8V, GND = 0, T<sub>A</sub> = T<sub>MIN</sub> to T<sub>MAX</sub>, unless otherwise noted. Typical values are at T<sub>A</sub> = +25°C.) (Notes 2, 3)

PARAMETER	SYMBOL	CONDITIONS	T <sub>A</sub>	MIN	TYP	MAX	UNITS
<b>ANALOG SWITCH</b>							
Analog Signal Range	V <sub>COM</sub> , V <sub>NO</sub> , V <sub>NC</sub>			0		V+	V
On-Resistance	R <sub>ON</sub>	V+ = +2.7V, V- = 0, I <sub>COM</sub> = 1mA; V <sub>NO</sub> , V <sub>NC</sub> = +1.5V	+25°C		160	275	Ω
			E			300	
On-Resistance Match Between Channels (Note 4)	ΔR <sub>ON</sub>	V+ = +2.7V, V- = 0, I <sub>COM</sub> = 1mA; V <sub>NO</sub> , V <sub>NC</sub> = +1.5V	+25°C		1.5	10	Ω
			E			12	
<b>SWITCH DYNAMIC CHARACTERISTICS</b>							
Turn-On Time	t <sub>ON</sub>	V <sub>NO</sub> , V <sub>NC</sub> = +1.5V, R <sub>L</sub> = 2kΩ, C <sub>L</sub> = 35pF	+25°C		120	250	ns
			E			275	
Turn-Off Time	t <sub>OFF</sub>	V <sub>NO</sub> , V <sub>NC</sub> = +1.5V, R <sub>L</sub> = 2kΩ, C <sub>L</sub> = 35pF	+25°C		40	110	ns
			E			125	
Break-Before-Make Time (Note 6)	t <sub>BBM</sub>	V <sub>NO</sub> , V <sub>NC</sub> = +1.5V, R <sub>L</sub> = 2kΩ, C <sub>L</sub> = 35pF	E	10			ns
<b>LOGIC INPUT</b>							
Input Voltage Low	V <sub>IL</sub>					0.8	V
Input Voltage High	V <sub>IH</sub>			2.4			V
Input Leakage Current	I <sub>L</sub>	V+ = +3.3V, V- = 0, V <sub>IN</sub> = V <sub>EN</sub> = 0 or +3.3V	+25°C	-1	0.0001	1	μA
			E	-10		10	

**Note 2:** The algebraic convention is used in this data sheet; the most negative value is shown in the minimum column.

**Note 3:** SOT-packaged products are 100% tested at +25°C and guaranteed by design at the full-rated temperature.

**Note 4:** ΔR<sub>ON</sub> = R<sub>ON</sub>(MAX) - R<sub>ON</sub>(MIN).

**Note 5:** Flatness is defined as the difference between the maximum and minimum value of on-resistance as measured over the specified analog signal ranges.

**Note 6:** Guaranteed by design.

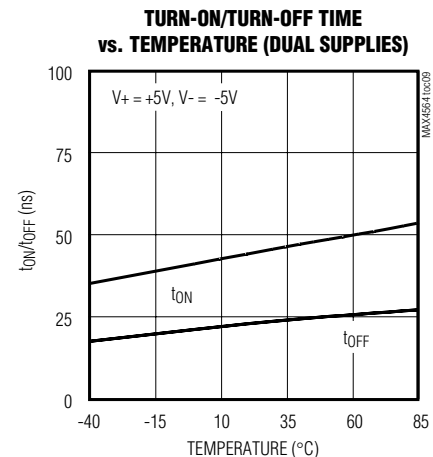
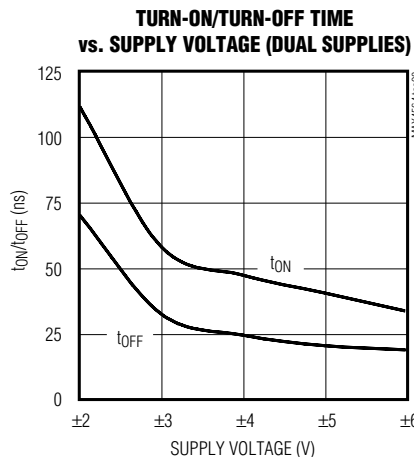
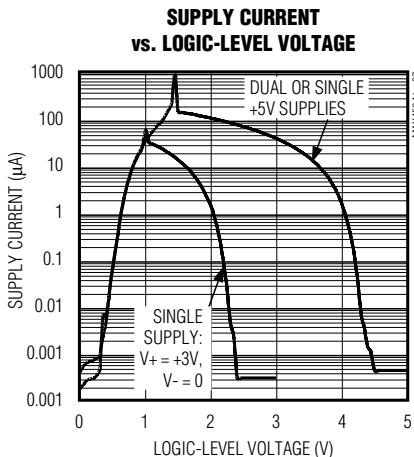
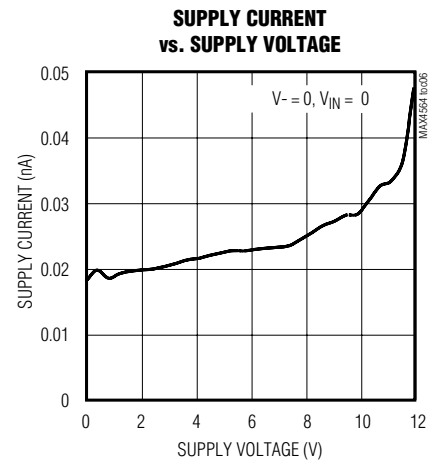
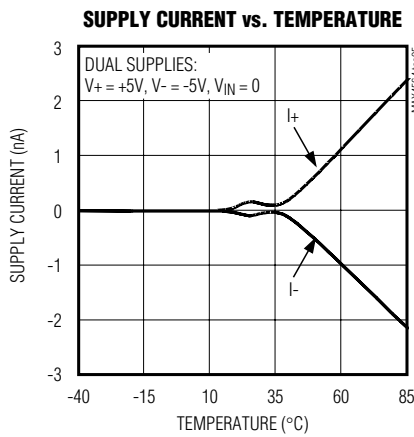
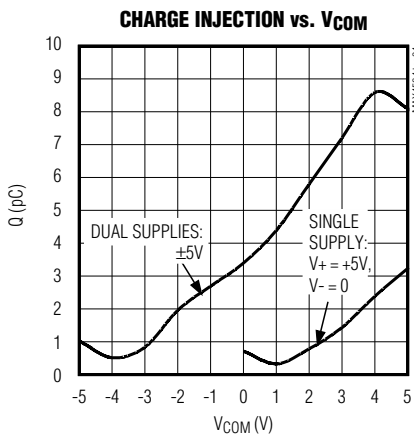
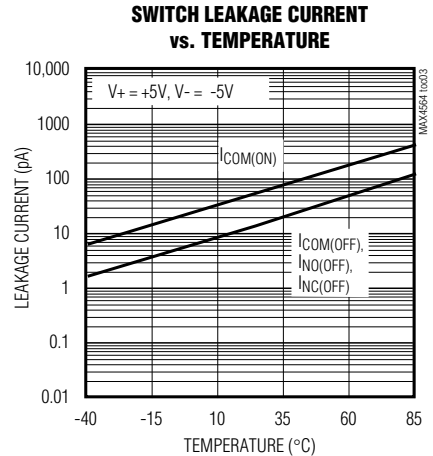
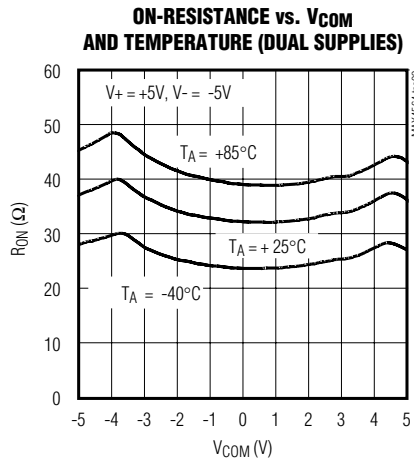
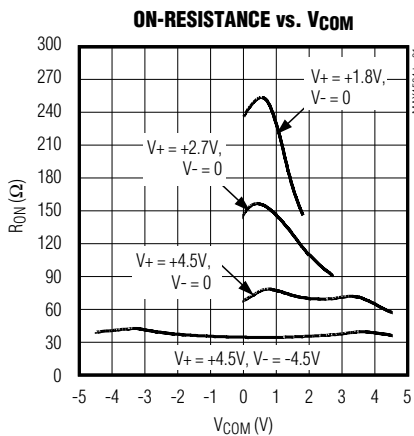
**Note 7:** Off-Isolation = 20log<sub>10</sub> (V<sub>COM</sub> / V<sub>NO</sub>), V<sub>NO</sub> = input to off switch.

# MAX4564

## Low-Voltage, Dual-Supply, SPDT Analog Switch with Enable

### Typical Operating Characteristics

( $T_A = +25^\circ\text{C}$ , unless otherwise noted.)

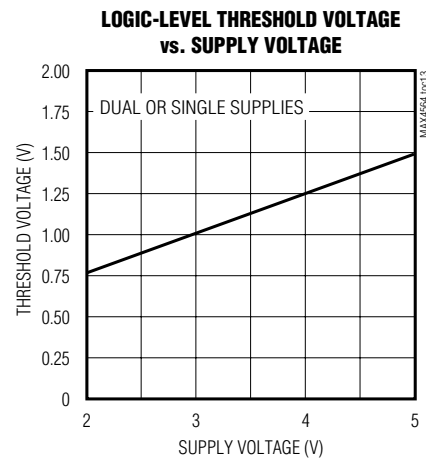
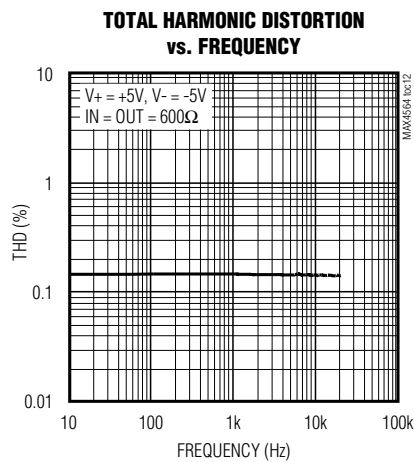
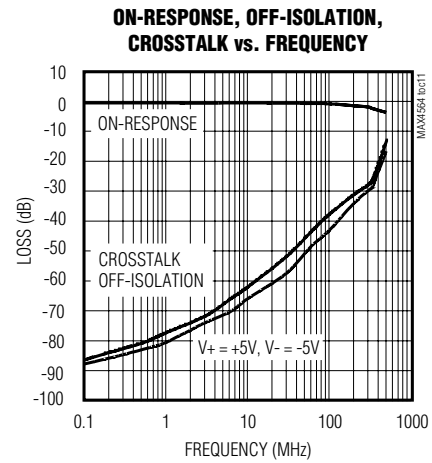
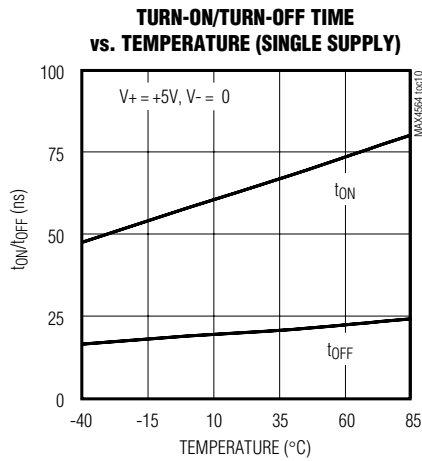


# MAX4564

## Low-Voltage, Dual-Supply, SPDT Analog Switch with Enable

### Typical Operating Characteristics (continued)

( $T_A = +25^\circ\text{C}$ , unless otherwise noted.)



# MAX4564

## Low-Voltage, Dual-Supply, SPDT Analog Switch with Enable

### Pin Description

$\mu$ MAX	SOT23	NAME	FUNCTION
1	8	COM	Analog Switch Common
2	7	$\overline{\text{EN}}$	Device Enable. Drive $\overline{\text{EN}}$ low for normal SPDT switch operation. If $\overline{\text{EN}}$ is high, both NO and NC are disconnected.
3	6	V-	Negative Supply Voltage
4	5	GND	Ground
5	3	IN	Digital Control Input
6	4	NO	Analog Switch Normally Open
7	1	NC	Analog Switch Normally Closed
8	2	V+	Positive Supply Voltage

### Detailed Description

The MAX4564 is a dual-supply SPDT CMOS analog switch. The MAX4564 has break-before-make switching. The CMOS switch construction provides Rail-to-Rail<sup>®</sup> signal handling while consuming virtually no power. Each of the two switches is independently controlled by a TTL/CMOS-level-compatible digital input.

### Applications Information

#### Overvoltage Protection

Do not exceed the absolute maximum ratings because stresses beyond the listed ratings may cause permanent damage to the device. Proper power-supply sequencing is recommended for all CMOS devices. Always sequence V+ on first, then V-, followed by the logic inputs NO, NC, or COM. If power-supply sequencing is not possible, add two small-signal diodes (D1, D2) in series with supply pins. Adding diodes reduces the analog signal range to one diode drop below V+ and one diode drop above V-, but does not affect the device's low switch resistance and low leakage characteristics.

### Test Circuits/ Timing Diagrams

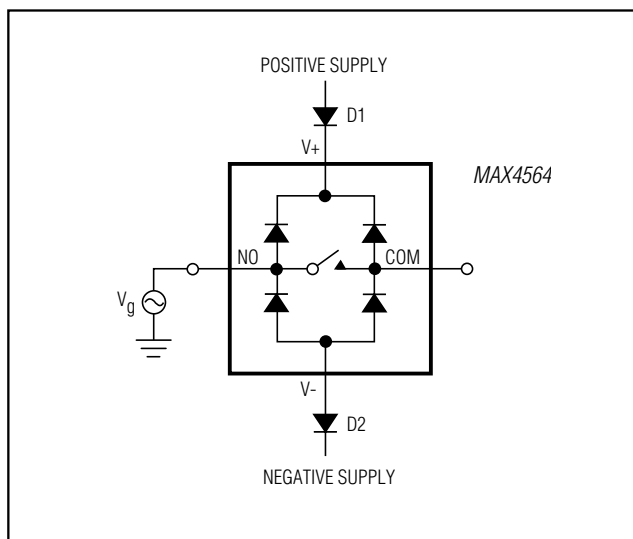


Figure 1. Overvoltage Protection Using Two External Blocking Diodes

Rail-to-Rail is a registered trademark of Nippon Motorola, Ltd.

# MAX4564

## Low-Voltage, Dual-Supply, SPDT Analog Switch with Enable

### Test Circuits/Timing Diagrams (continued)

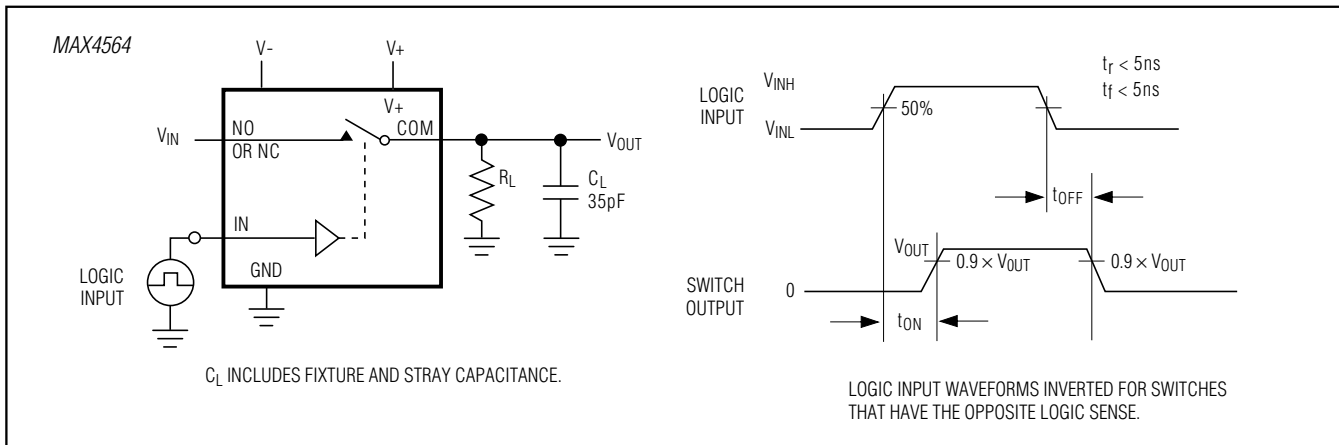


Figure 2. Switching Time

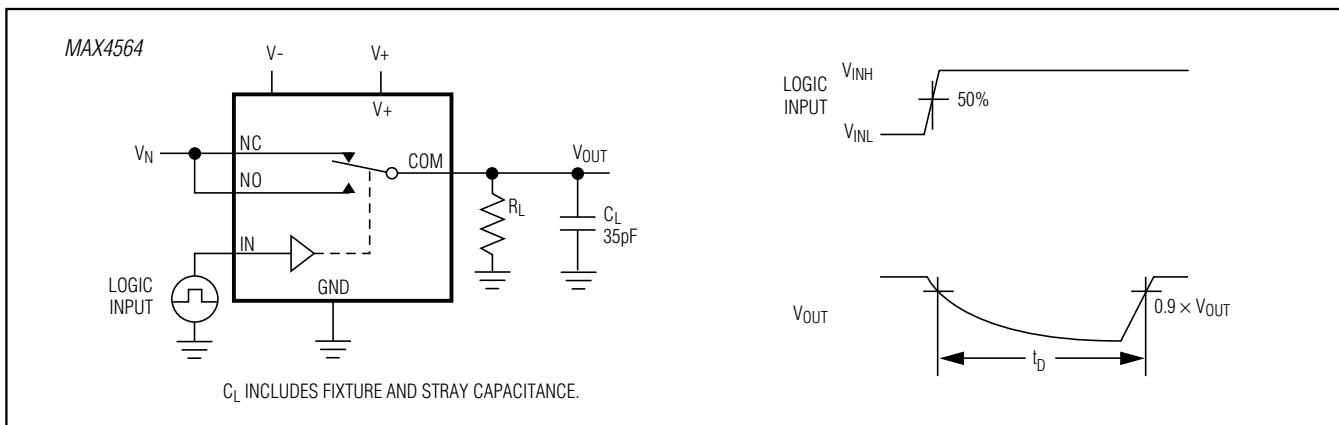


Figure 3. Break-Before-Make Interval

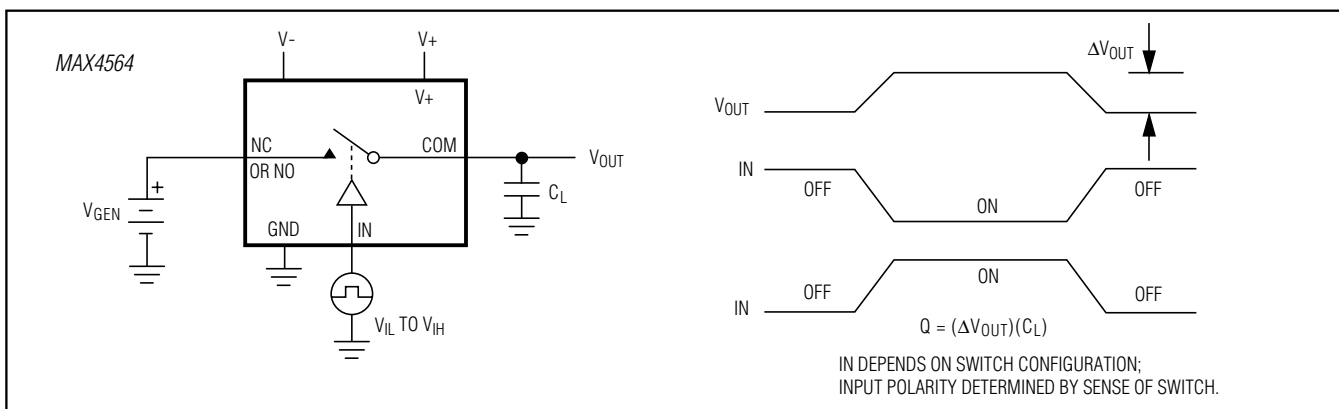


Figure 4. Charge Injection

# MAX4564

## Low-Voltage, Dual-Supply, SPDT Analog Switch with Enable

### Test Circuits/Timing Diagrams (continued)

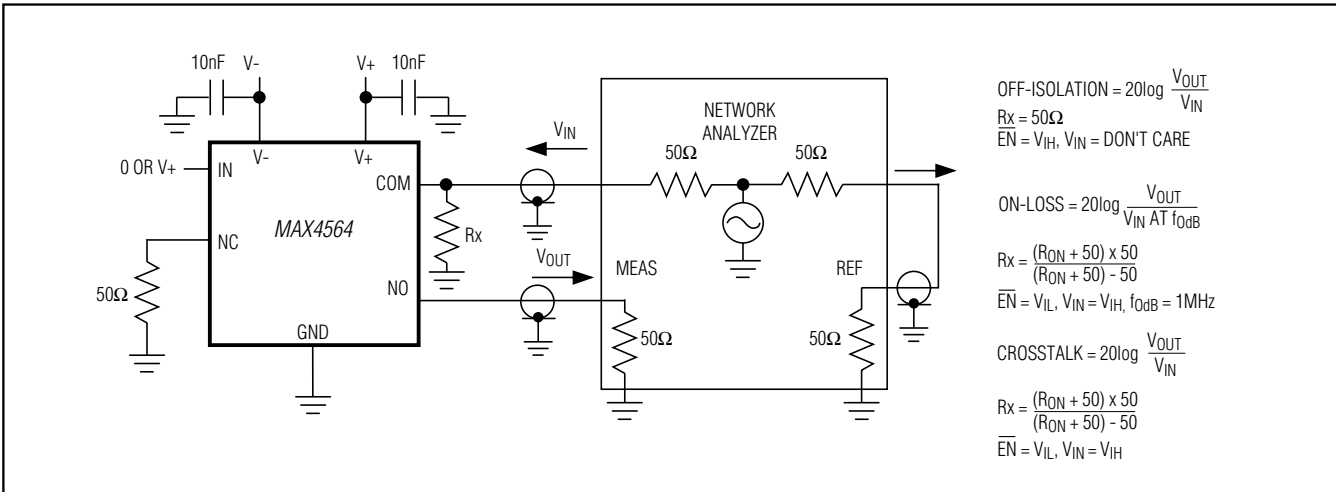


Figure 5. On-Loss, Off-Isolation, and Crosstalk

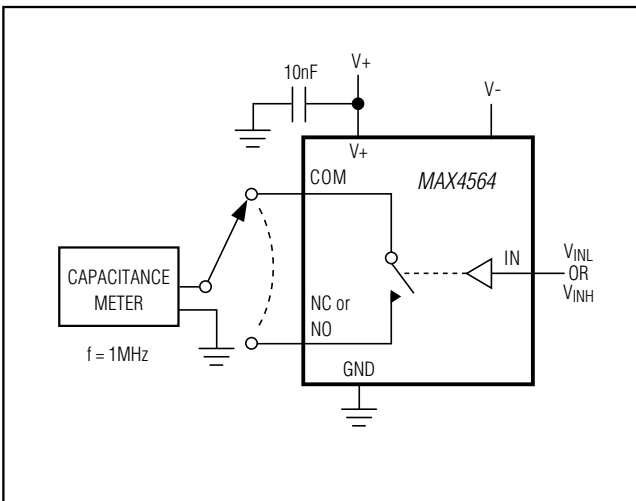


Figure 6. Channel Off/On-Capacitance

### Chip Information

PROCESS : CMOS

### Package Information

For the latest package outline information and land patterns (footprints), go to [www.maximintegrated.com/packages](http://www.maximintegrated.com/packages). Note that a "+", "#", or "-" in the package code indicates RoHS status only. Package drawings may show a different suffix character, but the drawing pertains to the package regardless of RoHS status.

PACKAGE TYPE	PACKAGE CODE	OUTLINE NO.	LAND PATTERN NO.
8 SOT23	K8SN+1	<a href="#">21-0078</a>	<a href="#">90-0176</a>
8 SO	U8+1	<a href="#">21-0036</a>	<a href="#">90-0092</a>

# MAX4564

## Low-Voltage, Dual-Supply, SPDT Analog Switch with Enable

### Revision History

REVISION NUMBER	REVISION DATE	DESCRIPTION	PAGES CHANGED
2	10/12	Added lead-free designation to the part numbers in the <i>Ordering Information</i>	1



Maxim Integrated cannot assume responsibility for use of any circuitry other than circuitry entirely embodied in a Maxim Integrated product. No circuit patent licenses are implied. Maxim Integrated reserves the right to change the circuitry and specifications without notice at any time. The parametric values (min and max limits) shown in the Electrical Characteristics table are guaranteed. Other parametric values quoted in this data sheet are provided for guidance.

**Maxim Integrated 160 Rio Robles, San Jose, CA 95134 USA 1-408-601-1000**

11

## Looking for pricing, stock, or lifecycle information?

Click below to explore more details on WIN SOURCE:

- ⊖ [View MAX4564EKA+T on WIN SOURCE](#)
- ⊖ [Maxim Integrated Information](#)

## Optimize Your Supply Chain with WIN SOURCE Solutions

- ✓ Global Sourcing Solution
- ✓ Obsolete Management
- ✓ Cost Control Management
- ✓ Shortage Management
- ✓ Alternative Solution
- ✓ Excess Inventory Management