



**THE DATASHEET OF
MAX4394ESD+**



MAX4389/MAX4390/ MAX4392–MAX4396

Ultra-Small, Low-Cost, 85MHz Op Amps with Rail-to-Rail Outputs and Disable

General Description

The MAX4389/MAX4390/MAX4392–MAX4396 family of op amps are unity-gain stable devices that combine high-speed performance, rail-to-rail outputs, and disable mode. These devices are targeted for applications where an input or an output is exposed to the outside world, such as video and communications.

The MAX4389/MAX4390/MAX4392–MAX4396 operate from a single 4.5V to 11V supply or from dual $\pm 2.25V$ to $\pm 5.5V$ supplies. The common-mode input voltage range extends to the negative power-supply rail (ground in single-supply applications). The MAX4389/MAX4390/MAX4392–MAX4396 consume only 5.5mA of quiescent supply current per amplifier while achieving a 85MHz -3dB bandwidth, 27MHz 0.1dB gain flatness, and a 500V/ μs slew rate. Disable mode sets the outputs to high impedance while consuming only 450 μA of current.

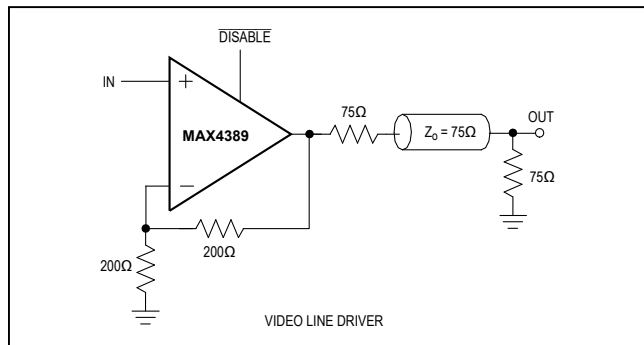
The MAX4389 single, MAX4393 dual, MAX4394 triple, and MAX4396 quad include disable capabilities. The MAX4389 and MAX4390 are available in ultra-small, 6-pin SC70 packages.

Applications

- Set-Top Boxes
- Surveillance Video Systems
- Analog-to-Digital Converter Interface
- CCD Imaging Systems
- Digital Cameras
- Video-on-Demand
- Video Line Driver

μMAX is a registered trademark of Maxim Integrated Products, Inc.

Typical Operating Circuit



Features

- Low Cost
- High Speed
 - 85MHz -3dB Bandwidth
 - 27MHz 0.1dB Gain Flatness
 - 500V/ μs Slew Rate
- Single 4.5V to 11V or Dual $\pm 2.25V$ to $\pm 5.5V$ Operation
- Rail-to-Rail Outputs
- Input Common-Mode Range Extends to V_{EE}
- Low Differential Gain/Phase: 0.015%/0.015°
- Low Distortion at 5MHz
 - -59dBc Spurious-Free Dynamic Range
- High Output Drive: $\pm 50mA$
- 450 μA Disable Capability (MAX4389/MAX4393/MAX4394/MAX4396)
- Space-Saving SC70, SOT23, μMAX ®, or TSSOP Packages

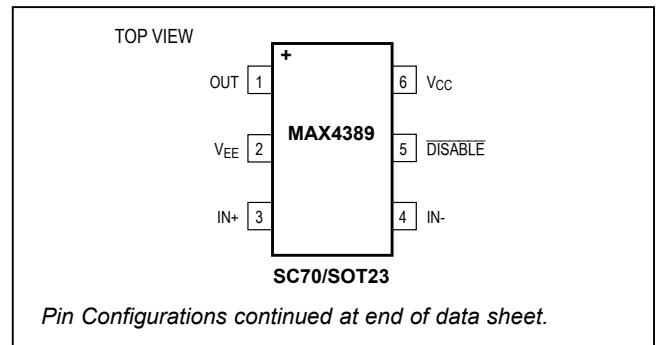
Ordering Information

| PART | TEMP RANGE | PIN-PACKAGE | TOP MARK |
|--------------|----------------|-------------|----------|
| MAX4389EXT+T | -40°C to +85°C | 6 SC70 | ABF |
| MAX4389EUT+T | -40°C to +85°C | 6 SOT23 | ABDC |
| MAX4390EXT+T | -40°C to +85°C | 6 SC70 | ABE |
| MAX4390EUK+T | -40°C to +85°C | 5 SOT23 | ADZM |

+Denotes a lead(Pb)-free/RoHs-compliant package.
T = Tape and reel.

Ordering Information continued at end of data sheet.
Selector Guide appears at end of data sheet.

Pin Configurations



Pin Configurations continued at end of data sheet.

Absolute Maximum Ratings

| | | | |
|--|--|--|-----------------|
| Supply Voltage (V_{CC} to V_{EE}) | -0.3V to +12V | 8-Pin SO (derate 5.88mW/°C above +70°C) | 471mW |
| IN_+ , IN_- , OUT_- , $DISABLE$ | ($V_{EE} - 0.3V$) to ($V_{CC} + 0.3V$) | 8-Pin μ MAX (derate 4.5mW/°C above +70°C) | 362mW |
| Differential Input Voltage | $\pm 2.5V$ | 10-Pin μ MAX (derate 5.6mW/°C above +70°C) | 444mW |
| Current into Input Pins | $\pm 20mA$ | 14-Pin SO (derate 8.33mW/°C above +70°C) | 667mW |
| Output Short-Circuit Duration to | | 14-Pin TSSOP (derate 10mW/°C above +70°C) | 727mW |
| V_{CC} or V_{EE} (Note 1) | Continuous | 20-Pin TSSOP (derate 10.9mW/°C above +70°C) | 879mW |
| Continuous Power Dissipation ($T_A = +70^\circ C$) | | Operating Temperature Range | -40°C to +85°C |
| 5-Pin SOT23 (derate 7.1mW/°C above +70°C) | 571mW | Junction Temperature | +150°C |
| 6-Pin SOT23 (derate 8.7mW/°C above +70°C) | 696mW | Storage Temperature Range | -65°C to +150°C |
| 6-Pin SC70 (derate 3.1mW/°C above +70°C) | 245mW | Lead Temperature (soldering, 10s) | +300°C |

Note 1: Continuous power dissipation must also be observed.

Stresses beyond those listed under "Absolute Maximum Ratings" may cause permanent damage to the device. These are stress ratings only, and functional operation of the device at these or any other conditions beyond those indicated in the operational sections of the specifications is not implied. Exposure to absolute maximum rating conditions for extended periods may affect device reliability.

DC Electrical Characteristics—Single Supply

($V_{CC} = 5V$, $V_{EE} = 0V$, $V_{CM} = V_{CC}/2$, $V_{OUT} = V_{CC}/2$, $R_L = \infty$ to $V_{CC}/2$, $DISABLE_- = V_{CC}$ (MAX4389/MAX4393/MAX4394/MAX4396), $T_A = T_{MIN}$ to T_{MAX} , unless otherwise noted. Typical values are at $T_A = +25^\circ C$.) (Note 2)

| PARAMETER | SYMBOL | CONDITIONS | MIN | TYP | MAX | UNITS |
|---------------------------------|-------------------|---|-------------------|-----------|-----------------|------------------|
| Input Common-Mode Voltage Range | V_{CM} | Guaranteed by CMRR test | $V_{EE} - 0.2$ | | $V_{CC} - 2.25$ | V |
| Input Offset Voltage | V_{OS} | $T_A = +25^\circ C$ | | 5 | 18 | mV |
| | | $T_A = -40^\circ C$ to $+85^\circ C$ | | | 26 | |
| Input Offset Voltage Matching | | MAX4392–MAX4396 | | 1 | | mV |
| Input Offset Voltage Tempco | TC_{VOS} | | | 15 | | $\mu V/^\circ C$ |
| Input Bias Current | I_B | | | 2.5 | 15 | μA |
| Input Offset Current | I_{OS} | | | 0.2 | 5 | μA |
| Input Resistance | R_{IN} | Differential mode ($-1V \leq V_{IN} \leq +1V$) | | 70 | | k Ω |
| | | Common mode ($-0.2V \leq V_{CM} \leq +2.75V$) | | 3 | | M Ω |
| Common-Mode Rejection Ratio | CMRR | ($V_{EE} - 0.2V$) $\leq V_{CM} \leq (V_{CC} - 2.25V)$ | 70 | 95 | | dB |
| Open-Loop Gain | A_{VOL} | $0.25V \leq V_{OUT} \leq 4.75V$, $R_L = 2k\Omega$ | 50 | 70 | | dB |
| | | $0.8V \leq V_{OUT} \leq 4.5V$, $R_L = 150\Omega$ | 50 | 60 | | |
| | | $1V \leq V_{OUT} \leq 4V$, $R_L = 50\Omega$ | | 58 | | |
| Output Voltage Swing | V_{OUT} | $R_L = 2k\Omega$ | $V_{CC} - V_{OH}$ | 0.065 | 0.25 | V |
| | | | $V_{OL} - V_{EE}$ | 0.05 | 0.15 | |
| | | $R_L = 150\Omega$ | $V_{CC} - V_{OH}$ | 0.3 | 0.5 | |
| | | | $V_{OL} - V_{EE}$ | 0.25 | 0.5 | |
| | | $R_L = 75\Omega$ | $V_{CC} - V_{OH}$ | 0.5 | 0.8 | |
| | | | $V_{OL} - V_{EE}$ | 0.45 | 0.8 | |
| $R_L = 75\Omega$ to ground | $V_{CC} - V_{OH}$ | 1 | 1.7 | | | |
| | $V_{OL} - V_{EE}$ | 0.025 | 0.1 | | | |
| Output Current | I_{OUT} | Sinking from $R_L = 75\Omega$ to V_{CC} | 40 | 55 | | mA |
| | | Sourcing into $R_L = 75\Omega$ to V_{EE} | 40 | 50 | | |
| Output Short-Circuit Current | I_{SC} | Sinking or sourcing | | ± 100 | | mA |

DC Electrical Characteristics—Single Supply (continued)

($V_{CC} = 5V$, $V_{EE} = 0V$, $V_{CM} = V_{CC}/2$, $V_{OUT} = V_{CC}/2$, $R_L = \infty$ to $V_{CC}/2$, $\overline{DISABLE} = V_{CC}$ (MAX4389/MAX4393/MAX4394/MAX4396), $T_A = T_{MIN}$ to T_{MAX} , unless otherwise noted. Typical values are at $T_A = +25^\circ C$.) (Note 2)

| PARAMETER | SYMBOL | CONDITIONS | MIN | TYP | MAX | UNITS |
|---|----------------|--|-----------------|-----|--------------|------------|
| Open-Loop Output Resistance | R_{OUT} | | | 8 | | Ω |
| Power-Supply Rejection Ratio | PSRR | $V_{EE} = 0V$, $V_{CC} = 4.5V$ to $5.5V$ | 48 | 65 | | dB |
| Operating Supply Voltage Range | V_S | Guaranteed by PSRR | 4.5 | | 11 | V |
| Disabled Output Resistance | $R_{OUT(OFF)}$ | $\overline{DISABLE} = 0V$, $0 \leq V_{OUT} \leq 5V$ | 40 | 95 | | k Ω |
| $\overline{DISABLE}$ Logic-Low Threshold | V_{IL} | | | | $V_{CC} - 3$ | V |
| $\overline{DISABLE}$ Logic-High Threshold | V_{IH} | | $V_{CC} - 1.25$ | | | V |
| $\overline{DISABLE}$ Logic-Input Low Current | I_{IL} | $\overline{DISABLE} = 0V$ | | 20 | 60 | μA |
| $\overline{DISABLE}$ Logic-Input High Current | I_{IH} | $\overline{DISABLE} = V_{CC}$ | | 5 | 40 | μA |
| Quiescent Supply Current (Per Amplifier) | I_S | $\overline{DISABLE} = V_{CC}$ | | 3.2 | 5 | mA |
| | | $\overline{DISABLE} = 0V$ | | 0.3 | 0.4 | |

DC Electrical Characteristics—Dual Supply

($V_{CC} = 5V$, $V_{EE} = -5V$, $V_{CM} = 0V$, $V_{OUT} = 0V$, $R_L = \infty$ to 0 , $\overline{DISABLE} = V_{CC}$ (MAX4389/MAX4393/MAX4394/MAX4396), $T_A = T_{MIN}$ to T_{MAX} , unless otherwise noted. Typical values are at $T_A = +25^\circ C$.) (Note 2)

| PARAMETER | SYMBOL | CONDITIONS | MIN | TYP | MAX | UNITS |
|-------------------------------|------------|--|----------|-----------------|-----|------------------|
| Input Common-Mode Voltage | V_{CM} | Guaranteed by CMRR test | V_{EE} | $V_{CC} - 2.25$ | | V |
| Input Offset Voltage | V_{OS} | $T_A = +25^\circ C$ | | 7 | 20 | mV |
| | | $T_A = -40^\circ C$ to $+85^\circ C$ | | | 28 | |
| Input Offset Voltage Matching | | MAX4392–MAX4396 | | 1 | | mV |
| Input Offset Voltage Tempco | TC_{VOS} | | | 20 | | $\mu V/^\circ C$ |
| Input Bias Current | I_B | | | 5 | 15 | μA |
| Input Offset Current | I_{OS} | | | 0.5 | 5 | μA |
| Input Resistance | R_{IN} | Differential mode ($-1V \leq V_{IN} \leq +1V$) | | 70 | | k Ω |
| | | Common mode ($-0.2V \leq V_{CM} \leq +2.75V$) | | 3 | | M Ω |
| Common-Mode Rejection Ratio | CMRR | $V_{EE} \leq V_{CM} \leq (V_{CC} - 2.25V)$ | 70 | 90 | | dB |
| Open-Loop Gain | A_{VOL} | $-4.5V \leq V_{OUT} \leq 4.5V$, $R_L = 2k\Omega$ | 65 | 80 | | dB |
| | | $-4.25V \leq V_{OUT} \leq 4.25V$, $R_L = 150\Omega$ | 50 | 60 | | |

DC Electrical Characteristics—Dual Supply (continued)

($V_{CC} = 5V$, $V_{EE} = -5V$, $V_{CM} = 0V$, $V_{OUT} = 0V$, $R_L = \infty$ to 0 , $\overline{DISABLE} = V_{CC}$ (MAX4389/MAX4393/MAX4394/MAX4396), $T_A = T_{MIN}$ to T_{MAX} , unless otherwise noted. Typical values are at $T_A = +25^\circ C$.) (Note 2)

| PARAMETER | SYMBOL | CONDITIONS | MIN | TYP | MAX | UNITS |
|---|----------------|---|-------------------|-------|------|------------|
| Output Voltage Swing | V_{OUT} | $R_L = 2k\Omega$ | $V_{CC} - V_{OH}$ | 0.175 | 0.3 | V |
| | | | $V_{OL} - V_{EE}$ | 0.075 | 0.2 | |
| | | $R_L = 150\Omega$ | $V_{CC} - V_{OH}$ | 0.575 | 0.85 | |
| | | | $V_{OL} - V_{EE}$ | 0.4 | 1.5 | |
| | | $R_L = 75\Omega$ | $V_{CC} - V_{OH}$ | 1.5 | 2.35 | |
| | | | $V_{OL} - V_{EE}$ | 0.75 | 1.6 | |
| Output Current | I_{OUT} | Sinking from $R_L = 75\Omega$ to V_{CC} | 50 | 95 | mA | |
| | | Sourcing into $R_L = 75\Omega$ to V_{EE} | 50 | 75 | | |
| Output Short-Circuit Current | I_{SC} | Sinking or sourcing | ± 100 | | | mA |
| Open-Loop Output Resistance | R_{OUT} | | 8 | | | Ω |
| Power-Supply Rejection Ratio | PSRR | $V_{EE} = 0V$, $V_{CC} = 4.5V$ to $5.5V$ | 48 | 60 | | dB |
| Operating Supply Voltage Range | V_S | Guaranteed by PSRR | 4.5 | | 11 | V |
| Disabled Output Resistance | $R_{OUT(OFF)}$ | $\overline{DISABLE} = 0V$, $-5V \leq V_{OUT} \leq +5V$ | 40 | 95 | | k Ω |
| $\overline{DISABLE}$ Logic-Low Threshold | V_{IL} | | $V_{CC} - 3$ | | | V |
| $\overline{DISABLE}$ Logic-High Threshold | V_{IH} | | $V_{CC} - 1.25$ | | | V |
| Quiescent Supply Current (Per Amplifier) | I_S | $\overline{DISABLE} = V_{CC}$ | | 6 | 10 | mA |
| | | $\overline{DISABLE} = 0V$ | | 0.45 | 0.8 | |

AC Electrical Characteristics—Single Supply

($V_{CC} = 5V$, $V_{EE} = 0V$, $V_{CM} = 1.5V$, $R_L = 100\Omega$ to $V_{CC}/2$, $\overline{DISABLE} = V_{CC}$ (MAX4389/MAX4393/MAX4394/MAX4396), $V_{OUT} = V_{CC}/2$, $A_{VCL} = 1V/V$, $T_A = +25^\circ C$, unless otherwise noted.)

| PARAMETER | SYMBOL | CONDITIONS | MIN | TYP | MAX | UNITS |
|----------------------------------|----------------|-------------------------------------|-----|-----|-----|------------|
| Small-Signal -3dB Bandwidth | BW_{SS} | $V_{OUT} = 100mV_{P-P}$ | | 72 | | MHz |
| Large-Signal -3dB Bandwidth | BW_{LS} | $V_{OUT} = 2V_{P-P}$ | | 80 | | MHz |
| Small-Signal 0.1dB Gain Flatness | $BW_{0.1dBSS}$ | $V_{OUT} = 100mV_{P-P}$ | | 30 | | MHz |
| Large-Signal 0.1dB Gain Flatness | $BW_{0.1dBLS}$ | $V_{OUT} = 2V_{P-P}$ | | 30 | | MHz |
| Slew Rate | SR | $V_{OUT} = 2V$ step | | 500 | | V/ μs |
| Settling Time to 0.1% | t_s | $V_{OUT} = 2V$ step | | 28 | | ns |
| Rise/Fall Time | t_R/t_F | $V_{OUT} = 100mV_{P-P}$ | | 4 | | ns |
| Spurious-Free Dynamic Range | SFDR | $f_C = 5MHz$, $V_{OUT} = 2V_{P-P}$ | | -59 | | dBc |

AC Electrical Characteristics—Single Supply (continued)

($V_{CC} = 5V$, $V_{EE} = 0V$, $V_{CM} = 1.5V$, $R_L = 100\Omega$ to $V_{CC}/2$, $\overline{DISABLE}_- = V_{CC}$ (MAX4389/MAX4393/MAX4394/MAX4396), $V_{OUT} = V_{CC}/2$, $A_{VCL} = 1V/V$, $T_A = +25^\circ C$, unless otherwise noted.)

| PARAMETER | SYMBOL | CONDITIONS | MIN | TYP | MAX | UNITS |
|------------------------------|------------|----------------------------------|-----|-------|-----|----------------|
| Differential Phase Error | DP | NTSC, $R_L = 150\Omega$ | | 0.015 | | degrees |
| Differential Gain Error | DG | NTSC, $R_L = 150\Omega$ | | 0.015 | | % |
| Input Noise-Voltage Density | e_n | $f = 10kHz$ | | 13 | | nV/\sqrt{Hz} |
| Input Noise-Current Density | i_n | $f = 10kHz$ | | 2.1 | | pA/\sqrt{Hz} |
| Input Capacitance | C_{IN} | | | 1 | | pF |
| Output Impedance | Z_{OUT} | $f = 5MHz$ | | 0.6 | | Ω |
| Disable OFF Time | | MAX4389/MAX4393/MAX4394/MAX4396 | | 80 | | ns |
| Disable ON Time | | MAX4389/MAX4393/MAX4394/MAX4396 | | 40 | | ns |
| Channel-to-Channel Isolation | CH_{ISO} | MAX4392–MAX4396, specified at DC | | -97 | | dB |

AC Electrical Characteristics —Dual Supply

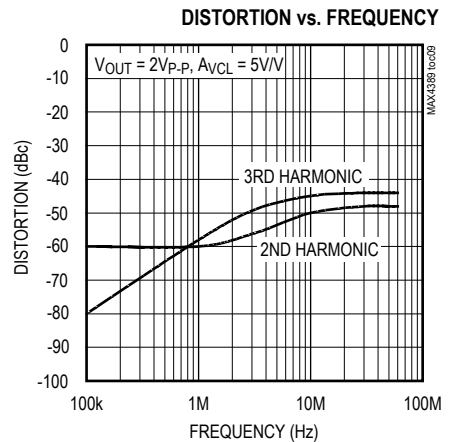
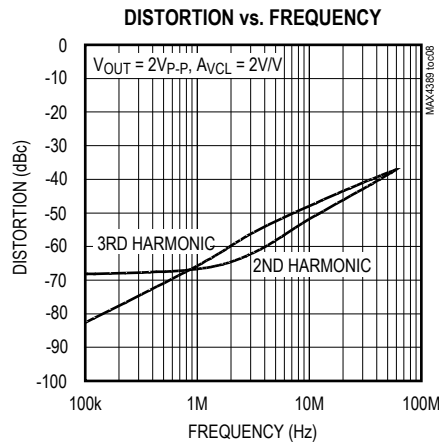
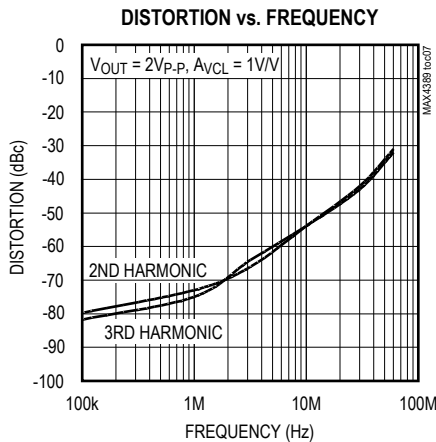
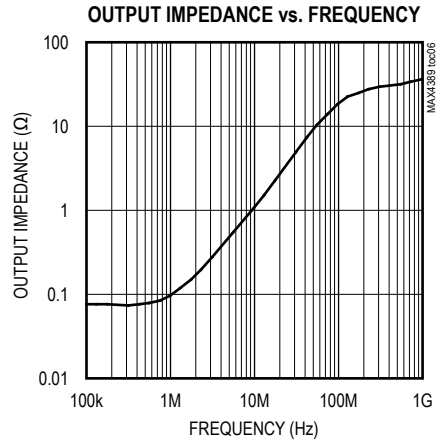
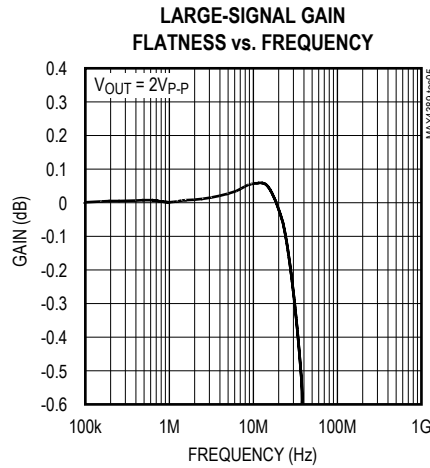
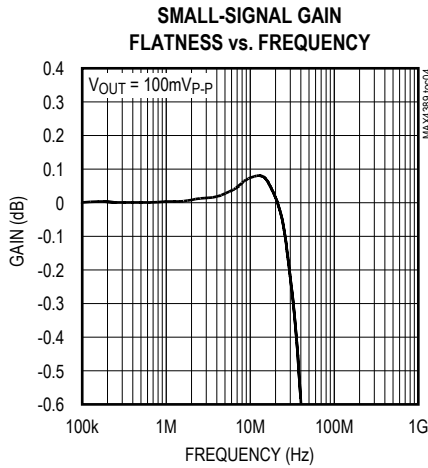
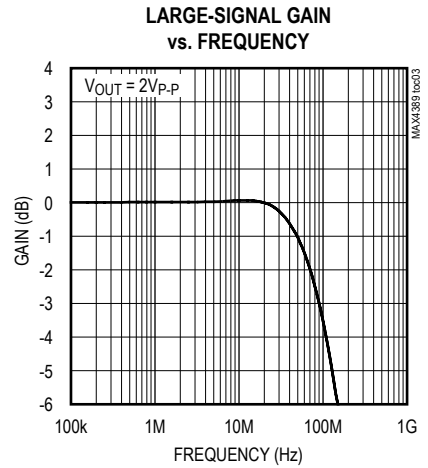
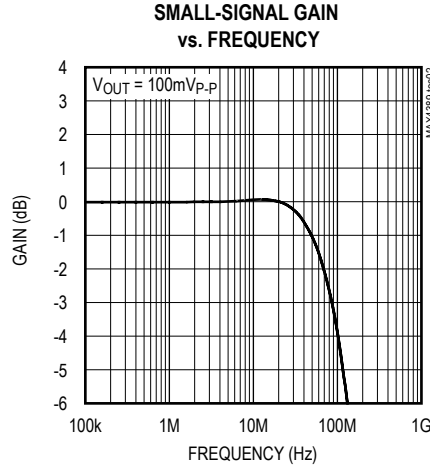
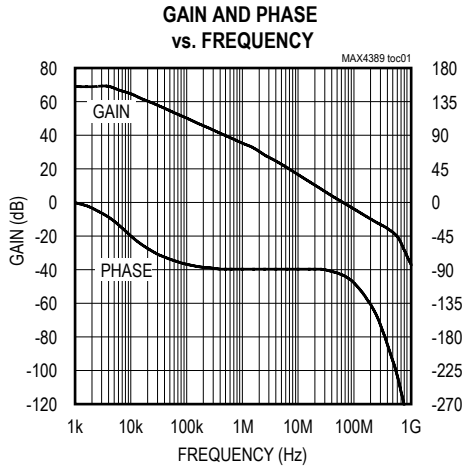
($V_{CC} = 5V$, $V_{EE} = -5V$, $R_L = \infty$ to GND, $GND = 0$, $V_{OUT} = 0V$, $Gain = 1V/V$, $\overline{DISABLE} = V_{CC}$, and $T_A = T_{MIN}$ to T_{MAX} , unless otherwise noted. Typical values are at $T_A = +25^\circ C$.)

| PARAMETER | SYMBOL | CONDITIONS | MIN | TYP | MAX | UNITS |
|--|----------------|--|-----|-------|-----|----------------|
| Small-Signal -3dB Bandwidth | BW_{SS} | $V_{OUT} = 100mV_{P-P}$ | | 85 | | MHz |
| Large-Signal -3dB Bandwidth | BW_{LS} | $V_{OUT} = 2V_{P-P}$ | | 90 | | MHz |
| Small-Signal Bandwidth for 0.1dB Gain Flatness | $BW_{0.1dBSS}$ | $V_{OUT} = 100mV_{P-P}$ | | 27 | | MHz |
| Large-Signal Bandwidth for 0.1dB Gain Flatness | $BW_{0.1dBLS}$ | $V_{OUT} = 2V_{P-P}$ | | 24 | | MHz |
| Slew Rate | SR | $V_{OUT} = 2V$ step | | 500 | | $V/\mu s$ |
| Settling Time to 0.1% | t_S | $V_{OUT} = 2V$ step | | 21 | | ns |
| Rise/Fall Time | t_R/t_F | $V_{OUT} = 100mV_{P-P}$ | | 4 | | ns |
| Spurious-Free Dynamic Range | SFDR | $f_C = 5MHz$, $V_{OUT} = 2V_{P-P}$ | | -59 | | dBc |
| Differential Phase Error | DP | NTSC, $R_L = 150\Omega$ | | 0.015 | | degrees |
| Differential Gain Error | DG | NTSC, $R_L = 150\Omega$ | | 0.015 | | % |
| Input Noise-Voltage Density | e_n | $f = 10kHz$ | | 13 | | nV/\sqrt{Hz} |
| Input Noise-Current Density | i_n | $f = 10kHz$ | | 2.1 | | pA/\sqrt{Hz} |
| Input Capacitance | C_{IN} | | | 1 | | pF |
| Output Impedance | Z_{OUT} | $f = 5MHz$ | | 0.6 | | Ω |
| Disable OFF Time | | MAX4389/MAX4393/MAX4394/MAX4396 | | 80 | | ns |
| Disable ON Time | | MAX4389/MAX4393/MAX4394/MAX4396 | | 40 | | ns |
| Channel-to-Channel Isolation | CH_{ISO} | MAX4392/MAX4393/MAX4394/MAX4395/ MAX4396, specified at DC | | -97 | | dB |

Note 2: All devices are 100% production tested at $T_A = +25^\circ C$. Specifications over temperature limits are guaranteed by design.

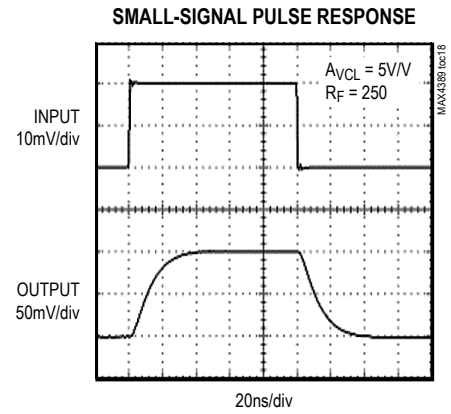
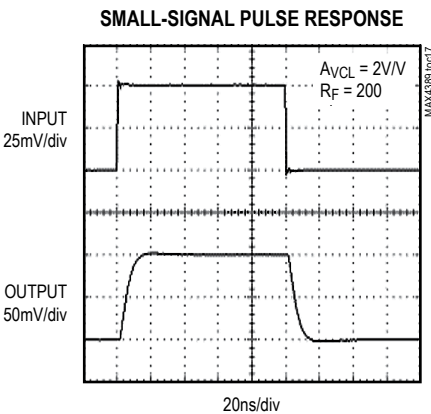
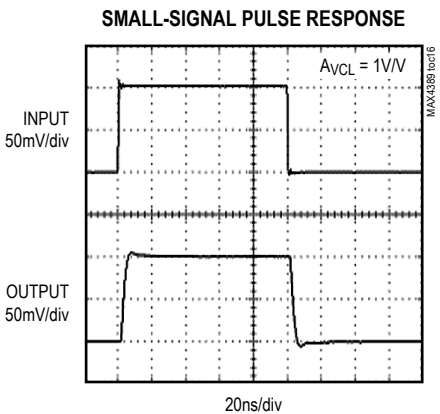
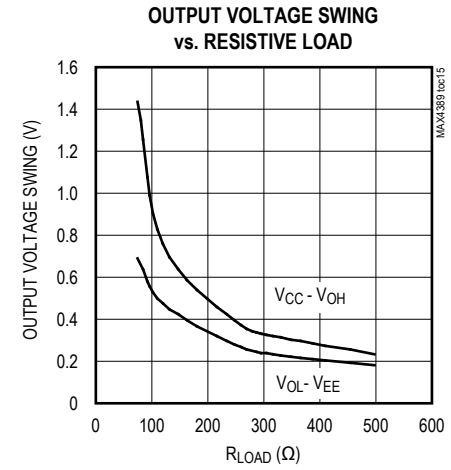
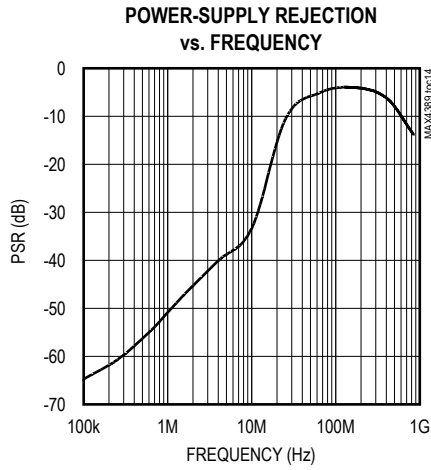
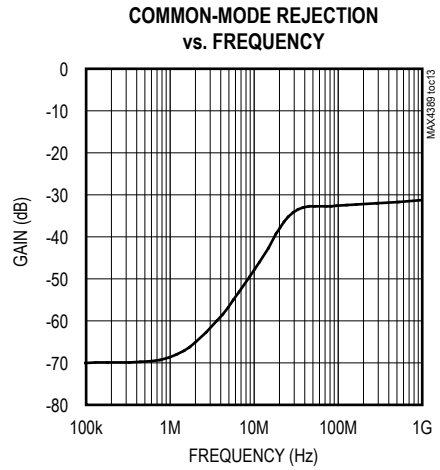
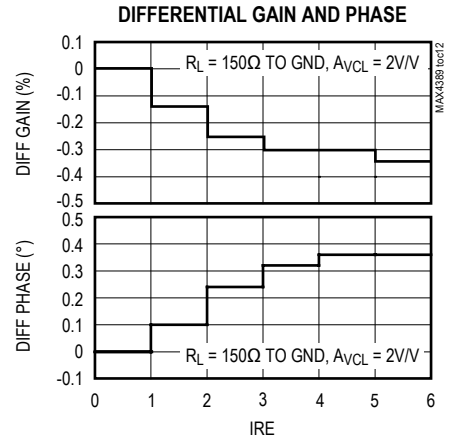
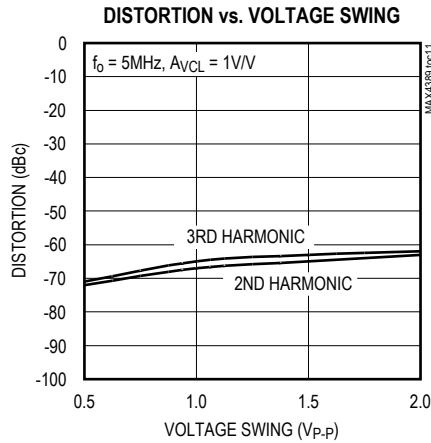
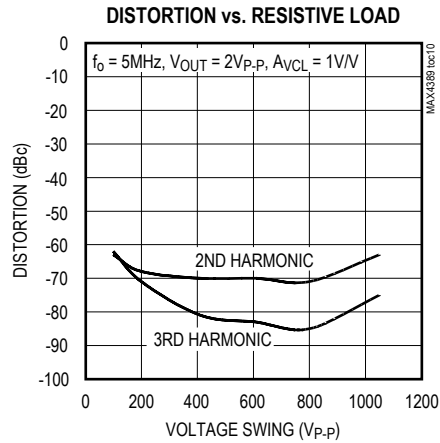
Typical Operating Characteristics

($V_{CC} = 5V$, $V_{EE} = -5V$, $V_{CM} = 0V$, $A_{VCL} = 1V/V$, $R_L = 100\Omega$ to GND, GND = 0, $T_A = +25^\circ C$, unless otherwise noted.)



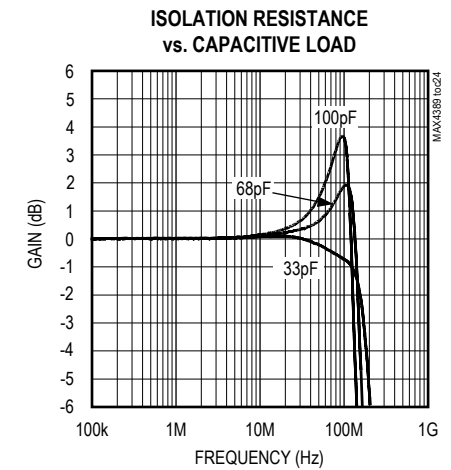
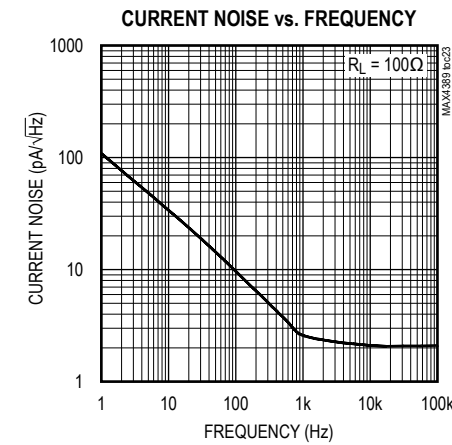
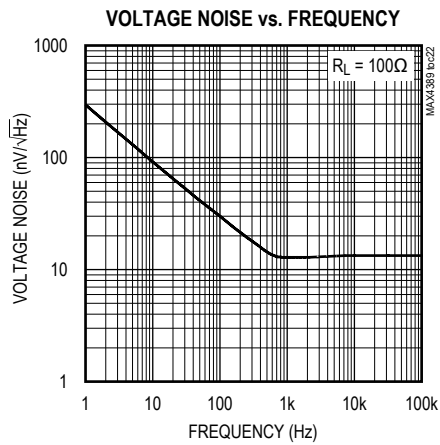
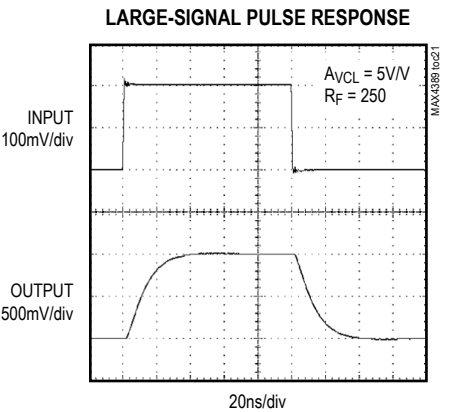
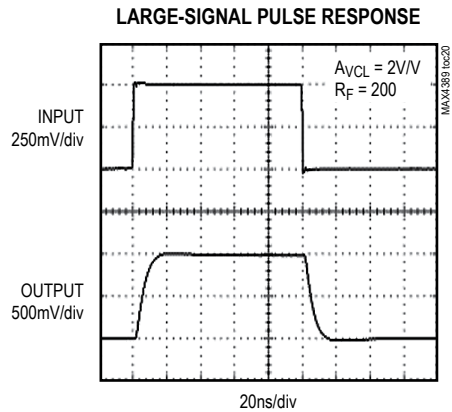
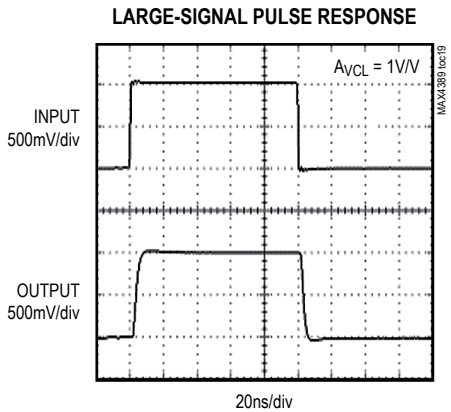
Typical Operating Characteristics (continued)

($V_{CC} = 5V$, $V_{EE} = -5V$, $V_{CM} = 0V$, $A_{VCL} = 1V/V$, $R_L = 100\Omega$ to GND, GND = 0, $T_A = +25^\circ C$, unless otherwise noted.)



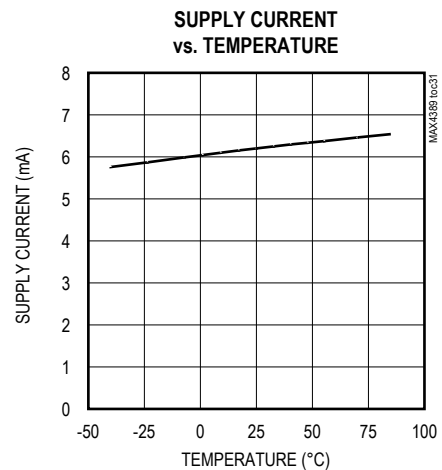
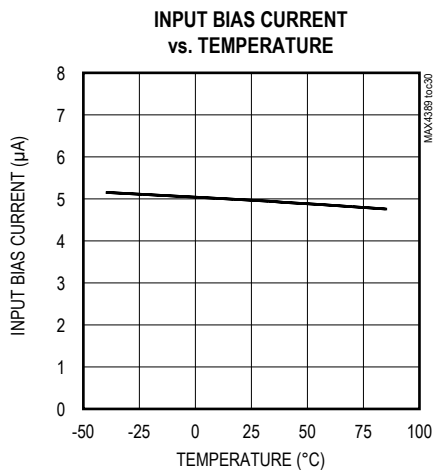
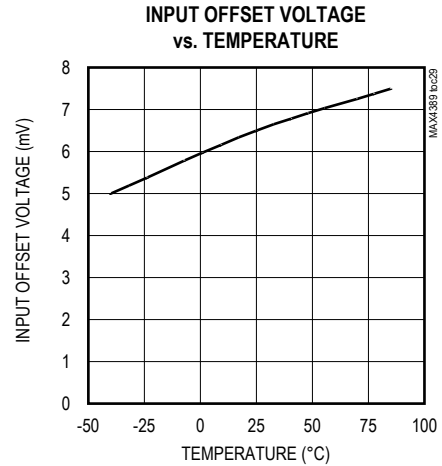
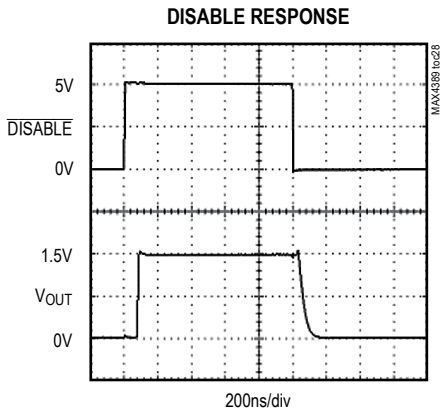
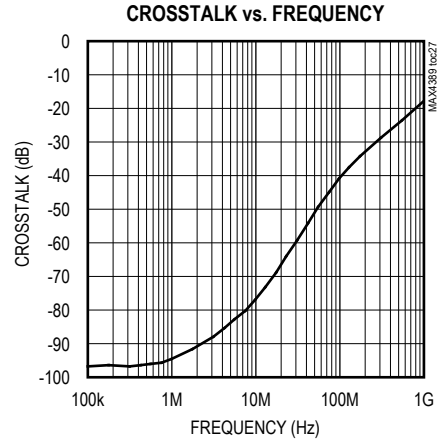
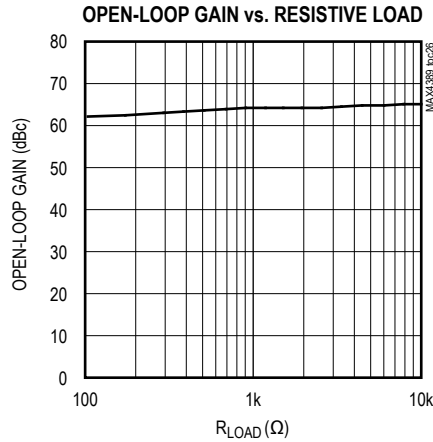
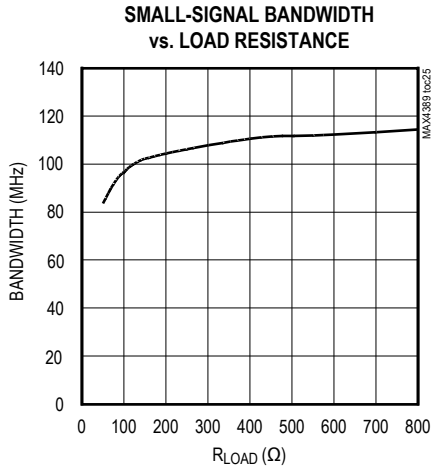
Typical Operating Characteristics (continued)

($V_{CC} = 5V$, $V_{EE} = -5V$, $V_{CM} = 0V$, $A_{VCL} = 1V/V$, $R_L = 100\Omega$ to GND, GND = 0, $T_A = +25^\circ C$, unless otherwise noted.)



Typical Operating Characteristics (continued)

($V_{CC} = 5V$, $V_{EE} = -5V$, $V_{CM} = 0V$, $A_{VCL} = 1V/V$, $R_L = 100\Omega$ to GND, GND = 0, $T_A = +25^\circ C$, unless otherwise noted.)



Pin Description

| PIN | | | | | | | | NAME | FUNCTION |
|------------|---------|-------|---------|---------|----------|----------|---------|------------------------------|---|
| MAX4389 | MAX4390 | | MAX4392 | MAX4393 | MAX4394 | MAX4395 | MAX4396 | | |
| SC70/SOT23 | SC70 | SOT23 | μMAX/SO | μMAX | SO/TSSOP | SO/TSSOP | TSSOP | | |
| 1 | 1 | 1 | — | — | — | — | — | OUT | Amplifier Output |
| 2 | 2 | 2 | 4 | 4 | 11 | 11 | 16 | V _{EE} | Negative Power Supply. Connect a 0.1μF capacitor to GND. |
| 3 | 3 | 3 | — | — | — | — | — | IN+ | Noninverting Input |
| 4 | 4 | 4 | — | — | — | — | — | IN- | Inverting Input |
| 5 | — | — | — | — | — | — | — | $\overline{\text{DISABLE}}$ | Disable. Connect to V _{CC} to enable. |
| 6 | 6 | 5 | 8 | 10 | 4 | 4 | 5 | V _{CC} | Positive Power Supply. Connect a 0.1μF capacitor to GND. |
| — | 5 | — | — | — | — | — | 10, 11 | N.C. | No Connection. Not internally connected. |
| — | — | — | 3 | 3 | 5 | 3 | 4 | INA+ | Amplifier A Noninverting Input |
| — | — | — | 2 | 2 | 6 | 2 | 3 | INA- | Amplifier A Inverting Input |
| — | — | — | 1 | 1 | 7 | 1 | 2 | OUTA | Amplifier A Output |
| — | — | — | — | 5 | 1 | — | 1 | $\overline{\text{DISABLEA}}$ | Shutdown Amplifier A. Connect to V _{CC} to enable. |
| — | — | — | 5 | 7 | 10 | 5 | 6 | INB+ | Amplifier B Noninverting Input |
| — | — | — | 6 | 8 | 9 | 6 | 7 | INB- | Amplifier B Inverting Input |
| — | — | — | 7 | 9 | 8 | 7 | 8 | OUTB | Amplifier B Output |

Pin Description (continued)

| PIN | | | | | | | | NAME | FUNCTION |
|------------|---------|-------|---------|---------|----------|----------|---------|------------------------------|--|
| MAX4389 | MAX4390 | | MAX4392 | MAX4393 | MAX4394 | MAX4395 | MAX4396 | | |
| SC70/SOT23 | SC70 | SOT23 | μMAX/SO | μMAX | SO/TSSOP | SO/TSSOP | TSSOP | | |
| — | — | — | — | 6 | 3 | — | 9 | $\overline{\text{DISABLEB}}$ | Shutdown Amplifier B. Connect to V_{CC} to enable. |
| — | — | — | — | — | 12 | 10 | 15 | INC+ | Amplifier C Noninverting Input |
| — | — | — | — | — | 13 | 9 | 14 | INC- | Amplifier C Inverting Input |
| — | — | — | — | — | 14 | 8 | 13 | OUTC | Amplifier C Output |
| — | — | — | — | — | 2 | — | 12 | $\overline{\text{DISABLEC}}$ | Shutdown Amplifier C. Connect to V_{CC} to enable. |
| — | — | — | — | — | — | 12 | 17 | IND+ | Amplifier D Noninverting Input |
| — | — | — | — | — | — | 13 | 18 | IND- | Amplifier D Inverting Input |
| — | — | — | — | — | — | 14 | 19 | OUTD | Amplifier D Output |
| — | — | — | — | — | — | — | 20 | $\overline{\text{DISABLED}}$ | Shutdown Amplifier D. Connect to V_{CC} to enable. |

Detailed Description

The MAX4389/MAX4390/MAX4392–MAX4396 are dual-supply, rail-to-rail, voltage-feedback amplifiers that employ current-feedback techniques to achieve 500V/μs slew rates and 85MHz bandwidths. Excellent harmonic distortion and differential gain/phase performance make these amplifiers an ideal choice for a wide variety of video and RF signal-processing applications.

Applications Information

The output voltage swings to within 200mV of each supply rail. Local feedback around the output stage ensures low open-loop output impedance to reduce gain sensitivity to

load variations. The input stage permits common-mode voltages to the negative supply and to within 2.25V of the positive supply rail.

Choosing Resistor Values

Unity-Gain Configuration

The MAX4389/MAX4390/MAX4392–MAX4396 are internally compensated for unity gain. When configured for unity gain, a 24Ω resistor (R_F) in series with the feedback path optimizes AC performance. This resistor improves AC response by reducing the Q of the parallel LC circuit formed by the parasitic feedback capacitance and inductance.

Video Line Driver

The MAX4389/MAX4390/MAX4392–MAX4396 are low-power, voltage-feedback amplifiers featuring large-signal ($2V_{P-P}$) bandwidths of 90MHz and 0.1dB large-signal gain flatness of 24MHz. They are designed to minimize differential-gain error and differential-phase error to 0.015% and 0.015° , respectively. They have a 21ns settling time to 0.1%, 500V/ μ s slew rates, and output-current-drive capability of up to 50mA making them ideal for driving video loads.

Inverting and Noninverting Configurations

Select the gain-setting feedback (R_F) and input (R_G) resistor values to fit your application. Large resistor values increase voltage noise and interact with the amplifier's input and PCB capacitance. This can generate undesirable poles and zeros and decrease bandwidth or cause oscillations. For example, a noninverting gain-of-two configuration ($R_F = R_G$) using 2k Ω resistors, combined with 1pF of amplifier input capacitance and 1pF of PCB capacitance, causes a pole at 79.6MHz. Since this pole is within the amplifier bandwidth, it jeopardizes stability. Reducing the 2k Ω resistors to 100 Ω extends the pole frequency to 1.59GHz, but could limit output swing by adding 200 Ω in parallel with the amplifier's load resistor (Figures 1a and 1b).

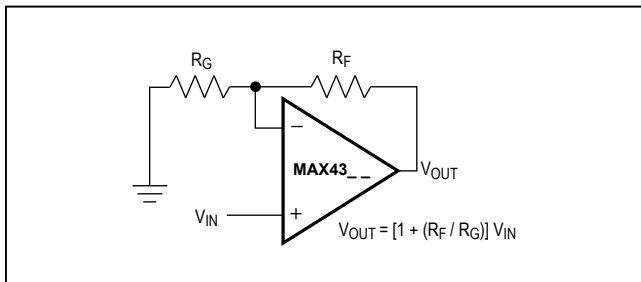


Figure 1a. Noninverting Gain Configuration

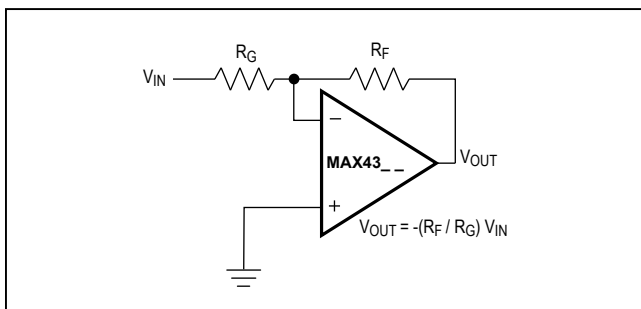


Figure 1b. Inverting Gain Configuration

Layout and Power-Supply Bypassing

The MAX4389/MAX4390/MAX4392–MAX4396 operate from single 4.5V to 11V or from dual $\pm 2.25V$ to $\pm 5.5V$ supplies. Bypass each supply with a 0.1 μ F capacitor as close to the pin as possible.

Maxim recommends using microstrip and stripline techniques to obtain full bandwidth. To ensure that the PCB does not degrade the amplifier's performance, design it for a frequency greater than 1GHz. Pay careful attention to inputs and outputs to avoid large parasitic capacitance. Whether or not you use a constant-impedance board, observe the following design guidelines:

- Do not use wire-wrap boards; they are too inductive.
- Do not use IC sockets; they increase parasitic capacitance and inductance.
- Use surface-mount instead of through-hole components for better, high-frequency performance.
- Use a PCB with at least two layers; it should be as free from voids as possible.
- Keep signal lines as short and as straight as possible. Do not make 90° turns; round all corners.

Low-Power Disable Mode

The MAX4389/MAX4393/MAX4394/MAX4396 feature a disable function that allows the amplifiers to be placed in a low-power, high-output impedance state. When the disable pin (DISABLE) is active, the amplifier's output impedance is 95k Ω . This high resistance and the low 2pF output capacitance make the MAX4389/MAX4390/MAX4392–MAX4396 in RF/video multiplexer or switch applications. For larger arrays, pay careful attention to capacitive loading (see the *Output Capacitive Loading and Stability* section).

Output Capacitive Loading and Stability

The MAX4389/MAX4390/MAX4392–MAX4396 are optimized for AC performance. They are not designed to drive highly reactive loads, which decrease phase margin and may produce excessive ringing and oscillation. Figure 2 shows a circuit that eliminates this problem. Figure 3 is a graph of the Optimal Isolation Resistor (R_S) vs. Capacitive Load. Figure 4 shows how a capacitive load causes excessive peaking of the amplifier's frequency response if the capacitor is not isolated from the amplifier by a resistor. A small isolation resistor (usually 10 Ω to 15 Ω) placed before the reactive load prevents ringing and oscillation. At higher capacitive loads, AC performance is controlled by the interaction of the load capacitance and the isolation resistor. Figure 5 shows the effect of a 15 Ω isolation resistor on closed-loop response.

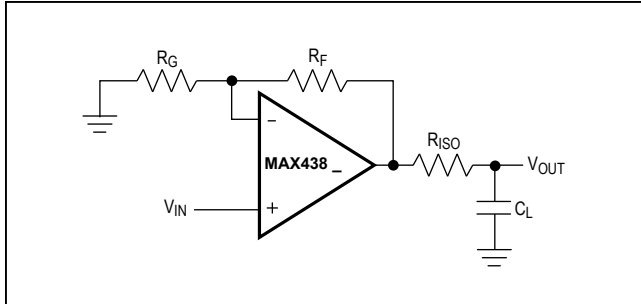


Figure 2. Driving a Capacitive Load Through an Isolation Resistor

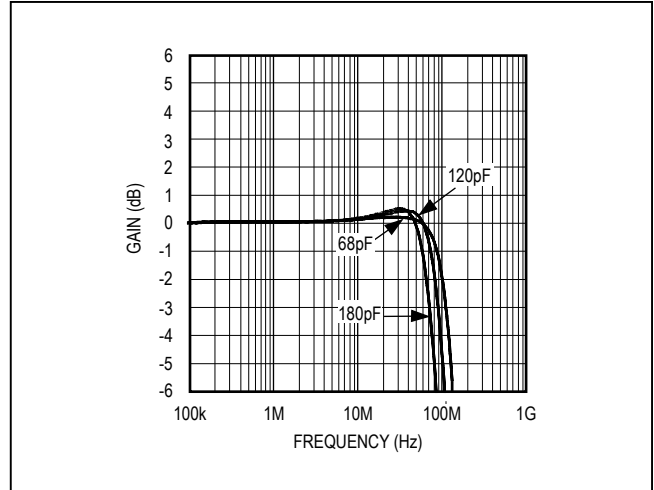


Figure 5. Small-Signal Gain vs. Frequency with Load Capacitance and 27Ω Isolation Resistor

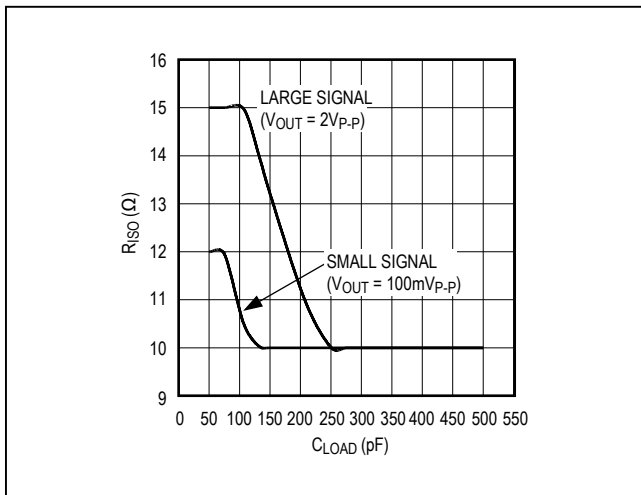


Figure 3. Isolation Resistance vs. Capacitive Load

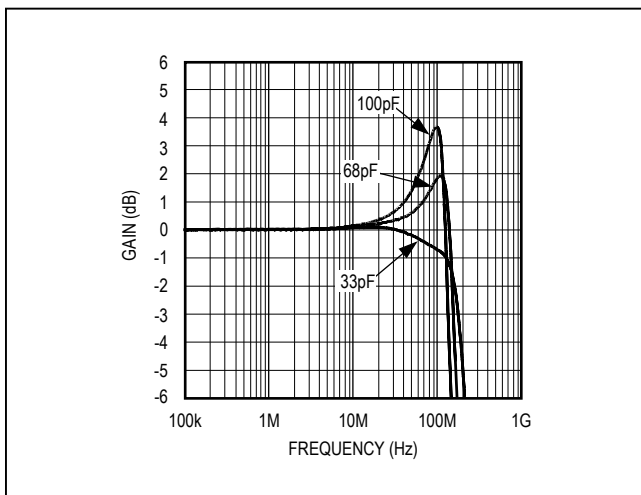
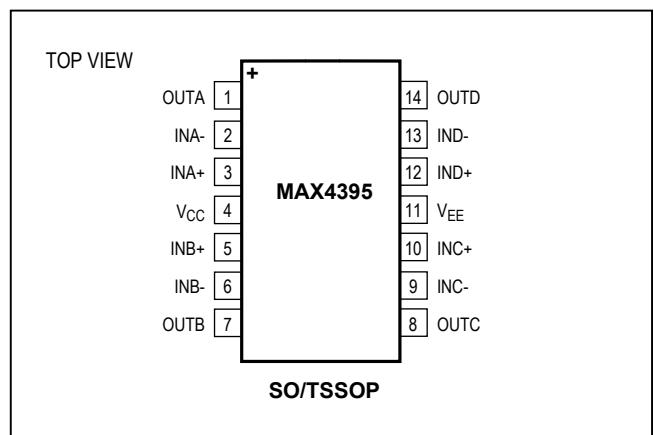
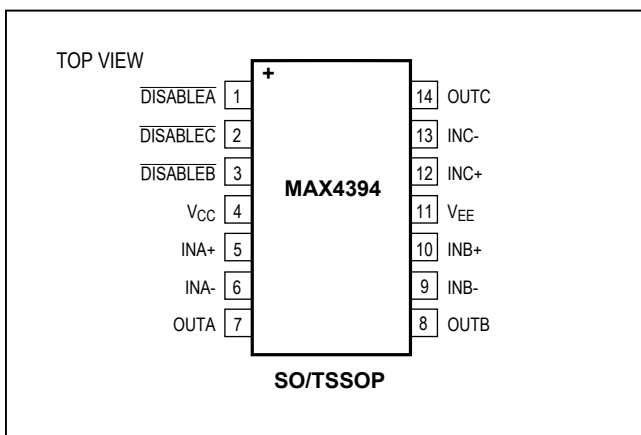
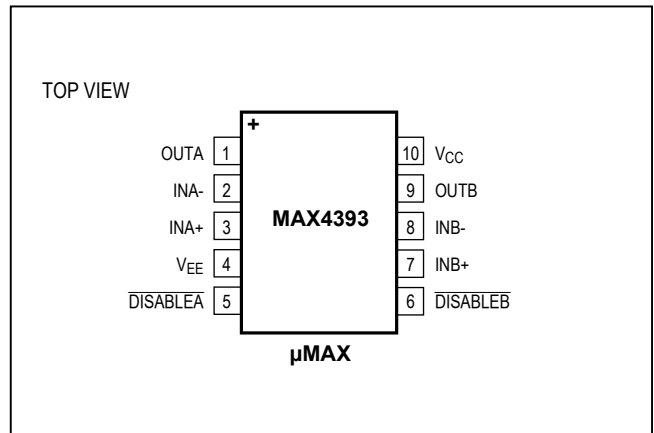
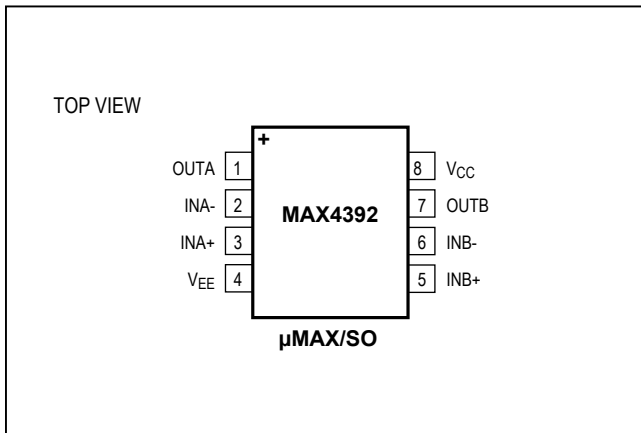
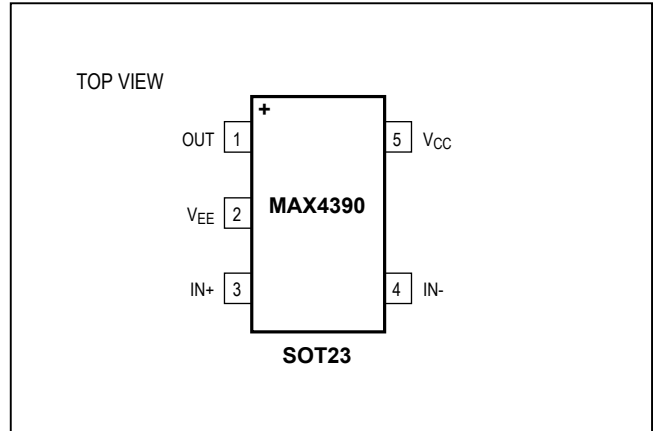
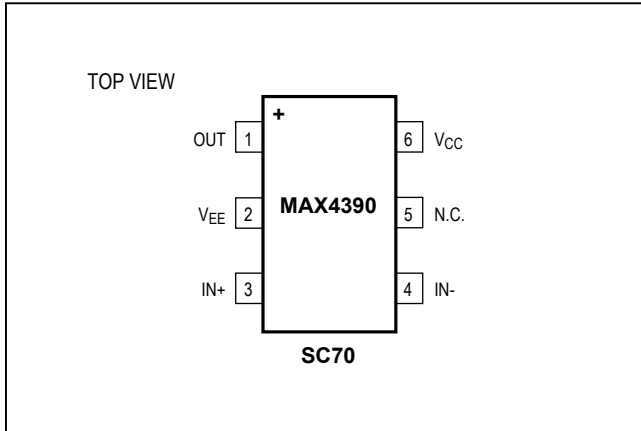


Figure 4. Small-Signal Gain vs. Frequency with Load Capacitance and No Isolation Resistor

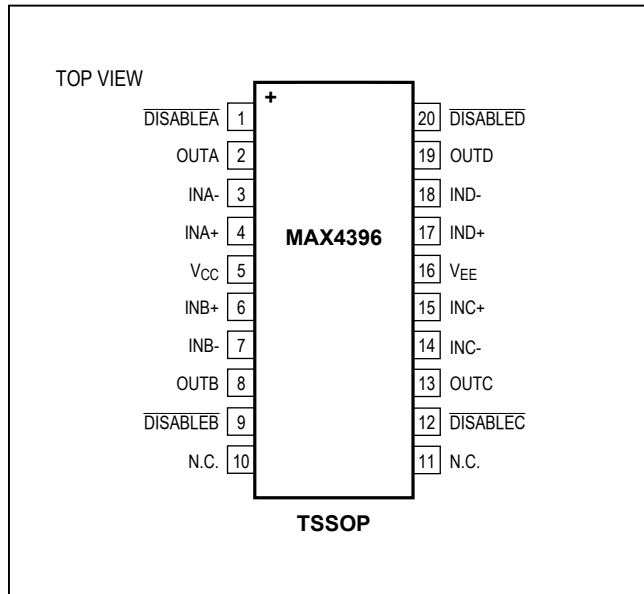
Chip Information

PROCESS: BiCMOS

Pin Configurations (continued)



Pin Configurations (continued)



Ordering Information (continued)

| PART | TEMP RANGE | PIN-PACKAGE | TOP MARK |
|----------------------|----------------|-------------|----------|
| MAX4392 ESA+T | -40°C to +85°C | 8 SO | — |
| MAX4392EUA+T | -40°C to +85°C | 8 μMAX | — |
| MAX4393 EUB+T | -40°C to +85°C | 10 μMAX | — |
| MAX4394 ESD+T | -40°C to +85°C | 14 SO | — |
| MAX4394EUD+T | -40°C to +85°C | 14 TSSOP | — |
| MAX4395 ESD+T | -40°C to +85°C | 14 SO | — |
| MAX4395EUD+T | -40°C to +85°C | 14 TSSOP | — |
| MAX4396 EUP+T | -40°C to +85°C | 20 TSSOP | — |

+Denotes a lead(Pb)-free/RoHs-compliant package.

/V denotes an automotive qualified part.

T = Tape and reel.

Selector Guide

| PART | NO. OF AMPS | DISABLE |
|---------|-------------|---------|
| MAX4389 | 1 | Yes |
| MAX4390 | 1 | No |
| MAX4392 | 2 | No |
| MAX4393 | 2 | Yes |
| MAX4394 | 3 | Yes |
| MAX4395 | 4 | No |
| MAX4396 | 4 | Yes |

Package Information

For the latest package outline information and land patterns (footprints), go to www.maximintegrated.com/packages. Note that a "+", "#", or "-" in the package code indicates RoHS status only. Package drawings may show a different suffix character, but the drawing pertains to the package regardless of RoHS status.

| PACKAGE TYPE | PACKAGE CODE | OUTLINE NO. | LAND PATTERN NO. |
|--------------|--------------|-------------------------|-------------------------|
| 6 SC70 | X6SN+1 | 21-0077 | 90-0189 |
| 6 SOT23 | U6SN+1 | 21-0058 | 90-0175 |
| 5 SOT23 | U5+1 | 21-0057 | 90-0174 |
| 8 μ MAX | U8+1 | 21-0036 | 90-0092 |
| 10 μ MAX | U10+2 | 21-0061 | 90-0330 |
| 8 SO | S8+2 | 21-0041 | 90-0096 |
| 14 SO | S14+1 | 21-0041 | 90-0112 |
| 14 TSSOP | U14+1 | 21-0066 | 90-0113 |
| 20 TSSOP | U20+3 | 21-0066 | 90-0116 |

Revision History

| REVISION NUMBER | REVISION DATE | DESCRIPTION | PAGES CHANGED |
|-----------------|---------------|---|---------------|
| 4 | 11/09 | Added automotive qualified parts | 2, 15 |
| 5 | 5/14 | Revised package codes | 16 |
| 6 | 4/15 | Removed automotive packages from data sheet | 1, 15 |

For pricing, delivery, and ordering information, please contact Maxim Direct at 1-888-629-4642, or visit Maxim Integrated's website at www.maximintegrated.com.

Maxim Integrated cannot assume responsibility for use of any circuitry other than circuitry entirely embodied in a Maxim Integrated product. No circuit patent licenses are implied. Maxim Integrated reserves the right to change the circuitry and specifications without notice at any time. The parametric values (min and max limits) shown in the Electrical Characteristics table are guaranteed. Other parametric values quoted in this data sheet are provided for guidance.

Looking for pricing, stock, or lifecycle information?

Click below to explore more details on WIN SOURCE:

- ⊖ [View MAX4394ESD+](#) on WIN SOURCE
- ⊖ [Maxim Integrated](#) Information

Optimize Your Supply Chain with WIN SOURCE Solutions

- ✓ Global Sourcing Solution
- ✓ Obsolete Management
- ✓ Cost Control Management
- ✓ Shortage Management
- ✓ Alternative Solution
- ✓ Excess Inventory Management