



# THE DATASHEET OF MAX2901ETI+T



## 200mW Single-Chip Transmitter ICs for 868MHz/915MHz ISM Bands

### General Description

The MAX2900–MAX2904 complete single-chip 200mW transmitters are designed for use in the 868MHz/915MHz frequency bands. The MAX2900/MAX2901/MAX2902 are compliant with the FCC CFR47 part 15.247 902MHz to 928MHz ISM-band specifications. MAX2903/MAX2904 are compliant with the ETSI EN330-220 specification for the European 868MHz ISM band.

These transmitter ICs offer a high level of integration while minimizing the number of external components. This is achieved by full integration of the transmit modulator, power amplifier, RF VCO, 8-channel frequency synthesizer, and baseband PN sequence lowpass filter. By filtering the BPSK modulation, the spurious emissions are reduced, enabling up to eight independent transmit channels in the U.S. ISM band. Inputs are provided for spread-spectrum BPSK, ASK, and OOK. FM can be achieved by directly modulating the VCO. The devices are intended primarily for use with an external differential antenna.

### Applications

- Automatic Meter Reading
- Wireless Security Systems/Alarms
- Wireless Sensors
- Wireless Data Networks
- Wireless Building Control

### Features

- ◆ Versions for U.S. 902MHz to 928MHz Band and European 868MHz Band
- ◆ -7dBm to +23dBm Adjustable Differential RF Output Power
- ◆ +23dBm Output Power at 4.5V, +20dBm Output Power at 3.0V
- ◆ Support BPSK, OOK, ASK, and FM Modulations
- ◆ Modulation Filter for Direct Sequence BPSK up to 8Mchips/s
- ◆ Fully Integrated VCO with On-Chip Tank
- ◆ Extremely Low Frequency Pulling for OOK Modulation (typ 60kHz peak, 5kHz RMS)
- ◆ Integrated Frequency Synthesizer for up to 8 Channels (MAX2900)
- ◆ +2.7V to +4.5V Supply Operation
- ◆ Small 28-Pin QFN Package with Exposed Pad (5mm × 5mm)

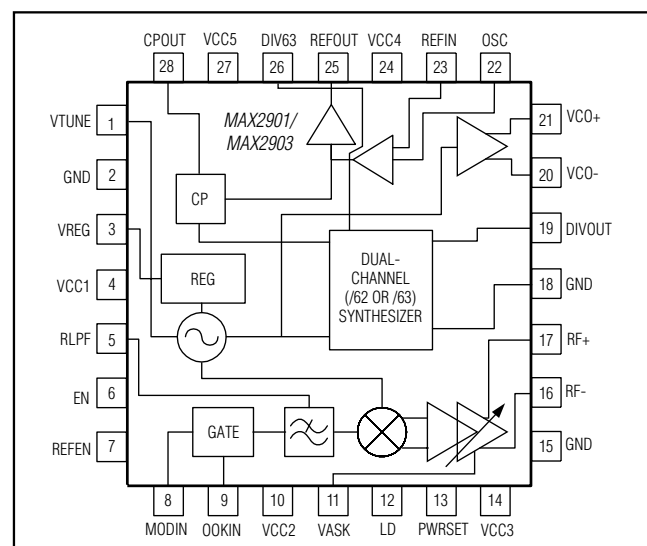
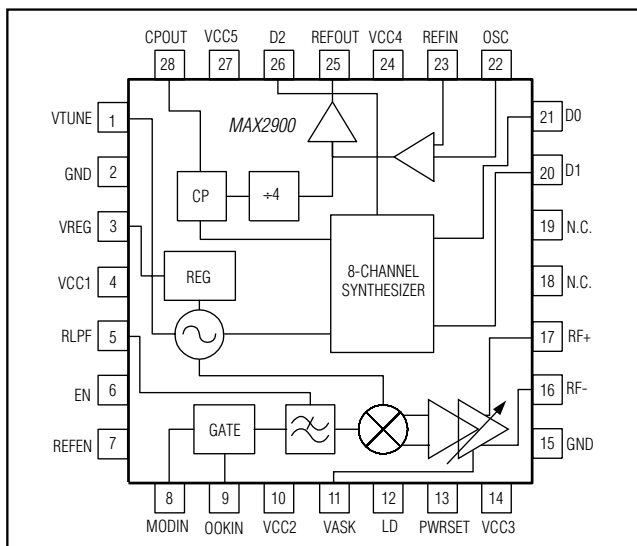
### Ordering Information

PART	TEMP RANGE	PIN-PACKAGE
MAX2900ETI+	-40°C to +85°C	28 QFN-EP*
MAX2901ETI+	-40°C to +85°C	28 QFN-EP*
MAX2902ETI+	-40°C to +85°C	28 QFN-EP*
MAX2903ETI+	-40°C to +85°C	28 QFN-EP*
MAX2904ETI+	-40°C to +85°C	28 QFN-EP*

+Denotes a lead(Pb)-free/RoHS-compliant package.

\*Exposed pad

### Functional Diagrams/Pin Configurations



Functional Diagrams/Pin Configurations are continued at end of data sheet.

**For pricing, delivery, and ordering information, please contact Maxim Direct at 1-888-629-4642, or visit Maxim's website at [www.maximintegrated.com](http://www.maximintegrated.com).**

# MAX2900–MAX2904

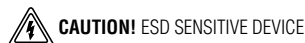
## 200mW Single-Chip Transmitter ICs for 868MHz/915MHz ISM Bands

### ABSOLUTE MAXIMUM RATINGS

V<sub>CC</sub> to GND .....-0.3V to +5.0V  
 Analog/Digital Input Voltage to GND.....-0.3V to (V<sub>CC</sub> + 0.3V)  
 Analog/Digital Input Current .....±10μA  
 Continuous Power Dissipation (T<sub>A</sub> = +70°C)  
 28-Pin QFN-EP (derate 28.5mW/°C above +70°C).....2W

Operating Temperature Range .....-40°C to +85°C  
 Junction Temperature .....+150°C  
 Storage Temperature Range .....-65°C to +150°C  
 Lead Temperature (soldering, 10s).....+300°C

Stresses beyond those listed under “Absolute Maximum Ratings” may cause permanent damage to the device. These are stress ratings only, and functional operation of the device at these or any other conditions beyond those indicated in the operational sections of the specifications is not implied. Exposure to absolute maximum rating conditions for extended periods may affect device reliability.



### Part Selection Information

Five different versions are available. The versions differ by their frequency band of operation, and by the synthesizer’s mode of operation. The MAX2900 has an internal 8-channel synthesizer.

The MAX2901 and MAX2903 are dual-channel versions with a selectable internal synthesizer division ratio of 62 or 63. The MAX2901 operates in the 902MHz to 928MHz ISM band and the MAX2903 operates in the 867MHz to 870MHz European ISM band.

The MAX2902 and MAX2904 require an off-chip frequency synthesizer. The MAX2902 operates in the 902MHz– 928MHz ISM band and MAX2904 operates in the 867MHz–870MHz European ISM band.

The MAX2901–MAX2904 provide LO outputs to drive a receiver and/or an external synthesizer.

PART	FREQUENCY RANGE (MHz)	SYNTHESIZER	LO OUTPUTS
MAX2900ETI+	902 to 928	Internal 8 selectable channels	No
MAX2901ETI+	902 to 928	Internal 2 selectable channels	Yes
MAX2902ETI+	902 to 928	Off-chip	Yes
MAX2903ETI+	867 to 870	Internal 2 selectable channels	Yes
MAX2904ETI+	867 to 870	Off-chip	Yes

### DC ELECTRICAL CHARACTERISTICS

(V<sub>CC</sub> = +2.7V to +4.5V, EN = OOKIN = REFEN = high, T<sub>A</sub> = -40°C to +85°C. Typical values are at V<sub>CC</sub> = +4.5V, T<sub>A</sub> = +25°C, unless otherwise noted.) (Note 1)

PARAMETER	CONDITIONS		MIN	-3σ	TYP	+3σ	MAX	UNITS
Supply Voltage			2.7		4.5		4.5	V
Supply Current	Shutdown mode: EN = REFEN = low	V <sub>CC</sub> = +4.0V			0.7		10	μA
		V <sub>CC</sub> = +4.5V			60		200	
	Synth mode: OOKIN = low (MAX2900/MAX2901/MAX2903 only)				32		40	mA
	Transmit mode with output matching optimized for +23dBm at +4.5V: PWRSET loaded with 22kΩ resistor	T <sub>A</sub> = -40°C to +85°C			150		200	
Transmit mode with output matching optimized for +20dBm at +3.0V: PWRSET loaded with 22kΩ resistor	T <sub>A</sub> = -40°C to +85°C			110		135		

# MAX2900–MAX2904

## 200mW Single-Chip Transmitter ICs for 868MHz/915MHz ISM Bands

### DC ELECTRICAL CHARACTERISTICS (continued)

(V<sub>CC</sub> = +2.7V to +4.5V, EN = OOKIN = REFEN = high, T<sub>A</sub> = -40°C to +85°C. Typical values are at V<sub>CC</sub> = +4.5V, T<sub>A</sub> = +25°C, unless otherwise noted.) (Note 1)

PARAMETER	CONDITIONS	MIN	-3σ	TYP	+3σ	MAX	UNITS
Supply Current (continued)	Transmit mode with output matching optimized for +17dBm at +3.0V: PWRSET loaded with 36kΩ resistor			75			mA
	Transmit mode with output matching optimized for +14dBm at +3.0V: PWRSET loaded with 51kΩ resistor			57			
	Reference-only mode: EN = low			2		3	
	PA standby mode: OOKIN = low (MAX2902/MAX2904 only)			29		33	
VCO Input Tuning Pin Current	VTUNE = +4.5V, T <sub>A</sub> = +25°C			0.02		2	μA
VREG VCO Regulator Voltage				2.0			V
<b>DIGITAL INPUT/OUTPUTS</b> (PINS EN, REFEN, D0, D1, D2, MODIN, OOKIN, LD)							
Input Level High		V <sub>CC</sub> - 0.5V					V
Input Level Low						0.5	V
Input Bias Current		-10				10	μA
Output Level High		V <sub>CC</sub> - 0.4					V
Output Level Low						0.4	V
Output Current		-100				100	μA
<b>ANALOG CONTROL INPUTS</b> (PINS PWRSET, RLPF, VASK)							
PWRSET Voltage				1.2			V
RLPF Voltage				1.2			V
VASK Input Impedance		100		220		400	kΩ

# MAX2900–MAX2904

## 200mW Single-Chip Transmitter ICs for 868MHz/915MHz ISM Bands

### AC ELECTRICAL CHARACTERISTICS

(MAX290\_ EV kits.  $V_{CC} = +2.7V$  to  $+4.5V$ ,  $R_{RLPF} = 68k\Omega$ ,  $R_{PWRSET} = 22k\Omega$ ,  $f_{RF} = 917.28MHz$  (MAX2900/MAX2901/MAX2902) or  $f_{RF} = 868MHz$  (MAX2903/MAX2904),  $V_{ASK} = V_{REG}$ ,  $f_{REF} = 14.56MHz$  (MAX2900/MAX2901/MAX2902) or  $f_{REF} = 13.62MHz$  (MAX2903/MAX2904), chip rate on MODIN = 1.2Mbps,  $P_{OUT} = +23dBm$ ,  $T_A = -40^\circ C$  to  $+85^\circ C$ . Typical values are at  $V_{CC} = +4.5V$ ,  $T_A = +25^\circ C$ , unless otherwise noted.) (Note 1)

PARAMETER	CONDITIONS	MIN	-3 $\sigma$	TYP	+3 $\sigma$	MAX	UNITS
<b>ANALOG INPUT PINS</b>							
VTUNE Input Capacitance	VTUNE = +1.35V			15			pF
<b>DIGITAL INPUT PINS</b>							
Digital Input Pin Capacitance				3			pF
<b>VCO AND SYNTHESIZERS SECTION</b>							
RFOUT Frequency Range	(MAX2900/MAX2901/MAX2902)	902		917.28		928	MHz
	(MAX2903/MAX2904)	867		868		870	
REFIN Reference Frequency Range	(MAX2900/MAX2901/MAX2902)	14		14.56		15	MHz
	(MAX2903/MAX2904)	13		13.78		14.5	
REFDIV Fixed Reference Divider Ratio	(MAX2900)	4		4		4	
Main Divider Ratios	Table 4 (MAX2900)	249				256	
	(MAX2901/MAX2903)	62				63	
PLL Comparison Frequency	(MAX2900)	3.5		3.64		3.75	MHz
	(MAX2901/MAX2903)	13				15	
VCO Buffer Output Power	300 $\Omega$ differential load (MAX2901–MAX2904)			-12			dBm
REFDIV Fixed Reference Divider Ratio	(MAX2901/MAX2903)	1		1		1	
VCO Phase Noise	At 100kHz offset, measured at RFOUT, PLL loop BW = 5kHz			-101			dBc/Hz
VCO Tuning Gain	(MAX2900/MAX2901/MAX2902)	44		65		86	MHz/V
	(MAX2903/MAX2904)			85			
VCO Frequency Pulling with OOK Modulation	OOKIN clocked at 19kHz, internal (crystal) or external reference frequency			5			kHz RMS
				60			kHz peak
PLL Phase Noise	Measured at RFOUT, 5kHz offset, PLL loop BW = 50kHz			-96			dBc/Hz
REFOUT Voltage Swing		100					mVp-p
CPOUT Charge Pump Current				500			$\mu A$
Reference Spurs				-62			dBc
Reference Input Voltage for Nominal Operation	Using an external frequency reference	200		300			mV
<b>BPSK, OOK MODULATOR, AND PA</b>							
MODIN Frequency Range				1.2		8	Mb/s
Modulation Filter Nominal 3dB Bandwidth				1			MHz
Modulation Filter Final Attenuation	Measured at 30MHz	28		41			dB
Carrier Suppression				28			dB
Noise Power Density	At 960MHz (measured at RFOUT at +23dBm output power)			-150			dBc/Hz

# MAX2900–MAX2904

## 200mW Single-Chip Transmitter ICs for 868MHz/915MHz ISM Bands

### AC ELECTRICAL CHARACTERISTICS (continued)

(MAX290\_ EV kits.  $V_{CC} = +2.7V$  to  $+4.5V$ ,  $R_{RLPF} = 68k\Omega$ ,  $R_{PWRSET} = 22k\Omega$ ,  $f_{RF} = 917.28MHz$  (MAX2900/MAX2901/MAX2902) or  $f_{RF} = 868MHz$  (MAX2903/MAX2904),  $V_{ASK} = V_{REG}$ ,  $f_{REF} = 14.56MHz$  (MAX2900/MAX2901/MAX2902) or  $f_{REF} = 13.62MHz$  (MAX2903/MAX2904), chip rate on MODIN = 1.22Mbps,  $P_{OUT} = +23dBm$ ,  $T_A = -40^\circ C$  to  $+85^\circ C$ . Typical values are at  $V_{CC} = +4.5V$ ,  $T_A = +25^\circ C$ , unless otherwise noted.) (Note 1)

PARAMETER	CONDITIONS		MIN	-3 $\sigma$	TYP	+3 $\sigma$	MAX	UNITS
RF Output Power	PWRSET = 22k $\Omega$ , $V_{CC} = +4.5V$ , $T_A = +25^\circ C$		21	23.5	25			dBm
	PWRSET = 22k $\Omega$ , $V_{CC} = +4.5V$ , $T_A = -40^\circ C$ to $+85^\circ C$		20.5		25			
	PWRSET = 22k $\Omega$ , $V_{CC} = +3.0V$ , $T_A = +25^\circ C$		18	20	21			
RF Output Power Flatness	$f_{RF} = 900MHz$ to $930MHz$ (MAX2900/MAX2901/MAX2902)				0.3			dB
	$f_{RF} = 867MHz$ to $870MHz$				0.1			
Adjacent Channel Power Ratio	PN sequence at 1.22MHz				-17			dBc
Alternate Channel Power Ratio	PN sequence at 1.22MHz				-26			dBc
OOK Control Range			40		80			dB
ASK Output Power Adjustment Range	ASK output power back-off relative to max power	OOKIN = high, VASK = 0			41			dB
		OOKIN = high, VASK = 1V			16			
RFOUT Rise and Fall Time	Square-wave signal applied on OOK				1			$\mu s$
Spurious Emissions	At 2nd harmonic of RF output frequency with external matching network				-50			dBc
	At 3rd harmonic of RF output frequency with external matching network				-51			
	At 4th harmonic of RF output frequency with external matching network				-63			
	Out of 902MHz to 928MHz band other than harmonics with external matching network (MAX2900/MAX2901/MAX2902)				< -70			
	Out of 867MHz to 870MHz band other than harmonics with external matching network (MAX2903/MAX2904)				< -70			
Unlocked, Out-of-Band Spurious Output Level	Any condition when synthesizer unlocked (pin LD low)				< -50			dBm
Noise Level Out of Band	Modulation off, measured at 960MHz, any gain setting (MAX2900/MAX2901/MAX2902)				-126		-120	dBm/Hz
	Modulation off, measured at 900MHz, any gain setting (MAX2903/MAX2904)				-126		-120	
Output VSWR for Guaranteed Stability					2:1			
Maximum Allowable Output VSWR					2:1			

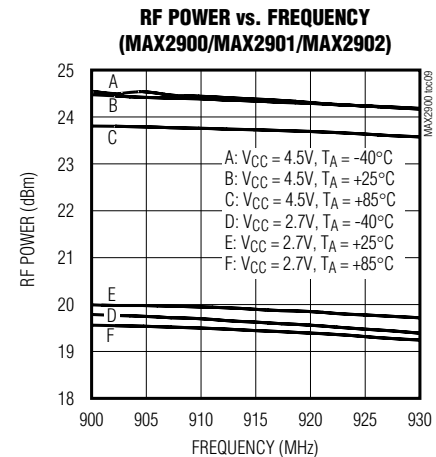
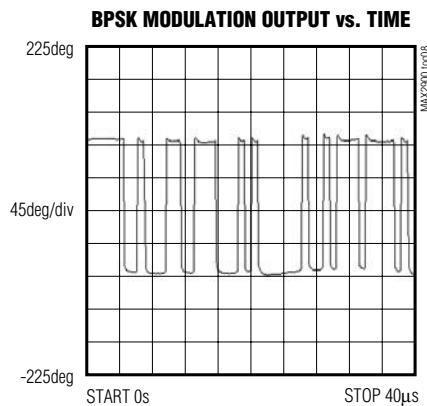
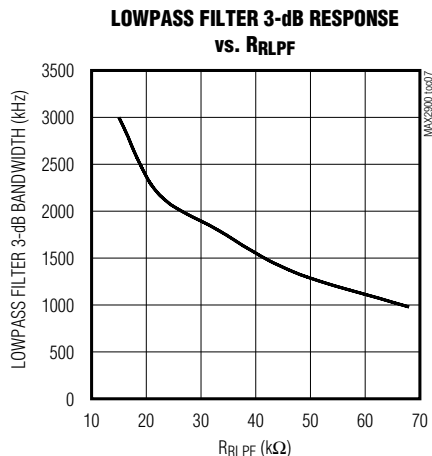
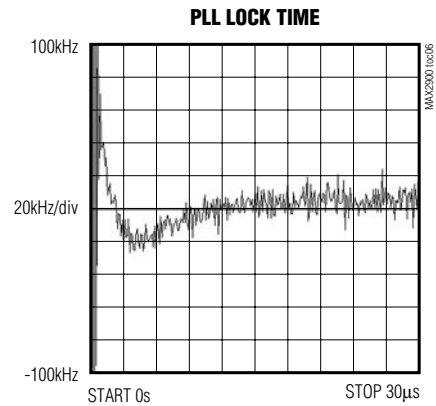
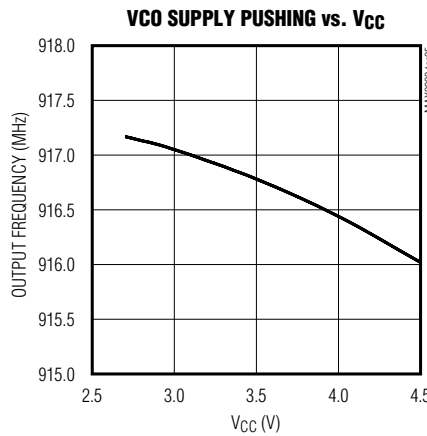
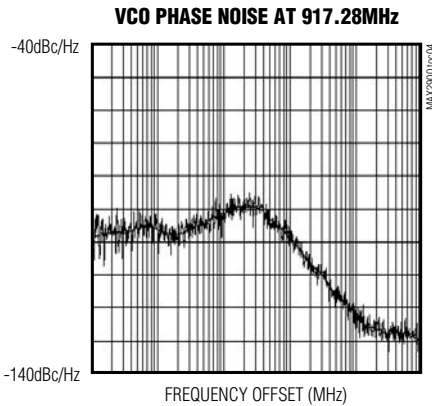
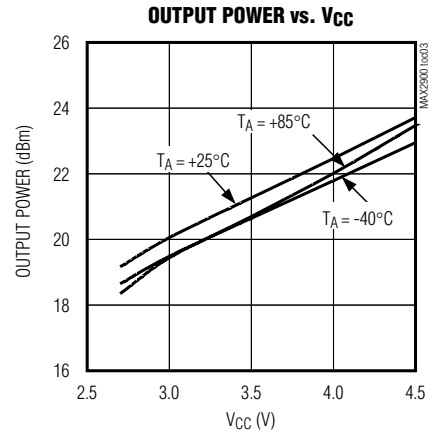
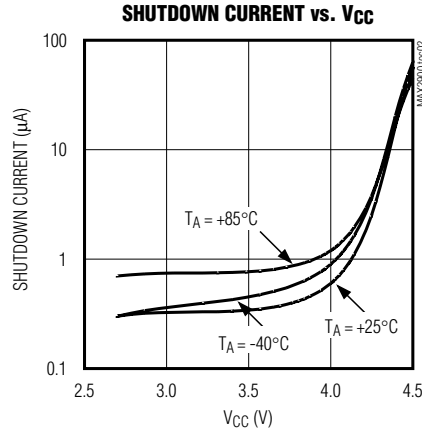
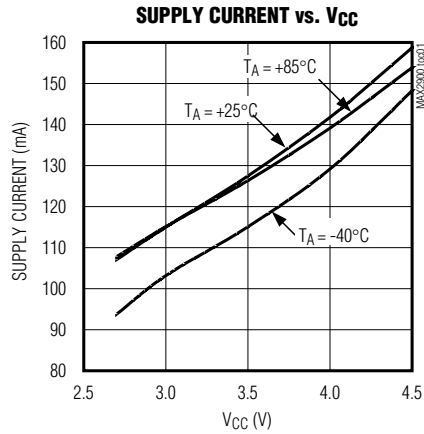
**Note 1:** Devices are production tested at  $T_A = +25^\circ C$  and  $+85^\circ C$ . Min/Max values are guaranteed by design and characterization over temperature and supply voltage.

# MAX2900-MAX2904

## 200mW Single-Chip Transmitter ICs for 868MHz/915MHz ISM Bands

### Typical Operating Characteristics

(MAX290\_ EV kits.  $V_{CC} = +4.5V$ ,  $f_{RF} = 917.28MHz$  (MAX2900/MAX2901/MAX2902) or  $f_{RF} = 868MHz$  (MAX2903/MAX2904),  $R_{RLPF} = 68k\Omega$ ,  $R_{PWRSET} = 22k\Omega$ ,  $V_{ASK} = V_{REG}$ ,  $f_{REF} = 14.56MHz$  (MAX2900/MAX2901/MAX2902) or  $f_{REF} = 13.78MHz$  (MAX2903/MAX2904), chip rate on MODIN = 1.22 Mbps, RF output matching network optimized for +23dBm,  $V_{CC} = 4.5V$ ,  $T_A = +25^\circ C$ , unless otherwise noted.)



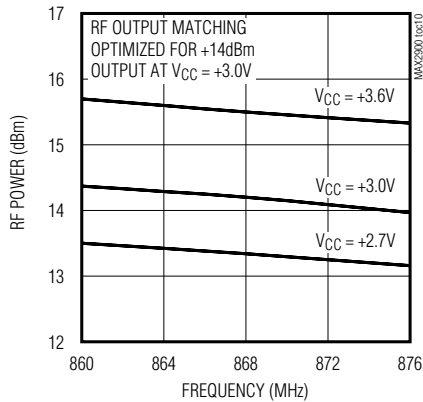
# MAX2900-MAX2904

## 200mW Single-Chip Transmitter ICs for 868MHz/915MHz ISM Bands

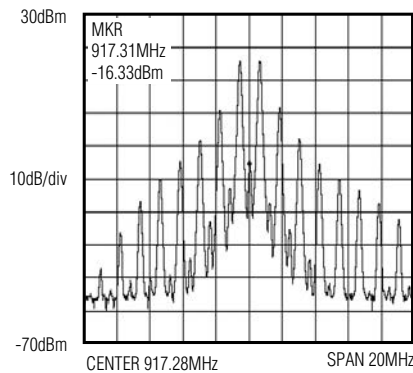
### Typical Operating Characteristics (continued)

(MAX290\_ EV kits.  $V_{CC} = +4.5V$ ,  $f_{RF} = 917.28MHz$  (MAX2900/MAX2901/MAX2902) or  $f_{RF} = 868MHz$  (MAX2903/MAX2904),  $R_{RLPF} = 68k\Omega$ ,  $R_{PWRSET} = 22k\Omega$ ,  $V_{ASK} = V_{REG}$ ,  $f_{REF} = 14.56MHz$  (MAX2900/MAX2901/MAX2902) or  $f_{REF} = 13.78MHz$  (MAX2903/MAX2904), chip rate on MODIN = 1.22 Mbps, RF output matching network optimized for +23dBm,  $V_{CC} = 4.5V$ ,  $T_A = +25^\circ C$ , unless otherwise noted.)

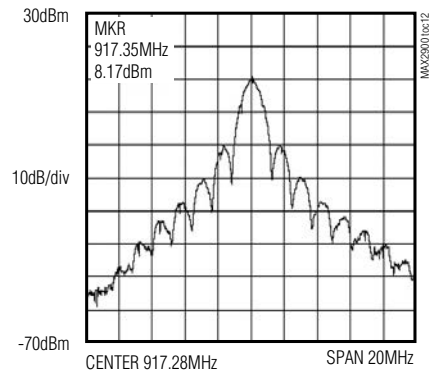
**RF POWER vs. FREQUENCY  
(MAX2903/MAX2904)**



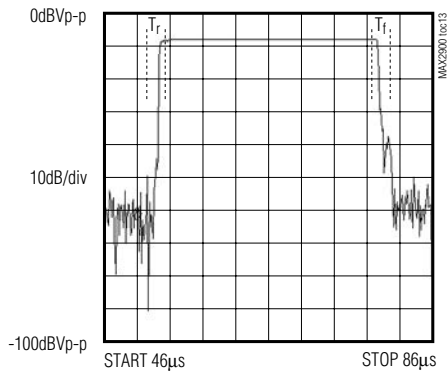
**OUTPUT SPECTRUM WITH 600kHz SQUARE WAVE INPUT AT MODIN**



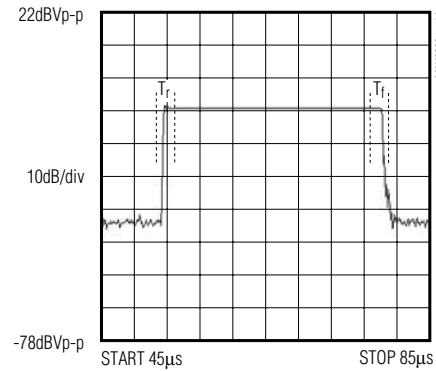
**OUTPUT SPECTRUM WITH PN SEQUENCE AT 1.22MHz AT MODIN**



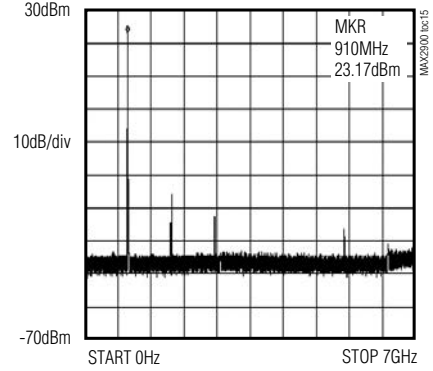
**RF OUT RISE AND FALL TIME TRANSIENT WITH SQUARE OOK**



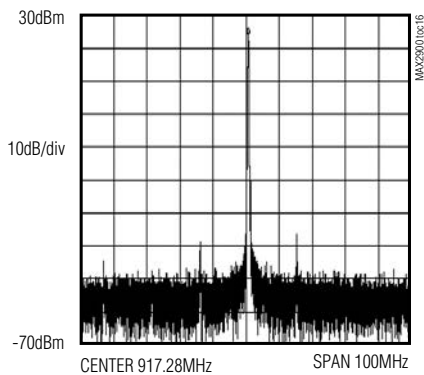
**RF OUT RISE AND FALL TIME TRANSIENT WITH SQUARE ASK**



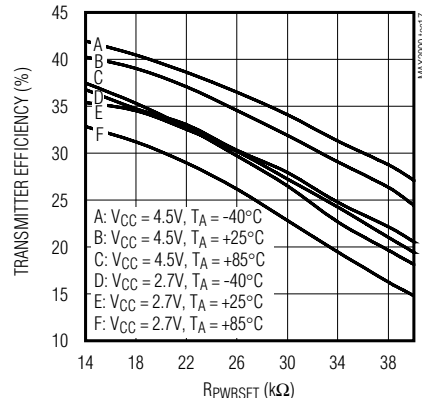
**SPURIOUS LEVEL FROM DC TO 7TH HARMONIC**



**SPURIOUS LEVEL BETWEEN ±50MHz FROM CARRIER FREQUENCY**



**TRANSMITTER EFFICIENCY vs. RpWRSET**



# MAX2900–MAX2904

## 200mW Single-Chip Transmitter ICs for 868MHz/915MHz ISM Bands

### Pin Description

PIN			NAME	PIN TYPE	FUNCTION
MAX2900	MAX2901 MAX2903	MAX2902 MAX2904			
1	1	1	VTUNE	Analog Input	VCO tuning voltage input
2	2	2	GND	Supply Pin	Ground
3	3	3	VREG	Analog Input/Output	Regulated voltage output to supply the VCO. Bypass with a 0.01 $\mu$ F capacitor to GND as close to the part as possible.
4	4	4	VCC1	Supply Pin	Power supply pin for VCO circuits. Bypass with a 1000pF and a 10 $\mu$ F capacitor to GND as close to the part as possible.
5	5	5	RLPF	Analog Input Resistor to Ground	Resistor to ground on this pin sets the modulation filter bandwidth.
6	6	6	EN	Digital Input	Chip-enable digital input pin. Set EN low maintain the chip in power-down mode.
7	7	7	REFEN	Digital Input	Enable for crystal oscillator and frequency reference buffer.
8	8	8	MODIN	Digital Input	BPSK modulation input
9	9	9	OOKIN	Digital Input	On-off keying modulation. On state = high.
10	10	10	VCC2	Supply	Power supply pin for internal RF buffer circuits. Bypass with a 100pF and a 0.01 $\mu$ F capacitor to GND as close to the part as possible.
11	11	11	VASK	Analog Voltage Input	ASK voltage input pin
12	12	—	LD	Digital Output	Lock detector output digital pin. Level is high when PLL is inside lock range.
—	—	12	D.C.	Do NOT Connect	—
13	13	13	PWRSET	Analog Input Resistor to Ground	Current input set to adjust output power.
14	14	14	VCC3	Supply	Power supply pin for RF power amplifier circuits. Bypass with a 100pF capacitor to GND as close to the part as possible.

# MAX2900–MAX2904

## 200mW Single-Chip Transmitter ICs for 868MHz/915MHz ISM Bands

### Pin Description (continued)

PIN			NAME	PIN TYPE	FUNCTION
MAX2900	MAX2901 MAX2903	MAX2902 MAX2904			
15	15	15	GND	Supply Pin	Ground
16, 17	16, 17	16, 17	RF-, RF+	RF Output	RF differential output, open-collector type
18	—	—	N.C.	Not Connected	—
—	18	—	GND	Supply Pin	Ground
—	—	18	D.C.	Do Not Connect	—
19	—	19	N.C.	Not Connected	—
—	19	—	DIVOUT	ECL Output	Divider output
—	20, 21	20, 21	VCO-, VCO+	Open Collector RF	VCO output (differential)
20	—	—	D1	Digital Input	Channel selection bit 1
21	—	—	D0	Digital Input	Channel selection bit 0
22	22	22	OSC	Analog Input	Crystal oscillator connection. See <i>Typical Operating Circuit</i> .
23	23	23	REFIN	Analog Voltage Input	Reference input pin analog (can be used as input or as crystal oscillator driver). See <i>Typical Operating Circuit</i> .
24	24	—	VCC4	Supply Pin	Power-supply pin for the synthesizer circuits. Bypass with a 1000pF capacitor to GND as close to the part as possible.
—	—	24	VCC4	Supply Pin	Power-supply pin for the digital circuits. Bypass with a 100pF capacitor to GND as close to the part as possible.
25	25	25	REFOUT	Analog Output	Buffered clock analog output pin
26	—	—	D2	Digital Input	Channel selection bit 2
—	26	—	DIV63	Digital Input	Division ratio selections (division ratio = 62 when DIV63 = high; division ratio = 63 when DIV63 = low).
—	—	26	N.C.	Not Connected	—
27	27	—	VCC5	Supply Pin	Power-supply pin for charge pump circuits. Bypass with a 100pF capacitor to GND as close to the part as possible.
—	—	27	VCC5	Supply Pin	Power-supply pin. Bypass with a 100pF capacitor to GND as close to the part as possible.
28	28	—	CPOUT	Analog Output	Charge pump output pin
—	—	28	D.C.	Do Not Connect	—
GROUND	GROUND	GROUND	GROUND	Electrical Ground	Back side of package is connected to ground.

# MAX2900–MAX2904

## 200mW Single-Chip Transmitter ICs for 868MHz/915MHz ISM Bands

### Detailed Description

#### Principles of Operation

When EN goes high, the reference and the VCO start while the PA stays in the off mode. For MAX2900/MAX2901/MAX2903, the PLL also starts when EN goes high. After the lock-detect pin LD goes high, the PA is set to stand-by mode. For the MAX2902/MAX2904, the VCO loop has to be closed by using an external synthesizer. After this, pulling OOKIN high turns on the PA. The internal modulation filter smoothes the power ramp-up of the PA.

The modulation filter BW is typically 0.8MHz, used for a 1.22Mbps chip rate, and can be adjusted by varying RLPF. A high value can be used for RLPF to get a slow PA ramping up when BPSK is not used.

The reference blocks can be turned on separately (and earlier) by pulling REFEN high, to allow the crystal frequency to settle.

The device supports various modulation modes:

- BPSK, filtered by the internal modulation filter, is obtained through the MODIN pin. This is the preferred mode of operation for MAX2900.
- OOK is obtained digitally with the OOKIN pin.
- ASK is obtained through the ASK pin.
- FM is imposed on the VCO or the reference.
- FM is the preferred mode of operation for the MAX2903/MAX2904 due to the narrowband operation common in Europe.

The maximum output power is set by the output matching network and the external biasing resistor on the PWRSET pin.

For the MAX2901–MAX2904, differential LO outputs are provided to drive a companion receiver and/or an external synthesizer.

#### Power-Up Modes

The circuit has four modes of operations, defined as follows:

- 1) Shutdown mode: Pin EN and REFEN are low, all functions are off, and the current consumption is leakage only.
- 2) Synth mode: Pin EN and REFEN are high, pin OOKIN is low. The reference circuits, VCO, and synthesizer are turned on. The power amplifier is in stand-by mode. Total current is less than 50mA. Note that as long as the LD pin is not going high, indicating that the PLL is unlocked, OOKIN high is ignored.

- 3) Transmit mode: Pin EN and REFEN are high. If output pin LD is high, the device is ready to transmit. When OOKIN is high, the power amplifier is turned on. The current consumption varies between 50mA and 120mA, depending on the output power requested by the combination of the OOK duty cycle, the PWRSET value, and output matching circuit.
- 4) Reference Only mode: This mode enables the use of the crystal reference from the IC to drive the external logic ICs. To obtain this mode, set the REFEN pin high and EN low. In this mode, only the reference circuit turns on, the crystal oscillator starts, and the clock is present at the REFOUT pin. The current consumption remains much lower than that in the SYNTH mode because the VCO, synthesizer, and PA standby circuits are off. When EN goes high, the IC goes into the SYNTH mode.

#### Synthesizer Programming

The three pins D0–D2 (MAX2900) and DIV63 (MAX2901/MAX2903) are used as digital entries to program the synthesizer division ratios. Tables 4 and 5 show the division ratios obtained for the various pin logic levels.

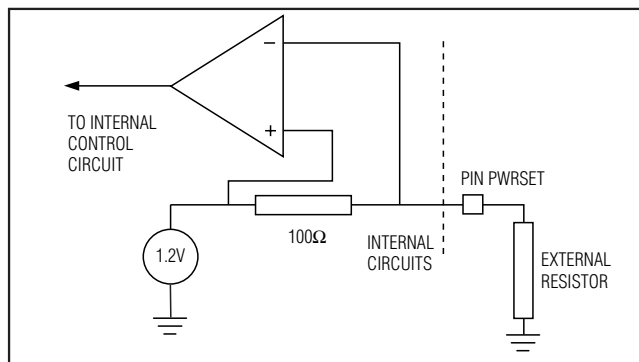


Figure 1. PIN PWRSET Equivalent Circuit

#### Analog Input Control Pins

The two pins PWRSET and VASK are analog inputs used to control the power of the transmitter. The equivalent input schematics are defined in Figures 1, 2, and 3. The PWRSET pin sets the biasing of the amplification chain. Because the last stage of the amplifier operates in saturation, the output power mostly depends on the load and supply voltage. The purpose of the PWRSET resistor is to achieve optimum biasing (and therefore efficiency) for various maximum output power configurations. For a given application with a known operating voltage and peak power, a fixed value of resistor is determined. The output power range of -7dBm to +23dBm at 4.5V is obtained by choosing a combination of output load line and the resistor on PWRSET; 22kΩ is

# MAX2900-MAX2904

## 200mW Single-Chip Transmitter ICs for 868MHz/915MHz ISM Bands

used on the EV kit board for +23dBm output power at 4.5V, and 22k $\Omega$  is also recommended for +20dBm output power at +3.0V. For +17dBm at 3.0V, 36k $\Omega$  is recommended. The current consumption, efficiency, and distortion in the amplification chain are affected by the choice of the resistor RPWRSET, offering a lot of design flexibility.

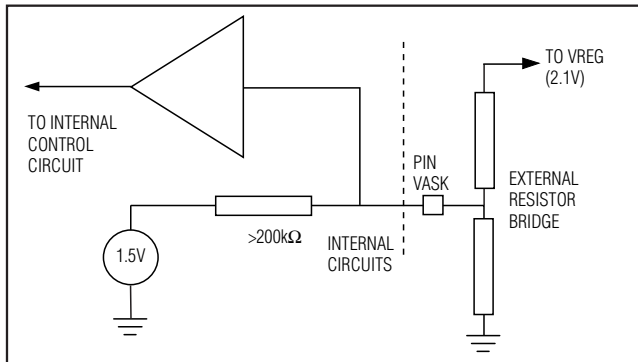


Figure 2. PIN VASK Equivalent Circuit

The VASK pin is an input to the internal gain control circuitry. The gain control is greater than 30dB over the full range of input voltages from 0 to VREG = 2.1V. This input is used for ASK modulation. At 1V, a typical 15dB attenuation is obtained from the peak power. When this input is not used, connect VASK to VREG.

The RLPF input controls the modulation filter center frequency.

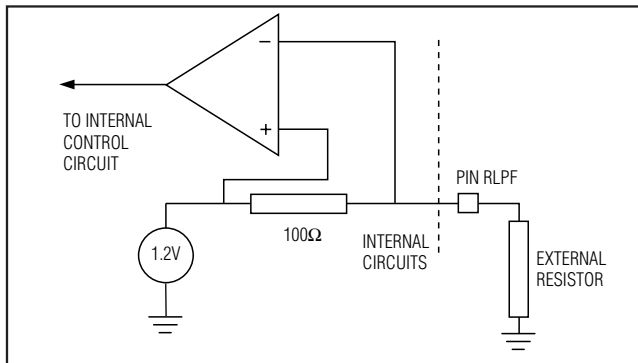


Figure 3. PIN RLPF Equivalent Circuit

The RLPF pin sets the bandwidth of the modulation filter. The default filter bandwidth, obtained with a 68k $\Omega$  resistor, is for 1.2Mchips/s. The bandwidth is increased to accommodate 5Mchips/s by decreasing the resistor value to about 26k $\Omega$ . The minimum value for the resistor is 12k $\Omega$ , which generates the maximum filter bandwidth. A higher value can be used in FM mode to set up a slow ramp-up time for the PA.

### Data Filter Characteristics

The data filter approximates a 3rd-order Butterworth filter. The 3dB cut-off frequency is adjusted through the resistor on pin RLPF, which controls the first two poles of the filter (the last high-frequency pole is fixed and set around 10MHz). The filter is adjustable in a range from approximately 700kHz to 7MHz.

With the nominal setting (3dB cut off at 0.8MHz), the filter attenuation is 10dB at 3.6MHz. If used with a BPSK at 1.22MHz, this provides about 30dB of modulation rolloff at 3.6MHz. Hence, a significant channelization effect is obtained.

In the wideband setting (3dB cut off at 5MHz), the attenuation at 30MHz is still 30dB, helping to pass the FCC spurious emissions at 960MHz.

# MAX2900–MAX2904

## 200mW Single-Chip Transmitter ICs for 868MHz/915MHz ISM Bands

**Table 1. MAX2900 Power-Up Modes**

LOGIC LEVEL			INTERNAL BLOCK STATUS			
REFEN	EN	OOKIN	REFERENCE	VCO MOD FILTER	SYNTHESIZER	PA
0	0	X	Off	Off	Off	Off
1	0	X	On	Off	Off	Off
1	1	0	On	On	On	Off
1	1	1	On	On	On	On only after LD goes high

**Table 2. MAX2901/MAX2903 Power-Up Modes**

REFEN	EN	OOKIN	REFERENCE	VCO MOD FILTER	SYNTHESIZER	PA
0	0	X	Off	Off	Off	Off
1	0	X	On	Off	Off	Off
1	1	0	On	On	On	Off
1	1	1	On	On	On	On only after LD goes high

**Table 3. MAX2902/MAX2904 Power-Up Modes**

REFEN	EN	OOKIN	REFERENCE	VCO MOD FILTER	PA
0	0	X	Off	Off	Off
1	0	0	On	Off	Off
0	1	0	Off	On	Off
1	1	0	On	On	Off
0	1	1	Off	On	On
1	1	1	On	On	On

**Table 4. MAX2900 Synthesizer Programming**

D0	D1	D2	DIVISION RATIO
0	1	1	249
0	1	0	250
0	0	1	251
0	0	0	252
1	1	1	253
1	1	0	254
1	0	1	255
1	0	0	256

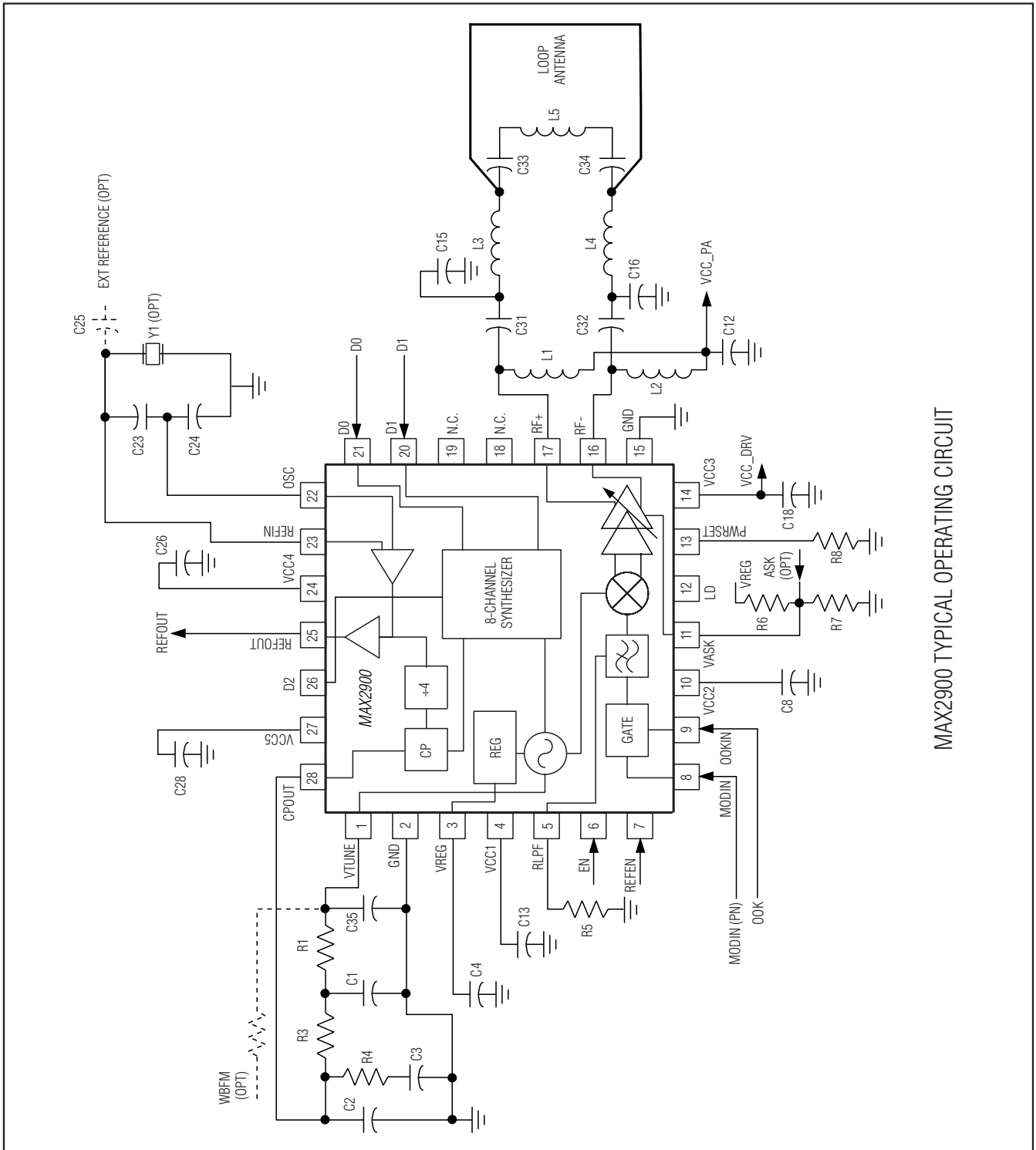
**Table 5. MAX2901/MAX2903 Synthesizer Programming**

DIV 63	DIVISION RATIO
0	62
1	63

# MAX2900-MAX2904

## 200mW Single-Chip Transmitter ICs for 868MHz/915MHz ISM Bands

### Typical Operating Circuits

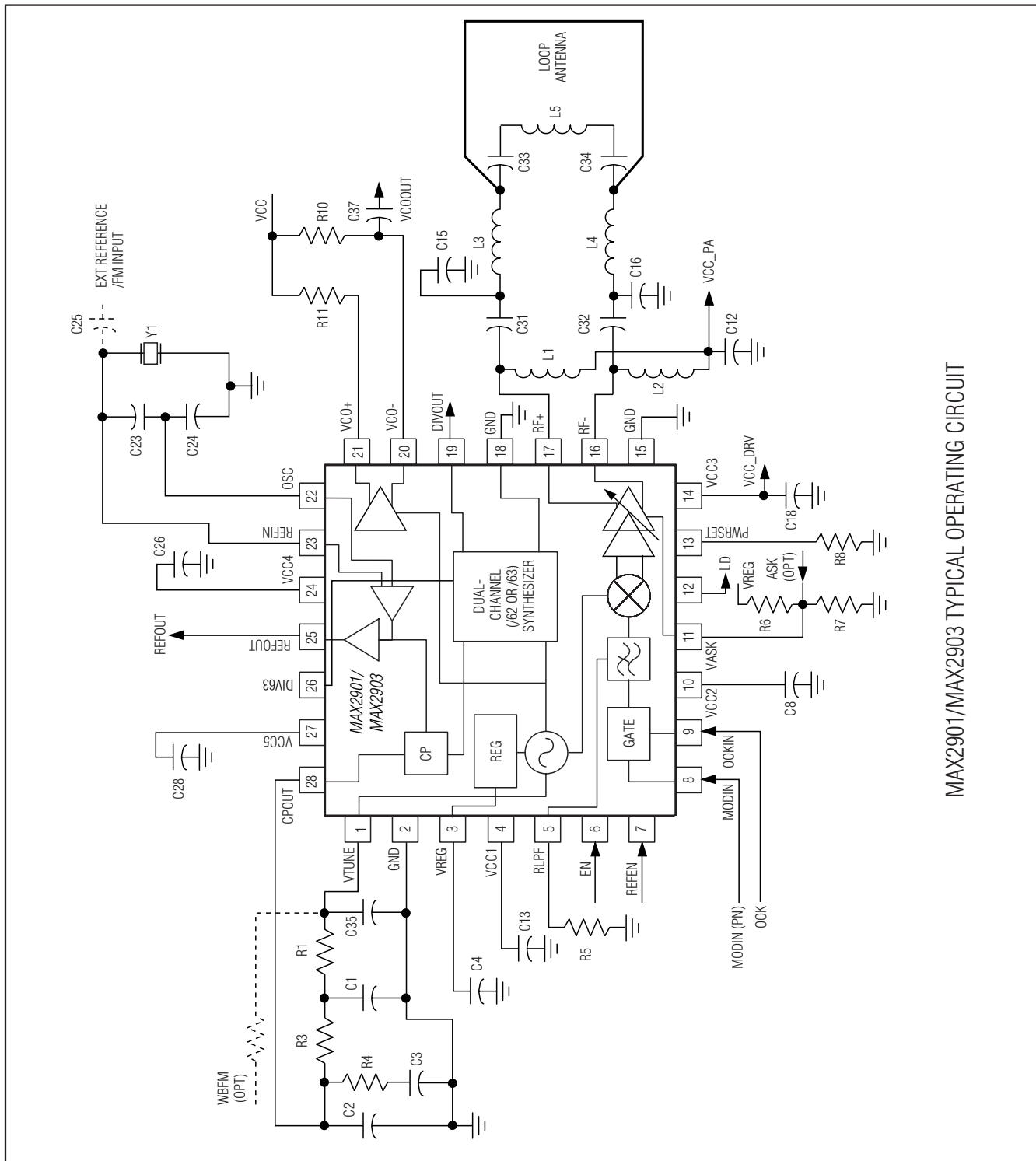


MAX2900 TYPICAL OPERATING CIRCUIT

# MAX2900-MAX2904

## 200mW Single-Chip Transmitter ICs for 868MHz/915MHz ISM Bands

### Typical Operating Circuits (continued)

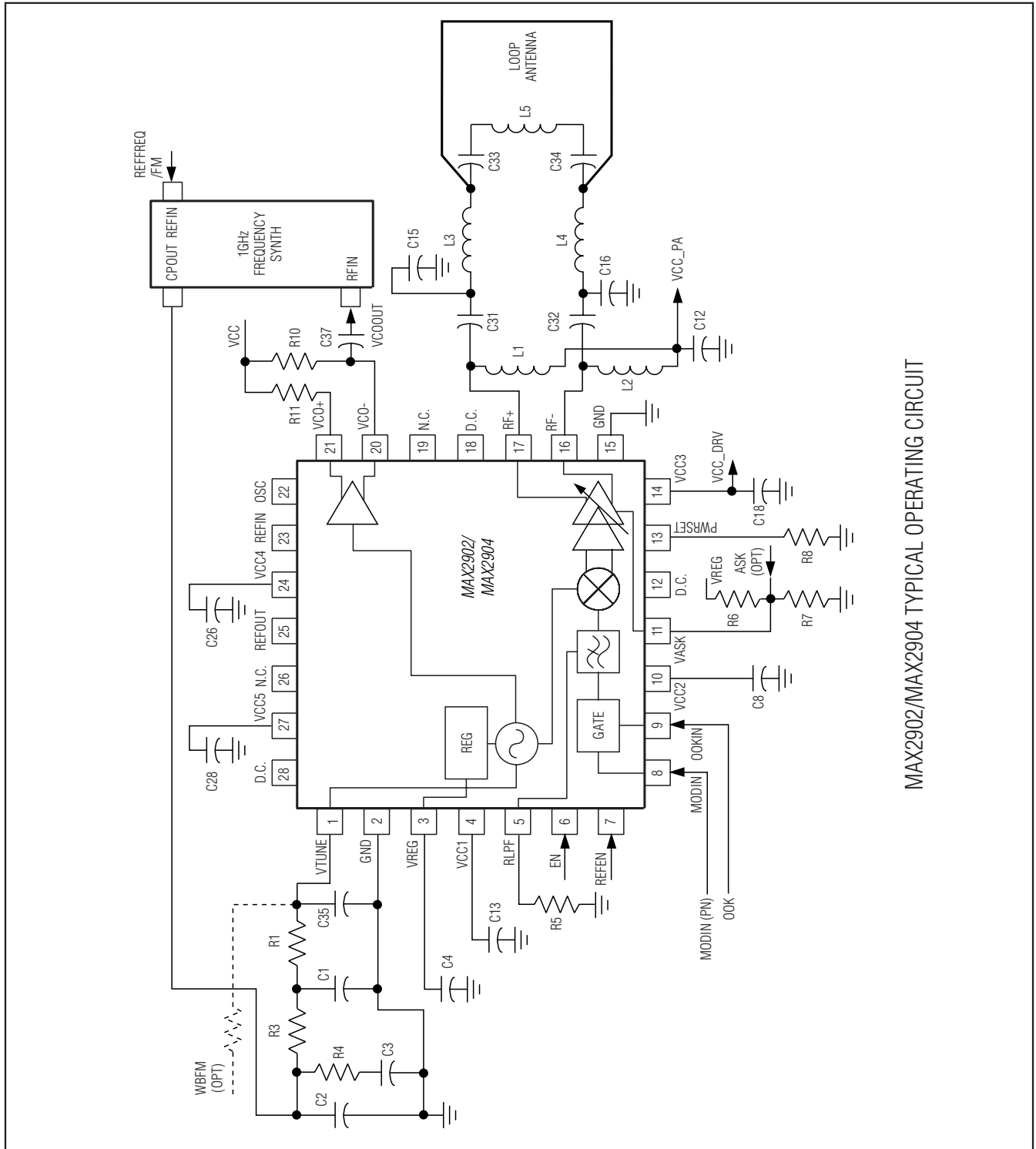


MAX2901/MAX2903 TYPICAL OPERATING CIRCUIT

# MAX2900-MAX2904

## 200mW Single-Chip Transmitter ICs for 868MHz/915MHz ISM Bands

### Typical Operating Circuits (continued)

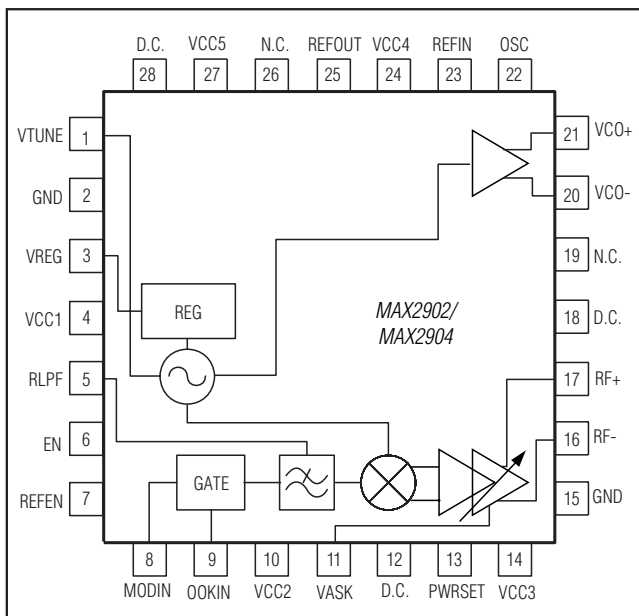


MAX2902/MAX2904 TYPICAL OPERATING CIRCUIT

# MAX2900-MAX2904

## 200mW Single-Chip Transmitter ICs for 868MHz/915MHz ISM Bands

### Functional Diagrams/ Pin Configurations (continued)



### Chip Information

TRANSISTOR COUNT: 898

### Package Information

For the latest package outline information and land patterns (footprints), go to [www.maximintegrated.com/packages](http://www.maximintegrated.com/packages). Note that a "+", "#", or "-" in the package code indicates RoHS status only. Package drawings may show a different suffix character, but the drawing pertains to the package regardless of RoHS status.

PACKAGE TYPE	PACKAGE CODE	OUTLINE NO.	LAND PATTERN NO.
28 QFN-EP	G2855-2	<a href="#">21-0091</a>	<a href="#">90-0277</a>

# MAX2900–MAX2904

## 200mW Single-Chip Transmitter ICs for 868MHz/915MHz ISM Bands

### Revision History

REVISION NUMBER	REVISION DATE	DESCRIPTION	PAGES CHANGED
1	8/03	—	—
2	12/07	Separate VCO Tuning Gain Specification into two rows	4
3	10/12	Updated <i>Ordering Information</i>	1, 2



Maxim Integrated cannot assume responsibility for use of any circuitry other than circuitry entirely embodied in a Maxim Integrated product. No circuit patent licenses are implied. Maxim Integrated reserves the right to change the circuitry and specifications without notice at any time. The parametric values (min and max limits) shown in the Electrical Characteristics table are guaranteed. Other parametric values quoted in this data sheet are provided for guidance.

**Maxim Integrated 160 Rio Robles, San Jose, CA 95134 USA 1-408-601-1000**

17

## Looking for pricing, stock, or lifecycle information?

Click below to explore more details on WIN SOURCE:

- ⊖ [View MAX2901ETI+T on WIN SOURCE](#)
- ⊖ [Maxim Integrated Information](#)

## Optimize Your Supply Chain with WIN SOURCE Solutions

- ✓ Global Sourcing Solution
- ✓ Obsolete Management
- ✓ Cost Control Management
- ✓ Shortage Management
- ✓ Alternative Solution
- ✓ Excess Inventory Management