



**THE DATASHEET OF
MAX2206EBS+T10G45**



EVALUATION KIT
AVAILABLE

MAXIM

RF Power Detectors in UCSP

General Description

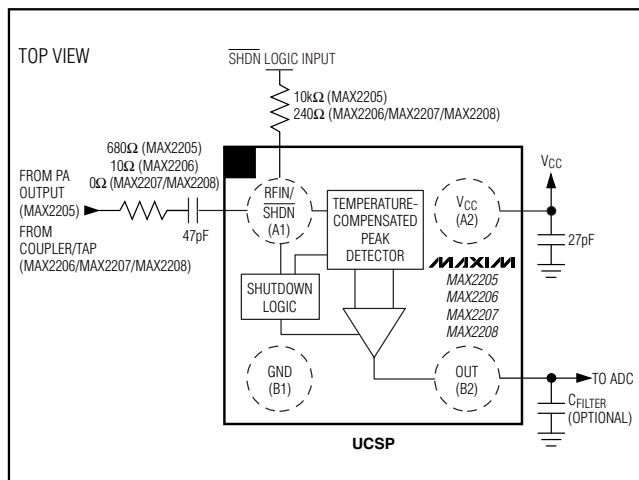
The MAX2205–MAX2208 wideband (800MHz to 2GHz) power detectors are ideal for GSM/EDGE (MAX2206), TDMA (MAX2207), and CDMA (MAX2205/MAX2208) applications. The MAX2206/MAX2207/MAX2208 take an RF signal from a directional coupler at the input, and output a highly repeatable voltage. The output voltage increases monotonically with increasing input power. The output is compensated for temperature and process shifts, reducing the worst-case variation to less than ± 1 dB at full power and ± 2.5 dB at the lowest power.

The MAX2206 features 40dB dynamic range, making it ideally suited to GSM/EDGE applications. The MAX2207 offers reduced current consumption for TDMA applications. The MAX2205/MAX2208 each have an integrated filter to allow for average power detection of CDMA signals over a 25dB dynamic range. The MAX2206/MAX2207/MAX2208 offer internal 50 Ω termination for interfacing with a directional coupler. The MAX2205 has a high-impedance input to provide a low-loss resistive tap in CDMA applications. All devices allow the user to control the averaging time constant externally. The MAX2205–MAX2208 come in a space-saving 2 \times 2, 0.5mm-pitch UCSP™ and require only three external components.

Applications

Dual-Band GSM/EDGE Handsets
Dual-Band CDMA/TDMA Handsets
WCDMA Handsets
PA Modules

Pin Configuration/Functional Diagram/Typical Operating Circuit



Features

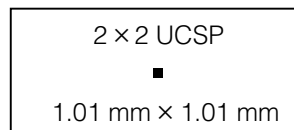
- ◆ Space-Saving 2 \times 2 UCSP Occupies Only 1mm²
- ◆ Internal Temperature Compensation Gives ± 0.3 dB Detection Accuracy
- ◆ No External Filter or Op Amp Required
- ◆ Power-Detection Range
 - 40dB (MAX2206)
 - 25dB (MAX2205/MAX2207/2208)

Ordering Information

| PART | TEMP RANGE | BUMP-PACKAGE |
|-------------|----------------|--------------------|
| MAX2205EBS | -40°C to +85°C | 2 \times 2 UCSP* |
| MAX2205EBS+ | -40°C to +85°C | 2 \times 2 UCSP* |
| MAX2206EBS | -40°C to +85°C | 2 \times 2 UCSP* |
| MAX2206EBS+ | -40°C to +85°C | 2 \times 2 UCSP* |
| MAX2207EBS | -40°C to +85°C | 2 \times 2 UCSP* |
| MAX2208EBS | -40°C to +85°C | 2 \times 2 UCSP* |
| MAX2208EBS+ | -40°C to +85°C | 2 \times 2 UCSP* |

*Requires solder temperature profile described in the Absolute Maximum Ratings section.

+ Indicates lead-free package.



UCSP is a trademark of Maxim Integrated Products, Inc.

MAXIM

Maxim Integrated Products 1

For pricing, delivery, and ordering information, please contact Maxim/Dallas Direct! at 1-888-629-4642, or visit Maxim's website at www.maxim-ic.com.

MAX2205-MAX2208

RF Power Detectors in UCSP

ABSOLUTE MAXIMUM RATINGS

| | |
|--|-----------------------------------|
| V _{CC} to GND | -0.3V to +6.5V |
| RFIN/SHDN to GND | -0.3V to (V _{CC} + 0.3V) |
| RF Input Power (800MHz) (MAX2206/MAX2207/MAX2208) | +20dBm |
| RF Input Power (2GHz) (MAX2206/MAX2207/MAX2208) | +17dBm |
| RF Input Voltage (800MHz) (MAX2205) | 1.5V _p |
| RF Input Voltage (2GHz) (MAX2205) | 0.8V _p |

| | |
|---|-----------------|
| Continuous Power Dissipation (T _A = +70°C) 2 × 2 UCSP (derate 3.8mW/°C above +70°C) | 303mW |
| Operating Temperature Range | -40°C to +85°C |
| Junction Temperature | +150°C |
| Storage Temperature Range | -65°C to +160°C |
| Bump Temperature (soldering) (Note 1) | |
| Infrared (15s) (lead) | +220°C |
| Vapor Phase (60s) (lead) | +215°C |
| Infrared (15s) (lead-free) | +260°C |

Stresses beyond those listed under "Absolute Maximum Ratings" may cause permanent damage to the device. These are stress ratings only, and functional operation of the device at these or any other conditions beyond those indicated in the operational sections of the specifications is not implied. Exposure to absolute maximum rating conditions for extended periods may affect device reliability.

DC ELECTRICAL CHARACTERISTICS (MAX2205-MAX2208)

(V_{CC} = +2.7V to +5.0V, SHDN = +2.0V, no RF signal applied, T_A = -40°C to +85°C. Typical values are at V_{CC} = +2.85V and T_A = +25°C, unless otherwise noted.) (Note 2)

| PARAMETER | SYMBOL | CONDITIONS | MIN | TYP | MAX | UNITS |
|----------------------------------|-------------------|---|-----|-----|------|-------|
| Supply Voltage | V _{CC} | | 2.7 | | 5.0 | V |
| Idle Supply Current | I _{IDLE} | MAX2206 | | 3.5 | 5.5 | mA |
| | | MAX2205/MAX2207/MAX2208 | | 2 | 3.5 | |
| Shutdown Supply Current | I _{SHDN} | SHDN = 0V | | 0.5 | 10 | μA |
| OUT Voltage During Shutdown | V _{OUT} | SHDN = 0V | | | 0.01 | V |
| Logic-High Threshold | V _H | | 2.0 | | | V |
| Logic-Low Threshold | V _L | | | | 0.6 | V |
| SHDN Input Current | I _{IH} | SHDN = +2.0V | -1 | | +10 | μA |
| | I _{IL} | SHDN = +0.6V | -1 | | +1 | |
| Output Current Source Capability | | MAX2206/MAX2207, V _{OUT} = +2.5V | 400 | | | μA |
| Output Current Sink Capability | | MAX2206/MAX2207, V _{OUT} = 0V | 300 | | | μA |

AC ELECTRICAL CHARACTERISTICS (MAX2205)

(MAX2205 EV kit, V_{CC} = +2.7V to +5.0V, SHDN = +2.0V, f_{RF} = 800MHz to 2GHz, 50Ω system, T_A = -40°C to +85°C. Typical values are at V_{CC} = +2.85V and T_A = +25°C, unless otherwise noted.) (Note 2)

| PARAMETER | SYMBOL | CONDITIONS | MIN | TYP | MAX | UNITS |
|------------------------------|-----------------|--|------------------------------|------|------|-------|
| RF Input Frequency | f _{RF} | | 800 | | 2000 | MHz |
| Turn-On Time | t _{ON} | | | 2 | | μs |
| Response Time | t _R | (Note 3) | | 15 | | μs |
| Variation Due to Temperature | | V _{CC} = +2.85V, T _A = -40°C to +85°C | High input power (Note 4) | ±0.3 | ±1 | dB |
| | | | Low input power (Note 5) | ±1.3 | ±2.5 | |

RF Power Detectors in UCSP

MAX2205-MAX2208

AC ELECTRICAL CHARACTERISTICS (MAX2206/MAX2207/MAX2208)

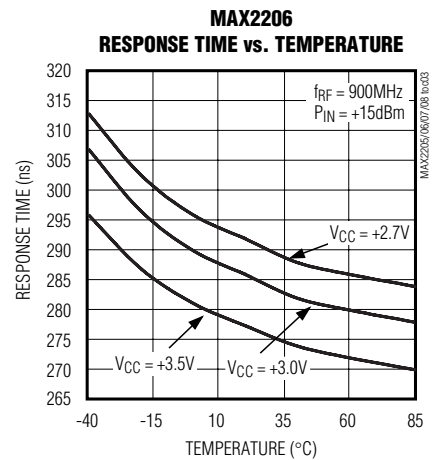
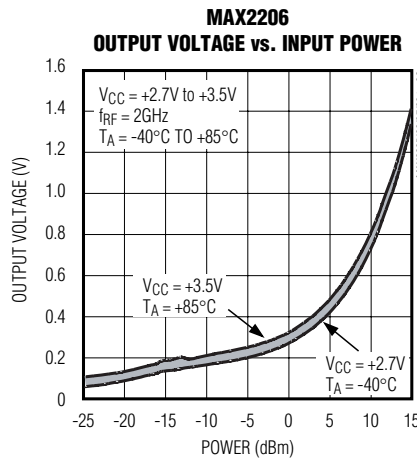
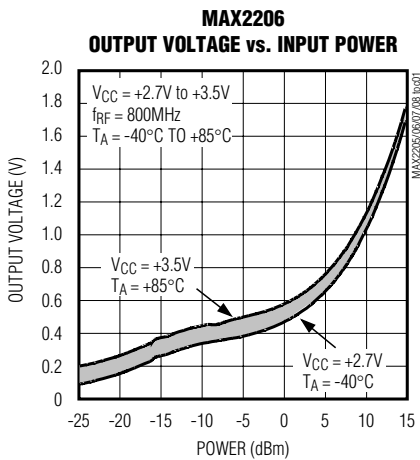
(MAX2206/MAX2207/MAX2208 EV kit, $V_{CC} = +2.7V$ to $+5.0V$, $\overline{SHDN} = 2.0V$, $f_{RF} = 800MHz$ to $2GHz$, 50Ω system, $T_A = -40^\circ C$ to $+85^\circ C$. Typical values are at $V_{CC} = +2.85V$ and $T_A = +25^\circ C$, unless otherwise noted.) (Note 2)

| PARAMETER | SYMBOL | CONDITIONS | MIN | TYP | MAX | UNITS |
|------------------------------|----------|---|---------------------------|-----------|-----------|---------|
| RF Input Frequency | f_{RF} | | 800 | | 2000 | MHz |
| RF Input VSWR | VSWR | | | 2:1 | | |
| Turn-On Time | t_{ON} | | | 2 | | μs |
| Response Time (Note 3) | t_R | MAX2206/MAX2207 | | 300 | | ns |
| | | MAX2208 | | 15 | | μs |
| Variation Due to Temperature | | $V_{CC} = +2.85V$, $T_A = -40^\circ C$ to $+85^\circ C$ | High input power (Note 6) | ± 0.3 | ± 1 | dB |
| | | | Low input power (Note 7) | ± 1.3 | ± 2.5 | |

- Note 1:** This device is constructed using a unique set of packaging techniques that imposes a limit on the thermal profile the device can be exposed to during board-level solder attach and rework. This limit permits only the use of the solder profiles recommended in the industry-standard specification, JEDEC 020 rev. C or later, paragraph 7.6, Table 3 for IR/VPR and convection reflow. Preheating is required. Hand or wave soldering is not allowed.
- Note 2:** Specifications over $T_A = -40^\circ C$ to $+85^\circ C$ are guaranteed by design. Production tests are performed at $T_A = +25^\circ C$.
- Note 3:** Response time is taken from the time the RF signal is applied to 90% of the final value of V_{OUT} .
- Note 4:** At 800MHz, output voltage is held at a value that nominally results from the final value of $+31dBm$ input power. Deviation from $+31dBm$ is specified. At 2GHz, output voltage is held at a value that nominally results from $+28dBm$ input power. Deviation from $+28dBm$ is specified.
- Note 5:** At 2GHz, output voltage is held 22dB lower than specified in Note 4. At 800MHz, output voltage is held 25dB lower than specified in Note 4.
- Note 6:** At 800MHz, output voltage is held at a value that nominally results from $+15dBm$ input power. Deviation from $+15dBm$ is specified. At 2GHz, output voltage is held at a value that nominally results from $+13dBm$ input power. Deviation from $+13dBm$ is specified.
- Note 7:** For MAX2206, the output voltage is held at 40dB lower input power than specified in Note 6; for MAX2207/MAX2208, output voltage is held at a value that nominally results from 25dB lower input power than specified in Note 6. Deviation from the nominal input power is specified.

Typical Operating Characteristics

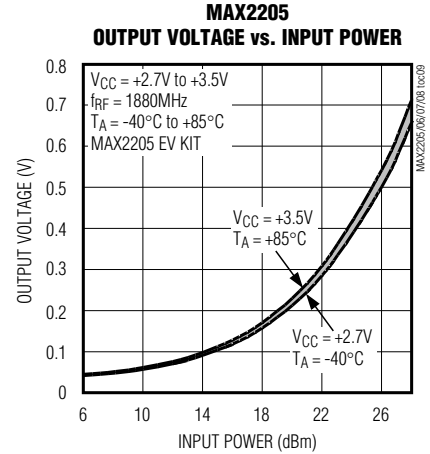
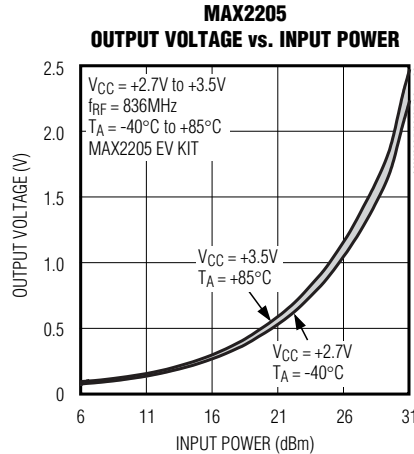
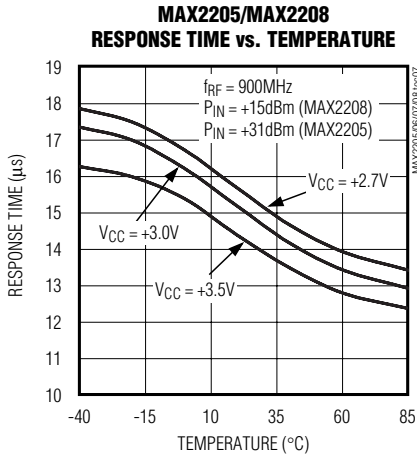
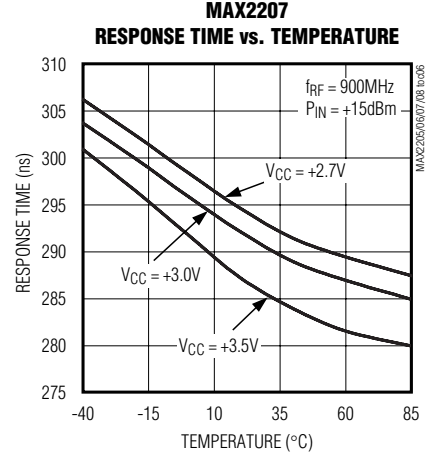
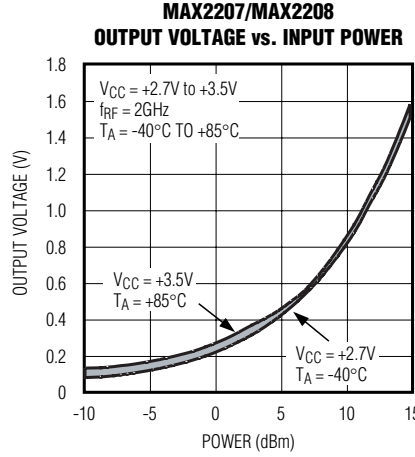
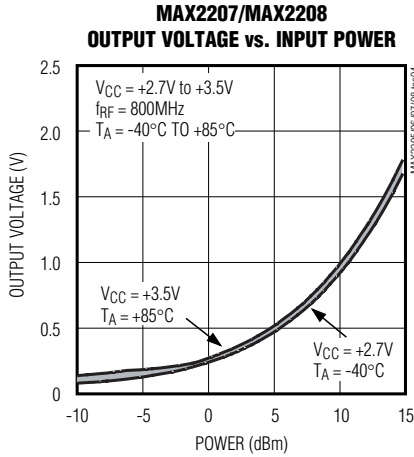
(MAX2206/MAX2207/MAX2208 EV kit, $T_A = +25^\circ C$, unless otherwise noted.)



RF Power Detectors in UCSP

Typical Operating Characteristics (continued)

(MAX2206/MAX2207/MAX2208 EV kit, $T_A = +25^\circ\text{C}$, unless otherwise noted.)



Pin Description

| PIN | NAME | FUNCTION |
|-----|-----------|--|
| A1 | RFIN/SHDN | RF Input and Shutdown Logic Input. AC-couple the RF input to this pin and apply the shutdown logic input through a resistor. Drive low to turn the part off, drive high, or connect to V_{CC} to turn the part on. |
| A2 | V_{CC} | Power-Supply Pin. Bypass to GND with a capacitor as close to the bump as possible. |
| B1 | GND | Ground Connection. Multiple ground vias placed as close to the IC as possible should be used to connect the ground pin to the ground plane. Connect to PC board ground plane with as low inductance as possible. |
| B2 | OUT | Detector Output |

RF Power Detectors in UCSP

MAX2205-MAX2208

Applications Information

The MAX2205–MAX2208 have internal termination resistors for use with directional couplers. The application circuit is shown in Figure 1. The output of the detector goes to an op amp in an analog GSM power-control scheme, or to an ADC in other systems such as TDMA or discrete-time GSM power control.

The MAX2205 has high-input impedance for use with high-value resistive tapping from a CDMA power amplifier. This coupling method is the lowest cost and lowest loss when used with an isolator. The application circuit is shown in Figure 2. Connect C_{FILTER} from the MAX2205 output to GND to reduce residual amplitude ripple. For IS98A reverse channel signal with peak-to-avg ratio of 3.9dB, a 1.5nF capacitor gives 43mV_{P-P} ripple at 28dBm PA output and 390 μ s response time. For CDMA2000 (pilot + DCCH) with peak-to-avg ratio of 5.4dB, the ripple is about 65mV_{P-P} at 26dBm PA output.

The MAX2205 input impedance is listed in Table 1.

Layout

As with any RF circuit, the layout of the MAX2205–MAX2208 circuits affects performance. Use a short 50 Ω line at the input with multiple ground vias along the length of the line. The input capacitor and resistor should be placed as close to the IC as possible. The V_{CC} input should be bypassed as close as possible to the IC with multiple vias connecting the capacitor to ground. Refer to the MAX2205–MAX2208 EV kit data sheet for a sample layout and details.

UCSP Reliability

The UCSP is a unique package that greatly reduces board space compared to other packages. UCSP reliability is integrally linked to the user's assembly methods, circuit board material, and usage environment. The user should closely review these areas when considering using a UCSP. This form factor might not perform equally to a packaged product through traditional mechanical reliability tests. Performance through operating life test and moisture resistance remains uncompromised, as it is determined primarily by the wafer-fabrication process.

Mechanical stress performance is a greater consideration for a UCSP. UCSP solder-joint contact integrity must be considered because the package is attached through direct solder contact to the user's PC board. Testing done to characterize the UCSP reliability performance shows that it is capable of performing reliably through environmental stresses. Results of environmental stress tests and additional usage data and recommendations are detailed in the UCSP application note, which can be found on Maxim's website, www.maxim-ic.com.

Chip Information

TRANSISTOR COUNT: 344

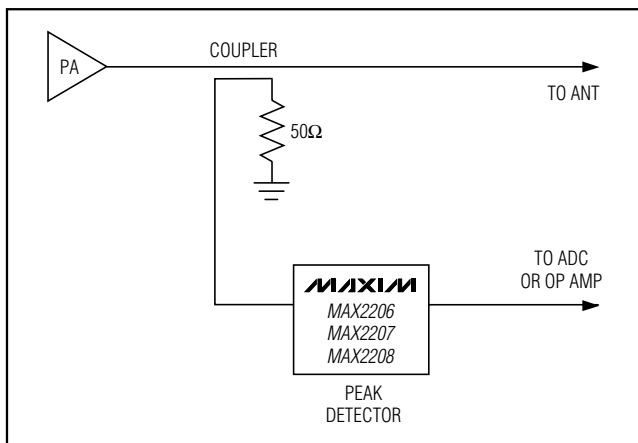


Figure 1. MAX2206/MAX2207/MAX2208 Typical Application Circuit

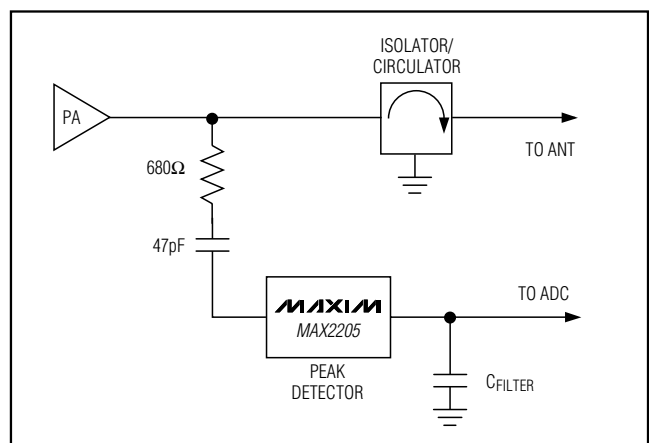


Figure 2. MAX2205 Typical Application Circuit

RF Power Detectors in UCSP

Table 1. MAX2205 Input Impedance (R || jX, PC Board De-Embedded)

| FREQUENCY (GHz) | P _{IN} = -30dBm | | P _{IN} = +5dBm | |
|-----------------|--------------------------|-------|-------------------------|-------|
| | REAL | IMAG | REAL | IMAG |
| 0.8 | 189.9 | -51.7 | 199.4 | -54.0 |
| 0.9 | 177.3 | -47.4 | 185.5 | -49.4 |
| 1.0 | 165.8 | -43.6 | 175.2 | -45.7 |
| 1.1 | 155.2 | -40.3 | 167.0 | -42.5 |
| 1.2 | 146.4 | -37.6 | 158.8 | -39.8 |
| 1.3 | 138.8 | -35.0 | 150.9 | -37.3 |
| 1.4 | 131.5 | -32.9 | 144.0 | -35.1 |
| 1.5 | 123.3 | -30.7 | 139.4 | -33.3 |
| 1.6 | 115.0 | -29.1 | 131.6 | -31.8 |
| 1.7 | 107.2 | -27.5 | 132.0 | -30.9 |
| 1.8 | 110.7 | -26.7 | 126.6 | -29.3 |
| 1.9 | 105.3 | -25.2 | 120.3 | -27.9 |
| 2.0 | 94.7 | -23.6 | 111.4 | -26.7 |

Table 2. MAX2205–MAX2208 Device Marking Codes

| DEVICE | CODE |
|------------|------|
| MAX2205EBS | AFR |
| MAX2206EBS | AFO |
| MAX2207EBS | AFP |
| MAX2208EBS | AFQ |

RF Power Detectors in UCSP

Package Information

(The package drawing(s) in this data sheet may not reflect the most current specifications. For the latest package outline information, go to www.maxim-ic.com/packages.)

MAX2205-MAX2208

TOP VIEW

| COMMON DIMENSIONS | |
|-------------------|----------------|
| A | 0.62±0.05-0.08 |
| A1 | 0.29±0.02 |
| A2 | 0.33 REF. |
| b | ∅0.35±0.03 |
| D1 | 0.50 BASIC |
| E1 | 0.50 BASIC |
| e | 0.50 BASIC |
| SD | 0.25 BASIC |
| SE | 0.25 BASIC |

| PKG. CODE | VARIABLE DIMENSIONS | | DEPOPULATED SOLDER BALLS |
|-----------|---------------------|-----------|--------------------------|
| | D | E | |
| B4-1 | 1.00±0.05 | 1.00±0.05 | NONE |
| B4-2 | 1.05±0.05 | 1.05±0.05 | NONE |
| B4-3 | 1.10±0.05 | 1.10±0.05 | NONE |
| B4-4 | 0.97±0.05 | 0.97±0.05 | NONE |

NOTES:

- ALL DIMENSIONS ARE IN MILLIMETERS.
- PRODUCT MARKING: NUMBER OF CHARACTERS AND LINES VARY PER PRODUCT.

BOTTOM VIEW

SIDE VIEW

PROPRIETARY INFORMATION

TITLE: PACKAGE OUTLINE, 2x2 UCSP

| | | | |
|----------|---------------------------------|-----------|-----|
| APPROVAL | DOCUMENT CONTROL NO. 21-0117 | REV. G | 1/1 |
|----------|---------------------------------|-----------|-----|

Revision History

Pages changed at Rev 6: 1, 2, 3, 7

Maxim cannot assume responsibility for use of any circuitry other than circuitry entirely embodied in a Maxim product. No circuit patent licenses are implied. Maxim reserves the right to change the circuitry and specifications without notice at any time.

Maxim Integrated Products, 120 San Gabriel Drive, Sunnyvale, CA 94086 408-737-7600 _____ **7**

Looking for pricing, stock, or lifecycle information?

Click below to explore more details on WIN SOURCE:

- ⊖ [View MAX2206EBS+T10G45 on WIN SOURCE](#)
- ⊖ [Maxim Integrated Information](#)

Optimize Your Supply Chain with WIN SOURCE Solutions

- ✓ Global Sourcing Solution
- ✓ Obsolete Management
- ✓ Cost Control Management
- ✓ Shortage Management
- ✓ Alternative Solution
- ✓ Excess Inventory Management