



**THE DATASHEET OF  
MAX1470EUI+T**



# MAX1470

# 315MHz Low-Power, +3V Superheterodyne Receiver

## General Description

The MAX1470 is a fully integrated low-power CMOS superheterodyne receiver for use with amplitude-shift-keyed (ASK) data in the 315MHz band. With few required external components, and a low-current power-down mode, it is ideal for cost- and power-sensitive applications in the consumer markets. The chip consists of a 315MHz low-noise amplifier (LNA), an image rejection mixer, a fully integrated 315MHz phase-lock-loop (PLL), a 10.7MHz IF limiting amplifier stage with received-signal-strength indicator (RSSI) and an ASK demodulator, and analog baseband data-recovery circuitry.

The MAX1470 is available in a 28-pin TSSOP package.

## Applications

- Remote Keyless Entry
- Garage Door Openers
- Remote Controls
- Wireless Sensors
- Wireless Computer Peripherals
- Security Systems
- Toys
- Video Game Controllers
- Medical Systems

## Features

- Operates from a Single +3.0V to +3.6V Supply
- Built-In 53dB RF Image Rejection
- -115dBm Receive Sensitivity\*
- 250µs Startup Time
- Low 5.5mA Operating Supply Current
- 1.25µA Low-Current Power-Down Mode for Efficient Power Cycling
- 250MHz to 500MHz Operating Band (Image Rejection Optimized at 315MHz)
- Integrated PLL with On-Board Voltage-Controlled Oscillator (VCO) and Loop Filter
- Selectable IF Bandwidth Through External Filter
- Complete Receive System from RF to Digital Data Out

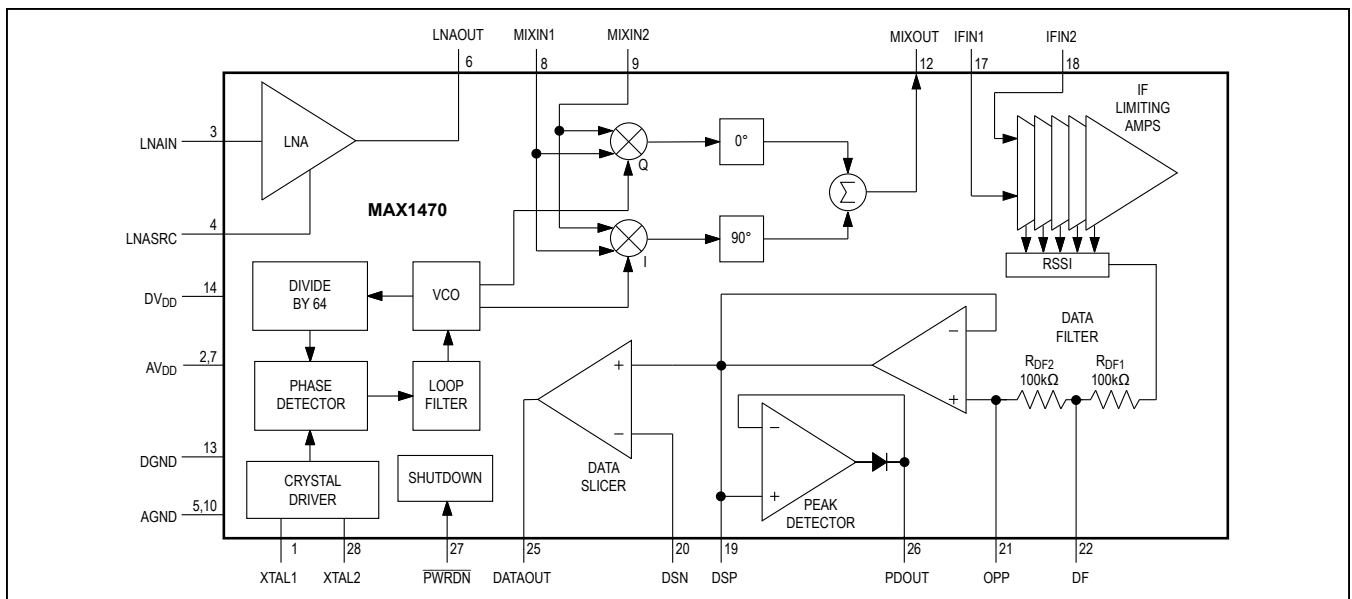
\*See Note 2, AC Electrical Characteristics.

## Ordering Information

PART	TEMP RANGE	PIN-PACKAGE
MAX1470EUI	-40°C to +85°C	28 TSSOP

*Typical Application Circuit and Pin Configuration appear at end of data sheet.*

## Functional Diagram



**Absolute Maximum Ratings**

AV <sub>DD</sub> to AGND .....	-0.3V to +4.0V	Operating Temperature Range	
DV <sub>DD</sub> to DGND.....	-0.3V to +4.0V	MAX1470EUI.....	-40°C to +85°C
All Other Pins Referenced to AGND.....	-0.3V to (V <sub>DD</sub> + 0.3V)	Storage Temperature Range .....	-60°C to +150°C
Continuous Power Dissipation (T <sub>A</sub> = +70°C)		Lead Temperature (soldering, 10s) .....	+300°C
28-Pin TSSOP (derate 13mW/°C above +70°C).....	1039mW		

Stresses beyond those listed under "Absolute Maximum Ratings" may cause permanent damage to the device. These are stress ratings only, and functional operation of the device at these or any other conditions beyond those indicated in the operational sections of the specifications is not implied. Exposure to absolute maximum rating conditions for extended periods may affect device reliability.

**DC Electrical Characteristics**

(Typical Application Circuit, V<sub>DD</sub> = +3.0V to +3.6V, no RF signal applied, T<sub>A</sub> = -40°C to +85°C. Typical values are at V<sub>DD</sub> = +3.3V, T<sub>A</sub> = +25°C, unless otherwise noted.) (Note 1)

PARAMETER	SYMBOL	CONDITIONS	MIN	TYP	MAX	UNITS
Supply Voltage	V <sub>DD</sub>		3.0		3.6	V
Supply Current	I <sub>DD</sub>	PWRDN = V <sub>DD</sub>		5.5		mA
Shutdown Supply Current	I <sub>SHUTDOWN</sub>	PWRDN = GND		1.25		µA
PWRDN Voltage Input Low	V <sub>IL</sub>				0.4	V
PWRDN Voltage Input High	V <sub>IH</sub>		V <sub>DD</sub> - 0.4			V
DATAOUT Voltage Output Low	V <sub>OL</sub>	I <sub>DATAOUT</sub> = 100µA			0.4	V
DATAOUT Voltage Output High	V <sub>OH</sub>	I <sub>DATAOUT</sub> = -100µA	V <sub>DD</sub> - 0.4			V

**AC Electrical Characteristics**

(Typical Application Circuit, all RF inputs and outputs are referenced to 50Ω, V<sub>DD</sub> = +3.3V, T<sub>A</sub> = +25°C, f<sub>RFIN</sub> = 315MHz, unless otherwise noted.) (Note 1)

PARAMETER	SYMBOL	CONDITIONS	MIN	TYP	MAX	UNITS
<b>GENERAL CHARACTERISTICS</b>						
Maximum Startup Time	T <sub>ON</sub>	Time from $\overline{\text{PWRDN}}$ deasserting to valid data out		250		µs
Maximum Receiver Input Level	RFIN <sub>MAX</sub>	Modulation depth ≥ 60dB		0		dBm
Minimum Receiver Input Level, 315MHz	RFIN <sub>MIN</sub>	Average carrier power level (Note 2)		-115		dBm
		Peak power level (Note 2)		-109		
Minimum Receiver Input Level, 433.92MHz		Average carrier power level (Note 2)		-110		dBm
		Peak power level (Note 2)		-104		
Receivers	f <sub>RFIN</sub>			250 to 500		MHz
<b>LOW-NOISE AMPLIFIER (LNA)</b>						
Input Impedance	S11 <sub>LNA</sub>	Normalized to 50Ω (Note 3)		1 - j4		
1dB Compression Point	P1dB <sub>LNA</sub>			-22		dBm
Input-Referred 3rd-Order Intercept	IIP3 <sub>LNA</sub>			-18		dBm
LO Signal Feedthrough to Antenna				-95		dBm
Output Impedance	S22 <sub>LNA</sub>	Normalized to 50Ω		0.12 - j4.4		

**AC Electrical Characteristics (continued)**

(Typical Application Circuit, all RF inputs and outputs are referenced to 50Ω,  $V_{DD} = +3.3V$ ,  $T_A = +25^\circ C$ ,  $f_{RFIN} = 315MHz$ , unless otherwise noted.) (Note 1)

PARAMETER	SYMBOL	CONDITIONS	MIN	TYP	MAX	UNITS
Noise Figure	$NF_{LNA}$			2.0		dB
Power Gain				16		dB
<b>MIXER</b>						
Input Impedance	$S11_{MIX}$	Normalized to 50Ω		0.25 - j2.4		
Input-Referred 3rd-Order Intercept	$IIP3_{MIX}$			-18		dBm
Output Impedance	$Z_{OUT\_MIX}$			330		Ω
Image Rejection		$f_{RFIN} = 315MHz$ , $f_{RF\_IMAGE} = 293.6MHz$ (Note 4)	40	53		dB
		$f_{RFIN} = 433.92MHz$ , $f_{RF\_IMAGE} = 412.52MHz$		39		
Noise Figure	$NF_{MIX}$			16		dB
Conversion Gain		330Ω IF filter load		13		dB
<b>INTERMEDIATE-FREQUENCY DEMODULATOR BLOCK</b>						
Input Impedance	$Z_{IN\_IF}$			330		Ω
Operating Frequency	$f_{IF}$			10.7		MHz
RSSI Linearity				±1		dB
RSSI Dynamic Range				65		dB
RSSI Level		$P_{RFIN} < -120dBm$		1.2		V
		$P_{RFIN} > -50dBm$		2.0		
<b>DATA FILTER</b>						
Maximum Bandwidth	$BW_{DF}$			100		kHz
<b>DATA SLICER</b>						
Comparator Bandwidth	$BW_{CMP}$			100		kHz
Maximum Load Capacitance	$C_{LOAD}$			10		pF
<b>CRYSTAL OSCILLATOR</b>						
Reference Frequency	$f_{REF}$			4.7547		MHz

**Note 1:** Parts are production tested at  $T_A = +25^\circ C$ ; Min and Max values are guaranteed by design and characterization.

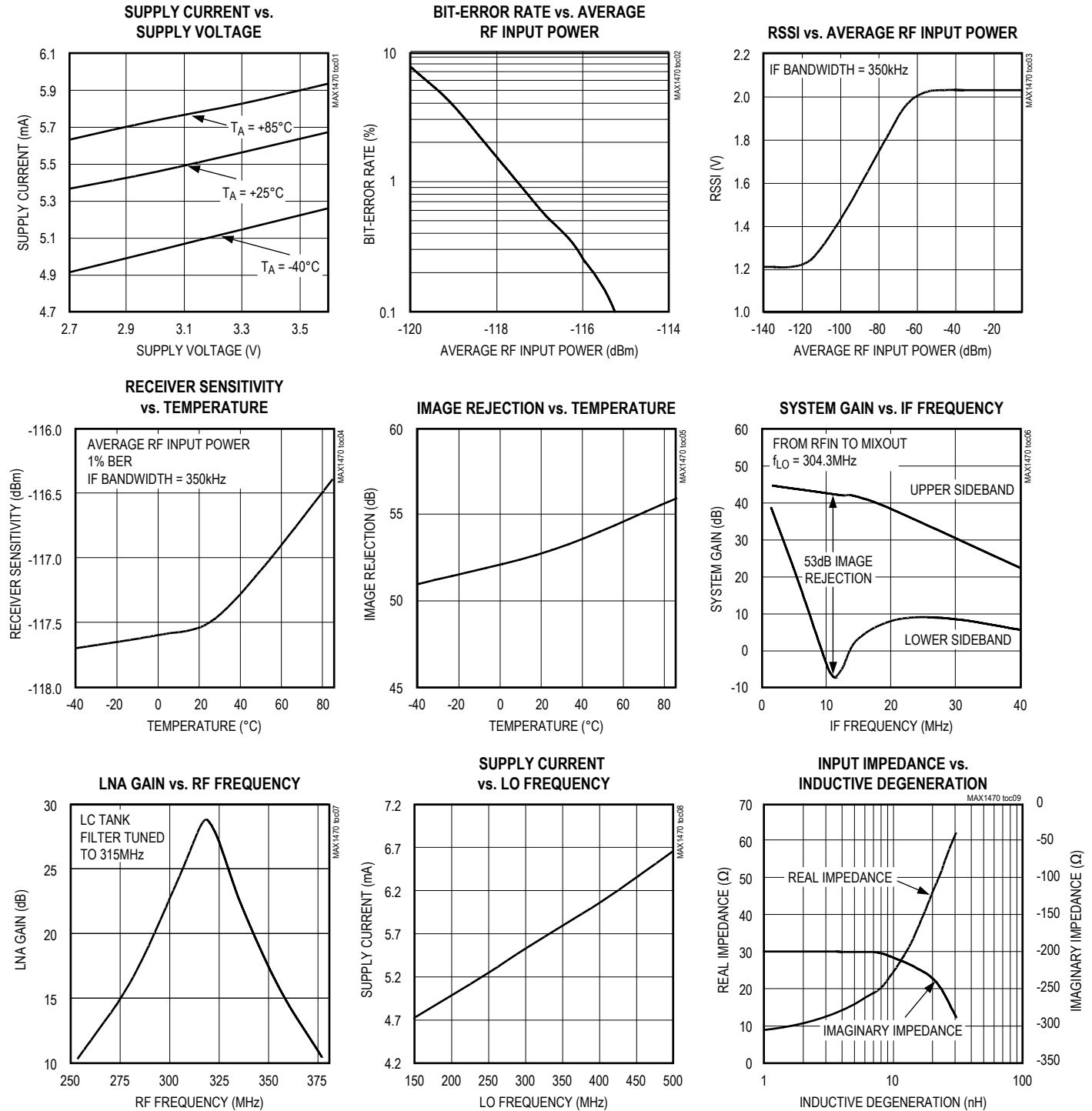
**Note 2:** BER = 2E-3, Manchester encoded, data rate = 4kbps, IF bandwidth = 350kHz.

**Note 3:** Input impedance is measured at the LNAIN pin. Note that the impedance includes the 15nH inductive degeneration connected from the LNASRC.

**Note 4:** Guaranteed by production test.

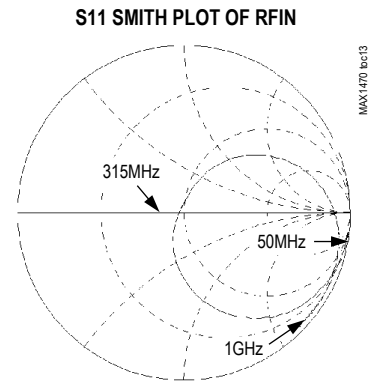
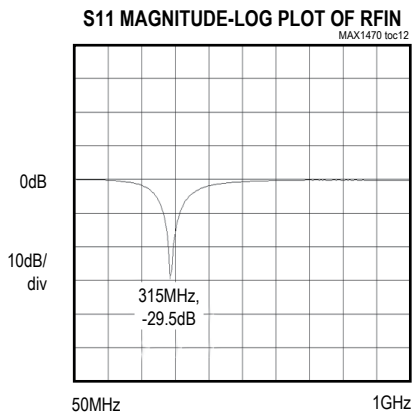
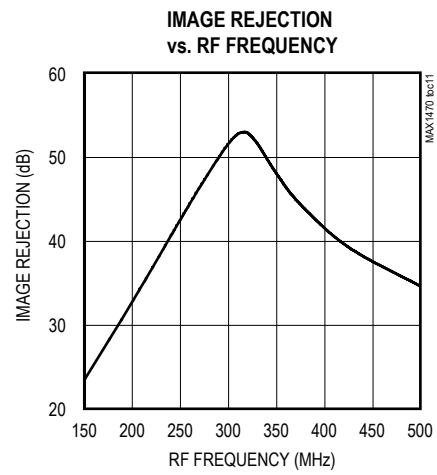
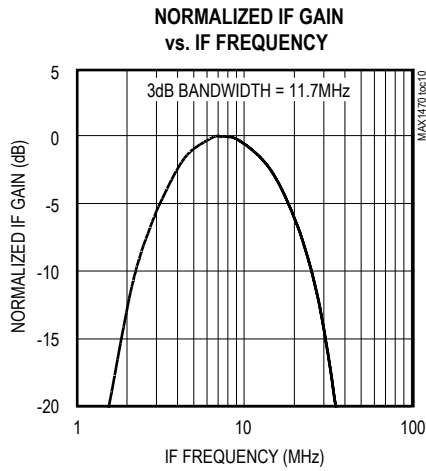
Typical Operating Characteristics

(VDD = +3.3V, TA = +25°C, unless otherwise noted. Typical Application Circuit.)



Typical Operating Characteristics (continued)

(VDD = +3.3V, TA = +25°C, unless otherwise noted. Typical Application Circuit.)



## Pin Description

PIN	NAME	FUNCTION
1	XTAL1	1st Crystal Input
2, 7	AV <sub>DD</sub>	Positive Analog Supply Voltage for RF Sections. Decouple to AGND with 0.01μF capacitors.
3	LNAIN	Low-Noise Amplifier Input
4	LNASRC	Low-Noise Amplifier Source. Connect inductor to ground to set LNA input impedance (see <i>Low-Noise Amplifier</i> section).
5, 10	AGND	Analog Ground
6	LNAOUT	Low-Noise Amplifier Output
8	MIXIN1	1st Differential Mixer Input. Must be AC-coupled to driving input.
9	MIXIN2	2nd Differential Mixer Input. Must be AC-coupled to driving input.
11, 15, 16, 23, 24	I.C.	Internally Connected. Do not make connection to these pins.
12	MIXOUT	330Ω Mixer Output
13	DGND	Digital Ground
14	DV <sub>DD</sub>	Positive Digital Supply Voltage. Decouple to DGND with a 0.01μF capacitor.
17	IFIN1	1st Differential Intermediate Frequency Limiter Amplifier Input
18	IFIN2	2nd Differential Intermediate Frequency Limiter Amplifier Input
19	DSP	Positive Data Slicer Input
20	DSN	Negative Data Slicer Input
21	OPP	Noninverting Op Amp. Input for the Sallen-Key data filter.
22	DF	Data Filter Feedback Node. Input for the feedback of the Sallen-Key data filter.
25	DATAOUT	Digital Baseband Data Output
26	PDOUT	Peak Detector Output
27	$\overline{\text{PWRDN}}$	Power-Down Select Input. Drive this pin with a logic low to shut down the IC.
28	XTAL2	2nd Crystal Input

## Detailed Description

The MAX1470 CMOS superheterodyne receiver and a few external components provide the complete receive chain from the antenna to the digital output data. Depending on signal power and component selection, data rates as high as 100kbps can be achieved.

The MAX1470 is designed to receive binary ASK data on a 315MHz carrier. ASK modulation uses a difference in amplitude of the carrier to represent logic 0 and logic 1 data.

### Low-Noise Amplifier

The LNA is a cascode amplifier with off-chip inductive degeneration that achieves approximately 16dB of power gain with a 2.0dB noise figure and an IIP3 of -18dBm. The gain and noise figure is dependent on both the antenna

matching network at the LNA input, and the LC tank network between the LNA output and the mixer inputs.

The off-chip inductive degeneration is achieved by connecting an inductor from LNASRC to AGND. This inductor sets the real part of the input impedance at LNAIN, allowing for a more flexible match for low-input impedance such as a PC board trace antenna. A nominal value for this inductor with a 50Ω input impedance is 15nH, but is affected by PC board trace. See *Typical Operating Characteristics* for the relationship between the inductance and input impedance.

The LC tank filter connected to LNAOUT comprises L1 and C9 (see *Typical Applications Circuit*). L1 and C9 values are selected to resonate at the RF input frequency of 315MHz. The resonant frequency is given by:

$$f = \frac{1}{2\pi\sqrt{L_{\text{TOTAL}} \times C_{\text{TOTAL}}}}$$

where:

$$L_{\text{TOTAL}} = L_1 + L_{\text{PARASITICS}}$$

$$C_{\text{TOTAL}} = C_9 + C_{\text{PARASITICS}}$$

$L_{\text{PARASITICS}}$  and  $C_{\text{PARASITICS}}$  include inductance and capacitance of the PC board traces, package pins, mixer input impedance, LNA output impedance, etc. These parasitics at high frequencies cannot be ignored and can have a dramatic effect on the tank filter center frequency. Lab experimentation should be done to optimize the center frequency of the tank.

### Mixer

A unique feature of the MAX1470 is the integrated image rejection of the mixer. This device was designed to eliminate the need for a costly front-end SAW filter for many applications. The advantage of not using a SAW filter is increased sensitivity, simplified antenna matching, less board space, and lower cost.

The mixer cell is a pair of double-balanced mixers that perform an IQ downconversion of the 315MHz RF input to the 10.7MHz IF with low-side injection (i.e.,  $f_{\text{LO}} = f_{\text{RF}} - f_{\text{IF}}$ ). The image rejection circuit then combines these signals to achieve ~50dB of image rejection over the full temperature range. Low-side injection is required due to the on-chip image-rejection architecture. The IF output is driven by a source-follower, biased to create a driving impedance of 330Ω to interface with an off-chip 330Ω ceramic IF filter. The voltage conversion gain driving a 330Ω load is approximately 13dB.

### Phase-Lock Loop

The PLL block contains a phase detector, charge pump/integrated loop filter, VCO, asynchronous 64x clock divider, and crystal oscillator. This PLL does not require any external components. The quadrature VCO is centered at the nominal LO frequency of 304.3MHz. For an input RF frequency of 315MHz, a reference frequency of 4.7547MHz is needed for a 10.7MHz IF frequency (low-side injection is required). The relationship between the RF, IF, and reference frequencies is given by:

$$f_{\text{REF}} = (f_{\text{RF}} - f_{\text{IF}}) / 64$$

To allow the smallest possible IF bandwidth (for best sensitivity), the tolerance of the reference must be minimized.

### Intermediate Frequency

The IF section presents a differential 330Ω load to provide matching for the off-chip ceramic filter. The internal five AC-coupled limiting amplifiers produce an overall gain of approximately 65dB, with a bandpass-filter-type response centered near the 10.7MHz IF frequency with a 3dB bandwidth of approximately 11.5MHz. The RSSI circuit demodulates the IF to baseband by producing a DC output proportional to the log of the IF signal level with a slope of approximately 15mV/dB (see *Typical Operating Characteristics*).

## Applications Information

### Crystal Oscillator

The XTAL oscillator in the MAX1470 is designed to present a capacitance of approximately 3pF between XTAL1 and XTAL2. If a crystal designed to oscillate with a different load capacitance is used, the crystal is pulled away from its stated operating frequency, introducing an error in the reference frequency. Crystals designed to operate with higher differential load capacitance always pull the reference frequency higher. For example, a 4.7547MHz crystal designed to operate with a 10pF load capacitance oscillates at 4.7563MHz with the MAX1470, causing the receiver to be tuned to 315.1MHz rather than 315.0MHz, an error of about 100kHz, or 320ppm.

In actuality, the oscillator pulls every crystal. The crystal's natural frequency is really below its specified frequency, but when loaded with the specified load capacitance, the crystal is pulled and oscillates at its specified frequency. This pulling is already accounted for in the specification of the load capacitance. Additional pulling can be calculated if the electrical parameters of the crystal are known. The frequency pulling is given by:

$$f_p = \frac{C_m}{2} \left( \frac{1}{C_{\text{case}} + C_{\text{load}}} - \frac{1}{C_{\text{case}} + C_{\text{spec}}} \right) \times 10^6$$

where:

$f_p$  is the amount the crystal frequency is pulled in ppm.

$C_m$  is the motional capacitance of the crystal.

$C_{\text{case}}$  is the case capacitance.

$C_{\text{spec}}$  is the specified load capacitance.

$C_{\text{load}}$  is the actual load capacitance.

When the crystal is loaded as specified, i.e.,  $C_{load} = C_{spec}$ , the frequency pulling equals zero.

### Data Filter

The data filter is implemented as a 2nd-order lowpass Sallen-Key filter. The pole locations are set by the combination of two on-chip resistors and two external capacitors. Adjusting the value of the external capacitors changes the corner frequency to optimize for different data rates. The corner frequency should be set to approximately 1.5 times the fastest expected data rate from the transmitter. Keeping the corner frequency near the data rate rejects any noise at higher frequencies, resulting in an increase in receiver sensitivity.

The configuration shown in Figure 1 can create a Butterworth or Bessel response. The Butterworth filter offers a very flat amplitude response in the passband and a roll-off rate of 40dB/decade for the two-pole filter. The Bessel filter has a linear phase response, which works well for filtering digital data. To calculate the value of C5 and C6, use the following equations along with the coefficients in Table 1:

$$C5 = \frac{b}{a(100k\Omega)(\pi)(f_C)}$$

$$C6 = \frac{a}{4(100k\Omega)(\pi)(f_C)}$$

where  $f_C$  is the desired 3dB corner frequency.

For example, to choose a Butterworth filter response with a corner frequency of 5kHz:

$$C5 = \frac{1.000}{(1.414)(100k\Omega)(3.14)(5kHz)} \approx 450pF$$

$$C6 = \frac{1.414}{(4)(100k\Omega)(3.14)(5kHz)} \approx 225pF$$

**Table 1. Coefficients to Calculate C5 and C6**

FILTER TYPE	a	b
Butterworth (Q = 0.707)	1.414	1.000
Bessel (Q = 0.577)	1.3617	0.618

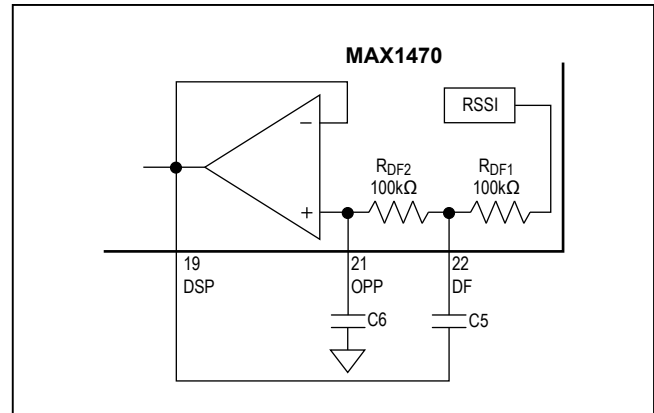


Figure 1. Sallen-Key Lowpass Data Filter

Choosing standard capacitor values changes C5 to 470pF and C6 to 220pF, as shown in the *Typical Application Circuit*.

### Data Slicer

The purpose of the data slicer is to take the analog output of the data filter and convert it to a digital signal. This is achieved by using a comparator and comparing the analog input to a threshold voltage. The threshold voltage is set by the voltage on DSN, which is connected to the negative input of the data slicer comparator. The positive input is connected to the output of the data filter internally, and also the DSP pin for use with some data slicer configurations.

The suggested data slicer configuration uses a resistor (R1) connected between DSN and DSP with a capacitor (C4) from DSN to DGND (Figure 2). This configuration averages the analog output of the filter and sets the threshold to approximately 50% of that amplitude. With this configuration, the threshold automatically adjusts as the analog signal varies, minimizing the possibility for errors in the digital data. The sizes of R1 and C4 affect how fast the threshold tracks the analog amplitude. Be sure to keep the corner frequency of the RC circuit lower than the lowest expected data rate.

Note that a long string of zeros or ones can cause the threshold to drift. This configuration works best if a coding scheme, such as Manchester code, which has an equal number of zeros and ones, is used.

### Peak Detector

The peak detector output (PDOUT), in conjunction with an external RC filter, creates a DC output voltage equal to the peak value of the data signal. The resistor provides a path for the capacitor to discharge, allowing the peak

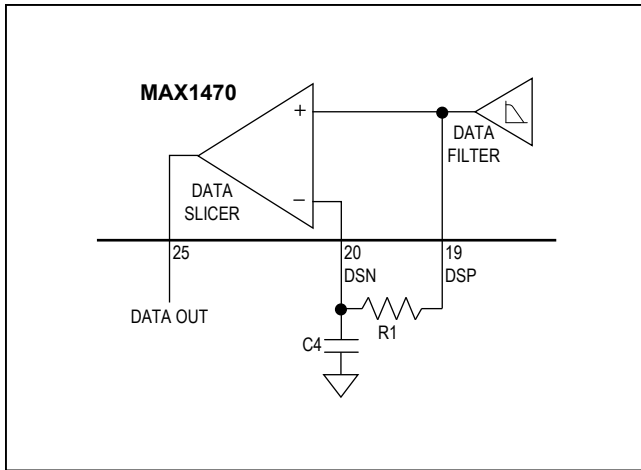


Figure 2. Generating Data Slicer Threshold

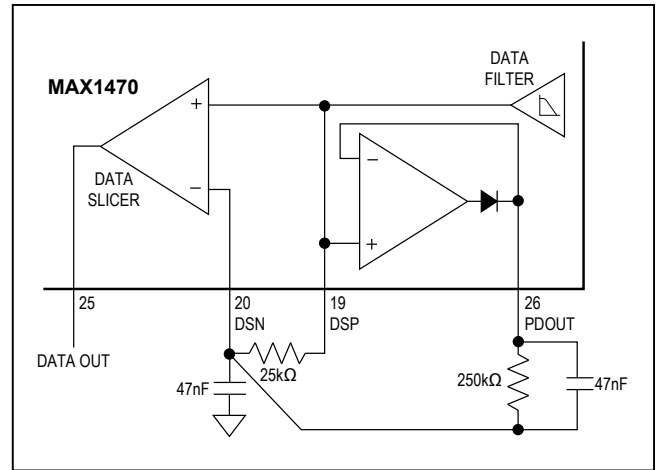


Figure 3. Using PDOUT for Faster Startup

detector to dynamically follow peak changes of the data filter output voltage. For faster receiver startup, the circuit shown in Figure 3 can be used.

**433.92MHz Band**

The MAX1470 can be configured to receive ASK modulated data with carrier frequency ranging from 250MHz to 500MHz. Only a small number of components need to be changed to retune the RF section to the desired RF frequency.

Table 2 shows a list of changed components and their values for a 433.92MHz RF; all other components remain unchanged.

The integrated image rejection of the MAX1470 is specifically designed to function with a 315MHz input frequency by attenuating any signal at 293.6MHz. The benefit of the on-chip image rejection is that an external SAW filter is not needed, reducing cost and the insertion loss associated with SAW filters. The image rejection cannot be retuned for different RF input frequencies and therefore is degraded. The image rejection at 433.92MHz is typically 39dB.

**Table 2. Changed Component Values for 433.92MHz**

COMPONENT	VALUE FOR 433MHz RF
C9	1.0pF
L1	15nH
L2	56nH
Y1	6.6128MHz

**Note:** These values are affected by PC board layout.

**Layout Considerations**

A properly designed PC board is an essential part of any RF/microwave circuit. On high-frequency inputs and outputs, use controlled-impedance lines and keep them as short as possible to minimize losses and radiation. At high frequencies, trace lengths that are approximately 1/20 the wavelength or longer become antennas. For example, a 2in trace at 315MHz can act as an antenna.

Keeping the traces short also reduces parasitic inductance. Generally, 1in of a PC board trace adds about 20nH of parasitic inductance. The parasitic inductance can have a dramatic effect on the effective inductance. For example, a 0.5in trace connecting a 100nH inductor adds an extra 10nH of inductance or 10%.

To reduce the parasitic inductance, use wider traces and a solid ground or power plane below the signal traces. Using a solid ground plane can reduce the parasitic inductance from approximately 20nH/in to 7nH/in. Also, use low-inductance connections to ground on all GND pins, and place decoupling capacitors close to all V<sub>DD</sub> connections.

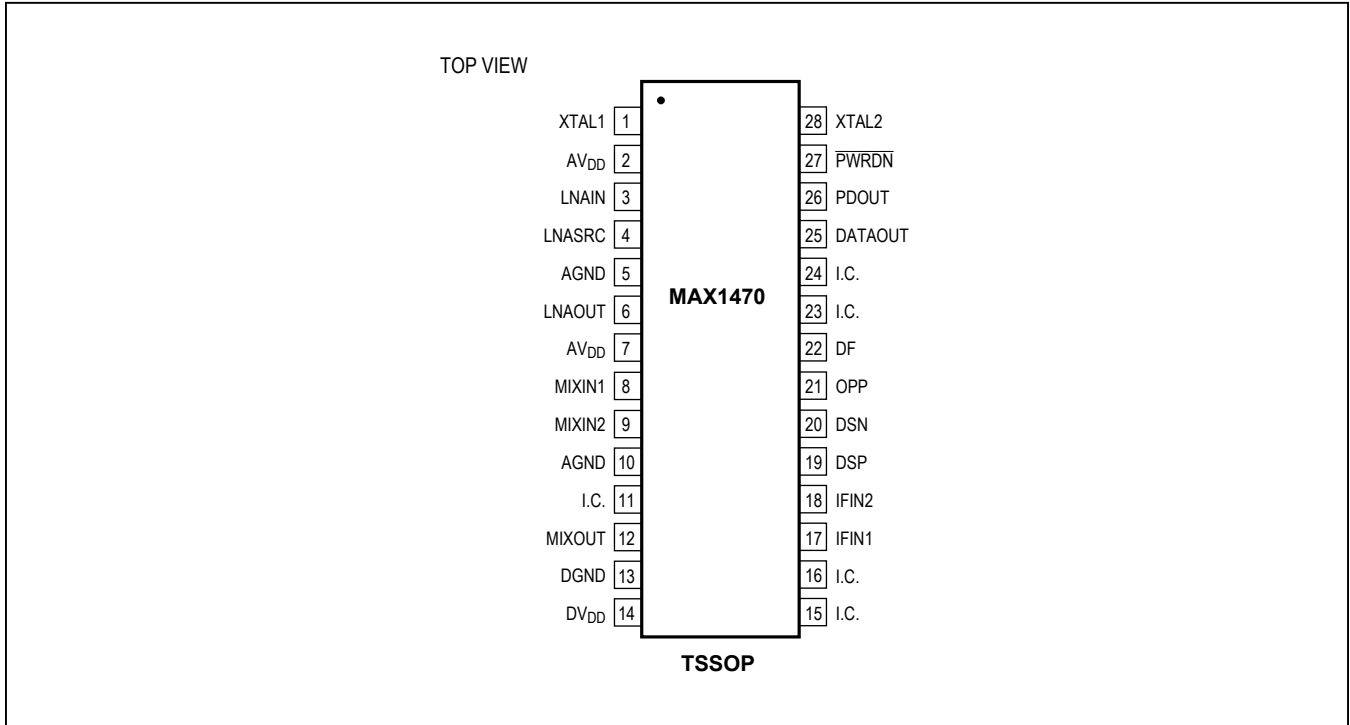
**Chip Information**

TRANSISTOR COUNT: 1835

PROCESS: CMOS



Pin Configuration



Package Information

For the latest package outline information and land patterns (footprints), go to [www.maximintegrated.com/packages](http://www.maximintegrated.com/packages). Note that a “+”, “#”, or “-” in the package code indicates RoHS status only. Package drawings may show a different suffix character, but the drawing pertains to the package regardless of RoHS status.

PACKAGE TYPE	PACKAGE CODE	OUTLINE NO.	LAND PATTERN NO.
28 TSSOP	U28+1	<a href="#">21-0066</a>	—

## Revision History

REVISION NUMBER	REVISION DATE	DESCRIPTION	PAGES CHANGED
0	8/01	Initial release	—
1	9/14	Removed automotive reference from page 1	1

For pricing, delivery, and ordering information, please contact Maxim Direct at 1-888-629-4642, or visit Maxim Integrated's website at [www.maximintegrated.com](http://www.maximintegrated.com).

*Maxim Integrated cannot assume responsibility for use of any circuitry other than circuitry entirely embodied in a Maxim Integrated product. No circuit patent licenses are implied. Maxim Integrated reserves the right to change the circuitry and specifications without notice at any time. The parametric values (min and max limits) shown in the Electrical Characteristics table are guaranteed. Other parametric values quoted in this data sheet are provided for guidance.*

## Looking for pricing, stock, or lifecycle information?

Click below to explore more details on WIN SOURCE:

 [View MAX1470EUI+T on WIN SOURCE](#)

 [Maxim Integrated](#) Information

## Optimize Your Supply Chain with WIN SOURCE Solutions

-  Global Sourcing Solution
-  Obsolete Management
-  Cost Control Management
-  Shortage Management
-  Alternative Solution
-  Excess Inventory Management