



**THE DATASHEET OF
MAX1113CEE+**



+5V, Low-Power, Multi-Channel, Serial 8-Bit ADCs

General Description

The MAX1112/MAX1113 low-power, 8-bit, 8-channel analog-to-digital converters (ADCs) feature an internal track/hold, voltage reference, clock, and serial interface. They operate from a single 4.5V to 5.5V supply and consume only 135 μ A while sampling at rates up to 50ksp/s. The MAX1112's 8 analog inputs and the MAX1113's 4 analog inputs are software-configurable, allowing unipolar/bipolar and single-ended/differential operation.

Successive-approximation conversions are performed using either the internal clock or an external serial-interface clock. The full-scale analog input range is determined by the 4.096V internal reference, or by an externally applied reference ranging from 1V to V_{DD} . The 4-wire serial interface is compatible with the SPI™, QSPI™, and MICROWIRE™ serial-interface standards. A serial-strobe output provides the end-of-conversion signal for interrupt-driven processors.

The MAX1112/MAX1113 have a software-programmable, 2 μ A automatic power-down mode to minimize power consumption. Using power-down, the supply current is reduced to 13 μ A at 1ksp/s, and only 82 μ A at 10ksp/s. Power-down can also be controlled using the SHDN input pin. Accessing the serial interface automatically powers up the device.

The MAX1112 is available in a 20-pin SSOP package. The MAX1113 is available in a small 16-pin QSOP package.

Applications

- Portable Data Logging
- Hand-Held Measurement Devices
- Medical Instruments
- System Diagnostics
- Solar-Powered Remote Systems
- 4mA to 20mA-Powered Remote Data-Acquisition Systems

Pin Configurations appear at end of data sheet.

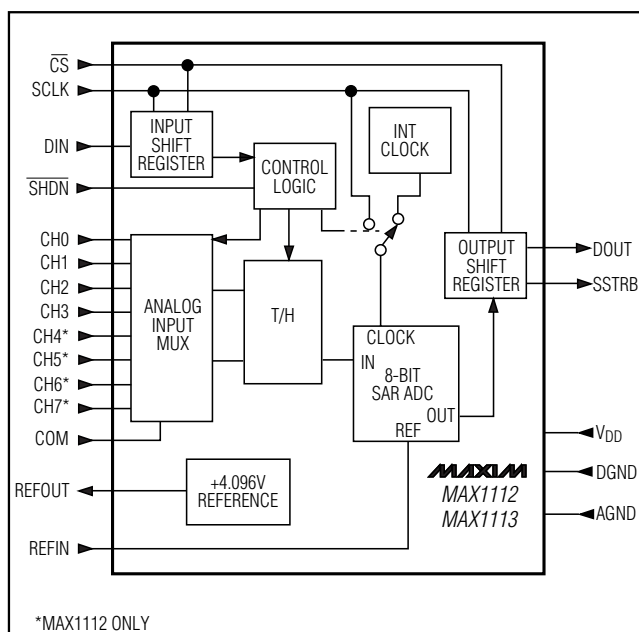
SPI and QSPI are trademarks of Motorola, Inc.
MICROWIRE is a trademark of National Semiconductor Corp.

Features

- ◆ 4.5V to 5.5V Single Supply
- ◆ Low Power: 135 μ A at 50ksp/s
13 μ A at 1ksp/s
- ◆ 8-Channel Single-Ended or 4-Channel Differential Inputs (MAX1112)
- ◆ 4-Channel Single-Ended or 2-Channel Differential Inputs (MAX1113)
- ◆ Internal Track/Hold; 50kHz Sampling Rate
- ◆ Internal 4.096V Reference
- ◆ SPI/QSPI/MICROWIRE-Compatible Serial Interface
- ◆ Software-Configurable Unipolar or Bipolar Inputs
- ◆ Total Unadjusted Error: ± 1 LSB (max)
 ± 0.3 LSB (typ)

Ordering Information continued at end of data sheet.

Functional Diagram



+5V, Low-Power, Multi-Channel, Serial 8-Bit ADCs

ABSOLUTE MAXIMUM RATINGS

V _{DD} to AGND	-0.3V to +6V
AGND to DGND	-0.3V to +0.3V
CH0-CH7, COM, REFIN, REFOUT to AGND	-0.3V to (V _{DD} + 0.3V)
Digital Inputs to DGND	-0.3V to +6V
Digital Outputs to DGND	-0.3V to (V _{DD} + 0.3V)
Continuous Power Dissipation (T _A = +70°C)	
QSOP (derate 8.30mW/°C above +70°C)	667mW
SSOP (derate 8.00mW/°C above +70°C)	640mW

Operating Temperature Ranges

MAX1112CAP/MAX1113CEE	0°C to +70°C
MAX1112EAP/MAX1113EEE	-40°C to +85°C
Storage Temperature Range	-65°C to +150°C
Lead Temperature (soldering, 10s)	+300°C
Soldering Temperature (reflow)	+260°C

Stresses beyond those listed under "Absolute Maximum Ratings" may cause permanent damage to the device. These are stress ratings only, and functional operation of the device at these or any other conditions beyond those indicated in the operational sections of the specifications is not implied. Exposure to absolute maximum rating conditions for extended periods may affect device reliability.

ELECTRICAL CHARACTERISTICS

(V_{DD} = 4.5V to 5.5V; unipolar input mode; V_{COM} = 0V; f_{SCLK} = 500kHz, external clock (50% duty cycle); 10 clocks/conversion cycle (50ksps); 1μF capacitor at REFOUT; T_A = T_{MIN} to T_{MAX}; unless otherwise noted.)

PARAMETER	SYMBOL	CONDITIONS	MIN	TYP	MAX	UNITS
DC ACCURACY						
Resolution			8			Bits
Relative Accuracy (Note 1)	INL			±0.1	±0.5	LSB
Differential Nonlinearity	DNL	No missing codes over temperature			±1	LSB
Offset Error				±0.3	±1	LSB
Gain Error (Note 2)		Internal or external reference			±1	LSB
Gain Temperature Coefficient		External reference, 4.096V		±0.8		ppm/°C
Total Unadjusted Error	TUE			±0.3	±1	LSB
Channel-to-Channel Offset Matching				±0.1		LSB
DYNAMIC SPECIFICATIONS (10.034kHz sine-wave input, 4.096V _{P-P} , 50ksps, 500kHz external clock)						
Signal-to-Noise and Distortion Ratio	SINAD			49		dB
Total Harmonic Distortion (Up to the 5th Harmonic)	THD			-70		dB
Spurious-Free Dynamic Range	SFDR			68		dB
Channel-to-Channel Crosstalk		V _{CH-} = 4.096V _{P-P} , 25kHz (Note 3)		-75		dB
Small-Signal Bandwidth		-3dB rolloff		1.5		MHz
Full-Power Bandwidth				800		kHz

+5V, Low-Power, Multi-Channel, Serial 8-Bit ADCs

MAX112/MAX113

ELECTRICAL CHARACTERISTICS (continued)

(V_{DD} = 4.5V to 5.5V; unipolar input mode; V_{COM} = 0V; f_{SCLK} = 500kHz, external clock (50% duty cycle); 10 clocks/conversion cycle (50ksp/s); 1μF capacitor at REFOUT; T_A = T_{MIN} to T_{MAX}; unless otherwise noted.)

PARAMETER	SYMBOL	CONDITIONS	MIN	TYP	MAX	UNITS
CONVERSION RATE						
Conversion Time (Note 4)	t _{CONV}	Internal clock		25	55	μs
		External clock, 500kHz, 10 clocks/conversion	20			
Track/Hold Acquisition Time	t _{ACQ}	External clock, 2MHz	1			μs
Aperture Delay				10		ns
Aperture Jitter				< 50		ps
Internal Clock Frequency				400		kHz
External Clock-Frequency Range		(Note 5)	50		500	kHz
		Used for data transfer only			2	MHz
ANALOG INPUT						
Input Voltage Range, Single-Ended and Differential (Note 6)		Unipolar input, V _{COM} = 0V	0		V _{REFIN}	V
		Bipolar input, V _{COM} = V _{REFIN} /2			COM ± V _{REFIN} /2	
Multiplexer Leakage Current		On/off leakage current, V _{CH₋} = 0V or V _{DD}		±0.01	±1	μA
Input Capacitance				18		pF
INTERNAL REFERENCE						
REFOUT Voltage			3.936	4.096	4.256	V
REFOUT Short-Circuit Current				6		mA
REFOUT Temperature Coefficient				±50		ppm/°C
Load Regulation (Note 7)		0 to 0.5mA output load		4.5		mV
Capacitive Bypass at REFOUT			1			μF
EXTERNAL REFERENCE AT REFIN						
Input Voltage Range			1		V _{DD} + 50	V
Input Current		(Note 8)		1	20	μA
POWER REQUIREMENTS						
Supply Voltage	V _{DD}		4.5		5.5	V
Supply Current	I _{DD}	Full-scale input C _{LOAD} = 10pF	Operating mode	135	250	μA
			Reference disabled	95		
		Power-down	Software	2		
			SHDN at DGND	3.2	10	
Power-Supply Rejection (Note 9)	PSR	V _{DD} = 4.5V to 5.5V; external reference, 4.096V; full-scale input		±0.4	±4	mV

+5V, Low-Power, Multi-Channel, Serial 8-Bit ADCs

ELECTRICAL CHARACTERISTICS (continued)

(V_{DD} = 4.5V to 5.5V; unipolar input mode; V_{COM} = 0V; f_{SCLK} = 500kHz, external clock (50% duty cycle); 10 clocks/conversion cycle (50ksp/s); 1 μ F capacitor at REFOUT; T_A = T_{MIN} to T_{MAX} ; unless otherwise noted.)

PARAMETER	SYMBOL	CONDITIONS	MIN	TYP	MAX	UNITS
DIGITAL INPUTS (DIN, SCLK, \overline{CS})						
DIN, SCLK, \overline{CS} Input High Voltage	V_{IH}		3			V
DIN, SCLK, \overline{CS} Input Low Voltage	V_{IL}				0.8	V
DIN, SCLK, \overline{CS} Input Hysteresis	V_{HYST}			0.2		V
DIN, SCLK, \overline{CS} Input Leakage	I_{IN}	Digital inputs = 0V or V_{DD}			± 1	μ A
DIN, SCLK, \overline{CS} Input Capacitance	C_{IN}	(Note 5)			15	pF
SHDN INPUT						
\overline{SHDN} Input High Voltage	V_{SH}		$V_{DD} - 0.4$			V
\overline{SHDN} Input Mid-Voltage	V_{SM}		1.1	$V_{DD} - 1.1$		V
\overline{SHDN} Voltage, High Impedance	V_{FLT}	\overline{SHDN} = open	$V_{DD}/2$			V
\overline{SHDN} Input Low Voltage	V_{SL}				0.4	V
\overline{SHDN} Input Current		\overline{SHDN} = 0V or V_{DD}			± 4	μ A
\overline{SHDN} Maximum Allowed Leakage for Mid-Input		\overline{SHDN} = open			± 100	nA
DIGITAL OUTPUTS (DOUT, SSTRB)						
Output Low Voltage	V_{OL}	$I_{SINK} = 5mA$			0.4	V
		$I_{SINK} = 16mA$			0.8	
Output High Voltage	V_{OH}	$I_{SOURCE} = 0.5mA$	$V_{DD} - 0.5$			V
Three-State Leakage Current	I_L	$\overline{CS} = V_{DD}$		± 0.01	± 10	μ A
Three-State Output Capacitance	C_{OUT}	$\overline{CS} = V_{DD}$ (Note 5)			15	pF

+5V, Low-Power, Multi-Channel, Serial 8-Bit ADCs

MAX1112/MAX1113

TIMING CHARACTERISTICS (Figures 8 and 9)

(V_{DD} = 4.5V to 5.5V, T_A = T_{MIN} to T_{MAX}, unless otherwise noted.)

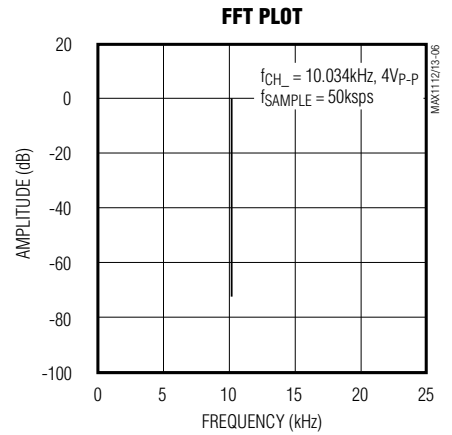
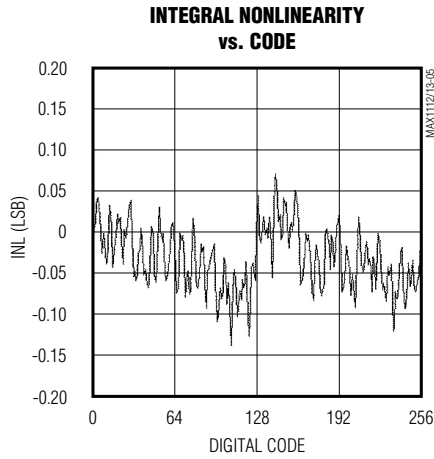
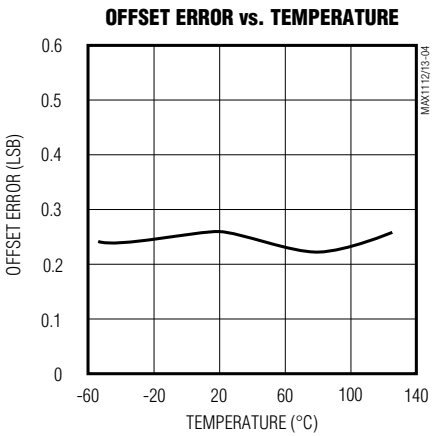
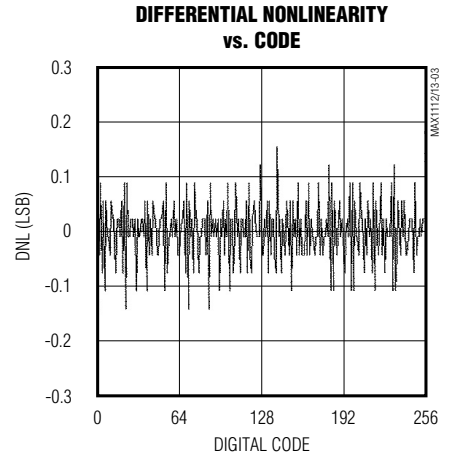
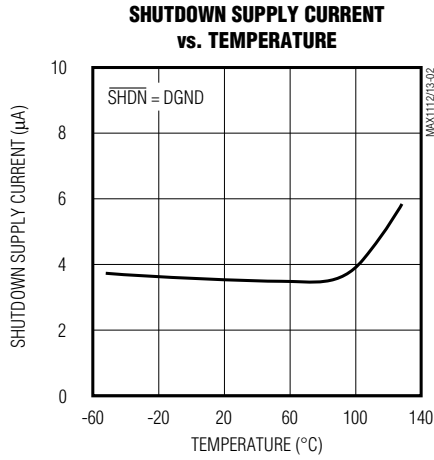
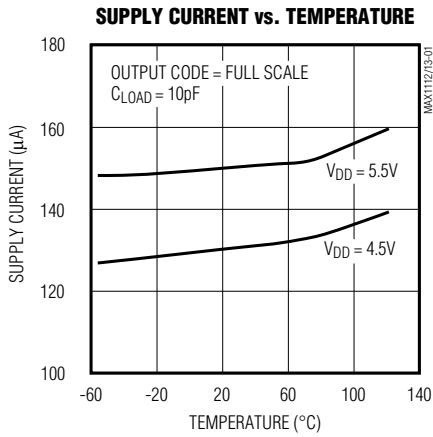
PARAMETER	SYMBOL	CONDITIONS	MIN	TYP	MAX	UNITS
Track/Hold Acquisition Time	t _{ACQ}		1			μs
DIN to SCLK Setup	t _{DS}		100			ns
DIN to SCLK Hold	t _{DH}		0			ns
SCLK Fall to Output Data Valid	t _{DO}	Figure 1, C _{LOAD} = 100pF	20		200	ns
$\overline{\text{CS}}$ Fall to Output Enable	t _{DV}	Figure 1, C _{LOAD} = 100pF			240	ns
$\overline{\text{CS}}$ Rise to Output Disable	t _{TR}	Figure 2, C _{LOAD} = 100pF			240	ns
$\overline{\text{CS}}$ to SCLK Rise Setup	t _{CSS}		100			ns
$\overline{\text{CS}}$ to SCLK Rise Hold	t _{CSH}		0			ns
SCLK Pulse Width High	t _{CH}		200			ns
SCLK Pulse Width Low	t _{CL}		200			ns
SCLK Fall to SSTRB	t _{SSTRB}	C _{LOAD} = 100pF			240	ns
$\overline{\text{CS}}$ Fall to SSTRB Output Enable (Note 5)	t _{SDV}	Figure 1, external clock mode only, C _{LOAD} = 100pF			240	ns
$\overline{\text{CS}}$ Rise to SSTRB Output Disable (Note 5)	t _{STR}	Figure 2, external clock mode only, C _{LOAD} = 100pF			240	ns
SSTRB Rise to SCLK Rise (Note 5)	t _{SCK}	Figure 11, internal clock mode only	0			ns
Wakeup Time	t _{WAKE}	External reference		20		μs
		Internal reference (Note 10)		24		ms

- Note 1:** Relative accuracy is the analog value's deviation (at any code) from its theoretical value after the full-scale range is calibrated.
- Note 2:** V_{REFIN} = 4.096V, offset nulled.
- Note 3:** On-channel grounded; sine wave applied to all off-channels.
- Note 4:** Conversion time is defined as the number of clock cycles multiplied by the clock period; clock has 50% duty cycle.
- Note 5:** Guaranteed by design. Not subject to production testing.
- Note 6:** Common-mode range for the analog inputs is from AGND to V_{DD}.
- Note 7:** External load should not change during the conversion for specified accuracy.
- Note 8:** External reference at 4.096V, full-scale input, 500kHz external clock.
- Note 9:** Measured as | V_{FS} (4.5V) - V_{FS} (5.5V) |.
- Note 10:** 1μF at REFOUT; internal reference settling to 0.5 LSB.

+5V, Low-Power, Multi-Channel, Serial 8-Bit ADCs

Typical Operating Characteristics

($V_{DD} = 5.0V$; $f_{SCLK} = 500kHz$; external clock (50% duty cycle); $R_L = \infty$; $T_A = +25^\circ C$, unless otherwise noted.)



+5V, Low-Power, Multi-Channel, Serial 8-Bit ADCs

MAX1112/MAX1113

Pin Description

PIN		NAME	FUNCTION
MAX1112	MAX1113		
1–4	1–4	CH0–CH3	Sampling Analog Inputs
5–8	—	CH4–CH7	Sampling Analog Inputs
9	5	COM	Ground Reference for Analog Inputs. Sets zero-code voltage in single-ended mode. Must be stable to ± 0.5 LSB.
10	6	$\overline{\text{SHDN}}$	Three-Level Shutdown Input. Normally high impedance. Pulling $\overline{\text{SHDN}}$ low shuts the MAX1112/MAX1113 down to 10 μA (max) supply current; otherwise, the devices are fully operational. Pulling $\overline{\text{SHDN}}$ high shuts down the internal reference.
11	7	REFIN	Reference Voltage Input for Analog-to-Digital Conversion. Connect to REFOUT to use the internal reference.
12	8	REFOUT	Internal Reference Generator Output. Bypass with a 1 μF capacitor to AGND.
13	9	AGND	Analog Ground
14	10	DGND	Digital Ground
15	11	DOUT	Serial-Data Output. Data is clocked out on SCLK's falling edge. High impedance when $\overline{\text{CS}}$ is high.
16	12	SSTRB	Serial-Strobe Output. In internal clock mode, SSTRB goes low when the MAX1112/MAX1113 begin the A/D conversion and goes high when the conversion is complete. In external clock mode, SSTRB pulses high for two clock periods before the MSB is shifted out. High impedance when $\overline{\text{CS}}$ is high (external clock mode only).
17	13	DIN	Serial-Data Input. Data is clocked in at SCLK's rising edge.
18	14	$\overline{\text{CS}}$	Active-Low Chip Select. Data is not clocked into DIN unless $\overline{\text{CS}}$ is low. When $\overline{\text{CS}}$ is high, DOUT is high impedance.
19	15	SCLK	Serial-Clock Input. Clocks data in and out of serial interface. In external clock mode, SCLK also sets the conversion speed (duty cycle must be 45% to 55%).
20	16	V _{DD}	Positive Supply Voltage, 4.5V to 5.5V. Bypass to AGND with 0.1 μF and 1 μF capacitor as close as possible to the device. Place the 0.1 μF capacitor closer to V _{P-P} .

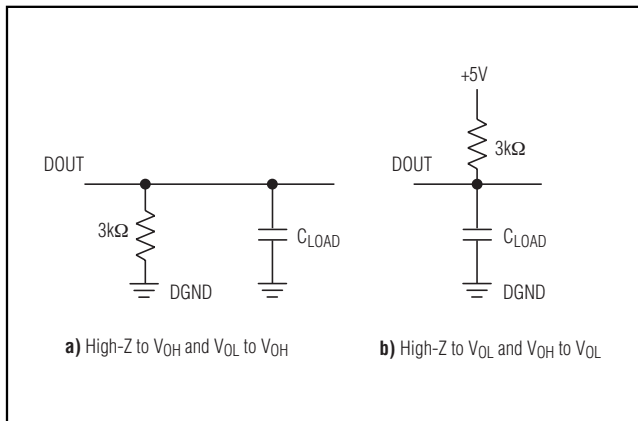


Figure 1. Load Circuits for Enable Time

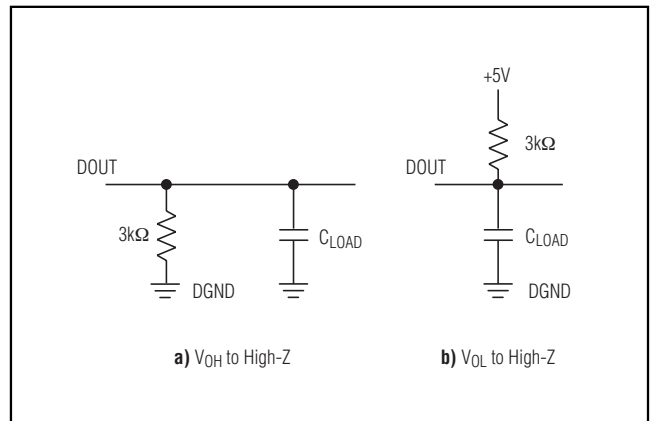


Figure 2. Load Circuits for Disable Time

+5V, Low-Power, Multi-Channel, Serial 8-Bit ADCs

Detailed Description

The MAX1112/MAX1113 analog-to-digital converters (ADCs) use a successive-approximation conversion technique and input track/hold (T/H) circuitry to convert an analog signal to an 8-bit digital output. A flexible serial interface provides easy interface to microprocessors (μ Ps). Figure 3 shows the Typical Operating Circuit.

Pseudo-Differential Input

The sampling architecture of the ADC's analog comparator is illustrated in Figure 4, the equivalent input circuit. In single-ended mode, $IN+$ is internally switched to the selected input channel, CH_n , and $IN-$ is switched to COM. In differential mode, $IN+$ and $IN-$ are selected from the following pairs: $CH0/CH1$, $CH2/CH3$, $CH4/CH5$, and $CH6/CH7$. Configure the MAX1112 channels with Table 1 and the MAX1113 channels with Table 2.

In differential mode, $IN-$ and $IN+$ are internally switched to either of the analog inputs. This configuration is pseudo-differential to the effect that only the signal at $IN+$ is sampled. The return side ($IN-$) must remain stable within ± 0.5 LSB (± 0.1 LSB for best results) with respect to AGND during a conversion. To accomplish this, connect a $0.1\mu F$ capacitor from $IN-$ (the selected analog input) to AGND if necessary.

During the acquisition interval, the channel selected as the positive input ($IN+$) charges capacitor C_{HOLD} . The

acquisition interval spans two SCLK cycles and ends on the falling SCLK edge after the last bit of the input control word has been entered. At the end of the acquisition interval, the T/H switch opens, retaining charge on C_{HOLD} as a sample of the signal at $IN+$.

The conversion interval begins with the input multiplexer switching C_{HOLD} from the positive input ($IN+$) to the negative input ($IN-$). In single-ended mode, $IN-$ is simply COM. This unbalances node ZERO at the input of the comparator. The capacitive DAC adjusts during the remainder of the conversion cycle to restore node ZERO to 0V within the limits of 8-bit resolution. This action is equivalent to transferring a charge of $18pF \times (V_{IN+} - V_{IN-})$ from C_{HOLD} to the binary-weighted capacitive DAC, which in turn forms a digital representation of the analog input signal.

Track/Hold

The T/H enters its tracking mode on the falling clock edge after the sixth bit of the 8-bit control byte has been shifted in. It enters its hold mode on the falling clock edge after the eighth bit of the control byte has been shifted in. If the converter is set up for single-ended inputs, $IN-$ is connected to COM, and the converter samples the "+" input; if it is set up for differential inputs, $IN-$ connects to the "-" input, and the difference ($IN+ - IN-$) is sampled. At the end of the conversion, the positive input connects back to $IN+$, and C_{HOLD} charges to the input signal.

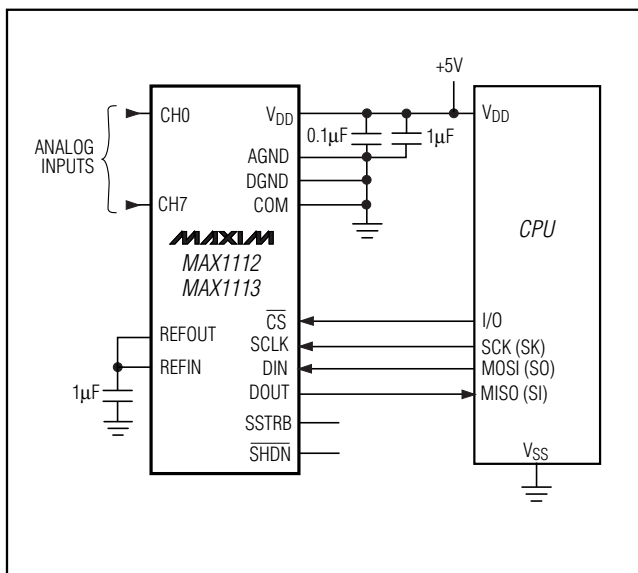


Figure 3. Typical Operating Circuit

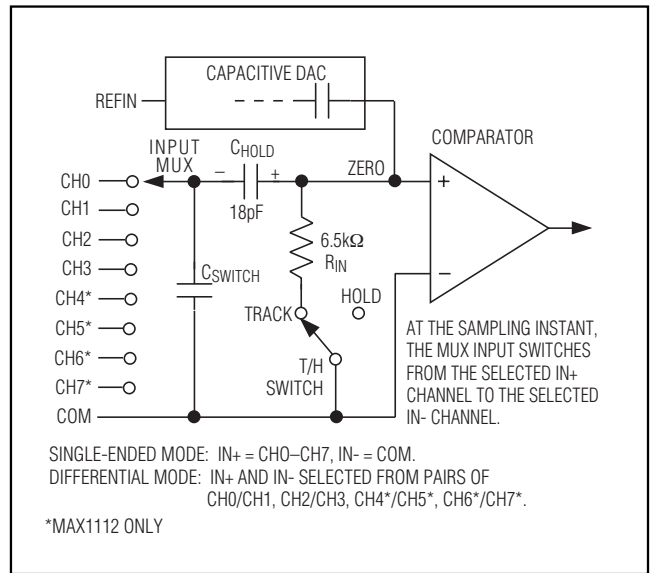


Figure 4. Equivalent Input Circuit

+5V, Low-Power, Multi-Channel, Serial 8-Bit ADCs

MAX1112/MAX1113

Table 1a. MAX1112 Channel Selection in Single-Ended Mode (SGL/DIF = 1)

SEL2	SEL1	SEL0	CH0	CH1	CH2	CH3	CH4	CH5	CH6	CH7	COM
0	0	0	+								-
1	0	0		+							-
0	0	1			+						-
1	0	1				+					-
0	1	0					+				-
1	1	0						+			-
0	1	1							+		-
1	1	1								+	-

Table 1b. MAX1112 Channel Selection in Differential Mode (SGL/DIF = 0)

SEL2	SEL1	SEL0	CH0	CH1	CH2	CH3	CH4	CH5	CH6	CH7
0	0	0	+	-						
0	0	1			+	-				
0	1	0					+	-		
0	1	1							+	-
1	0	0	-	+						
1	0	1			-	+				
1	1	0					-	+		
1	1	1							-	+

Table 2a. MAX1113 Channel Selection in Single-Ended Mode (SGL/DIF = 1)

SEL2	SEL1	SEL0	CH0	CH1	CH2	CH3	COM
0	0	X	+				-
1	0	X		+			-
0	1	X			+		-
1	1	X				+	-

Table 2b. MAX1113 Channel Selection in Differential Mode (SGL/DIF = 0)

SEL2	SEL1	SEL0	CH0	CH1	CH2	CH3
0	0	X	+	-		
0	1	X			+	-
1	0	X	-	+		
1	1	X			-	+

+5V, Low-Power, Multi-Channel, Serial 8-Bit ADCs

The time required for the T/H to acquire an input signal is a function of how quickly its input capacitance is charged. If the input signal's source impedance is high, the acquisition time lengthens, and more time must be allowed between conversions. The acquisition time, t_{ACQ} , is the minimum time needed for the signal to be acquired. It is calculated by:

$$t_{ACQ} = 6 \times (R_S + R_{IN}) \times 18\text{pF}$$

where $R_{IN} = 6.5\text{k}\Omega$, R_S = the source impedance of the input signal, and t_{ACQ} is never less than $1\mu\text{s}$. Note that source impedances below $2.4\text{k}\Omega$ do not significantly affect the AC performance of the ADC.

Input Bandwidth

The ADC's input tracking circuitry has a 1.5MHz small-signal bandwidth, so it is possible to digitize high-speed transient events and measure periodic signals with bandwidths exceeding the ADC's sampling rate by using undersampling techniques. To avoid high-frequency signals being aliased into the frequency band of interest, anti-alias filtering is recommended.

Analog Inputs

Internal protection diodes, which clamp the analog input to V_{DD} and AGND, allow the channel input pins to swing from $(\text{AGND} - 0.3\text{V})$ to $(V_{DD} + 0.3\text{V})$ without dam-

age. However, for accurate conversions near full scale, the inputs must not exceed V_{DD} by more than 50mV or be lower than AGND by 50mV.

If the analog input exceeds 50mV beyond the supplies, do not forward bias the protection diodes of off channels over 2mA.

The MAX1112/MAX1113 can be configured for differential or single-ended inputs with bits 2 and 3 of the control byte (Table 3). In single-ended mode, analog inputs are internally referenced to COM with a full-scale input range from COM to $V_{REFIN} + \text{COM}$. For bipolar operation, set COM to $V_{REFIN}/2$.

In differential mode, choosing unipolar mode sets the differential input range at 0V to V_{REFIN} . In unipolar mode, the output code is invalid (code zero) when a negative differential input voltage is applied. Bipolar mode sets the differential input range to $\pm V_{REFIN}/2$. Note that in this mode, the common-mode input range includes both supply rails. See Table 4 for input voltage ranges.

Quick Look

To quickly evaluate the MAX1112/MAX1113's analog performance, use the circuit of Figure 5. The MAX1112/MAX1113 require a control byte to be written to DIN before each conversion. Tying DIN to +5V feeds

Table 3. Control-Byte Format

BIT 7 (MSB)	BIT 6	BIT 5	BIT 4	BIT 3	BIT 2	BIT 1	BIT 0 (LSB)
START	SEL2	SEL1	SEL0	UNI/BIP	SGL/DIF	PD1	PD0

BIT	NAME	DESCRIPTION
7 (MSB)	START	The first logic "1" bit after $\overline{\text{CS}}$ goes low defines the beginning of the control byte.
6 5 4	SEL2 SEL1 SEL0	Select which of the input channels are to be used for the conversion (Tables 1 and 2).
3	UNI/BIP	1 = unipolar, 0 = bipolar. Selects unipolar or bipolar conversion mode (Table 4).
2	SGL/DIF	1 = single ended, 0 = differential. Selects single-ended or differential conversions. In single-ended mode, input signal voltages are referred to COM. In differential mode, the voltage difference between two channels is measured (Tables 1 and 2).
1	PD1	1 = fully operational, 0 = power-down. Selects fully operational or power-down mode.
0 (LSB)	PD0	1 = external clock mode, 0 = internal clock mode. Selects external or internal clock mode.

+5V, Low-Power, Multi-Channel, Serial 8-Bit ADCs

MAX1112/MAX1113

Table 4. Full-Scale and Zero-Scale Voltages

UNIPOLAR MODE		BIPOLAR MODE		
Full Scale	Zero Scale	Positive Full Scale	Zero Scale	Negative Full Scale
$V_{REFIN} + COM$	COM	$+V_{REFIN}/2 + COM$	COM	$-V_{REFIN}/2 + COM$

in control bytes of \$FF (hex), which trigger single-ended, unipolar conversions on CH7 (MAX1112) or CH3 (MAX1113) in external clock mode without powering down between conversions. In external clock mode, the SSTRB output pulses high for two clock periods before the most significant bit (MSB) of the 8-bit conversion result is shifted out of DOUT. Varying the analog input alters the output code. A total of 10 clock cycles is required per conversion. All transitions of the SSTRB and DOUT outputs occur on SCLK's falling edge.

How to Start a Conversion

A conversion is started by clocking a control byte into DIN. With \overline{CS} low, each rising edge on SCLK clocks a bit

from DIN into the MAX1112/MAX1113's internal shift register. After \overline{CS} falls, the first arriving logic "1" bit at DIN defines the MSB of the control byte. Until this first start bit arrives, any number of logic "0" bits can be clocked into DIN with no effect. Table 3 shows the control-byte format.

The MAX1112/MAX1113 are compatible with MICROWIRE, SPI, and QSPI devices. For SPI, select the correct clock polarity and sampling edge in the SPI control registers: set CPOL = 0 and CPHA = 0. MICROWIRE, SPI, and QSPI all transmit a byte and receive a byte at the same time. Using the Typical Operating Circuit (Figure 3), the simplest software interface requires three 8-bit transfers to perform a conversion (one 8-bit transfer to configure the ADC, and two more 8-bit transfers to clock out the

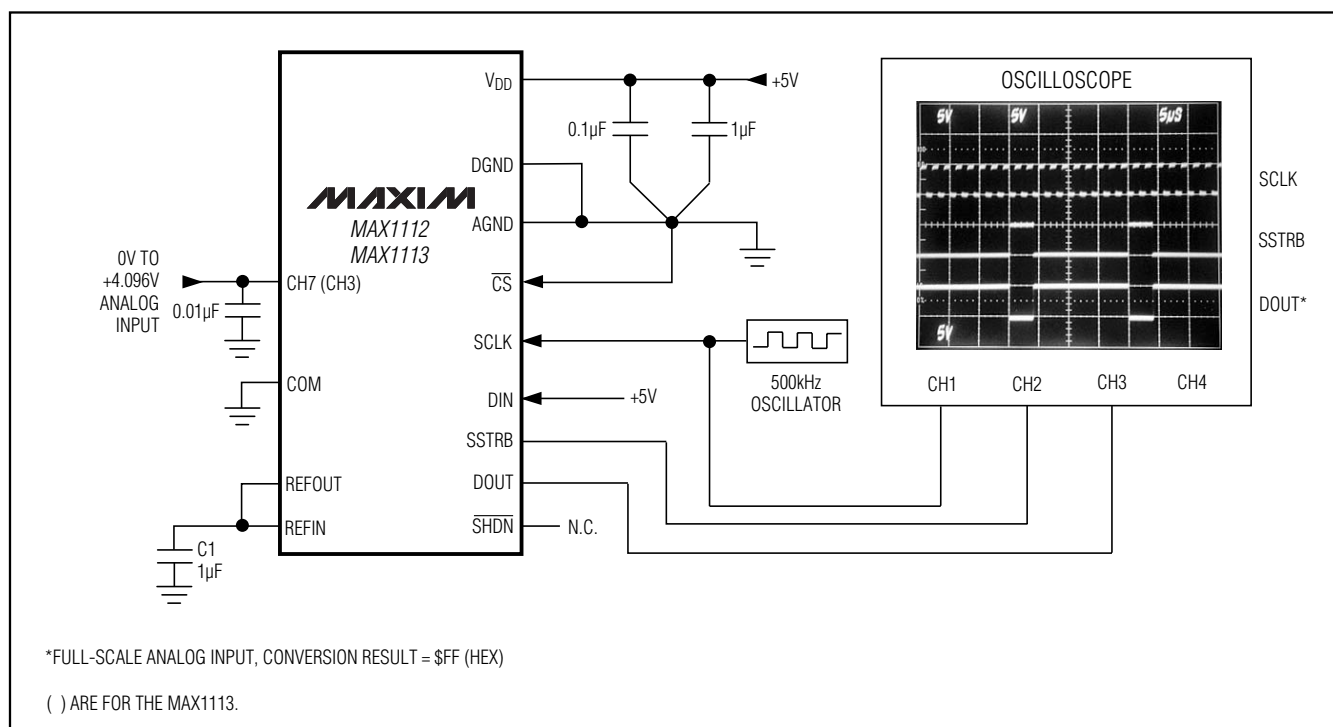


Figure 5. Quick-Look Circuit

+5V, Low-Power, Multi-Channel, Serial 8-Bit ADCs

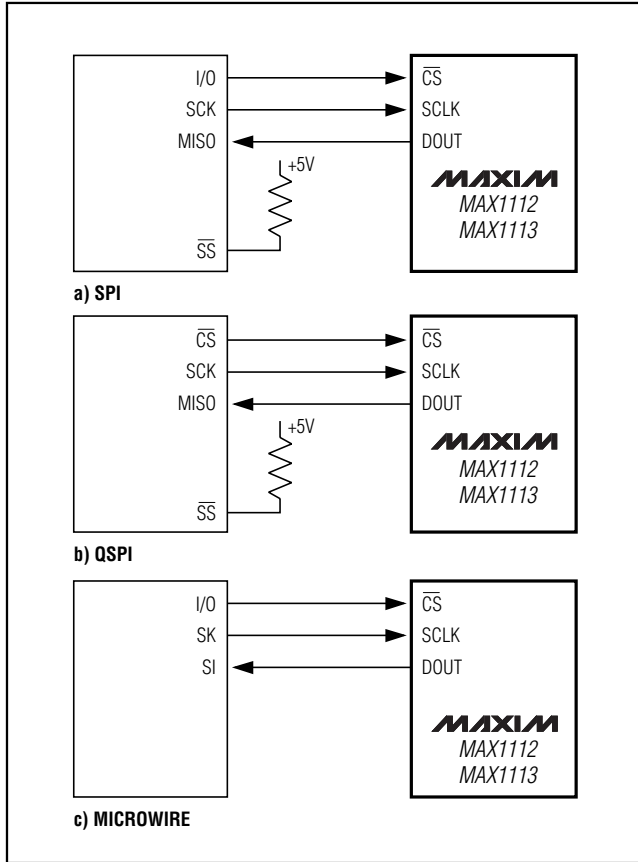


Figure 6. Common Serial-Interface Connections to the MAX1112/MAX1113

8-bit conversion result). Figure 6 shows the MAX1112/ MAX1113 common serial-interface connections.

Simple Software Interface

Make sure the CPU's serial interface runs in master mode so the CPU generates the serial clock. Choose a clock frequency from 50kHz to 500kHz.

- 1) Set up the control byte for external clock mode and call it TB1. TB1 should be of the format 1XXXXX11 binary, where the Xs denote the particular channel and conversion mode selected.
- 2) Use a general-purpose I/O line on the CPU to pull CS low.
- 3) Transmit TB1 and, simultaneously, receive a byte and call it RB1. Ignore RB1.
- 4) Transmit a byte of all zeros (\$00 hex) and, simultaneously, receive byte RB2.
- 5) Transmit a byte of all zeros (\$00 hex) and, simultaneously, receive byte RB3.
- 6) Pull CS high.

Figure 7 shows the timing for this sequence. Bytes RB2 and RB3 contain the result of the conversion padded with two leading zeros and six trailing zeros. The total conversion time is a function of the serial-clock frequency and the amount of idle time between 8-bit transfers. Make sure that the total conversion time does not exceed 1ms, to avoid excessive T/H droop.

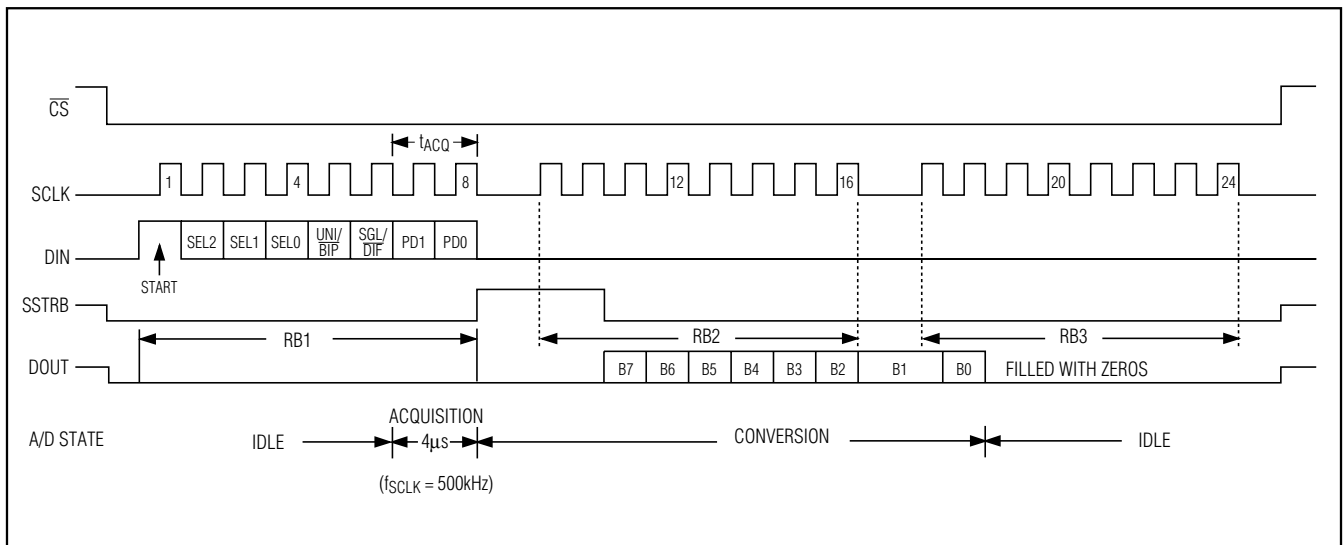


Figure 7. Single-Conversion Timing, External Clock Mode, 24 Clocks

+5V, Low-Power, Multi-Channel, Serial 8-Bit ADCs

Digital Output

In unipolar input mode, the output is straight binary (Figure 15). For bipolar inputs, the output is two's-complement (Figure 16). Data is clocked out at SCLK's falling edge in MSB-first format.

Clock Modes

The MAX1112/MAX1113 can use either an external serial clock or the internal clock to perform the successive-approximation conversion. In both clock modes, the external clock shifts data in and out of the devices. Bit PDO of the control byte programs the clock mode. Figures 8–11 show the timing characteristics common to both modes.

External Clock

In external clock mode, the external clock not only shifts data in and out, it also drives the analog-to-digital

conversion steps. SSTRB pulses high for two clock periods after the last bit of the control byte. Successive-approximation bit decisions are made and appear at DOUT on each of the next eight SCLK falling edges (Figure 7). After the eight data bits are clocked out, subsequent clock pulses clock out zeros from the DOUT pin.

SSTRB and DOUT go into a high-impedance state when \overline{CS} goes high; after the next \overline{CS} falling edge, SSTRB outputs a logic low. Figure 9 shows the SSTRB timing in external clock mode.

The conversion must complete in 1ms, or droop on the sample-and-hold capacitors can degrade conversion results. Use internal clock mode if the serial-clock frequency is less than 50kHz, or if serial-clock interruptions could cause the conversion interval to exceed 1ms.

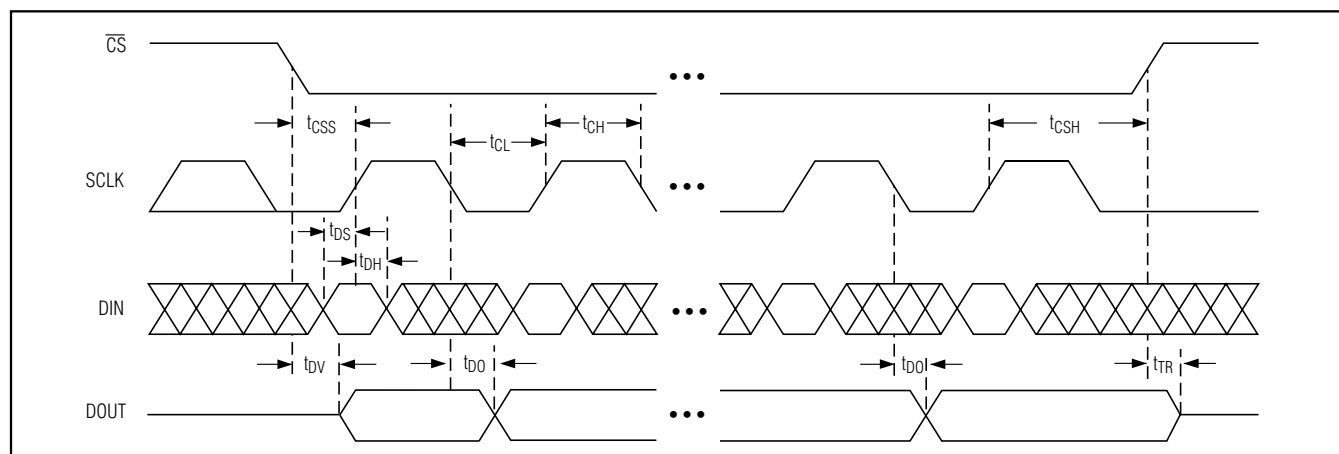


Figure 8. Detailed Serial-Interface Timing

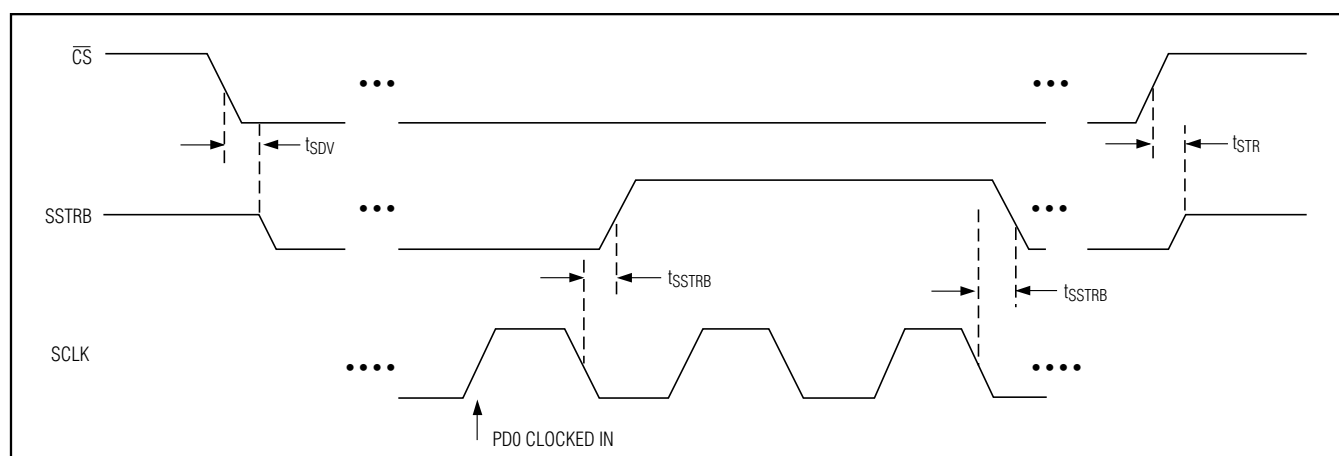


Figure 9. External Clock Mode SSTRB Detailed Timing

+5V, Low-Power, Multi-Channel, Serial 8-Bit ADCs

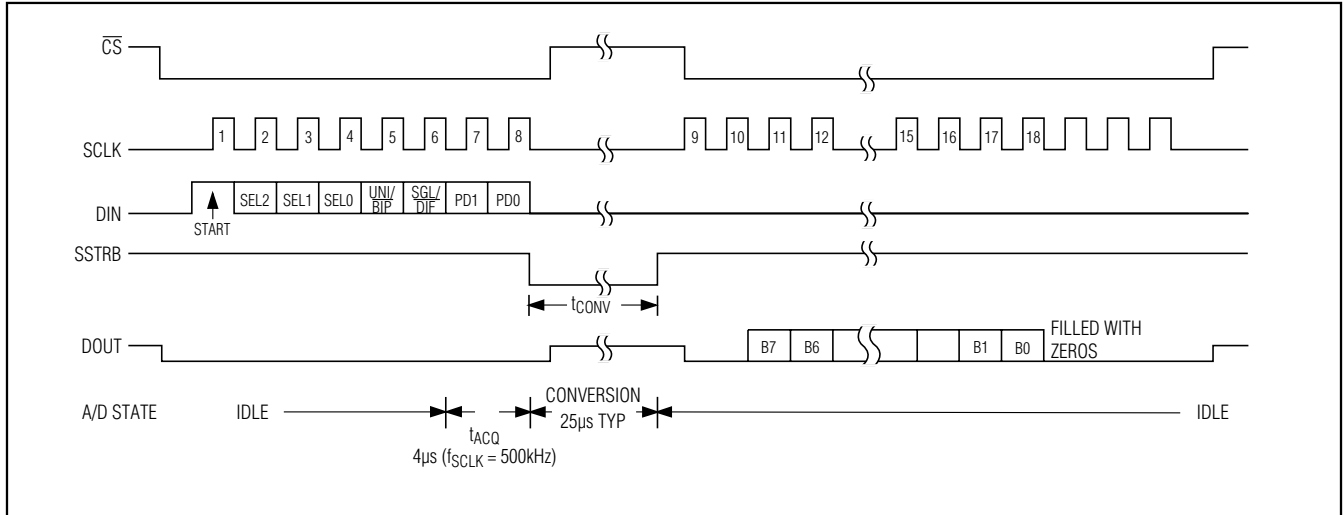


Figure 10. Internal Clock Mode Timing

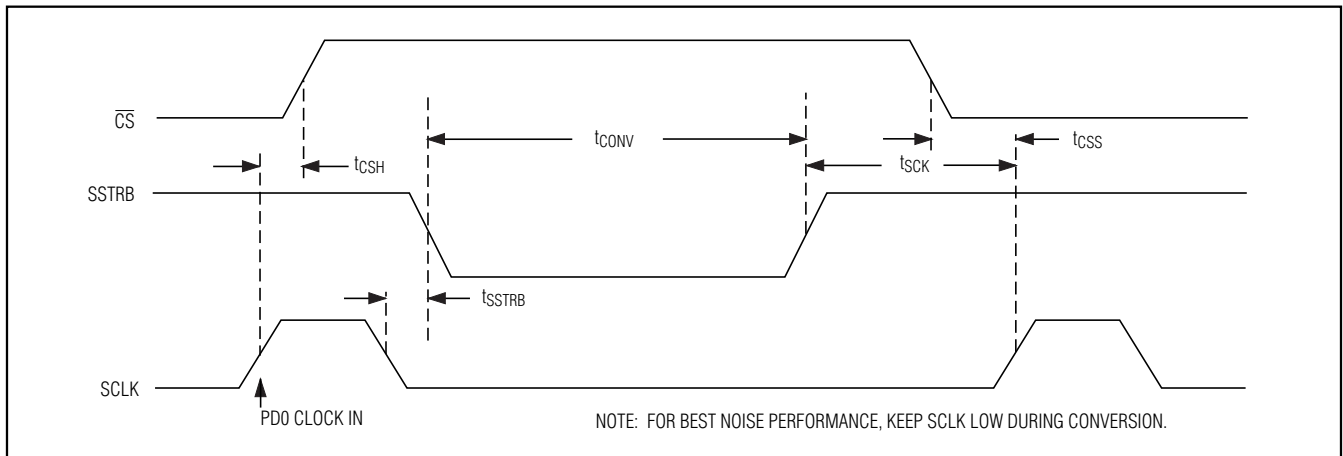


Figure 11. Internal Clock Mode SSTRB Detailed Timing

Internal Clock

Internal clock mode frees the μP from the burden of running the SAR conversion clock. This allows the conversion results to be read back at the processor's convenience, at any clock rate up to 2MHz. SSTRB goes low at the start of the conversion and then goes high when the conversion is complete. SSTRB is low for 25 μs (typ), during which time SCLK should remain low for best noise performance.

An internal register stores data when the conversion is in progress. SCLK clocks the data out of this register at any time after the conversion is complete. After SSTRB goes high, the second falling clock edge produces the MSB of the conversion at DOUT, followed by the

remaining bits in MSB-first format (Figure 10). $\overline{\text{CS}}$ does not need to be held low once a conversion is started. Pulling $\overline{\text{CS}}$ high prevents data from being clocked into the MAX1112/MAX1113 and three-states DOUT, but it does not adversely affect an internal clock-mode conversion already in progress. When internal clock mode is selected, SSTRB does not go into a high-impedance state when $\overline{\text{CS}}$ goes high.

Figure 11 shows the SSTRB timing in internal clock mode. In this mode, data can be shifted in and out of the MAX1112/MAX1113 at clock rates up to 2MHz, provided that the minimum acquisition time, t_{ACQ} , is kept above 1 μs .

+5V, Low-Power, Multi-Channel, Serial 8-Bit ADCs

MAX1112/MAX1113

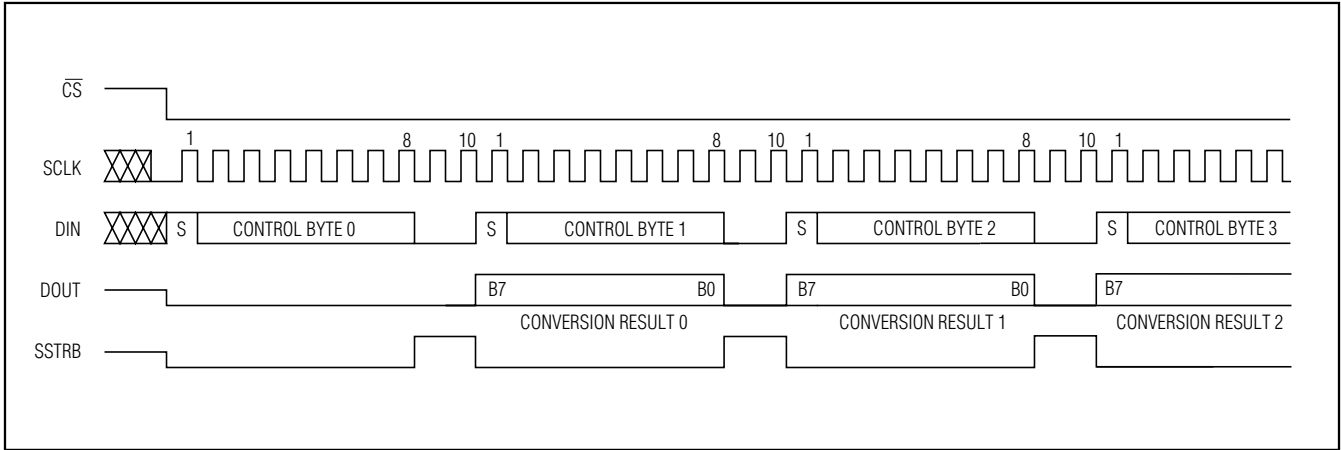


Figure 12a. Continuous Conversions, External Clock Mode, 10 Clocks/Conversion Timing

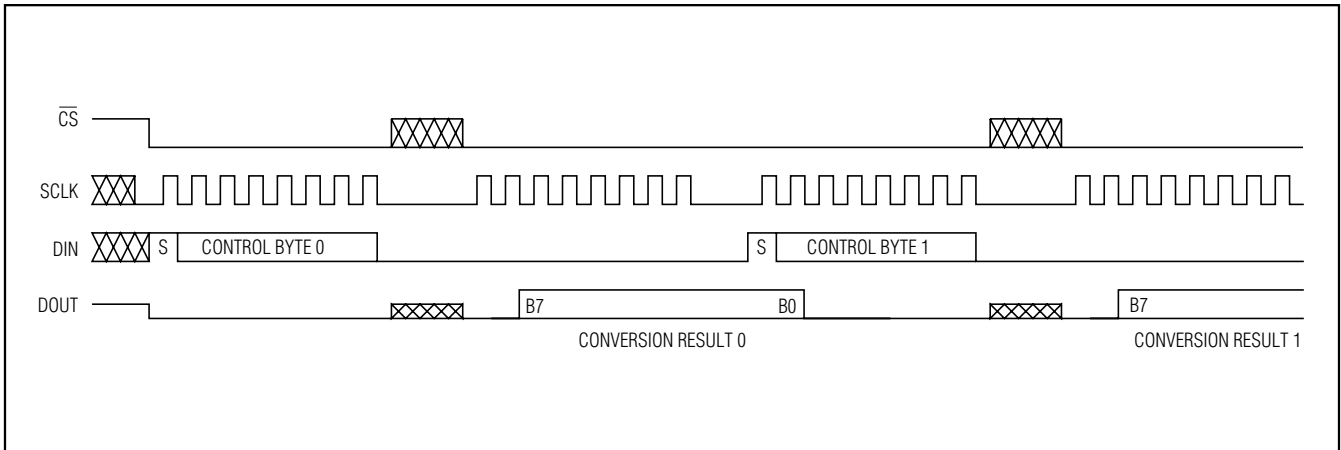


Figure 12b. Continuous Conversions, External Clock Mode, 16 Clocks/Conversion Timing

Data Framing

The falling edge of \overline{CS} does not start a conversion. The first logic high clocked into DIN is interpreted as a start bit and defines the first bit of the control byte. A conversion starts on the falling edge of SCLK, after the eighth bit of the control byte (the P0 bit) is clocked into DIN. The start bit is defined as:

The first high bit clocked into DIN with \overline{CS} low any time the converter is idle, e.g., after V_{DD} is applied.

OR

The first high bit clocked into DIN after the MSB of a conversion in progress is clocked onto the DOUT pin.

If \overline{CS} is toggled before the current conversion is complete, then the next high bit clocked into DIN is recognized as a start bit; the current conversion is terminated, and a new one is started.

The fastest the MAX1112/MAX1113 can run is 10 clocks per conversion. Figure 12a shows the serial-interface timing necessary to perform a conversion every 10 SCLK cycles in external clock mode.

Many microcontrollers require that conversions occur in multiples of eight SCLK clocks; 16 clocks per conversion is typically the fastest that a microcontroller can drive the MAX1112/MAX1113. Figure 12b shows the serial-interface timing necessary to perform a conversion every 16 SCLK cycles in external clock mode.

+5V, Low-Power, Multi-Channel, Serial 8-Bit ADCs

Applications Information

Power-On Reset

When power is first applied, and if $\overline{\text{SHDN}}$ is not pulled low, internal power-on reset circuitry activates the MAX1112/MAX1113 in internal clock mode. SSTRB is high on power-up and, if $\overline{\text{CS}}$ is low, the first logical 1 on DIN is interpreted as a start bit. Until a conversion takes place, DOUT shifts out zeros. No conversions should be performed until the reference voltage has stabilized (see the Wakeup Time specifications in the *Timing Characteristics*).

Power-Down

When operating at speeds below the maximum sampling rate, the MAX1112/MAX1113's automatic power-down mode can save considerable power by placing the converters in a low-current shutdown state between conversions. Figure 13 shows the average supply current as a function of the sampling rate.

Select power-down with PD1 of the DIN control byte with $\overline{\text{SHDN}}$ high or high impedance (Table 3). Pull $\overline{\text{SHDN}}$ low at any time to shut down the converters completely. $\overline{\text{SHDN}}$ overrides PD1 of the control byte. Figures 14a and 14b illustrate the various power-down sequences in both external and internal clock modes.

Software Power-Down

Software power-down is activated using bit PD1 of the control byte. When software power-down is asserted, the ADCs continue to operate in the last specified clock mode until the conversion is complete. The ADCs then power down into a low quiescent-current state. In internal clock mode, the interface remains active, and conversion results can be clocked out after the MAX1112/MAX1113 have entered a software power-down.

The first logical 1 on DIN is interpreted as a start bit, which powers up the MAX1112/MAX1113. If the DIN byte contains $\text{PD1} = 1$, then the chip remains powered up. If $\text{PD1} = 0$, power-down resumes after one conversion.

Table 5. Hard-Wired Power-Down and Internal Reference State

$\overline{\text{SHDN}}$ STATE	DEVICE MODE	INTERNAL REFERENCE
1	Enabled	Disabled
High Impedance	Enabled	Enabled
0	Power-Down	Disabled

Hard-Wired Power-Down

Pulling $\overline{\text{SHDN}}$ low places the converters in hard-wired power-down. Unlike software power-down, the conversion is not completed; it stops coincidentally with $\overline{\text{SHDN}}$ being brought low. $\overline{\text{SHDN}}$ also controls the state of the internal reference (Table 5). Letting $\overline{\text{SHDN}}$ high impedance enables the internal 4.096V voltage reference. When returning to normal operation with $\overline{\text{SHDN}}$ high impedance, there is a t_{RC} delay of approximately $1\text{M}\Omega \times C_{\text{LOAD}}$, where C_{LOAD} is the capacitive loading on the $\overline{\text{SHDN}}$ pin. Pulling $\overline{\text{SHDN}}$ high disables the internal reference, which saves power when using an external reference.

External Reference

An external reference between 1V and V_{DD} should be connected directly at the REFIN terminal. The DC input impedance at REFIN is extremely high, consisting of leakage current only (typically 10nA). During a conversion, the reference must be able to deliver up to 20 μA average load current and have an output impedance of 1k Ω or less at the conversion clock frequency. If the reference has higher output impedance or is noisy, bypass it close to the REFIN pin with a 0.1 μF capacitor.

If an external reference is used with the MAX1112/MAX1113, connect $\overline{\text{SHDN}}$ to V_{DD} to disable the internal reference and decrease power consumption.

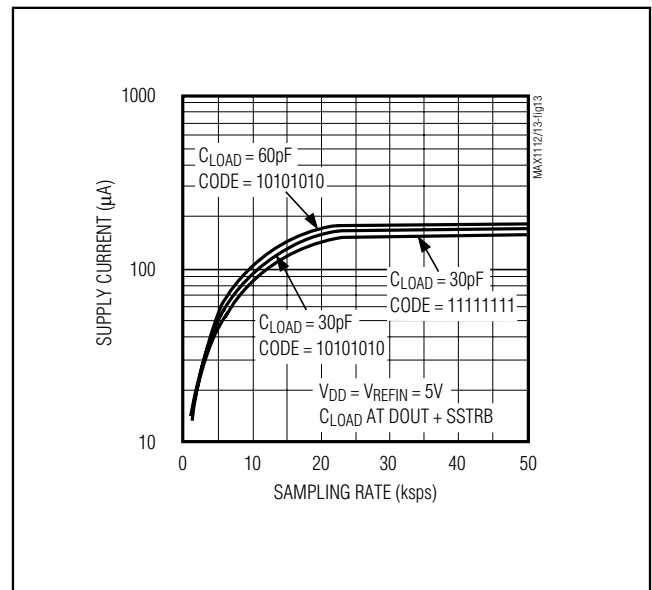


Figure 13. Average Supply Current vs. Sampling Rate

+5V, Low-Power, Multi-Channel, Serial 8-Bit ADCs

MAX1112/MAX1113

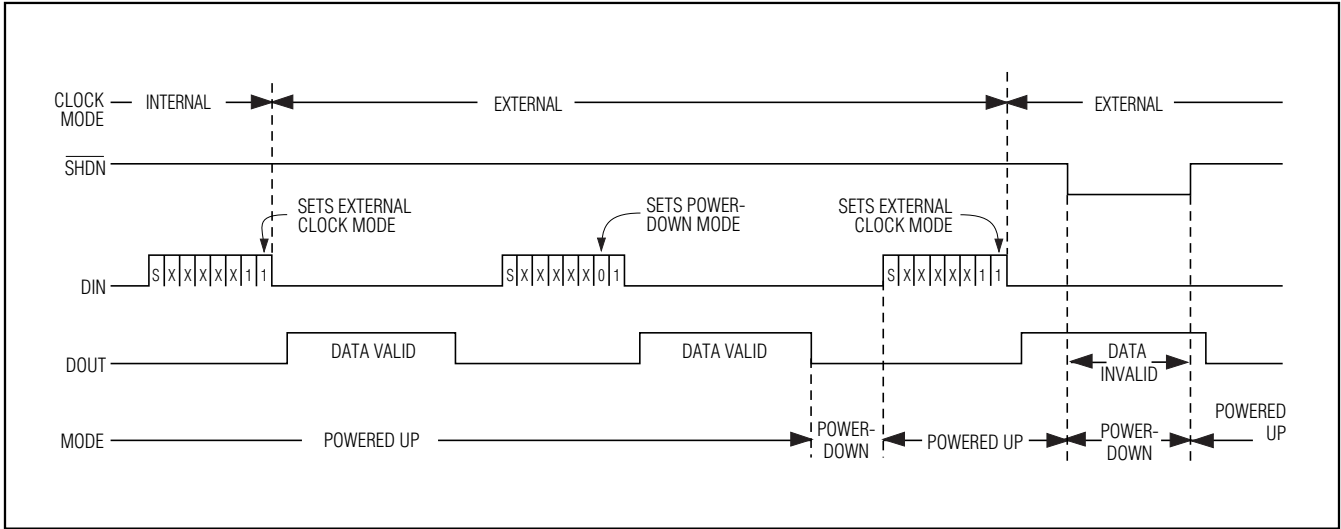


Figure 14a. Power-Down Modes, External Clock Timing Diagram

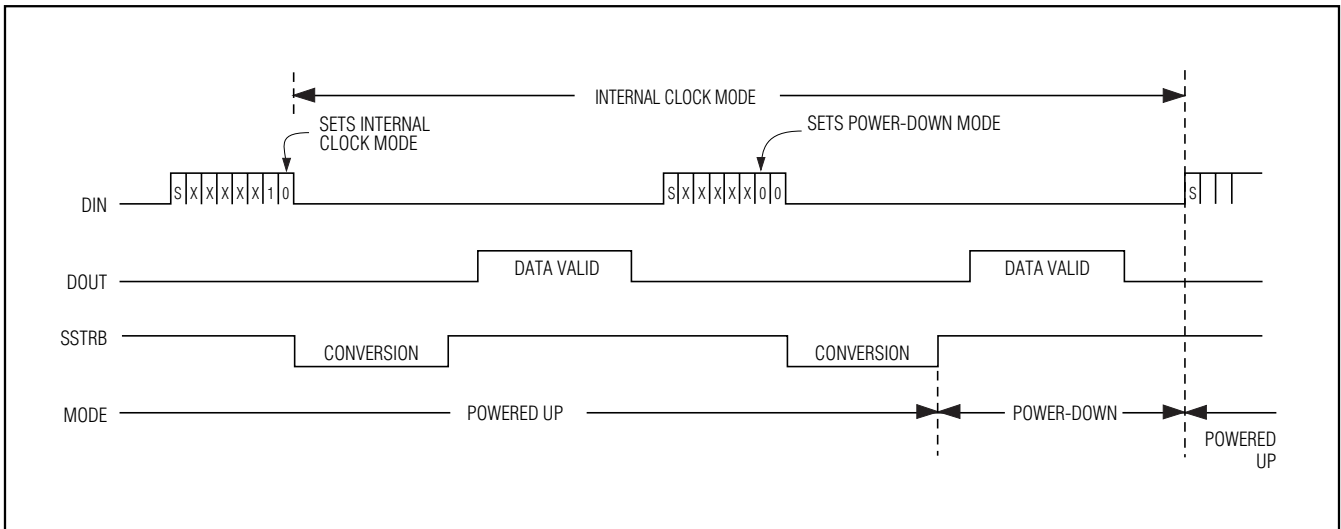


Figure 14b. Power-Down Modes, Internal Clock Timing Diagram

Internal Reference

To use the MAX1112/MAX1113 with the internal reference, connect REFIN to REFOUT. The full-scale range of the MAX1112/MAX1113 with the internal reference is typically 4.096V with unipolar inputs, and $\pm 2.048V$ with bipolar inputs. The internal reference should be bypassed to AGND with a $1\mu F$ capacitor placed as close to the REFIN pin as possible.

Transfer Function

Table 4 shows the full-scale voltage ranges for unipolar and bipolar modes. Figure 15 depicts the nominal, unipolar I/O transfer function, and Figure 16 shows the bipolar I/O transfer function when using a 4.096V reference. Code transitions occur at integer LSB values. Output coding is binary, with $1 \text{ LSB} = 16mV$ ($4.096V/256$) for unipolar operation and $1 \text{ LSB} = 16mV$ [$(4.096V/2 - -4.096V/2)/256$] for bipolar operation.

+5V, Low-Power, Multi-Channel, Serial 8-Bit ADCs

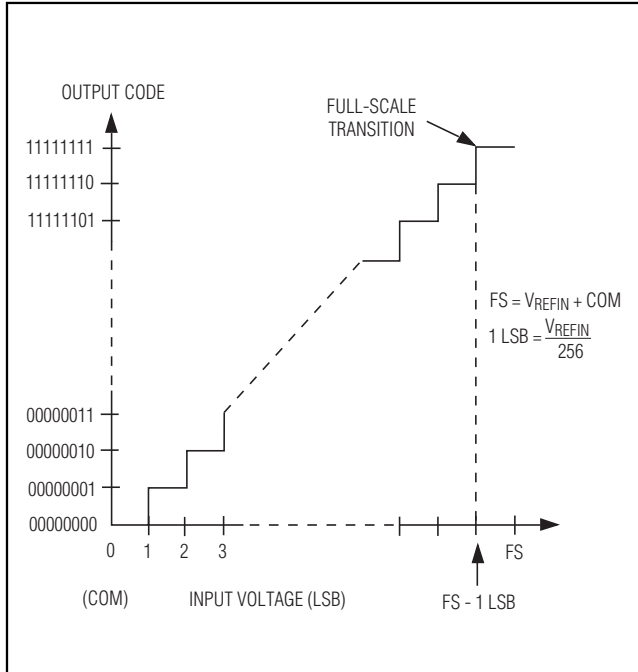


Figure 15. Unipolar Transfer Function

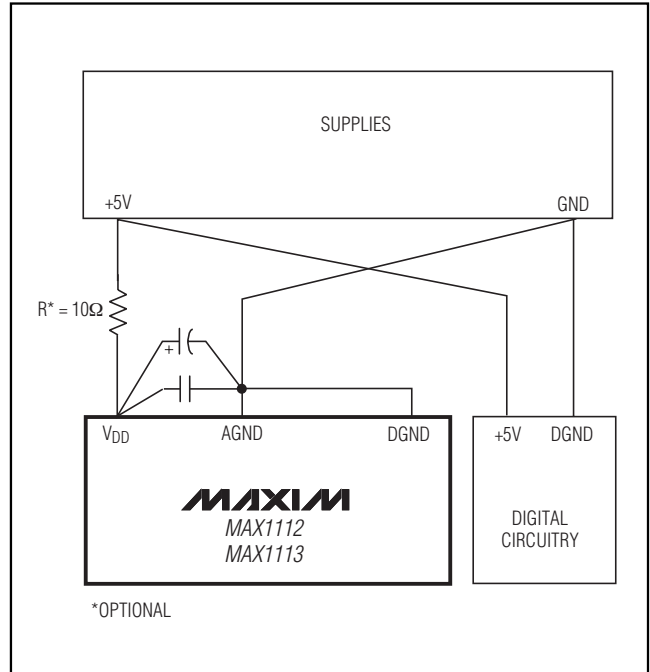


Figure 17. Power-Supply Grounding Connections

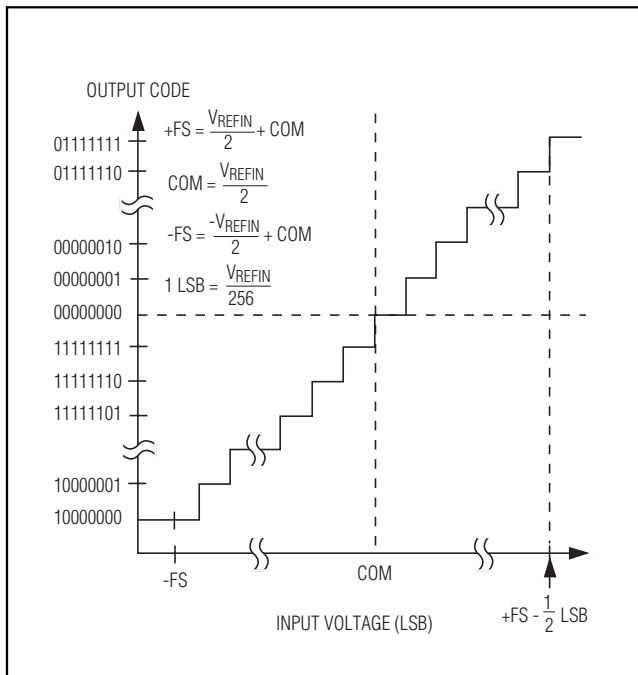


Figure 16. Bipolar Transfer Function

Layout, Grounding, and Bypassing

For best performance, use printed circuit boards. Wire-wrap boards are not recommended. Board layout should ensure that digital and analog signal lines are separated from each other. Do not run analog and digital (especially clock) lines parallel to one another, or digital lines underneath the ADC package.

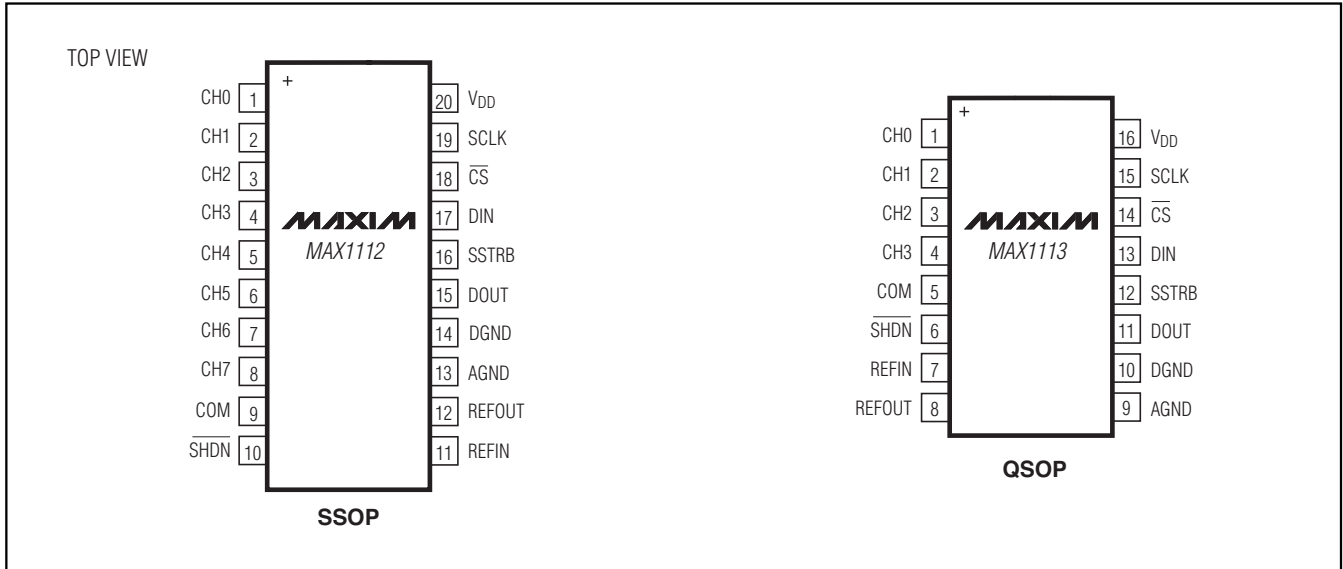
Figure 17 shows the recommended system ground connections. A single-point analog ground (star ground point) should be established at AGND, separate from the logic ground. Connect all other analog grounds and DGND to the star ground. No other digital system ground should be connected to this ground. The ground return to the power supply for the star ground should be low impedance and as short as possible for noise-free operation.

High-frequency noise in the VDD power supply can affect the comparator in the ADC. Bypass the supply to the star ground with 0.1μF and 1μF capacitors close to the VDD pin of the MAX1112/MAX1113. Minimize capacitor lead lengths for best supply-noise rejection. If the 5V power supply is very noisy, a 10Ω resistor can be connected to form a lowpass filter.

+5V, Low-Power, Multi-Channel, Serial 8-Bit ADCs

Pin Configurations

MAX1112/MAX1113



Ordering Information

PART	TEMP RANGE	PIN-PACKAGE
MAX1112CAP+	0°C to +70°C	20 SSOP
MAX1112C/D	0°C to +70°C	Dice*
MAX1112EAP+	-40°C to +85°C	20 SSOP
MAX1113CEE+	0°C to +70°C	16 QSOP
MAX1113EEE+	40°C to +85°C	16 QSOP

+Denotes a lead(Pb)-free/RoHS-compliant package.

*Dice are specified at T_A = +25°C, DC parameters only.

Chip Information

PROCESS:CMOS

SUBSTRATE CONNECTED TO DGND

Package Information

For the latest package outline information and land patterns (footprints), go to www.maxim-ic.com/packages. Note that a "+", "#", or "-" in the package code indicates RoHS status only. Package drawings may show a different suffix character, but the drawing pertains to the package regardless of RoHS status.

PACKAGE TYPE	PACKAGE CODE	OUTLINE NO.	LAND PATTERN NO.
20 SSOP	A20+1	21-0056	90-0094
16 QSOP	E16+1	21-0055	90-0167

+5V, Low-Power, Multi-Channel, Serial 8-Bit ADCs

Revision History

REVISION NUMBER	REVISION DATE	DESCRIPTION	PAGES CHANGED
0	6/97	Initial release	—
2	4/11	Updated <i>General Description, Features, Ordering Information, Absolute Maximum Ratings, Electrical Characteristics, Timing Characteristics, Pin Description, Tables 3 and 4, 5, Power-Down, Software Power-Down, Hard-Wired Power-Down, External Reference and Layout, Grounding, and Bypassing, and Chip Information</i> sections.	1-8, 10, 11, 13, 14, 16, 18, 19

Maxim cannot assume responsibility for use of any circuitry other than circuitry entirely embodied in a Maxim product. No circuit patent licenses are implied. Maxim reserves the right to change the circuitry and specifications without notice at any time.

20 _____ **Maxim Integrated Products, 120 San Gabriel Drive, Sunnyvale, CA 94086 (408) 737-7600**

Looking for pricing, stock, or lifecycle information?

Click below to explore more details on WIN SOURCE:

 [View MAX1113CEE+ on WIN SOURCE](#)

 [Maxim Integrated](#) Information

Optimize Your Supply Chain with WIN SOURCE Solutions

-  Global Sourcing Solution
-  Obsolete Management
-  Cost Control Management
-  Shortage Management
-  Alternative Solution
-  Excess Inventory Management