



**THE DATASHEET OF
MASWSS0202TR-3000**



GaAs Broadband SPDT Switch DC - 6.0 GHz

Rev. V1

Features

- 802.11a + b/g Dual Band Applications
- Broadband Performance: DC - 6.0 GHz
- Low Insertion Loss: 0.75 dB @ 5.8 GHz
- High Isolation: 22 dB @ 5.8 GHz
- Fast Switching Speed: 0.5 μ m GaAs PHEMT
- Lead-Free 3 mm 12-Lead PQFN Package
- 100% Matte Tin Plating over Copper
- Halogen-Free "Green" Mold Compound
- 260°C Reflow Compatible
- RoHS* Compliant Version of MASWSS0070

Description

M/A-COM's MASWSS0202 is a broadband GaAs PHEMT MMIC SPDT switch in a lead-free 3 mm 12-lead PQFN package. The MASWSS0202 is ideally suited for applications where very small size and low cost are required.

Typical applications are for WLAN IEEE 802.11a and 802.11b/g PC cards and access points. Other applications include cordless phones and base stations. Designed for high power, this SPDT switch maintains high linearity up to 6.0 GHz.

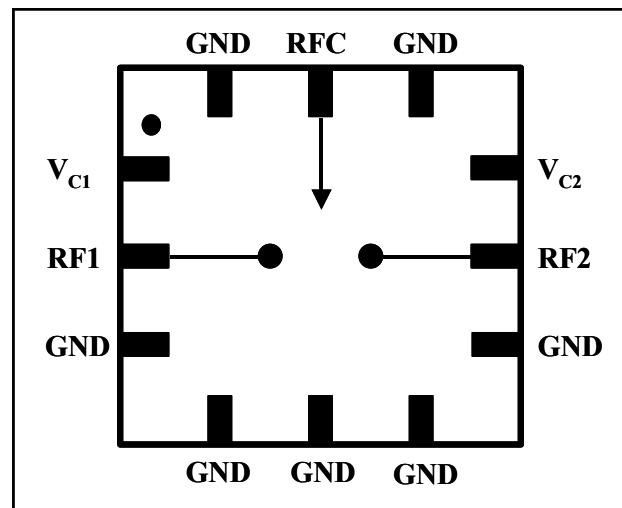
The MASWSS0202 is fabricated using a 0.5 micron gate length GaAs PHEMT process. The process features full passivation for performance and reliability.

Ordering Information ¹

| Part Number | Package |
|-------------------|---|
| MASWSS0202TR-3000 | 3000 piece reel |
| MASWSS0202SMB | Sample Test Board (Includes 5 Samples) |

1. Reference Application Note M513 for reel size information.

Functional Schematic



Pin Configuration ²

| Pin No. | Pin Name | Description |
|---------|---------------------|------------------|
| 1 | V _{c1} | Control 1 |
| 2 | RF1 | RF Port |
| 3 | GND | Ground |
| 4 | GND | Ground |
| 5 | GND | Ground |
| 6 | GND | Ground |
| 7 | GND | Ground |
| 8 | RF2 | RF Port |
| 9 | V _{c2} | Control 2 |
| 10 | GND | Ground |
| 11 | RFC | RF Port |
| 12 | GND | Ground |
| 13 | Paddle ² | RF and DC Ground |

2. The exposed pad centered on the package bottom must be connected to RF and DC ground.

* Restrictions on Hazardous Substances, European Union Directive 2002/95/EC.

GaAs Broadband SPDT Switch DC - 6.0 GHz

Rev. V1

Electrical Specifications: $T_A = 25^\circ\text{C}$, $Z_0 = 50 \Omega$, $V_C = 0 \text{ V} / 3 \text{ V}, 8 \text{ pF Capacitor}^3$

| Parameter | Test Conditions | Units | Min. | Typ. | Max. |
|-----------------------------|---|---------------|------|------|------|
| Insertion Loss ⁴ | 2 - 3 GHz | dB | — | 0.55 | 0.9 |
| | 3 - 4 GHz | dB | — | 0.55 | 0.9 |
| | 4 - 5 GHz | dB | — | 0.65 | 1.0 |
| | 5 - 6 GHz | dB | — | 0.75 | 1.1 |
| Isolation | 2 - 6 GHz | dB | 22 | 25 | — |
| Return Loss | DC - 6 GHz | dB | — | 20 | — |
| IIP2 | Two Tone, +5 dBm / Tone, 5 MHz Spacing | dBm | — | 91 | — |
| | $V_C = 0.0 \text{ V} / 3 \text{ V} @ 2.4 \text{ GHz}$ | dBm | — | 81 | — |
| | $V_C = 0.0 \text{ V} / 3 \text{ V} @ 5.8 \text{ GHz}$ | dBm | — | 99 | — |
| | $V_C = 0.0 \text{ V} / 5 \text{ V} @ 2.4 \text{ GHz}$ | dBm | — | 91 | — |
| IIP3 | Two Tone, +5 dBm / Tone, 5 MHz Spacing | dBm | — | 52 | — |
| | $V_C = 0.0 \text{ V} / 3 \text{ V} @ 2.4 \text{ GHz}$ | dBm | — | 50 | — |
| | $V_C = 0.0 \text{ V} / 3 \text{ V} @ 5.8 \text{ GHz}$ | dBm | — | 53 | — |
| | $V_C = 0.0 \text{ V} / 5 \text{ V} @ 2.4 \text{ GHz}$ | dBm | — | 51 | — |
| Input P-1dB | $V_C = 0.0 \text{ V} / 3 \text{ V} @ 2.4 \text{ GHz}$ | dBm | — | 32 | — |
| | $V_C = 0.0 \text{ V} / 3 \text{ V} @ 5.8 \text{ GHz}$ | dBm | — | 29 | — |
| | $V_C = 0.0 \text{ V} / 5 \text{ V} @ 2.4 \text{ GHz}$ | dBm | — | 37 | — |
| | $V_C = 0.0 \text{ V} / 5 \text{ V} @ 5.8 \text{ GHz}$ | dBm | — | 35 | — |
| 2nd Harmonic | 2.4 GHz, $P_{IN} = +20 \text{ dBm}$ | dBc | — | -88 | — |
| | 5.3 GHz, $P_{IN} = +20 \text{ dBm}$ | dBc | — | -91 | — |
| | 5.8 GHz, $P_{IN} = +20 \text{ dBm}$ | dBc | — | -77 | — |
| 3rd Harmonic | 2.4 GHz, $P_{IN} = +20 \text{ dBm}$ | dBc | — | -87 | — |
| | 5.3 GHz, $P_{IN} = +20 \text{ dBm}$ | dBc | — | -81 | — |
| | 5.8 GHz, $P_{IN} = +20 \text{ dBm}$ | dBc | — | -85 | — |
| T-rise, T-fall | 10% to 90% RF and 90% to 10% RF | nS | — | 13 | — |
| Ton, Toff | 50% control to 90% RF, 50% control to 10% RF | nS | — | 35 | — |
| Transients | — | mV | — | 14 | — |
| Control Current | $ V_C = 3 \text{ V}$ | μA | — | 10 | 25 |

3. For positive voltage control, external DC blocking capacitors are required on all RF ports.

4. Insertion loss can be optimized by varying the DC blocking capacitor value.

Truth Table ⁵

| Control V1 | Control V2 | RFC—RF1 | RFC—RF2 |
|------------|------------|---------|---------|
| 1 | 0 | On | Off |
| 0 | 1 | Off | On |

5. 1 = +2.9 V to +5 V, 0 = 0 V \pm 0.2 V.

Absolute Maximum Ratings ^{6,7}

| Parameter | Absolute Maximum |
|---------------------------|------------------|
| Input Power @ 3 V Control | +32 dBm |
| Input Power @ 5 V Control | +34 dBm |
| Operating Voltage | +8.5 volts |
| Operating Temperature | -40°C to +85°C |
| Storage Temperature | -65°C to +150°C |

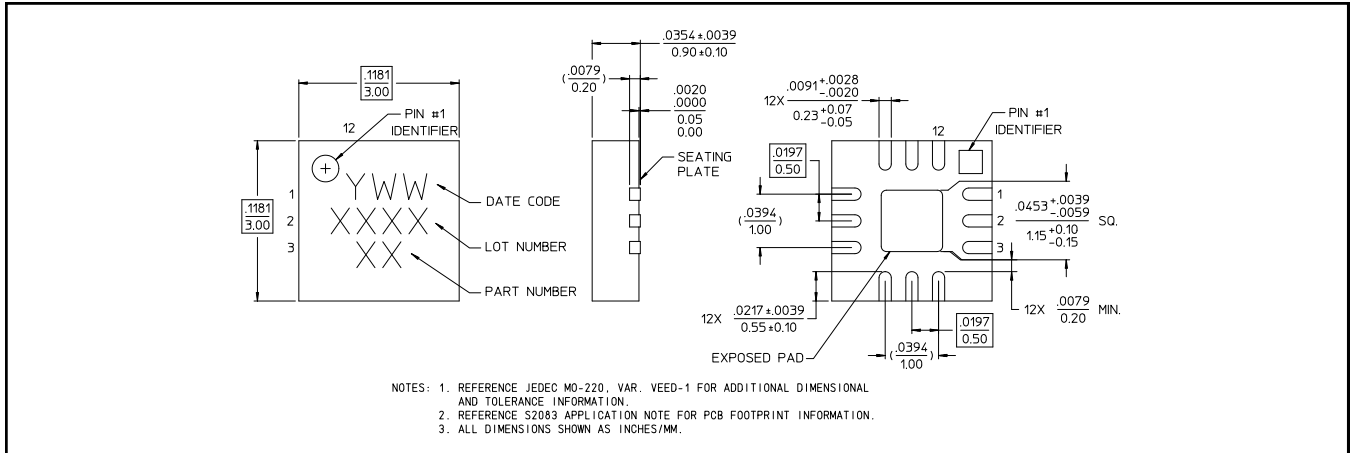
6. Exceeding any one or combination of these limits may cause permanent damage to this device.

7. M/A-COM does not recommend sustained operation near these survivability limits.

GaAs Broadband SPDT Switch DC - 6.0 GHz

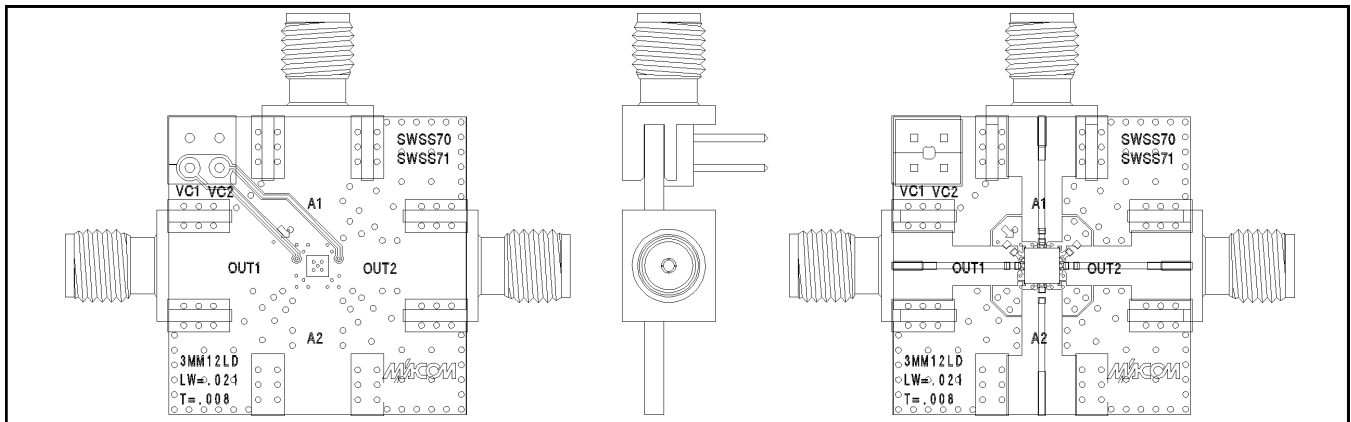
Rev. V1

Lead-Free 3 mm 12-Lead PQFN†

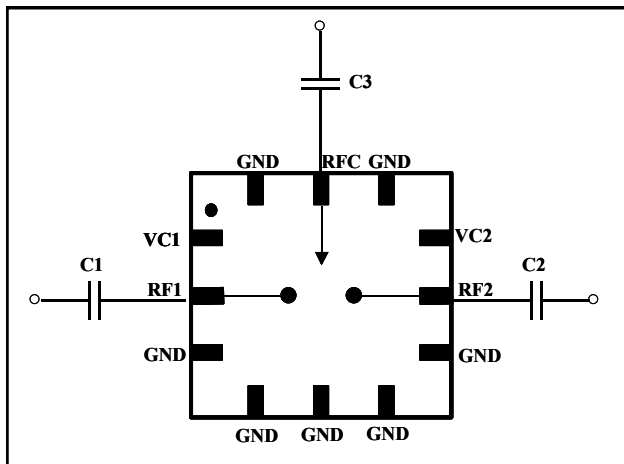


† Reference Application Note M538 for lead-free solder reflow recommendations.

Evaluation Board



Application Schematic



Application #1: Optimized for 802.11a (5-6 GHz)

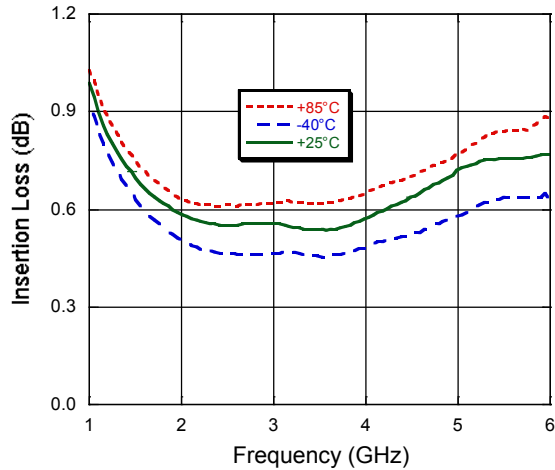
| Qty. | Description |
|------|--|
| 3 | Capacitor, 3.0 pF, 0402, SMT, 5% (C1-C3) |

Application #2: Optimized for 802.11b/g (2.4 GHz)

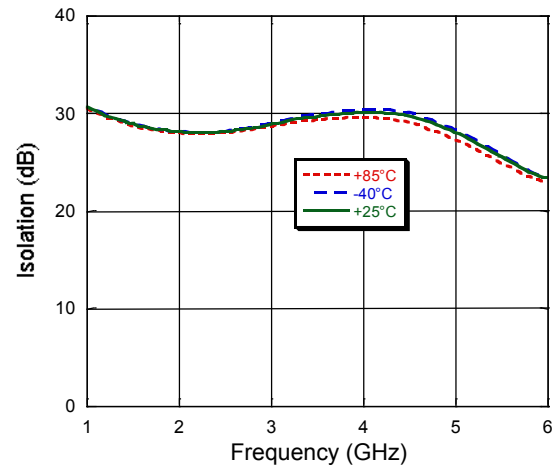
| Qty. | Description |
|------|--|
| 3 | Capacitor, 8.0 pF, 0402, SMT, 5% (C1-C3) |

Typical Performance Curves with 0 / 3 V Control, 8 pF Capacitors

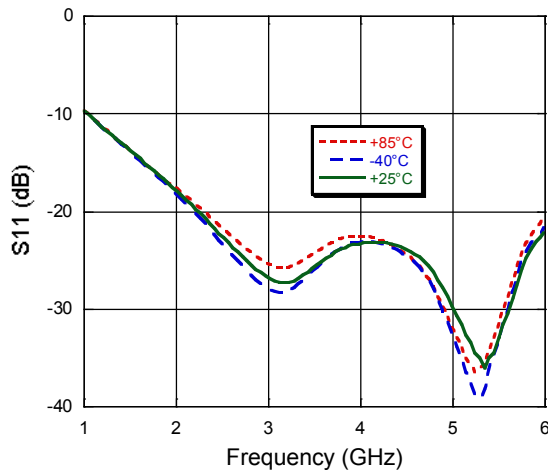
Insertion Loss



Isolation



Return Loss



Qualification

Qualified to M/A-COM specification REL-201, Process Flow -2.

Handling Procedures

Please observe the following precautions to avoid damage:

Static Sensitivity

Gallium Arsenide Integrated Circuits are sensitive to electrostatic discharge (ESD) and can be damaged by static electricity. Proper ESD control techniques should be used when handling these devices.

M/A-COM Technology Solutions Inc. All rights reserved.

Information in this document is provided in connection with M/A-COM Technology Solutions Inc ("MACOM") products. These materials are provided by MACOM as a service to its customers and may be used for informational purposes only. Except as provided in MACOM's Terms and Conditions of Sale for such products or in any separate agreement related to this document, MACOM assumes no liability whatsoever. MACOM assumes no responsibility for errors or omissions in these materials. MACOM may make changes to specifications and product descriptions at any time, without notice. MACOM makes no commitment to update the information and shall have no responsibility whatsoever for conflicts or incompatibilities arising from future changes to its specifications and product descriptions. No license, express or implied, by estoppel or otherwise, to any intellectual property rights is granted by this document.

THESE MATERIALS ARE PROVIDED "AS IS" WITHOUT WARRANTY OF ANY KIND, EITHER EXPRESS OR IMPLIED, RELATING TO SALE AND/OR USE OF MACOM PRODUCTS INCLUDING LIABILITY OR WARRANTIES RELATING TO FITNESS FOR A PARTICULAR PURPOSE, CONSEQUENTIAL OR INCIDENTAL DAMAGES, MERCHANTABILITY, OR INFRINGEMENT OF ANY PATENT, COPYRIGHT OR OTHER INTELLECTUAL PROPERTY RIGHT. MACOM FURTHER DOES NOT WARRANT THE ACCURACY OR COMPLETENESS OF THE INFORMATION, TEXT, GRAPHICS OR OTHER ITEMS CONTAINED WITHIN THESE MATERIALS. MACOM SHALL NOT BE LIABLE FOR ANY SPECIAL, INDIRECT, INCIDENTAL, OR CONSEQUENTIAL DAMAGES, INCLUDING WITHOUT LIMITATION, LOST REVENUES OR LOST PROFITS, WHICH MAY RESULT FROM THE USE OF THESE MATERIALS.

MACOM products are not intended for use in medical, lifesaving or life sustaining applications. MACOM customers using or selling MACOM products for use in such applications do so at their own risk and agree to fully indemnify MACOM for any damages resulting from such improper use or sale.

Looking for pricing, stock, or lifecycle information?

Click below to explore more details on WIN SOURCE:

- ⊖ [View MASWSS0202TR-3000 on WIN SOURCE](#)
- ⊖ [M/A-Com Technology Solutions Information](#)

Optimize Your Supply Chain with WIN SOURCE Solutions

- ✓ Global Sourcing Solution
- ✓ Obsolete Management
- ✓ Cost Control Management
- ✓ Shortage Management
- ✓ Alternative Solution
- ✓ Excess Inventory Management