



**THE DATASHEET OF
M957A**



DESCRIPTION

The LCD provides a large, .98", 3-1/2 digit black, green, red or blue display. The LED provides a large, .8", 3-1/2 digit, green or red display.

LCD FEATURES

- Decimal point user selectable
- Eng. units user selectable
- Snap-in panel mounting
- Large .98" digits for easy viewing

LED FEATURES

- Decimal point user selectable
- Snap-in panel mounting
- Large .8" digits for easy viewing

ALL MODELS

- Gasket and clamp provided for optional NEMA applications



Specifications:

Display:		
Digits:	3 1/2 Digits (±1999 counts)	
Type:	0.98" (24.9 mm) LCD	
	0.8" (20.3 mm) LED	
Polarity:	Automatic, "-" Displayed.	
Decimal Points:	3 Position, User Selectable	
Overload:	Three lower order digits blank for inputs >1999 & <-1999	
Hold:	Display Hold Function is Standard	
Annunciators:	PSI, PSI, °F, °C, % (user selected, LCD only)	
Inputs:		
Ranges:	±200.0mV, +/-2.000V, +/-20.00V DC, 4-20mA	
Configuration:	Bipolar, Differential	
Protection:	±350V DC, (±100V DC on 200mV Range)	
Impedance:	>1 Megohm, (>10 Megohm on 200mV Range)	
Performance:		
Accuracy:	±(0.05% FS +1 counts)	
Conversion Rate:	3 per Second	
Normal Mode Rejection:	>30 db @ 60 Hz	
Common Mode Range:	±1V DC	
Common Mode Rej.:	>86 dB	
Zero Adjustment:	Automatic	
Warmup:	10 Minutes Typical	
Temperature Coeff.:	±100 ppm per °C Typical	
Environment:		
Operating Range:	-10 to 50 °C	
Storage Range:	-40 to 75 °C	
Power Supply:		
Voltage input units:	+5V DC (180mA LED, 3mA LCD)	
DK807:	powered by mA control loop	
DK757,DK857,DK957:	+24V DC (40mA)	
Mounting:		
	Snap-In Panel Mount	
Connection:		
	4 screw terminal (4-20mA)	
	13 pin male connection (voltage)	
	13 pin connector/wiring harness included	

ORDERING INFORMATION

MODEL	DESCRIPTION
DK757B	4-20mA loop powered LCD, 24V BLUE NEG. B/L
DK801A	200mV input LCD
DK802A	2V input LCD
DK803A	20V input LCD
DK807A	4-20mA loop powered LCD
DK851A	200mV input - RED LED
DK852A	2V input - RED LED
DK853A	20V input - RED LED
DK857B	4-20mA loop powered LCD, 24V RED NEG. B/L
DK857A	4-20mA loop controlled - RED LED
DK951A	200mV input - GREEN LED
DK952A	2V input - GREEN LED
DK953A	20V input - GREEN LED
DK957A	4-20mA loop controlled - GREEN LED
DK957B	4-20mA loop powered LCD, 24V GREEN NEG. B/L

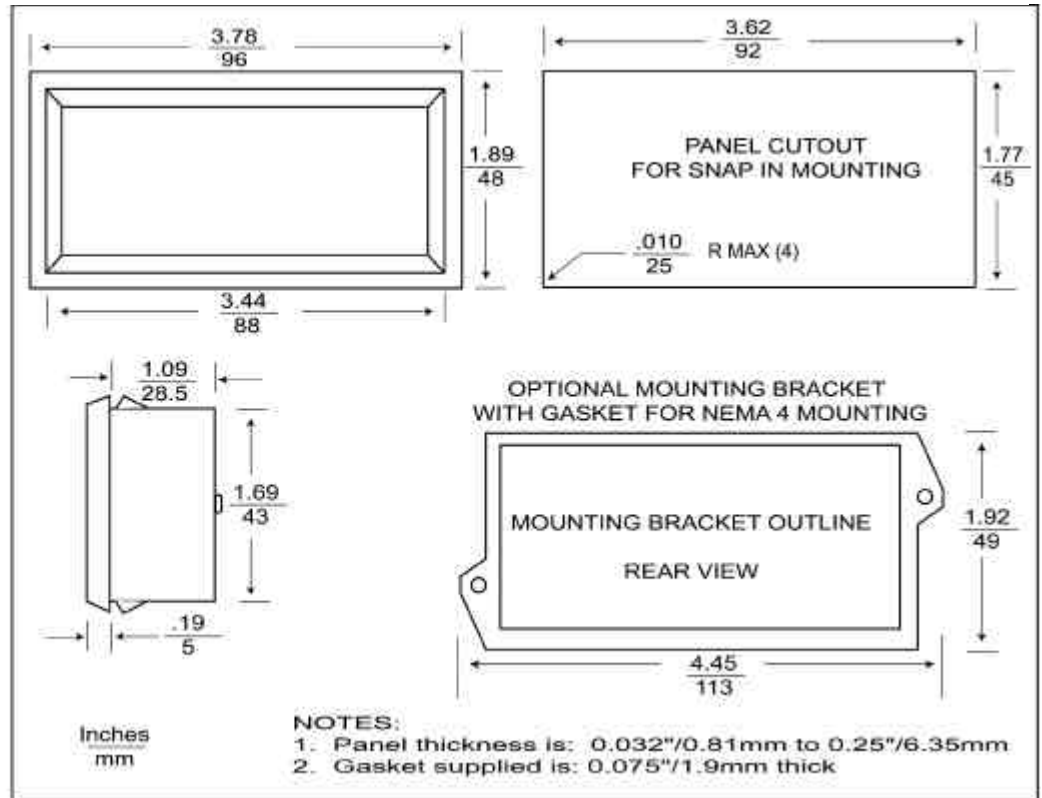


Cutout

WIRING

Pin	Description
1	+5V
2	Neg. Supply
3	INH
4	INLO
5	Dec. common
6	Dec. 000.0 when connected to decimal common
7	Dec. 00.00 when connected to decimal common
8	Dec. 0.000 when connected to decimal common
9	No connection
10	No connection
11	Signal Hold when connected to decimal common (LED) or +5V (LCD)
12	No connection
13	No connection

*Note: Pins 2 & 4 should be tied together for proper operation



4 - 20mA Wiring

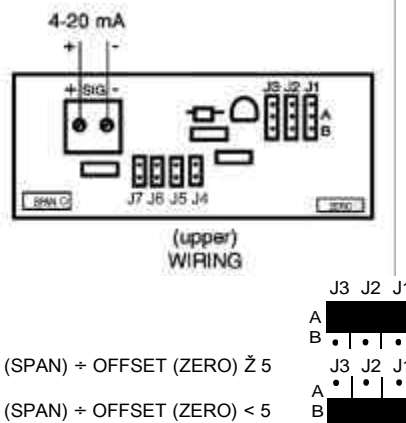
DK807

1. DECIMAL SELECTION:

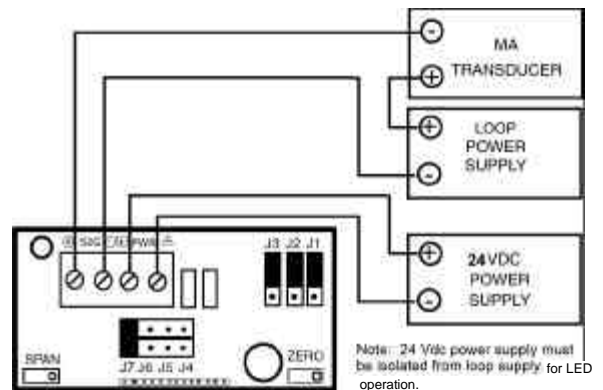
1999	• • •
199.9	■ • •
19.99	• ■ •
1.999	• • ■
	J6 J5 J4

2. J1, J2, J3 SELECTION:

- IF:** OFFSET (ZERO) IS • 0 *or*
 OFFSET (ZERO) > 0 *and* GAIN (SPAN) ÷ OFFSET (ZERO) ≥ 5
- IF:** OFFSET (ZERO) > 0 *and* GAIN (SPAN) ÷ OFFSET (ZERO) < 5




DK757B, DK857A, DK857B, DK957A, DK957B



Looking for pricing, stock, or lifecycle information?

Click below to explore more details on WIN SOURCE:

-  [View M957A on WIN SOURCE](#)
-  [Renesas Electronics America](#) Information

Optimize Your Supply Chain with WIN SOURCE Solutions

-  Global Sourcing Solution
-  Obsolete Management
-  Cost Control Management
-  Shortage Management
-  Alternative Solution
-  Excess Inventory Management