



**THE DATASHEET OF
M50FW016N5G**





M50FW016

16 Mbit (2Mb x8, Uniform Block) 3V Supply Firmware Hub Flash Memory

PRELIMINARY DATA

FEATURES SUMMARY

- **SUPPLY VOLTAGE**
 - $V_{CC} = 3\text{ V to }3.6\text{ V}$ for Program, Erase and Read Operations
 - $V_{PP} = 12\text{ V}$ for Fast Program and Fast Erase
- **TWO INTERFACES**
 - Firmware Hub (FWH) Interface for embedded operation with PC Chipsets
 - Address/Address Multiplexed (A/A Mux) Interface for programming equipment compatibility
- **FIRMWARE HUB (FWH) HARDWARE INTERFACE MODE**
 - 5 Signal Communication Interface supporting Read and Write Operations
 - Hardware Write Protect Pins for Block Protection
 - Register Based Read and Write Protection
 - 5 Additional General Purpose Inputs for platform design flexibility
 - Multi-byte Read Operation (4/16/128-byte)
 - Synchronized with 33 MHz PCI clock
- **BYTE PROGRAMMING TIME**
 - Single Byte Mode: $10\mu\text{s}$ (typical)
 - Quadruple Byte Mode: $2.5\mu\text{s}$ (typical)
- **32 UNIFORM 64 Kbyte MEMORY BLOCKS**
- **PROGRAM and ERASE SUSPEND**
 - Read other Blocks during Program/Erase Suspend
 - Program other Blocks during Erase Suspend
- **FOR USE in PC BIOS APPLICATIONS**
- **ELECTRONIC SIGNATURE**
 - Manufacturer Code: 20h
 - Device Code: 2Eh

Figure 1. Package

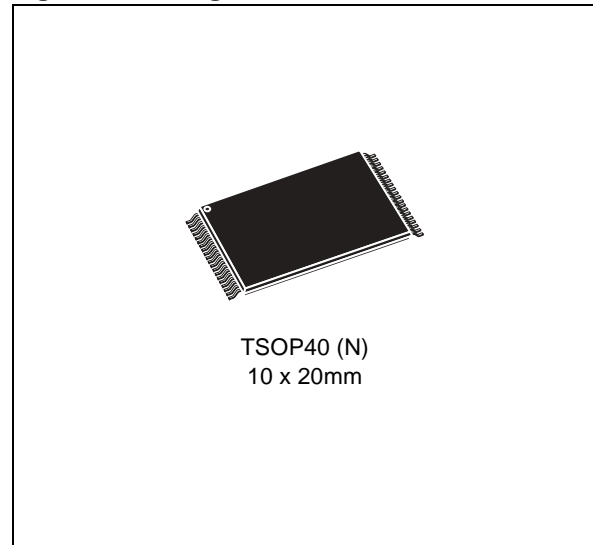


TABLE OF CONTENTS

FEATURES SUMMARY	1
Figure 1. Package	1
SUMMARY DESCRIPTION	6
Figure 2. Logic Diagram (FWH Interface)	6
Table 1. Signal Names (FWH Interface)	6
Figure 3. Logic Diagram (A/A Mux Interface)	7
Table 2. Signal Names (A/A Mux Interface)	7
Figure 4. TSOP Connections	7
SIGNAL DESCRIPTIONS	8
Firmware Hub (FWH) Signal Descriptions	8
Input/Output Communications (FWH0-FWH3)	8
Input Communication Frame (FWH4)	8
Identification Inputs (ID0-ID3)	8
General Purpose Inputs (FGPI0-FGPI4)	8
Interface Configuration (IC)	8
Interface Reset (\overline{RP})	8
CPU Reset (\overline{INIT})	8
Clock (CLK)	8
Top Block Lock (TBL)	8
Write Protect (\overline{WP})	8
Reserved for Future Use (RFU)	9
Address/Address Multiplexed (A/A Mux) Signal Descriptions	9
Address Inputs (A0-A10)	9
Data Inputs/Outputs (DQ0-DQ7)	9
Output Enable (\overline{G})	9
Write Enable (\overline{W})	9
Row/Column Address Select (\overline{RC})	9
Ready/Busy Output (\overline{RB})	9
Supply Signal Descriptions	9
V _{CC} Supply Voltage	9
V _{PP} Optional Supply Voltage	9
V _{SS} Ground	9
Table 3. Block Addresses	10
BUS OPERATIONS	11
Firmware Hub (FWH) Bus Operations	11
Bus Read	11
FWH Bus Write	11
Bus Abort	11
Standby	11
Reset	11

Block Protection.	11
Address/Address Multiplexed (A/A Mux) Bus Operations.	11
Bus Read.	12
Bus Write.	12
Output Disable.	12
Reset.	12
Table 4. FWH Bus Read Field Definitions.	13
Figure 5. FWH Bus Read Waveforms (Single Byte Read)	13
Table 5. FWH Bus Write Field Definitions (Single Byte)	14
Figure 6. FWH Bus Write Waveforms (Single Byte)	14
Table 6. FWH Bus Write Field Definitions (Quadruple Byte Program)	15
Figure 7. FWH Bus Write Waveforms (Quadruple Byte Program)	15
Table 7. A/A Mux Bus Operations	16
Table 8. Manufacturer and Device Codes	16
COMMAND INTERFACE	17
Read Memory Array Command.	17
Read Status Register Command.	17
Read Electronic Signature Command	17
Program Command	17
Quadruple Byte Program Command (A/A Mux Mode).	17
Quadruple Byte Program Command (FWH Mode).	17
Chip Erase Command.	18
Block Erase Command	18
Clear Status Register Command.	18
Program/Erase Suspend Command	18
Program/Erase Resume Command	19
Table 9. Read Electronic Signature.	19
Table 10. Commands	19
STATUS REGISTER	20
Program/Erase Controller Status (Bit 7)	20
Erase Suspend Status (Bit 6)	20
Erase Status (Bit 5)	20
Program Status (Bit 4).	20
V _{PP} Status (Bit 3).	20
Program Suspend Status (Bit 2)	21
Block Protection Status (Bit 1).	21
Reserved (Bit 0).	21
Table 11. Status Register Bits	21
FIRMWARE HUB (FWH) INTERFACE CONFIGURATION REGISTERS	22
Lock Registers.	22
Write Lock	22
Read Lock	22
Lock Down.	22

Firmware Hub (FWH) General Purpose Input Register	22
Manufacturer Code Register	22
Device Code Register	22
Multi-Byte Read/Write Configuration Registers	22
Table 12. Firmware Hub Register Configuration Map	23
Table 13. Lock Register Bit Definitions	24
Table 14. General Purpose Input Register Definition	24
PROGRAM AND ERASE TIMES	25
Table 15. Program and Erase Times	25
MAXIMUM RATING	26
Table 16. Absolute Maximum Ratings	26
DC AND AC PARAMETERS	27
Table 17. Operating Conditions	27
Table 18. FWH Interface AC Measurement Conditions	27
Table 19. A/A Mux Interface AC Measurement Conditions	27
Figure 8. FWH Interface AC Testing Input Output Waveforms	27
Figure 9. A/A Mux Interface AC Testing Input Output Waveform	28
Table 20. Impedance	28
Table 21. DC Characteristics	29
Figure 10. FWH Interface Clock Waveform	30
Table 22. FWH Interface Clock Characteristics	30
Figure 11. FWH Interface AC Signal Timing Waveforms	31
Table 23. FWH Interface AC Signal Timing Characteristics	31
Figure 12. Reset AC Waveforms	32
Table 24. Reset AC Characteristics	32
Figure 13. A/A Mux Interface Read AC Waveforms	33
Table 25. A/A Mux Interface Read AC Characteristics	33
Figure 14. A/A Mux Interface Write AC Waveforms	34
Table 26. A/A Mux Interface Write AC Characteristics	34
PACKAGE MECHANICAL	35
Figure 15. TSOP40 – 40 lead Plastic Thin Small Outline, 10x20 mm, Package Outline	35
Table 27. TSOP40 – 40 lead Plastic Thin Small Outline, 10x20 mm, Package Mechanical Data ..	35
PART NUMBERING	36
Table 28. Ordering Information Scheme	36
APPENDIX A. FLOWCHARTS AND PSEUDO CODES	37
Figure 16. Program Flowchart and Pseudo Code	37
Figure 17. Quadruple Byte Program Flowchart and Pseudo Code (A/A Mux Interface Only)	38
Figure 18. Quadruple Byte Program Flowchart and Pseudo Code (FWH Interface Only)	39
Figure 19. Program Suspend and Resume Flowchart, and Pseudo Code	40

Figure 20. Chip Erase Flowchart and Pseudo Code (A/A Mux Interface Only) 41

Figure 21. Block Erase Flowchart and Pseudo Code 42

Figure 22. Erase Suspend and Resume Flowchart, and Pseudo Code 43

REVISION HISTORY **44**

Table 29. Document Revision History 44

SUMMARY DESCRIPTION

The M50FW016 is a 16 Mbit (2Mb x8) non-volatile memory that can be read, erased and reprogrammed. These operations can be performed using a single low voltage (3.0 to 3.6V) supply. For fast programming and fast erasing, an optional 12V power supply can be used to reduce the programming and the erasing times.

The memory is divided into blocks that can be erased independently so it is possible to preserve valid data while old data is erased. Blocks can be protected individually to prevent accidental Program or Erase commands from modifying the memory. Program and Erase commands are written to the Command Interface of the memory. An on-chip Program/Erase Controller simplifies the process of programming or erasing the memory by taking care of all of the special operations that are required to update the memory contents. The end of a program or erase operation

can be detected and any error conditions identified. The command set required to control the memory is consistent with JEDEC standards.

Two different bus interfaces are supported by the memory. The primary interface, the Firmware Hub (or FWH) Interface, uses Intel's proprietary FWH protocol. This has been designed to remove the need for the ISA bus in current PC Chipsets; the M50FW016 acts as the PC BIOS on the Low Pin Count bus for these PC Chipsets.

The secondary interface, the Address/Address Multiplexed (or A/A Mux) Interface, is designed to be compatible with current Flash Programmers for production line programming prior to fitting to a PC Motherboard.

The memory is offered in TSOP40 (10 x 20mm) package and it is supplied with all the bits erased (set to '1').

Figure 2. Logic Diagram (FWH Interface)

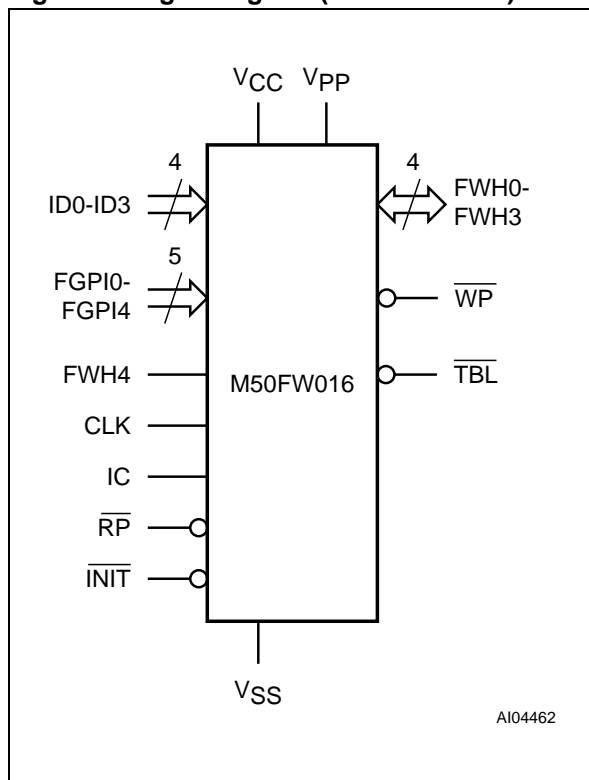


Table 1. Signal Names (FWH Interface)

FWH0-FWH3	Input/Output Communications
FWH4	Input Communication Frame
ID0-ID3	Identification Inputs
FGPI0-FGPI4	General Purpose Inputs
IC	Interface Configuration
\overline{RP}	Interface Reset
\overline{INIT}	CPU Reset
CLK	Clock
\overline{TBL}	Top Block Lock
\overline{WP}	Write Protect
RFU	Reserved for Future Use. Leave disconnected.
V _{CC}	Supply Voltage
V _{PP}	Optional Supply Voltage for Fast Program and Fast Erase Operations
V _{SS}	Ground
NC	Not Connected Internally
RFU	Reserved for Future Use

Figure 3. Logic Diagram (A/A Mux Interface)

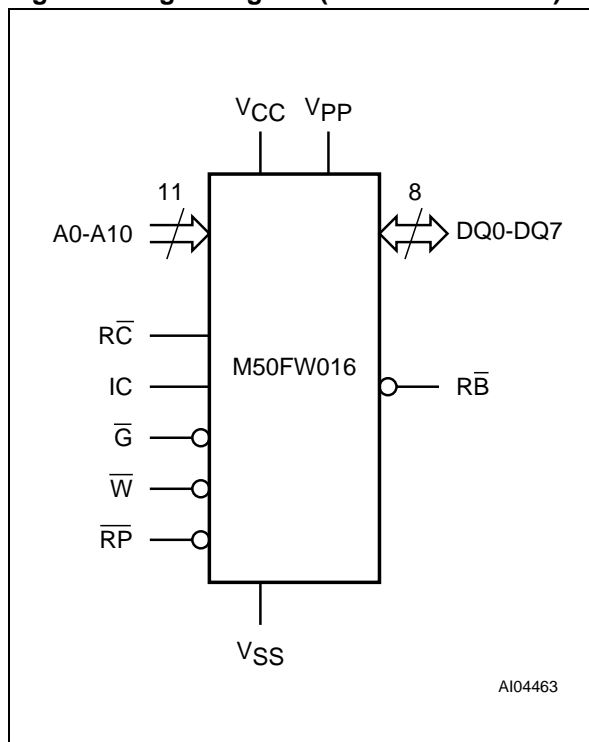
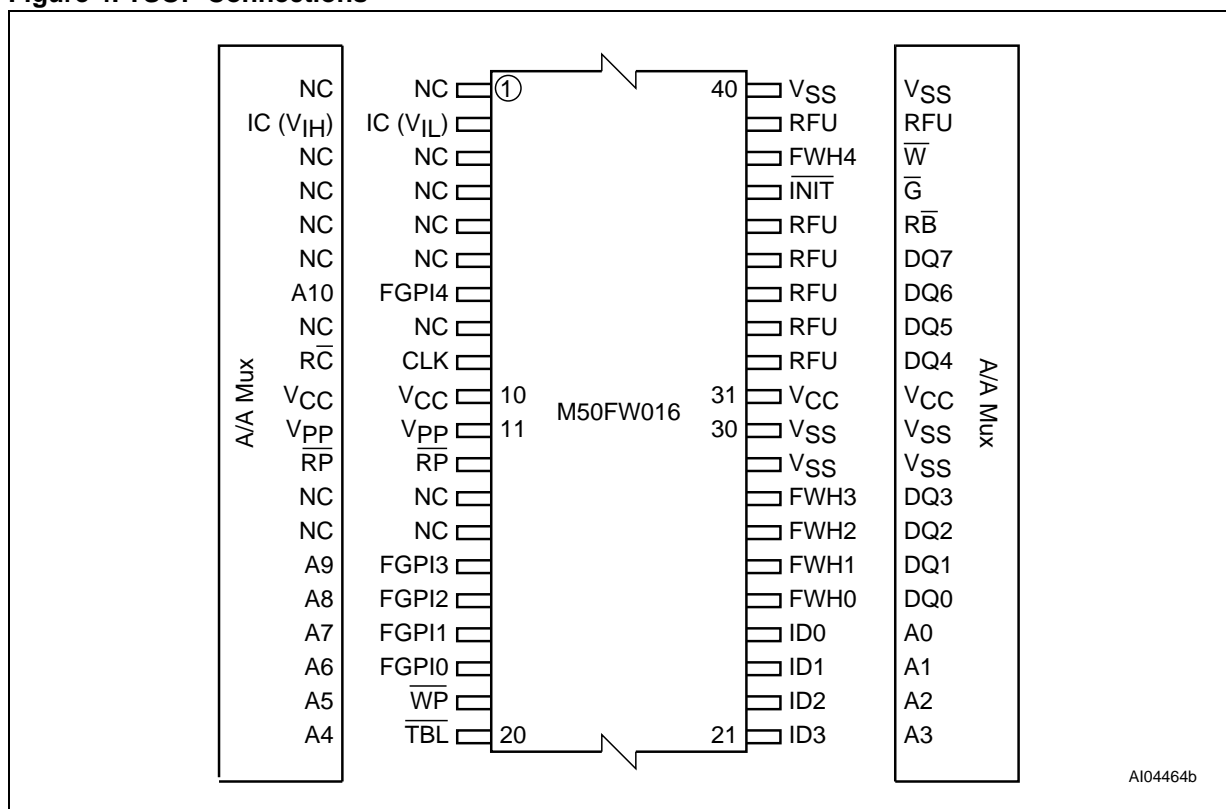


Table 2. Signal Names (A/A Mux Interface)

IC	Interface Configuration
A0-A10	Address Inputs
DQ0-DQ7	Data Inputs/Outputs
\bar{G}	Output Enable
\bar{W}	Write Enable
\bar{RC}	Row/Column Address Select
\bar{RB}	Ready/Busy Output
\bar{RP}	Interface Reset
VCC	Supply Voltage
VPP	Optional Supply Voltage for Fast Program and Fast Erase Operations
VSS	Ground
NC	Not Connected Internally
RFU	Reserved for Future Use

Figure 4. TSOP Connections



SIGNAL DESCRIPTIONS

There are two different bus interfaces available on this part. The active interface is selected before power-up or during Reset using the Interface Configuration Pin, IC.

The signals for each interface are discussed in the [Firmware Hub \(FWH\) Signal Descriptions](#) section and the [Address/Address Multiplexed \(A/A Mux\) Signal Descriptions](#) section below. The supply signals are discussed in the [Supply Signal Descriptions](#) section below.

Firmware Hub (FWH) Signal Descriptions

For the Firmware Hub (FWH) Interface see [Figure 2., Logic Diagram \(FWH Interface\)](#), and [Table 1., Signal Names \(FWH Interface\)](#).

Input/Output Communications (FWH0-FWH3). All Input and Output Communication with the memory take place on these pins. Addresses and Data for Bus Read and Bus Write operations are encoded on these pins.

Input Communication Frame (FWH4). The Input Communication Frame (FWH4) signals the start of a bus operation. When Input Communication Frame is Low, V_{IL} , on the rising edge of the Clock a new bus operation is initiated. If Input Communication Frame is Low, V_{IL} , during a bus operation then the operation is aborted. When Input Communication Frame is High, V_{IH} , the current bus operation is proceeding or the bus is idle.

Identification Inputs (ID0-ID3). The Identification Inputs select the address that the memory responds to. Up to 16 memories can be addressed on a bus. For an address bit to be '0' the pin can be left floating or driven Low, V_{IL} ; an internal pull-down resistor is included with a value of R_{IL} . For an address bit to be '1' the pin must be driven High, V_{IH} ; there will be a leakage current of I_{L12} through each pin when pulled to V_{IH} ; see [Table 21](#).

By convention the boot memory must have address '0000' and all additional memories take sequential addresses starting from '0001'.

By convention the boot memory must have ID0-ID3 pins left floating or driven Low, V_{IL} and a '1' value on A21, A23-A25 and all additional memories take sequential ID0-ID3 configuration.

General Purpose Inputs (FGPI0-FGPI4). The General Purpose Inputs can be used as digital inputs for the CPU to read. The General Purpose Input Register holds the values on these pins. The pins must have stable data from before the start of the cycle that reads the General Purpose Input Register until after the cycle is complete. These pins must not be left to float, they should be driven Low, V_{IL} , or High, V_{IH} .

Interface Configuration (IC). The Interface Configuration input selects whether the Firmware Hub (FWH) or the Address/Address Multiplexed (A/A Mux) Interface is used. The chosen interface must be selected before power-up or during a Reset and, thereafter, cannot be changed. The state of the Interface Configuration, IC, should not be changed during operation.

To select the Firmware Hub (FWH) Interface the Interface Configuration pin should be left to float or driven Low, V_{IL} ; to select the Address/Address Multiplexed (A/A Mux) Interface the pin should be driven High, V_{IH} . An internal pull-down resistor is included with a value of R_{IL} ; there will be a leakage current of I_{L12} through each pin when pulled to V_{IH} ; see [Table 21](#).

Interface Reset (RP). The Interface Reset (\overline{RP}) input is used to reset the memory. When Interface Reset (\overline{RP}) is set Low, V_{IL} , the memory is in Reset mode: the outputs are put to high impedance and the current consumption is minimized. When RP is set High, V_{IH} , the memory is in normal operation. After exiting Reset mode, the memory enters Read mode.

CPU Reset (INIT). The CPU Reset, \overline{INIT} , pin is used to Reset the memory when the CPU is reset. It behaves identically to Interface Reset, RP, and the internal Reset line is the logical OR (electrical AND) of RP and INIT.

Clock (CLK). The Clock, CLK, input is used to clock the signals in and out of the Input/Output Communication Pins, FWH0-FWH3. The Clock conforms to the PCI specification.

Top Block Lock (TBL). The Top Block Lock input is used to prevent the Top Block (Block 31) from being changed. When Top Block Lock, TBL, is set Low, V_{IL} , Program and Block Erase operations in the Top Block have no effect, regardless of the state of the Lock Register. When Top Block Lock, TBL, is set High, V_{IH} , the protection of the Block is determined by the Lock Register. The state of Top Block Lock, TBL, does not affect the protection of the Main Blocks (Blocks 0 to 30).

Top Block Lock, \overline{TBL} , must be set prior to a Program or Block Erase operation is initiated and must not be changed until the operation completes or unpredictable results may occur. Care should be taken to avoid unpredictable behavior by changing TBL during Program or Erase Suspend.

Write Protect (WP). The Write Protect input is used to prevent the Main Blocks (Blocks 0 to 30) from being changed. When Write Protect, WP, is set Low, V_{IL} , Program and Block Erase operations in the Main Blocks have no effect, regardless of the state of the Lock Register. When Write Protect,

\overline{WP} , is set High, V_{IH} , the protection of the Block determined by the Lock Register. The state of Write Protect, \overline{WP} , does not affect the protection of the Top Block (Block 31).

Write Protect, \overline{WP} , must be set prior to a Program or Block Erase operation is initiated and must not be changed until the operation completes or unpredictable results may occur. Care should be taken to avoid unpredictable behavior by changing \overline{WP} during Program or Erase Suspend.

Reserved for Future Use (RFU). These pins do not have assigned functions in this revision of the part. They must be left disconnected.

Address/Address Multiplexed (A/A Mux) Signal Descriptions

For the Address/Address Multiplexed (A/A Mux) Interface see [Figure 3., Logic Diagram \(A/A Mux Interface\)](#), and [Table 2., Signal Names \(A/A Mux Interface\)](#).

Address Inputs (A0-A10). The Address Inputs are used to set the Row Address bits (A0-A10) and the Column Address bits (A11-A20). They are latched during any bus operation by the Row/Column Address Select input, RC.

Data Inputs/Outputs (DQ0-DQ7). The Data Inputs/Outputs hold the data that is written to or read from the memory. They output the data stored at the selected address during a Bus Read operation. During Bus Write operations they represent the commands sent to the Command Interface of the internal state machine. The Data Inputs/Outputs, DQ0-DQ7, are latched during a Bus Write operation.

Output Enable (\overline{G}). The Output Enable, \overline{G} , controls the Bus Read operation of the memory.

Write Enable (\overline{W}). The Write Enable, \overline{W} , controls the Bus Write operation of the memory's Command Interface.

Row/Column Address Select (\overline{RC}). The Row/Column Address Select input selects whether the Address Inputs should be latched into the Row Address bits (A0-A10) or the Column Address bits (A11-A20). The Row Address bits are latched on the falling edge of \overline{RC} whereas the Column Address bits are latched on the rising edge.

Ready/Busy Output (RB). The Ready/Busy pin gives the status of the memory's Program/Erase Controller. When Ready/Busy is Low, V_{OL} , the

memory is busy with a Program or Erase operation and it will not accept any additional Program or Erase command except the Program/Erase Suspend command. When Ready/Busy is High, V_{OH} , the memory is ready for any Read, Program or Erase operation.

Supply Signal Descriptions

The Supply Signals are the same for both interfaces.

V_{CC} Supply Voltage. The V_{CC} Supply Voltage supplies the power for all operations (Read, Program, Erase etc.).

The Command Interface is disabled when the V_{CC} Supply Voltage is less than the Lockout Voltage, V_{LKO} . This prevents Bus Write operations from accidentally damaging the data during power up, power down and power surges. If the Program/Erase Controller is programming or erasing during this time then the operation aborts and the memory contents being altered will be invalid. After V_{CC} becomes valid the Command Interface is reset to Read mode.

A 0.1 μ F capacitor should be connected between the V_{CC} Supply Voltage pins and the V_{SS} Ground pin to decouple the current surges from the power supply. Both V_{CC} Supply Voltage pins must be connected to the power supply. The PCB track widths must be sufficient to carry the currents required during program and erase operations.

V_{PP} Optional Supply Voltage. The V_{PP} Optional Supply Voltage pin is used to select the Fast Program (see the Quadruple Byte Program Command description) and Fast Erase options of the memory and to protect the memory. When $V_{PP} < V_{PPLK}$ Program and Erase operations cannot be performed and an error is reported in the Status Register if an attempt to change the memory contents is made. When $V_{PP} = V_{CC}$ Program and Erase operations take place as normal. When $V_{PP} = V_{PPH}$ Fast Program operations (using the Quadruple Byte Program command, 30h, from [Table 10.](#)) and Fast Erase operations are used. Any other voltage input to V_{PP} will result in undefined behavior and should not be used.

V_{PP} should not be set to V_{PPH} for more than 80 hours during the life of the memory.

V_{SS} Ground. V_{SS} is the reference for all the voltage measurements.

Table 3. Block Addresses

Size (Kbytes)	Address Range	Block Number	Block Type
64	1F0000h-1FFFFFFh	31	Top Block
64	1E0000h-1EFFFFh	30	Main Block
64	1D0000h-1DFFFFh	29	Main Block
64	1C0000h-1CFFFFh	28	Main Block
64	1B0000h-1BFFFFh	27	Main Block
64	1A0000h-1AFFFFh	26	Main Block
64	190000h-19FFFFh	25	Main Block
64	180000h-18FFFFh	24	Main Block
64	170000h-17FFFFh	23	Main Block
64	160000h-16FFFFh	22	Main Block
64	150000h-15FFFFh	21	Main Block
64	140000h-14FFFFh	20	Main Block
64	130000h-13FFFFh	19	Main Block
64	120000h-12FFFFh	18	Main Block
64	110000h-11FFFFh	17	Main Block
64	100000h-10FFFFh	16	Main Block
64	0F0000h-0FFFFFFh	15	Main Block
64	0E0000h-0EFFFFh	14	Main Block
64	0D0000h-0DFFFFh	13	Main Block
64	0C0000h-0CFFFFh	12	Main Block
64	0B0000h-0BFFFFh	11	Main Block
64	0A0000h-0AFFFFh	10	Main Block
64	090000h-09FFFFh	9	Main Block
64	080000h-08FFFFh	8	Main Block
64	070000h-07FFFFh	7	Main Block
64	060000h-06FFFFh	6	Main Block
64	050000h-05FFFFh	5	Main Block
64	040000h-04FFFFh	4	Main Block
64	030000h-03FFFFh	3	Main Block
64	020000h-02FFFFh	2	Main Block
64	010000h-01FFFFh	1	Main Block
64	000000h-00FFFFh	0	Main Block

BUS OPERATIONS

The two interfaces have similar bus operations but the signals and timings are completely different. The Firmware Hub (FWH) Interface is the usual interface and all of the functionality of the part is available through this interface. Only a subset of functions are available through the Address/Address Multiplexed (A/A Mux) Interface.

Follow the section [Firmware Hub \(FWH\) Bus Operations](#) below and the section [Address/Address Multiplexed \(A/A Mux\) Bus Operations](#) below for a description of the bus operations on each interface.

Firmware Hub (FWH) Bus Operations

The Firmware Hub (FWH) Interface consists of four data signals (FWH0-FWH3), one control line (FWH4) and a clock (CLK). In addition protection against accidental or malicious data corruption can be achieved using two further signals (TBL and WP). Finally two reset signals (RP and INIT) are available to put the memory into a known state.

The data signals, control signal and clock are designed to be compatible with PCI electrical specifications. The interface operates with clock speeds up to 33MHz.

The following operations can be performed using the appropriate bus cycles: Bus Read, Bus Write, Standby, Reset and Block Protection.

Bus Read. Bus Read operations read from the memory cells, specific registers in the Command Interface or Firmware Hub Registers. A valid Bus Read operation starts when Input Communication Frame, FWH4, is Low, V_{IL} , as Clock rises and the correct Start cycle is on FWH0-FWH3. On the following clock cycles the Host will send the Memory ID Select, Address and other control bits on FWH0-FWH3. The memory responds by outputting Sync data until the wait-states have elapsed followed by Data0-Data3 and Data4-Data7.

Refer to [Table 4., FWH Bus Read Field Definitions](#), and [Figure 5., FWH Bus Read Waveforms \(Single Byte Read\)](#), for a description of the Field definitions for each clock cycle of the transfer. See [Table 23., FWH Interface AC Signal Timing Characteristics](#) and [Figure 11., FWH Interface AC Signal Timing Waveforms](#), for details on the timings of the signals.

FWH Bus Write. Bus Write operations write to the Command Interface or Firmware Hub Registers. A valid Bus Write operation starts when Input Communication Frame, FWH4, is Low, V_{IL} , as Clock rises and the correct Start cycle is on FWH0-FWH3. On the following Clock cycles the Host will send the Memory ID Select, Address, other control bits, Data0-Data3 and Data4-Data7

on FWH0-FWH3. The memory outputs Sync data until the wait-states have elapsed.

Refer to [Table 5., FWH Bus Write Field Definitions \(Single Byte\)](#), and [Figure 6., FWH Bus Write Waveforms \(Single Byte\)](#), for a description of the Field definitions for each clock cycle of the transfer. See [Table 23., FWH Interface AC Signal Timing Characteristics](#), and [Figure 11., FWH Interface AC Signal Timing Waveforms](#), for details on the timings of the signals.

Bus Abort. The Bus Abort operation can be used to immediately abort the current bus operation. A Bus Abort occurs when FWH4 is driven Low, V_{IL} , during the bus operation; the memory will tri-state the Input/Output Communication pins, FWH0-FWH3.

Note that, during a Bus Write operation, the Command Interface starts executing the command as soon as the data is fully received; a Bus Abort during the final TAR cycles is not guaranteed to abort the command; the bus, however, will be released immediately.

Standby. When FWH4 is High, V_{IH} , the memory is put into Standby mode where FWH0-FWH3 are put into a high-impedance state and the Supply Current is reduced to the Standby level, I_{CC1} .

Reset. During Reset mode all internal circuits are switched off, the memory is deselected and the outputs are put in high-impedance. The memory is in Reset mode when Interface Reset, RP, or CPU Reset, INIT, is Low, V_{IL} . RP or INIT must be held Low, V_{IL} , for t_{PLPH} . The memory resets to Read mode upon return from Reset mode and the Lock Registers return to their default states regardless of their state before Reset, see [Table 13](#). If RP or INIT goes Low, V_{IL} , during a Program or Erase operation, the operation is aborted and the memory cells affected no longer contain valid data; the memory can take up to t_{PLRH} to abort a Program or Erase operation.

Block Protection. Block Protection can be forced using the signals Top Block Lock, TBL, and Write Protect, WP, regardless of the state of the Lock Registers.

Address/Address Multiplexed (A/A Mux) Bus Operations

The Address/Address Multiplexed (A/A Mux) Interface has a more traditional style interface. The signals consist of a multiplexed address signals (A0-A10), data signals, (DQ0-DQ7) and three control signals (RC, G, W). An additional signal, RP, can be used to reset the memory.

The Address/Address Multiplexed (A/A Mux) Interface is included for use by Flash Programming equipment for faster factory

programming. Only a subset of the features available to the Firmware Hub (FWH) Interface are available; these include all the Commands but exclude the Security features and other registers.

The following operations can be performed using the appropriate bus cycles: Bus Read, Bus Write, Output Disable and Reset.

When the Address/Address Multiplexed (A/A Mux) Interface is selected all the blocks are unprotected. It is not possible to protect any blocks through this interface.

Bus Read. Bus Read operations are used to output the contents of the Memory Array, the Electronic Signature and the Status Register. A valid Bus Read operation begins by latching the Row Address and Column Address signals into the memory using the Address Inputs, $\underline{A0-A10}$, and the Row/Column Address Select \underline{RC} . Then Write Enable (\underline{W}) and Interface Reset (\underline{RP}) must be High, V_{IH} , and Output Enable, \underline{G} , Low, V_{IL} , in order to perform a Bus Read operation. The Data Inputs/Outputs will output the value, see [Figure 13., A/A Mux Interface Read AC Waveforms](#), and [Table 25., A/A Mux Interface Read AC Characteristics](#), for details of when the output becomes valid.

Bus Write. Bus Write operations write to the Command Interface. A valid Bus Write operation begins by latching the Row Address and Column Address signals into the memory using the Address Inputs, $\underline{A0-A10}$, and the Row/Column Address Select \underline{RC} . The data should be set up on the Data Inputs/Outputs; Output Enable, \underline{G} , and Interface Reset, \underline{RP} , must be High, V_{IH} and Write Enable, \underline{W} , must be Low, V_{IL} . The Data Inputs/Outputs are latched on the rising edge of Write Enable, \underline{W} . See [Figure 14., A/A Mux Interface Write AC Waveforms](#), and [Table 26., A/A Mux Interface Write AC Characteristics](#), for details of the timing requirements.

Output Disable. The data outputs are high-impedance when the Output Enable, \underline{G} , is at V_{IH} .

Reset. During Reset mode all internal circuits are switched off, the memory is deselected and the outputs are put in high-impedance. The memory is in Reset mode when \underline{RP} is Low, V_{IL} . \underline{RP} must be held Low, V_{IL} for t_{PLPH} . If \underline{RP} is goes Low, V_{IL} , during a Program or Erase operation, the operation is aborted and the memory cells affected no longer contain valid data; the memory can take up to t_{PLRH} to abort a Program or Erase operation.

Table 4. FWH Bus Read Field Definitions

Clock Cycle Number	Clock Cycle Count	Field	FWH0-FWH3	Memory I/O	Description
1	1	START	1101b	I	On the rising edge of CLK with FWH4 Low, the contents of FWH0-FWH3 indicate the start of a FWH Read cycle.
2	1	IDSEL	XXXX	I	Indicates which FWH Flash Memory is selected. The value on FWH0-FWH3 is compared to the IDSEL strapping on the FWH Flash Memory pins to select which FWH Flash Memory is being addressed.
3-9	7	ADDR	XXXX	I	A 28-bit address phase is transferred starting with the most significant nibble first. For the multi-byte read operation, the least significant bits (MSIZE of them) are treated as Don't Care, and the read operation is started with each of these bits reset to 0.
10	1	MSIZE	0XXXb	I	This one clock cycle is driven by the host to determine how many bytes will be transferred. M50FW016 will support: single byte transfer (0000b), 4-byte transfer (0010b), 16-byte transfer (0100b) and 128-byte transfer (0111b).
11	1	TAR	1111b	I	The host drives FWH0-FWH3 to 1111b to indicate a turnaround cycle.
12	1	TAR	1111b (float)	O	The FWH Flash Memory takes control of FWH0-FWH3 during this cycle.
13-14	2	WSYNC	0101b	O	The FWH Flash Memory drives FWH0-FWH3 to 0101b (short wait-sync) for two clock cycles, indicating that the data is not yet available. Two wait-states are always included.
15	1	RSYNC	0000b	O	The FWH Flash Memory drives FWH0-FWH3 to 0000b, indicating that data will be available during the next clock cycle.
16-17	2	DATA	XXXX	O	Data transfer is two CLK cycles, starting with the least significant nibble. If multi-byte read operation is enabled, repeat cycle 16-17 n times, where $n = 2^{MSIZE} - 1$
Note 1	1	TAR	1111b	O	The FWH Flash Memory drives FWH0-FWH3 to 1111b to indicate a turnaround cycle.
Note 2	1	TAR	1111b (float)	N/A	The FWH Flash Memory floats its outputs, the host takes control of FWH0-FWH3.

Note: 1. Clock Cycle Number = $(2^{MSIZE} - 1) * 2 + 18$
 2. Clock Cycle Number = $(2^{MSIZE} - 1) * 2 + 19$

Figure 5. FWH Bus Read Waveforms (Single Byte Read)

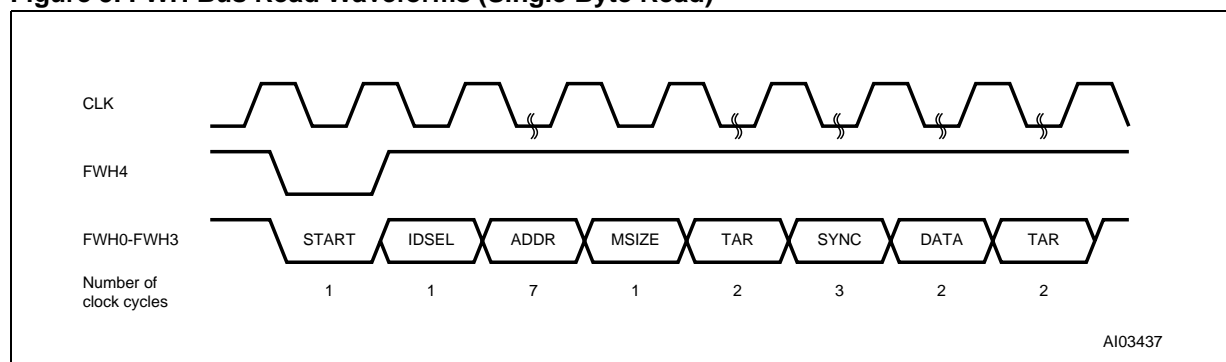


Table 5. FWH Bus Write Field Definitions (Single Byte)

Clock Cycle Number	Clock Cycle Count	Field	FWH0-FWH3	Memory I/O	Description
1	1	START	1110b	I	On the rising edge of CLK with FWH4 Low, the contents of FWH0-FWH3 indicate the start of a FWH Write Cycle.
2	1	IDSEL	XXXX	I	Indicates which FWH Flash Memory is selected. The value on FWH0-FWH3 is compared to the IDSEL strapping on the FWH Flash Memory pins to select which FWH Flash Memory is being addressed.
3-9	7	ADDR	XXXX	I	A 28-bit address phase is transferred starting with the most significant nibble first.
10	1	MSIZE	0000b	I	Always 0000b (single byte transfer).
11-12	2	DATA	XXXX	I	Data transfer is two cycles, starting with the least significant nibble.
13	1	TAR	1111b	I	The host drives FWH0-FWH3 to 1111b to indicate a turnaround cycle.
14	1	TAR	1111b (float)	O	The FWH Flash Memory takes control of FWH0-FWH3 during this cycle.
15	1	SYNC	0000b	O	The FWH Flash Memory drives FWH0-FWH3 to 0000b, indicating it has received data or a command.
16	1	TAR	1111b	O	The FWH Flash Memory drives FWH0-FWH3 to 1111b, indicating a turnaround cycle.
17	1	TAR	1111b (float)	N/A	The FWH Flash Memory floats its outputs and the host takes control of FWH0-FWH3.

Figure 6. FWH Bus Write Waveforms (Single Byte)

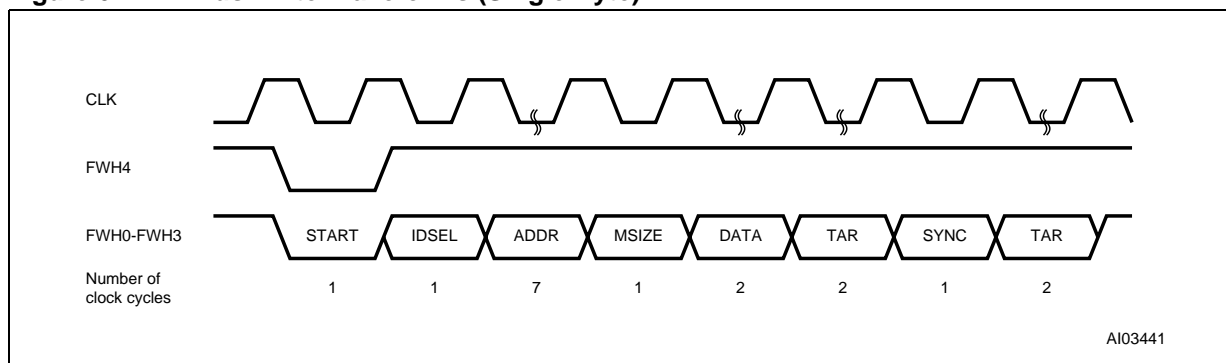


Table 6. FWH Bus Write Field Definitions (Quadruple Byte Program)

Clock Cycle Number	Clock Cycle Count	Field	FWH0-FWH3	Memory I/O	Description
1	1	START	1110b	I	On the rising edge of CLK with FWH4 Low, the contents of FWH0-FWH3 indicate the start of a FWH Write Cycle.
2	1	IDSEL	XXXX	I	Indicates which FWH Flash Memory is selected. The value on FWH0-FWH3 is compared to the IDSEL strapping on the FWH Flash Memory pins to select which FWH Flash Memory is being addressed.
3-9	7	ADDR	XXXX	I	A 28-bit address phase is transferred starting with the most significant nibble first. The A1-A0 lines are treated as Don't Care.
10	1	MSIZE	0010b	I	Always 0010b (quadruple byte transfer).
11-18	8	DATA	XXXX	I	Data transfer is two cycles, starting with the least significant nibble. (The first pair of nibbles is that at the address with A1-A0 set to 00, the second pair with A1-A0 set to 01, the third pair with A1-A0 set to 10, and the fourth pair with A1-A0 set to 11.)
19	1	TAR	1111b	I	The host drives FWH0-FWH3 to 1111b to indicate a turnaround cycle.
20	1	TAR	1111b (float)	O	The FWH Flash Memory takes control of FWH0-FWH3 during this cycle.
21	1	SYNC	0000b	O	The FWH Flash Memory drives FWH0-FWH3 to 0000b, indicating it has received data or a command.
22	1	TAR	1111b	O	The FWH Flash Memory drives FWH0-FWH3 to 1111b, indicating a turnaround cycle.
23	1	TAR	1111b (float)	N/A	The FWH Flash Memory floats its outputs and the host takes control of FWH0-FWH3.

Figure 7. FWH Bus Write Waveforms (Quadruple Byte Program)

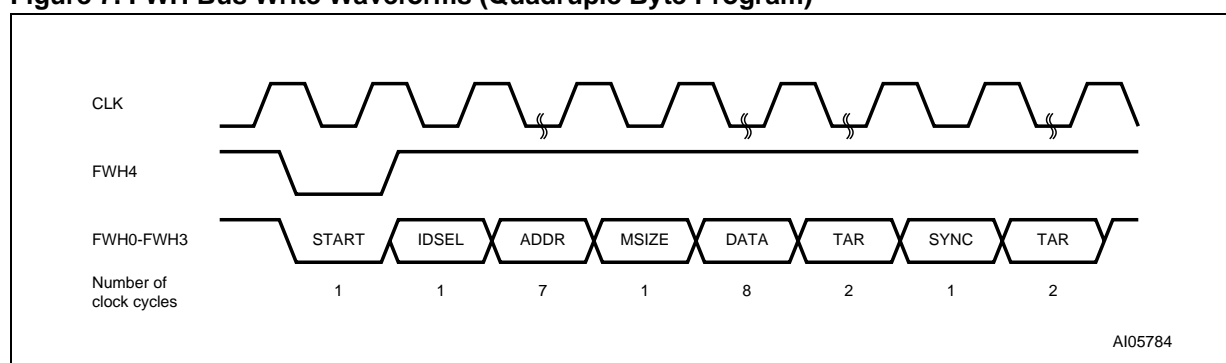


Table 7. A/A Mux Bus Operations

Operation	$\overline{\mathbf{G}}$	$\overline{\mathbf{W}}$	$\overline{\mathbf{RP}}$	$\mathbf{V_{PP}}$	$\mathbf{DQ7-DQ0}$
Bus Read	V_{IL}	V_{IH}	V_{IH}	Don't Care	Data Output
Bus Write	V_{IH}	V_{IL}	V_{IH}	V_{CC} or V_{PPH}	Data Input
Output Disable	V_{IH}	V_{IH}	V_{IH}	Don't Care	Hi-Z
Reset	V_{IL} or V_{IH}	V_{IL} or V_{IH}	V_{IL}	Don't Care	Hi-Z

Table 8. Manufacturer and Device Codes

Operation	$\overline{\mathbf{G}}$	$\overline{\mathbf{W}}$	$\overline{\mathbf{RP}}$	$\mathbf{A20-A1}$	$\mathbf{A0}$	$\mathbf{DQ7-DQ0}$
Manufacturer Code	V_{IL}	V_{IH}	V_{IH}	V_{IL}	V_{IL}	20h
Device Code	V_{IL}	V_{IH}	V_{IH}	V_{IL}	V_{IH}	2Eh

COMMAND INTERFACE

All Bus Write operations to the memory are interpreted by the Command Interface. Commands consist of one or more sequential Bus Write operations.

After power-up or a Reset operation the memory enters Read mode.

The commands are summarized in [Table 10., Commands](#). Refer to [Table 10.](#) in conjunction with the text descriptions below.

Read Memory Array Command. The Read Memory Array command returns the memory to its Read mode where it behaves like a ROM or EPROM. One Bus Write cycle is required to issue the Read Memory Array command and return the memory to Read mode. Once the command is issued the memory remains in Read mode until another command is issued. From Read mode Bus Read operations will access the memory array.

While the Program/Erase Controller is executing a Program or Erase operation the memory will not accept the Read Memory Array command until the operation completes.

Read Status Register Command. The Read Status Register command is used to read the Status Register. One Bus Write cycle is required to issue the Read Status Register command. Once the command is issued subsequent Bus Read operations read the Status Register until another command is issued. See the section on the [STATUS REGISTER](#) for details on the definitions of the Status Register bits.

Read Electronic Signature Command. The Read Electronic Signature command is used to read the Manufacturer Code and the Device Code. One Bus Write cycle is required to issue the Read Electronic Signature command. Once the command is issued subsequent Bus Read operations read the Manufacturer Code or the Device Code until another command is issued.

After the Read Electronic Signature Command is issued the Manufacturer Code and Device Code can be read using Bus Read operations using the addresses in [Table 9](#).

Program Command. The Program command can be used to program a value to one address in the memory array at a time. Two Bus Write operations are required to issue the command; the second Bus Write cycle latches the address and data in the internal state machine and starts the Program/Erase Controller. Once the command is issued subsequent Bus Read operations read the Status Register. See the section on the [STATUS REGISTER](#) for details on the definitions of the Status Register bits.

If the address falls in a protected block then the Program operation will abort, the data in the memory array will not be changed and the Status Register will output the error.

During the Program operation the memory will only accept the Read Status Register command and the Program/Erase Suspend command. All other commands will be ignored. Typical Program times are given in [Table 15](#).

Note that the Program command cannot change a bit set at '0' back to '1' and attempting to do so will not cause any modification on its value. One of the Erase commands must be used to set all of the bits in the block to '1'.

See [Figure 16., Program Flowchart and Pseudo Code](#), for a suggested flowchart on using the Program command.

Quadruple Byte Program Command (A/A Mux Mode). The Quadruple Byte Program Command can be used to program four adjacent bytes in the memory array at a time. The four bytes must differ only for the addresses A0 and A1. Programming should not be attempted when V_{PP} is not at V_{PPH} . Five Bus Write operations are required to issue the command. The second, the third and the fourth Bus Write cycle latches respectively the address and data of the first, the second and the third byte in the internal state machine. The fifth Bus Write cycle latches the address and data of the fourth byte in the internal state machine and starts the Program/Erase Controller. Once the command is issued subsequent Bus Read operations read the Status Register. See the section on the [STATUS REGISTER](#) for details on the definitions of the Status Register bits.

During the Quadruple Byte Program operation the memory will only accept the Read Status register command and the Program/Erase Suspend command. All other commands will be ignored. Typical Quadruple Byte Program times are given in [Table 15](#).

Note that the Quadruple Byte Program command cannot change a bit set to '0' back to '1' and attempting to do so will not cause any modification on its value. One of the Erase commands must be used to set all of the bits in the block to '1'.

See [Figure 17.](#), for a suggested flowchart on using the Quadruple Byte Program command.

Quadruple Byte Program Command (FWH Mode). The Quadruple Byte Program Command can be used to program four adjacent bytes in the memory array at a time. The four bytes must differ only for the addresses A0 and A1. Programming should not be attempted when V_{PP} is not at V_{PPH} . Two Bus Write operations are required to issue the command. The second Bus Write cycle latches the

start address and four data bytes in the internal state machine and starts the Program/Erase Controller. Once the command is issued subsequent Bus Read operations read the Status Register. See the section on the [STATUS REGISTER](#) for details on the definitions of the Status Register bits.

During the Quadruple Byte Program operation the memory will only accept the Read Status register command and the Program/Erase Suspend command. All other commands will be ignored. Typical Quadruple Byte Program times are given in [Table 15](#).

Note that the Quadruple Byte Program command cannot change a bit set to '0' back to '1' and attempting to do so will not cause any modification on its value. One of the Erase commands must be used to set all of the bits in the block to '1'.

See [Figure 18.](#), for a suggested flowchart on using the Quadruple Byte Program command.

Chip Erase Command. The Chip Erase Command can be only used in A/A Mux mode to erase the entire chip at a time. Erasing should not be attempted when V_{PP} is not at V_{PPH} . The operation can also be executed if V_{PP} is below V_{PPH} , but result could be uncertain. Two Bus Write operations are required to issue the command and start the Program/Erase Controller. Once the command is issued subsequent Bus Read operations read the Status Register. See the section on the [STATUS REGISTER](#) for details on the definitions of the Status Register bits. During the Chip Erase operation the memory will only accept the Read Status Register command. All other commands will be ignored. Typical Chip Erase times are given in [Table 15](#). The Chip Erase command sets all of the bits in the memory to '1'. See [Figure 20., Chip Erase Flowchart and Pseudo Code \(A/A Mux Interface Only\)](#), for a suggested flowchart on using the Chip Erase command.

Block Erase Command. The Block Erase command can be used to erase a block. Two Bus Write operations are required to issue the command; the second Bus Write cycle latches the block address in the internal state machine and starts the Program/Erase Controller. Once the command is issued subsequent Bus Read operations read the Status Register. See the section on the [STATUS REGISTER](#) for details on the definitions of the Status Register bits.

If the block is protected then the Block Erase operation will abort, the data in the block will not be changed and the Status Register will output the error.

During the Block Erase operation the memory will only accept the Read Status Register command and the Program/Erase Suspend command. All

other commands will be ignored. Typical Block Erase times are given in [Table 15](#).

The Block Erase command sets all of the bits in the block to '1'. All previous data in the block is lost.

See [Figure 21., Block Erase Flowchart and Pseudo Code](#), for a suggested flowchart on using the Erase command.

Clear Status Register Command. The Clear Status Register command can be used to reset bits 1, 3, 4 and 5 in the Status Register to '0'. One Bus Write is required to issue the Clear Status Register command. Once the command is issued the memory returns to its previous mode, subsequent Bus Read operations continue to output the same data.

The bits in the Status Register are sticky and do not automatically return to '0' when a new Program or Erase command is issued. If an error occurs then it is essential to clear any error bits in the Status Register by issuing the Clear Status Register command before attempting a new Program or Erase command.

Program/Erase Suspend Command. The Program/Erase Suspend command can be used to pause a Program or Block Erase operation. One Bus Write cycle is required to issue the Program/Erase Suspend command and pause the Program/Erase Controller. Once the command is issued it is necessary to poll the Program/Erase Controller Status bit to find out when the Program/Erase Controller has paused; no other commands will be accepted until the Program/Erase Controller has paused. After the Program/Erase Controller has paused, the memory will continue to output the Status Register until another command is issued.

During the polling period between issuing the Program/Erase Suspend command and the Program/Erase Controller pausing it is possible for the operation to complete. Once Program/Erase Controller Status bit indicates that the Program/Erase Controller is no longer active, the Program Suspend Status bit or the Erase Suspend Status bit can be used to determine if the operation has completed or is suspended. For timing on the delay between issuing the Program/Erase Suspend command and the Program/Erase Controller pausing see [Table 15](#).

During Program/Erase Suspend the Read Memory Array, Read Status Register, Read Electronic Signature and Program/Erase Resume commands will be accepted by the Command Interface. Additionally, if the suspended operation was Block Erase then the Program command will also be accepted; only the blocks not being erased may be read or programmed correctly.

See Figure 19., Program Suspend and Resume Flowchart, and Pseudo Code, and Figure 22., Erase Suspend and Resume Flowchart, and Pseudo Code, for suggested flowcharts on using the Program/Erase Suspend command.

Program/Erase Resume Command. The Program/Erase Resume command can be used to restart the Program/Erase Controller after a Program/Erase Suspend has paused it. One Bus Write cycle is required to issue the Program/Erase

Resume command. Once the command is issued subsequent Bus Read operations read the Status Register.

Table 9. Read Electronic Signature

Code	Address	Data
Manufacturer Code	00000h	20h
Device Code	00001h	2Eh

Table 10. Commands

Command	Cycles	Bus Write Operations									
		1st		2nd		3rd		4th		5th	
		Addr	Data	Addr	Data	Addr	Data	Addr	Data	Addr	Data
Read Memory Array	1	X	FFh								
Read Status Register	1	X	70h								
Read Electronic Signature	1	X	90h								
	1	X	98h								
Program	2	X	40h	PA	PD						
	2	X	10h	PA	PD						
Quadruple Byte Program (A/A Mux Mode)	5	X	30h	A ₁	PD	A ₂	PD	A ₃	PD	A ₄	PD
Quadruple Byte Program (FWH Mode)	2	X	30h	A _{qbp}	PD _{qbp}						
Chip Erase	2	X	80h	X	10h						
Block Erase	2	X	20h	BA	D0h						
Clear Status Register	1	X	50h								
Program/Erase Suspend	1	X	B0h								
Program/Erase Resume	1	X	D0h								
Invalid/Reserved	1	X	00h								
	1	X	01h								
	1	X	60h								
	1	X	2Fh								
	1	X	C0h								

Note: X Don't Care, PA Program Address, PD Program Data, A_{1,2,3,4} Consecutive Addresses, BA Any address in the Block.

Read Memory Array. After a Read Memory Array command, read the memory as normal until another command is issued.

Read Status Register. After a Read Status Register command, read the Status Register as normal until another command is issued.

Read Electronic Signature. After a Read Electronic Signature command, read Manufacturer Code, Device Code until another command is issued.

Block Erase, Program. After these commands read the Status Register until the command completes and another command is issued.

Quadruple Byte Program (A/A Mux Mode). Addresses A₁, A₂, A₃ and A₄ must be consecutive addresses differing only for address bit A₀ and A₁. After this command, the user should repeatedly read the Status Register until the command has completed, at which point another command can be issued.

Quadruple Byte Program (FWH Mode). A_{qbp} is the start address, A₁ and A₀ are treated as Don't Care. The first data byte is programmed at the address that has A₁-A₀ at 00, the second at the address that has A₁-A₀ at 01, the third at the address that has A₁-A₀ at 10, and the fourth at the address that has A₁-A₀ at 11. After this command, the user should repeatedly read the Status Register until the command has completed, at which point another command can be issued.

Chip Erase. This command is only valid in A/A Mux mode. After this command read the Status Register until the command completes and another command is issued.

Clear Status Register. After the Clear Status Register command bits 1, 3, 4 and 5 in the Status Register are reset to '0'.

Program/Erase Suspend. After the Program/Erase Suspend command has been accepted, issue Read Memory Array, Read Status Register, Program (during Erase suspend) and Program/Erase resume commands.

Program/Erase Resume. After the Program/Erase Resume command the suspended Program/Erase operation resumes, read the Status Register until the Program/Erase Controller completes and the memory returns to Read Mode.

Invalid/Reserved. Do not use Invalid or Reserved commands.

STATUS REGISTER

The Status Register provides information on the current or previous Program or Erase operation. Different bits in the Status Register convey different information and errors on the operation.

To read the Status Register the Read Status Register command can be issued. The Status Register is automatically read after Program, Erase and Program/Erase Resume commands are issued. The Status Register can be read from any address.

The Status Register bits are summarized in [Table 11.](#), [Status Register Bits](#). Refer to [Table 11.](#) in conjunction with the text descriptions below.

Program/Erase Controller Status (Bit 7). The Program/Erase Controller Status bit indicates whether the Program/Erase Controller is active or inactive. When the Program/Erase Controller Status bit is '0', the Program/Erase Controller is active; when the bit is '1', the Program/Erase Controller is inactive.

The Program/Erase Controller Status is '0' immediately after a Program/Erase Suspend command is issued until the Program/Erase Controller pauses. After the Program/Erase Controller pauses the bit is '1'.

During Program and Erase operation the Program/Erase Controller Status bit can be polled to find the end of the operation. The other bits in the Status Register should not be tested until the Program/Erase Controller completes the operation and the bit is '1'.

After the Program/Erase Controller completes its operation the Erase Status, Program Status, V_{PP} Status and Block Protection Status bits should be tested for errors.

Erase Suspend Status (Bit 6). The Erase Suspend Status bit indicates that a Block Erase operation has been suspended and is waiting to be resumed. The Erase Suspend Status should only be considered valid when the Program/Erase Controller Status bit is '1' (Program/Erase Controller inactive); after a Program/Erase Suspend command is issued the memory may still complete the operation rather than entering the Suspend mode. When the Erase Suspend Status bit is '0' the Program/Erase Controller is active or has completed its operation; when the bit is '1' a Program/Erase Suspend command has been issued and the memory is waiting for a Program/Erase Resume command.

When a Program/Erase Resume command is issued the Erase Suspend Status bit returns to '0'.

Erase Status (Bit 5). The Erase Status bit can be used to identify if the memory has applied the maximum number of erase pulses to the block(s)

and still failed to verify that the block(s) has erased correctly. The Erase Status bit should be read once the Program/Erase Controller Status bit is '1' (Program/Erase Controller inactive).

When the Erase Status bit is '0' the memory has successfully verified that the block(s) has erased correctly; when the Erase Status bit is '1' the Program/Erase Controller has applied the maximum number of pulses to the block(s) and still failed to verify that the block(s) has erased correctly.

Once the Erase Status bit is set to '1' it can only be reset to '0' by a Clear Status Register command or a hardware reset. If it is set to '1' it should be reset before a new Program or Erase command is issued, otherwise the new command will appear to fail. (When Bit 4 and Bit 5 are set to '1', a wrong command sequence has been attempted).

Program Status (Bit 4). The Program Status bit can be used to identify if the memory has applied the maximum number of program pulses to the byte and still failed to verify that the byte has programmed correctly. The Program Status bit should be read once the Program/Erase Controller Status bit is '1' (Program/Erase Controller inactive).

When the Program Status bit is '0' the memory has successfully verified that the byte has programmed correctly; when the Program Status bit is '1' the Program/Erase Controller has applied the maximum number of pulses to the byte and still failed to verify that the byte has programmed correctly.

Once the Program Status bit is set to '1' it can only be reset to '0' by a Clear Status Register command or a hardware reset. If it is set to '1' it should be reset before a new Program or Erase command is issued, otherwise the new command will appear to fail. (When Bit 4 and Bit 5 are set to '1', a wrong command sequence has been attempted).

V_{PP} Status (Bit 3). The V_{PP} Status bit can be used to identify an invalid voltage on the V_{PP} pin during Program and Erase operations. The V_{PP} pin is only sampled at the beginning of a Program or Erase operation. Indeterminate results can occur if V_{PP} becomes invalid during a Program or Erase operation.

When the V_{PP} Status bit is '0' the voltage on the V_{PP} pin was sampled at a valid voltage; when the V_{PP} Status bit is '1' the V_{PP} pin has a voltage that is below the V_{PP} Lockout Voltage, V_{PPLK} , the memory is protected; Program and Erase operation cannot be performed. (The V_{PP} status bit is '1' if a Quadruple Byte Program command is issued and the V_{PP} signal has a voltage less than V_{PPH} applied to it.)

Once the V_{PP} Status bit set to '1' it can only be reset to '0' by a Clear Status Register command or a

hardware reset. If it is set to '1' it should be reset before a new Program or Erase command is issued, otherwise the new command will appear to fail.

Program Suspend Status (Bit 2). The Program Suspend Status bit indicates that a Program operation has been suspended and is waiting to be resumed. The Program Suspend Status should only be considered valid when the Program/Erase Controller Status bit is '1' (Program/Erase Controller inactive); after a Program/Erase Suspend command is issued the memory may still complete the operation rather than entering the Suspend mode. When the Program Suspend Status bit is '0' the Program/Erase Controller is active or has completed its operation; when the bit is '1' a Program/Erase Suspend command has been issued and the memory is waiting for a Program/Erase Resume command.

When a Program/Erase Resume command is issued the Program Suspend Status bit returns to '0'.

Block Protection Status (Bit 1). The Block Protection Status bit can be used to identify if the Program or Block Erase operation has tried to modify the contents of a protected block. When the Block Protection Status bit is to '0' no Program or Block Erase operations have been attempted to protected blocks since the last Clear Status Register command or hardware reset; when the Block Protection Status bit is '1' a Program or Block Erase operation has been attempted on a protected block.

Once it is set to '1' the Block Protection Status bit can only be reset to '0' by a Clear Status Register command or a hardware reset. If it is set to '1' it should be reset before a new Program or Block Erase command is issued, otherwise the new command will appear to fail.

Using the A/A Mux Interface the Block Protection Status bit is always '0'.

Reserved (Bit 0). Bit 0 of the Status Register is reserved. Its value should be masked.

Table 11. Status Register Bits

Operation	Bit 7	Bit 6	Bit 5	Bit 4	Bit 3	Bit 2	Bit 1
Program active	'0'	X ⁽¹⁾	'0'	'0'	'0'	'0'	'0'
Program suspended	'1'	X ⁽¹⁾	'0'	'0'	'0'	'1'	'0'
Program completed successfully	'1'	X ⁽¹⁾	'0'	'0'	'0'	'0'	'0'
Program failure due to V _{PP} Error	'1'	X ⁽¹⁾	'0'	'0'	'1'	'0'	'0'
Program failure due to Block Protection (FWH Interface only)	'1'	X ⁽¹⁾	'0'	'0'	'0'	'0'	'1'
Program failure due to cell failure	'1'	X ⁽¹⁾	'0'	'1'	'0'	'0'	'0'
Erase active	'0'	'0'	'0'	'0'	'0'	'0'	'0'
Block Erase suspended	'1'	'1'	'0'	'0'	'0'	'0'	'0'
Erase completed successfully	'1'	'0'	'0'	'0'	'0'	'0'	'0'
Erase failure due to V _{PP} Error	'1'	'0'	'0'	'0'	'1'	'0'	'0'
Block Erase failure due to Block Protection (FWH Interface only)	'1'	'0'	'0'	'0'	'0'	'0'	'1'
Erase failure due to failed cell(s)	'1'	'0'	'1'	'0'	'0'	'0'	'0'

Note: 1. For Program operations during Erase Suspend Bit 6 is '1', otherwise Bit 6 is '0'.

FIRMWARE HUB (FWH) INTERFACE CONFIGURATION REGISTERS

When the Firmware Hub Interface is selected several additional registers can be accessed. These registers control the protection status of the Blocks, read the General Purpose Input pins and identify the memory using the Electronic Signature codes. See [Table 12](#). for the memory map of the Configuration Registers in the FWH Protocol.

Lock Registers

The Lock Registers control the protection status of the Blocks. Each Block has its own Lock Register. Three bits within each Lock Register control the protection of each block, the Write Lock Bit, the Read Lock Bit and the Lock Down Bit.

The Lock Registers can be read and written, though care should be taken when writing as, once the Lock Down Bit is set, '1', further modifications to the Lock Register cannot be made until cleared, to '0', by a reset or power-up.

See [Table 13](#). for details on the bit definitions of the Lock Registers.

Write Lock. The Write Lock Bit determines whether the contents of the Block can be modified (using the Program or Block Erase Command). When the Write Lock Bit is set, '1', the block is write protected; any operations that attempt to change the data in the block will fail and the Status Register will report the error. When the Write Lock Bit is reset, '0', the block is not write protected through the Lock Register and may be modified unless write protected through some other means. When V_{PP} is less than V_{PPLK} all blocks are protected and cannot be modified, regardless of the state of the Write Lock Bit. If Top Block Lock, TBL, is Low, V_{IL} , then the Top Block (Block 31) is write protected and cannot be modified. Similarly, if Write Protect, WP, is Low, V_{IL} , then the Main Blocks (Blocks 0 to 30) are write protected and cannot be modified.

After power-up or reset the Write Lock Bit is always set to '1' (write protected).

Read Lock. The Read Lock bit determines whether the contents of the Block can be read (from Read mode). When the Read Lock Bit is set, '1', the block is read protected; any operation that

attempts to read the contents of the block will read 00h instead. When the Read Lock Bit is reset, '0', read operations in the Block return the data programmed into the block as expected.

After power-up or reset the Read Lock Bit is always reset to '0' (not read protected).

Lock Down. The Lock Down Bit provides a mechanism for protecting software data from simple hacking and malicious attack. When the Lock Down Bit is set, '1', further modification to the Write Lock, Read Lock and Lock Down Bits cannot be performed. A reset or power-up is required before changes to these bits can be made. When the Lock Down Bit is reset, '0', the Write Lock, Read Lock and Lock Down Bits can be changed.

Firmware Hub (FWH) General Purpose Input Register

The Firmware Hub (FWH) General Purpose Input Register holds the state of the Firmware Hub Interface General Purpose Input pins, FGPI0-FGPI4. When this register is read, the state of these pins is returned. This register is read-only and writing to it has no effect.

The signals on the Firmware Hub Interface General Purpose Input pins should remain constant throughout the whole Bus Read cycle in order to guarantee that the correct data is read.

Manufacturer Code Register

Reading the Manufacturer Code Register returns the manufacturer code for the memory. The manufacturer code for STMicroelectronics is 20h. This register is read-only and writing to it has no effect.

Device Code Register

Reading the Device Code Register returns the device code for the memory, 2Eh. This register is read-only and writing to it has no effect.

Multi-Byte Read/Write Configuration Registers

The Multi-Byte Read/Write Configuration Registers contain information as which multi-byte read and write access sizes will be accepted. The M50FW016 supports 4/16/128-byte reading and 4-byte writing.

Table 12. Firmware Hub Register Configuration Map

Mnemonic	Register Name	Memory Address	Default Value	Access
T_BLOCK_LK	Top Block Lock Register (Block 31)	FBF0002h	01h	R/W
T_MINUS01_LK	Top Block [-1] Lock Register (Block 30)	FBE0002h	01h	R/W
T_MINUS02_LK	Top Block [-2] Lock Register (Block 29)	FBD0002h	01h	R/W
T_MINUS03_LK	Top Block [-3] Lock Register (Block 28)	FBC0002h	01h	R/W
T_MINUS04_LK	Top Block [-4] Lock Register (Block 27)	FBB0002h	01h	R/W
T_MINUS05_LK	Top Block [-5] Lock Register (Block 26)	FBA0002h	01h	R/W
T_MINUS06_LK	Top Block [-6] Lock Register (Block 25)	FB90002h	01h	R/W
T_MINUS07_LK	Top Block [-7] Lock Register (Block 24)	FB80002h	01h	R/W
T_MINUS08_LK	Top Block [-8] Lock Register (Block 23)	FB70002h	01h	R/W
T_MINUS09_LK	Top Block [-9] Lock Register (Block 22)	FB60002h	01h	R/W
T_MINUS10_LK	Top Block [-10] Lock Register (Block 21)	FB50002h	01h	R/W
T_MINUS11_LK	Top Block [-11] Lock Register (Block 20)	FB40002h	01h	R/W
T_MINUS12_LK	Top Block [-12] Lock Register (Block 19)	FB30002h	01h	R/W
T_MINUS13_LK	Top Block [-13] Lock Register (Block 18)	FB20002h	01h	R/W
T_MINUS14_LK	Top Block [-14] Lock Register (Block 17)	FB10002h	01h	R/W
T_MINUS15_LK	Top Block [-15] Lock Register (Block 16)	FB00002h	01h	R/W
T_MINUS16_LK	Top Block [-16] Lock Register (Block 15)	FAF0002h	01h	R/W
T_MINUS17_LK	Top Block [-17] Lock Register (Block 14)	FAE0002h	01h	R/W
T_MINUS18_LK	Top Block [-18] Lock Register (Block 13)	FAD0002h	01h	R/W
T_MINUS19_LK	Top Block [-19] Lock Register (Block 12)	FAC0002h	01h	R/W
T_MINUS20_LK	Top Block [-20] Lock Register (Block 11)	FAB0002h	01h	R/W
T_MINUS21_LK	Top Block [-21] Lock Register (Block 10)	FAA0002h	01h	R/W
T_MINUS22_LK	Top Block [-22] Lock Register (Block 9)	FA90002h	01h	R/W
T_MINUS23_LK	Top Block [-23] Lock Register (Block 8)	FA80002h	01h	R/W
T_MINUS24_LK	Top Block [-24] Lock Register (Block 7)	FA70002h	01h	R/W
T_MINUS25_LK	Top Block [-25] Lock Register (Block 6)	FA60002h	01h	R/W
T_MINUS26_LK	Top Block [-26] Lock Register (Block 5)	FA50002h	01h	R/W
T_MINUS27_LK	Top Block [-27] Lock Register (Block 4)	FA40002h	01h	R/W
T_MINUS28_LK	Top Block [-28] Lock Register (Block 3)	FA30002h	01h	R/W
T_MINUS29_LK	Top Block [-29] Lock Register (Block 2)	FA20002h	01h	R/W
T_MINUS30_LK	Top Block [-30] Lock Register (Block 1)	FA10002h	01h	R/W
T_MINUS31_LK	Top Block [-31] Lock Register (Block 0)	FA00002h	01h	R/W
FGPI_REG	Firmware Hub (FWH) General Purpose Input Register	FBC0100h	N/A	R
MANUF_REG	Manufacturer Code Register	FBC0000h	20h	R
DEV_REG	Device Code Register	FBC0001h	2Eh	R
MBR_REG_LB	Multi-Byte Read Configuration Register (Low Byte)	FBC0005h	4Ah	R
MBR_REG_HB	Multi-Byte Read Configuration Register (High Byte)	FBC0006h	00h	R
MBW_REG_LB	Multi-Byte Write Configuration Register (Low Byte)	FBC0007h	02h	R
MBW_REG_HB	Multi-Byte Write Configuration Register (High Byte)	FBC0008h	00h	R

Table 13. Lock Register Bit Definitions

Bit	Bit Name	Value	Function
7-3			Reserved
2	Read-Lock	'1'	Bus Read operations in this Block always return 00h.
		'0'	Bus read operations in this Block return the Memory Array contents. (Default value).
1	Lock-Down	'1'	Changes to the Read-Lock bit and the Write-Lock bit cannot be performed. Once a '1' is written to the Lock-Down bit it cannot be cleared to '0'; the bit is always reset to '0' following a Reset (using RP or INIT) or after power-up.
		'0'	Read-Lock and Write-Lock can be changed by writing new values to them. (Default value).
0	Write-Lock	'1'	Program and Block Erase operations in this Block will set an error in the Status Register. The memory contents will not be changed. (Default value).
		'0'	Program and Block Erase operations in this Block are executed and will modify the Block contents.

Note: 1. Applies to Top Block Lock Register (T_BLOCK_LK) and Top Block [-1] Lock Register (T_MINUS01_LK) to Top Block [-31] Lock Register (T_MINUS31_LK).

Table 14. General Purpose Input Register Definition

Bit	Bit Name	Value	Function
7-5			Reserved
4	FGPI4	'1'	Input Pin FGPI4 is at V_{IH}
		'0'	Input Pin FGPI4 is at V_{IL}
3	FGPI3	'1'	Input Pin FGPI3 is at V_{IH}
		'0'	Input Pin FGPI3 is at V_{IL}
2	FGPI2	'1'	Input Pin FGPI2 is at V_{IH}
		'0'	Input Pin FGPI2 is at V_{IL}
1	FGPI1	'1'	Input Pin FGPI1 is at V_{IH}
		'0'	Input Pin FGPI1 is at V_{IL}
0	FGPI0	'1'	Input Pin FGPI0 is at V_{IH}
		'0'	Input Pin FGPI0 is at V_{IL}

Note: 1. Applies to the General Purpose Input Register (FGPI_REG).

PROGRAM AND ERASE TIMES

The Program and Erase times are shown in [Table 15](#).

Table 15. Program and Erase Times

Parameter	Interface	Test Condition	Min	Typ ⁽¹⁾	Max	Unit
Byte Program				10	200	μs
Quadruple Byte Program		$V_{PP} = 12V \pm 5\%$		10 ⁽⁴⁾	200	μs
Chip Erase	A/A Mux	$V_{PP} = 12V \pm 5\%$		18		s
Block Program	A/A Mux	$V_{PP} = 12V \pm 5\%$		0.1 ⁽²⁾	5	s
		$V_{PP} = V_{CC}$		0.4	5	s
Block Erase		$V_{PP} = 12V \pm 5\%$		0.75	8	s
		$V_{PP} = V_{CC}$		1	10	s
Program/Erase Suspend to Program pause ⁽³⁾					5	μs
Program/Erase Suspend to Block Erase pause ⁽³⁾					30	μs

Note: 1. $T_A = 25^\circ\text{C}$, $V_{CC} = 3.3\text{V}$

2. This time is obtained executing the Quadruple Byte Program Command.

3. Sampled only, not 100% tested.

4. Time to program four bytes.

MAXIMUM RATING

Stressing the device above the rating listed in the Absolute Maximum Ratings table may cause permanent damage to the device. These are stress ratings only and operation of the device at these or any other conditions above those indicated in the Operating sections of this specification is not im-

plied. Exposure to Absolute Maximum Rating conditions for extended periods may affect device reliability. Refer also to the STMicroelectronics SURE Program and other relevant quality documents.

Table 16. Absolute Maximum Ratings

Symbol	Parameter	Min	Max	Unit
T _{STG}	Storage Temperature	-65	150	°C
T _{LEAD}	Lead Temperature during Soldering	See note 1		
V _{IO} ⁽²⁾	Input or Output Voltage	-0.6	V _{CC} + 0.6	V
V _{CC}	Supply Voltage	-0.6	4	V
V _{PP}	Program Voltage	-0.6	13	V

Note: 1. Compliant with JEDEC Std J-STD-020B (for small body, Sn-Pb or Pb assembly), the ST ECOPACK ® 7191395 specification, and the European directive on Restrictions on Hazardous Substances (RoHS) 2002/95/EU.

2. Minimum Voltage may undershoot to -2V, for less than 20 ns, during transitions. Maximum Voltage may overshoot to V_{CC}+2V, for less than 20 ns, during transitions.

DC AND AC PARAMETERS

This section summarizes the operating measurement conditions, and the DC and AC characteristics of the device. The parameters in the DC and AC characteristics Tables that follow, are derived from tests performed under the Measurement

Conditions summarized in [Table 17.](#), [Table 18.](#) and [Table 19.](#) Designers should check that the operating conditions in their circuit match the operating conditions when relying on the quoted parameters.

Table 17. Operating Conditions

Symbol	Parameter	Min	Max	Unit
T_A	Ambient Operating Temperature (Device Grade 1)	0	70	°C
	Ambient Operating Temperature (Device Grade 5)	-20	85	°C
V_{CC}	Supply Voltage	3	3.6	V

Table 18. FWH Interface AC Measurement Conditions

Parameter	Value	Unit
Load Capacitance (C_L)	10	pF
Input Rise and Fall Times	≤ 1.4	ns
Input Pulse Voltages	$0.2 V_{CC}$ and $0.6 V_{CC}$	V
Input and Output Timing Ref. Voltages	$0.4 V_{CC}$	V

Table 19. A/A Mux Interface AC Measurement Conditions

Parameter	Value	Unit
Load Capacitance (C_L)	30	pF
Input Rise and Fall Times	≤ 10	ns
Input Pulse Voltages	0 to 3	V
Input and Output Timing Ref. Voltages	1.5	V

Figure 8. FWH Interface AC Testing Input Output Waveforms

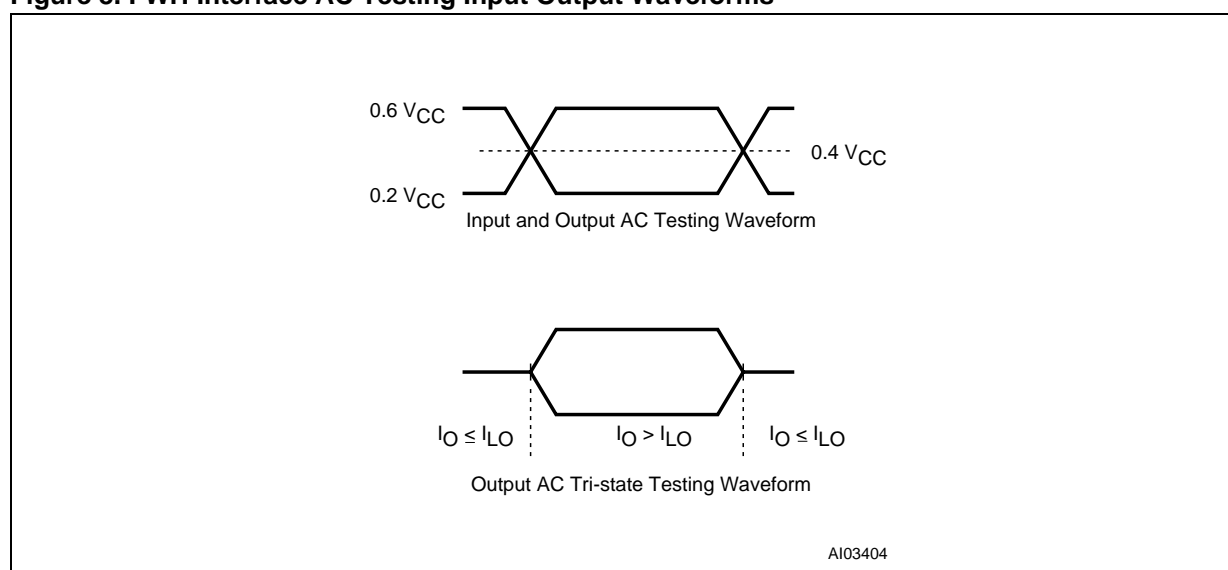


Figure 9. A/A Mux Interface AC Testing Input Output Waveform

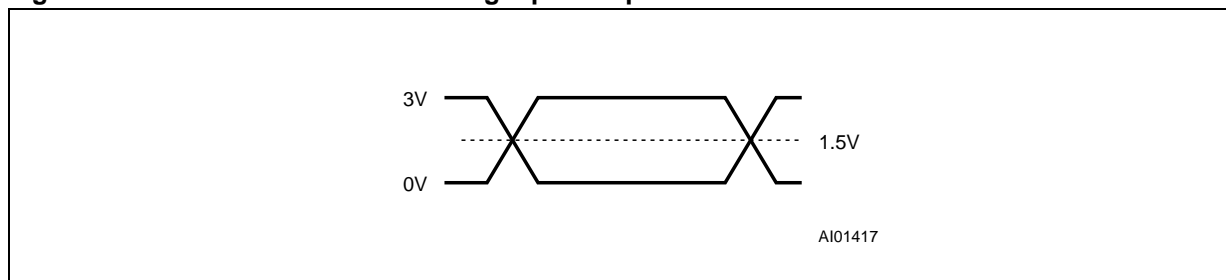


Table 20. Impedance

Symbol	Parameter	Test Condition	Min	Max	Unit
$C_{IN}^{(1)}$	Input Capacitance	$V_{IN} = 0V$		13	pF
$C_{CLK}^{(1)}$	Clock Capacitance	$V_{IN} = 0V$	3	12	pF
$LPIN^{(2)}$	Recommended Pin Inductance			20	nH

Note: 1. Sampled only, not 100% tested.
 2. See PCI Specification.

Table 21. DC Characteristics

Symbol	Parameter	Interface	Test Condition	Min	Max	Unit
V _{IH}	Input High Voltage	FWH		0.5 V _{CC}	V _{CC} + 0.5	V
		A/A Mux		0.7 V _{CC}	V _{CC} + 0.3	V
V _{IL}	Input Low Voltage	FWH		-0.5	0.3 V _{CC}	V
		A/A Mux		-0.5	0.8	V
V _{IH} ($\overline{\text{INIT}}$)	$\overline{\text{INIT}}$ Input High Voltage	FWH		1.35	V _{CC} + 0.5	V
V _{IL} ($\overline{\text{INIT}}$)	$\overline{\text{INIT}}$ Input Low Voltage	FWH		-0.5	0.2 V _{CC}	V
I _{LI} ⁽²⁾	Input Leakage Current		0V ≤ V _{IN} ≤ V _{CC}		±10	μA
I _{LI2}	IC, IDx Input Leakage Current		IC, ID0, ID1, ID2, ID3 = V _{CC}		200	μA
R _{IL}	IC, IDx Input Pull Low Resistor			20	100	kΩ
V _{OH}	Output High Voltage	FWH	I _{OH} = -500μA	0.9 V _{CC}		V
		A/A Mux	I _{OH} = -100μA	V _{CC} - 0.4		V
V _{OL}	Output Low Voltage	FWH	I _{OL} = 1.5mA		0.1 V _{CC}	V
		A/A Mux	I _{OL} = 1.8mA		0.45	V
I _{LO}	Output Leakage Current		0V ≤ V _{OUT} ≤ V _{CC}		±10	μA
V _{PP1}	V _{PP} Voltage			3	3.6	V
V _{PPH}	V _{PP} Voltage (Fast Program/Fast Erase)			11.4	12.6	V
V _{PLK} ⁽¹⁾	V _{PP} Lockout Voltage			1.5		V
V _{LKO} ⁽¹⁾	V _{CC} Lockout Voltage			1.8	2.3	V
I _{CC1}	Supply Current (Standby)	FWH	FWH4 = 0.9 V _{CC} , V _{PP} = V _{CC} All other inputs 0.9 V _{CC} to 0.1 V _{CC} V _{CC} = 3.6V, f(CLK) = 33MHz		100	μA
I _{CC2}	Supply Current (Standby)	FWH	FWH4 = 0.1 V _{CC} , V _{PP} = V _{CC} All other inputs 0.9 V _{CC} to 0.1 V _{CC} V _{CC} = 3.6V, f(CLK) = 33MHz		10	mA
I _{CC3}	Supply Current (Any internal operation active)	FWH	V _{CC} = V _{CC} max, V _{PP} = V _{CC} f(CLK) = 33MHz I _{OUT} = 0mA		60	mA
I _{CC4}	Supply Current (Read)	A/A Mux	$\overline{\text{G}} = V_{IH}$, f = 6MHz		20	mA
I _{CC5} ⁽¹⁾	Supply Current (Program/Erase)	A/A Mux	Program/Erase Controller Active		20	mA
I _{PP}	V _{PP} Supply Current (Read/Standby)		V _{PP} ≥ V _{CC}		400	μA
I _{PP1} ⁽¹⁾	V _{PP} Supply Current (Program/Erase active)		V _{PP} = V _{CC}		5	μA
			V _{PP} = 12V ± 5%		15	mA

Note: 1. Sampled only, not 100% tested.

2. Input leakage currents include High-Z output leakage for all bi-directional buffers with tri-state outputs.

Figure 10. FWH Interface Clock Waveform

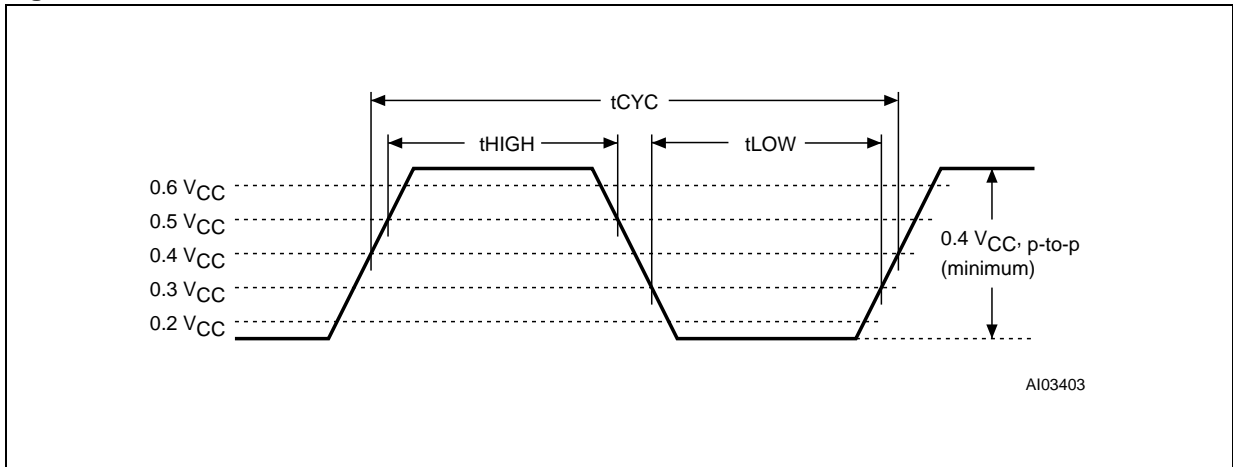


Table 22. FWH Interface Clock Characteristics

Symbol	Parameter	Test Condition		Value	Unit
t_{CYC}	CLK Cycle Time ⁽¹⁾		Min	30	ns
t_{HIGH}	CLK High Time		Min	11	ns
t_{LOW}	CLK Low Time		Min	11	ns
	CLK Slew Rate	peak to peak	Min	1	V/ns
			Max	4	V/ns

Note: 1. Devices on the PCI Bus must work with any clock frequency between DC and 33MHz. Below 16MHz devices may be guaranteed by design rather than tested. Refer to PCI Specification.

Figure 11. FWH Interface AC Signal Timing Waveforms

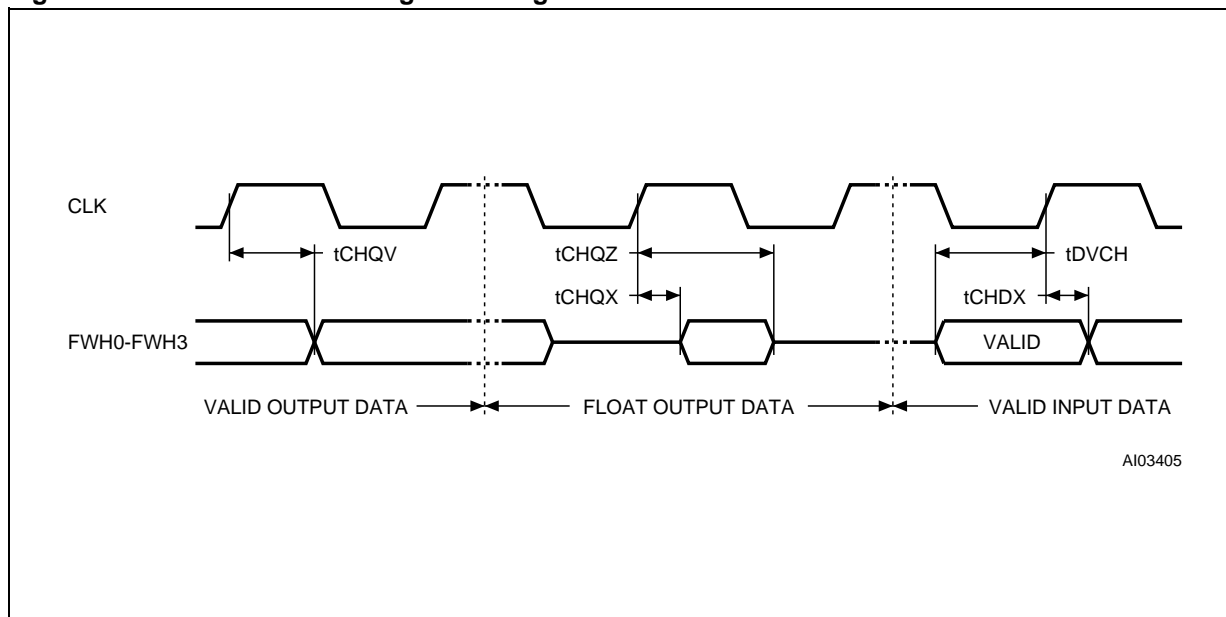


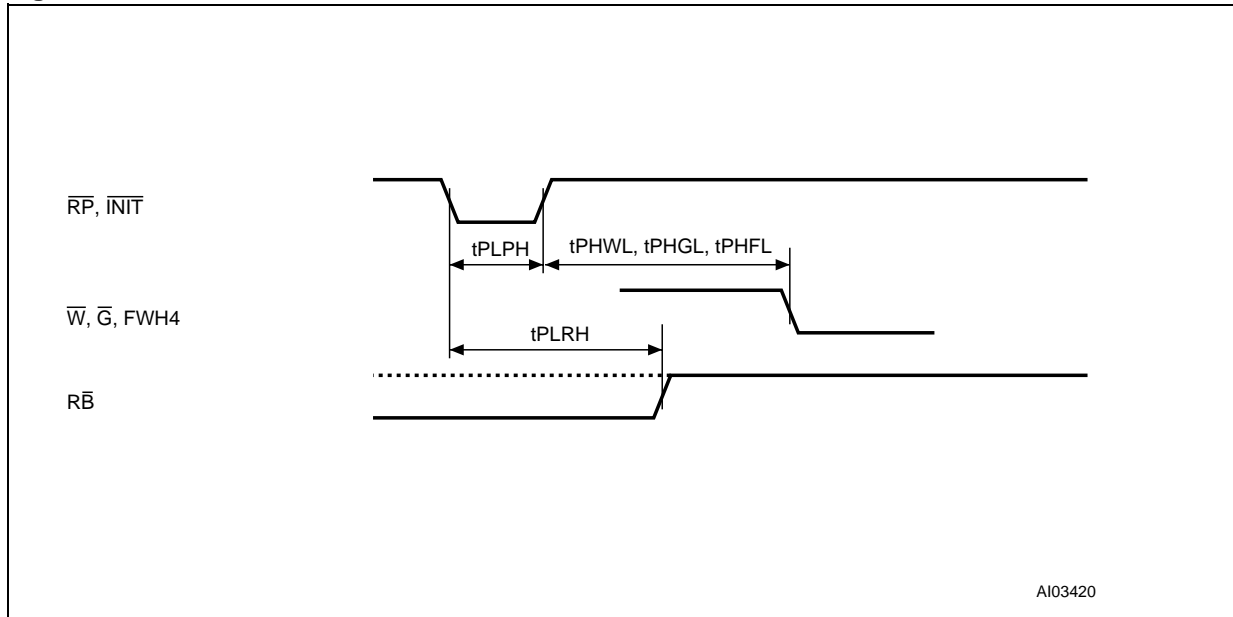
Table 23. FWH Interface AC Signal Timing Characteristics

Symbol	PCI Symbol	Parameter	Test Condition		Value	Unit
t_{CHQV}	t_{VAL}	CLK to Data Out		Min	2	ns
				Max	11	ns
$t_{CHQX}^{(1)}$	t_{ON}	CLK to Active (Float to Active Delay)		Min	2	ns
t_{CHQZ}	t_{OFF}	CLK to Inactive (Active to Float Delay)		Max	28	ns
t_{AVCH} t_{DVCH}	t_{SU}	Input Set-up Time ⁽²⁾		Min	7	ns
t_{CHAX} t_{CHDX}	t_H	Input Hold Time ⁽²⁾		Min	0	ns

Note: 1. The timing measurements for Active/Float transitions are defined when the current through the pin equals the leakage current specification.

2. Applies to all inputs except CLK.

Figure 12. Reset AC Waveforms



A103420

Table 24. Reset AC Characteristics

Symbol	Parameter	Test Condition		Value	Unit	
t_{PLPH}	\overline{RP} or \overline{INIT} Reset Pulse Width		Min	100	ns	
t_{PLRH}	\overline{RP} or \overline{INIT} Low to Reset	Program/Erase Inactive	Max	100	ns	
		Program/Erase Active	Max	30	μ s	
	\overline{RP} or \overline{INIT} Slew Rate ⁽¹⁾	Rising edge only	Min	50	mV/ns	
t_{PHFL}	\overline{RP} or \overline{INIT} High to FWH4 Low	FWH Interface only		Min	30	μ s
t_{PHWL} t_{PHGL}	\overline{RP} High to Write Enable or Output Enable Low	A/A Mux Interface only		Min	50	μ s

Note: 1. See Chapter 4 of the PCI Specification.

Figure 13. A/A Mux Interface Read AC Waveforms

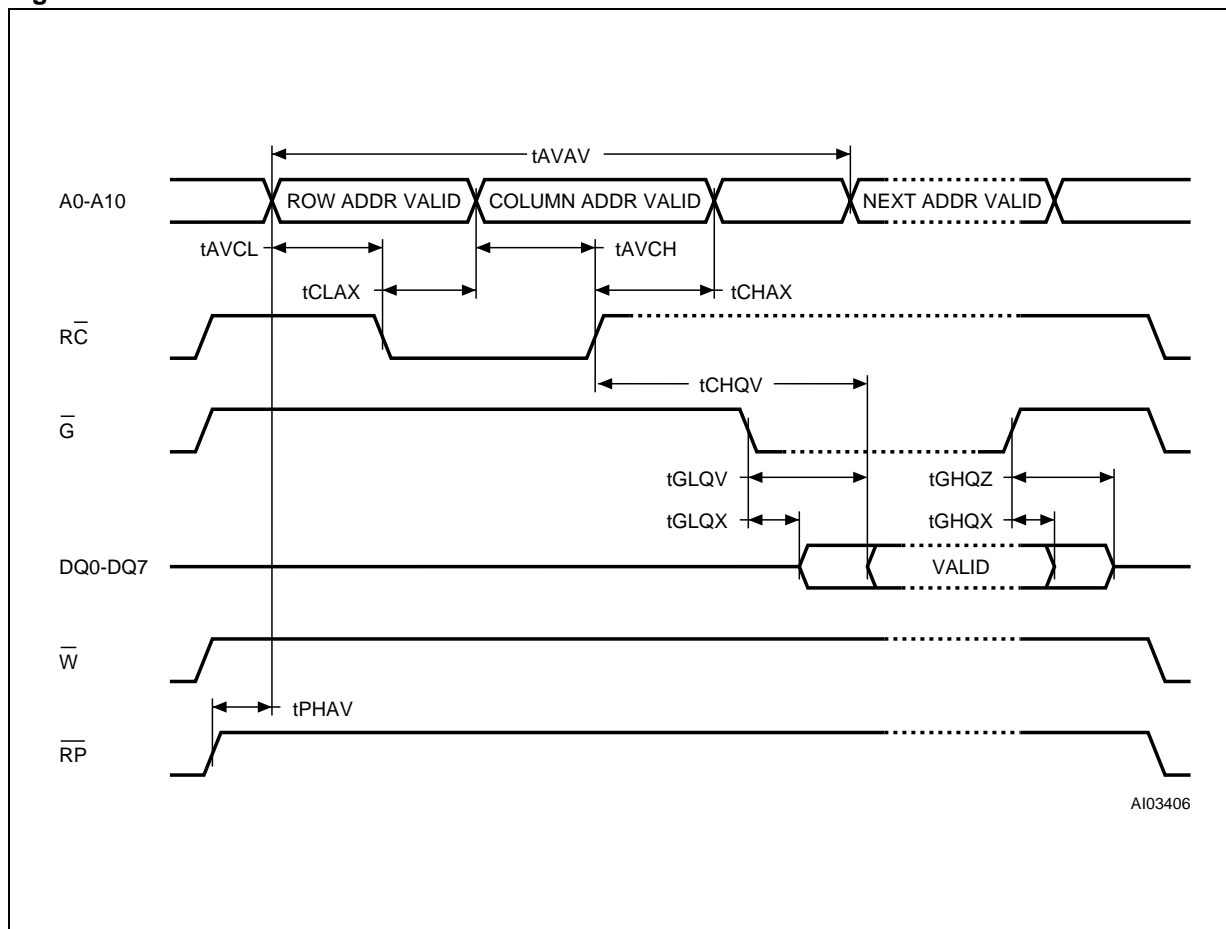


Table 25. A/A Mux Interface Read AC Characteristics

Symbol	Parameter	Test Condition	Value	Unit
t_{AVAV}	Read Cycle Time	Min	250	ns
t_{AVCL}	Row Address Valid to \overline{RC} Low	Min	50	ns
t_{CLAX}	\overline{RC} Low to Row Address Transition	Min	50	ns
t_{AVCH}	Column Address Valid to \overline{RC} high	Min	50	ns
t_{CHAX}	\overline{RC} High to Column Address Transition	Min	50	ns
$t_{CHQV}^{(1)}$	\overline{RC} High to Output Valid	Max	150	ns
$t_{GLQV}^{(1)}$	Output Enable Low to Output Valid	Max	50	ns
t_{PHAV}	\overline{RP} High to Row Address Valid	Min	1	μ s
t_{GLQX}	Output Enable Low to Output Transition	Min	0	ns
t_{GHQZ}	Output Enable High to Output Hi-Z	Max	50	ns
t_{GHQX}	Output Hold from Output Enable High	Min	0	ns

Note: 1. \overline{G} may be delayed up to $t_{CHQV} - t_{GLQV}$ after the rising edge of \overline{RC} without impact on t_{CHQV} .

Figure 14. A/A Mux Interface Write AC Waveforms

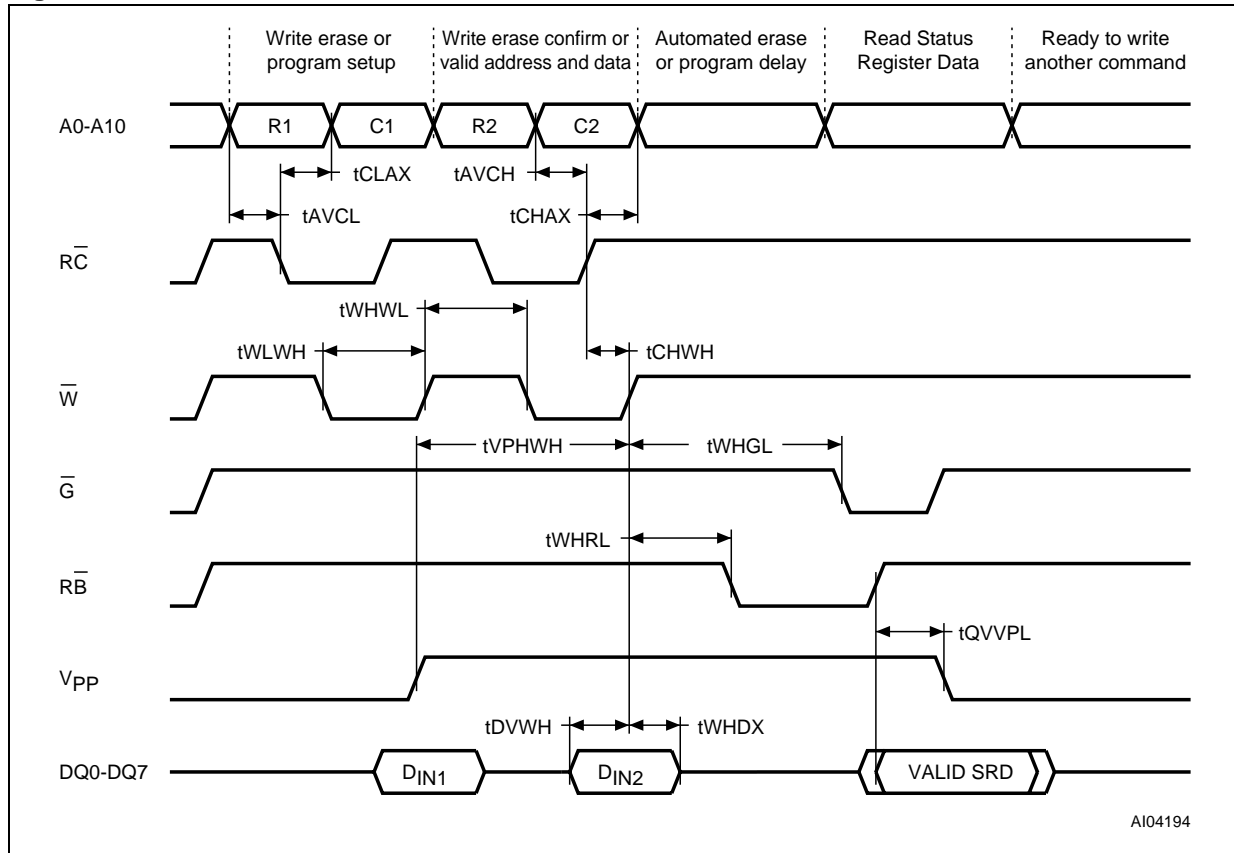


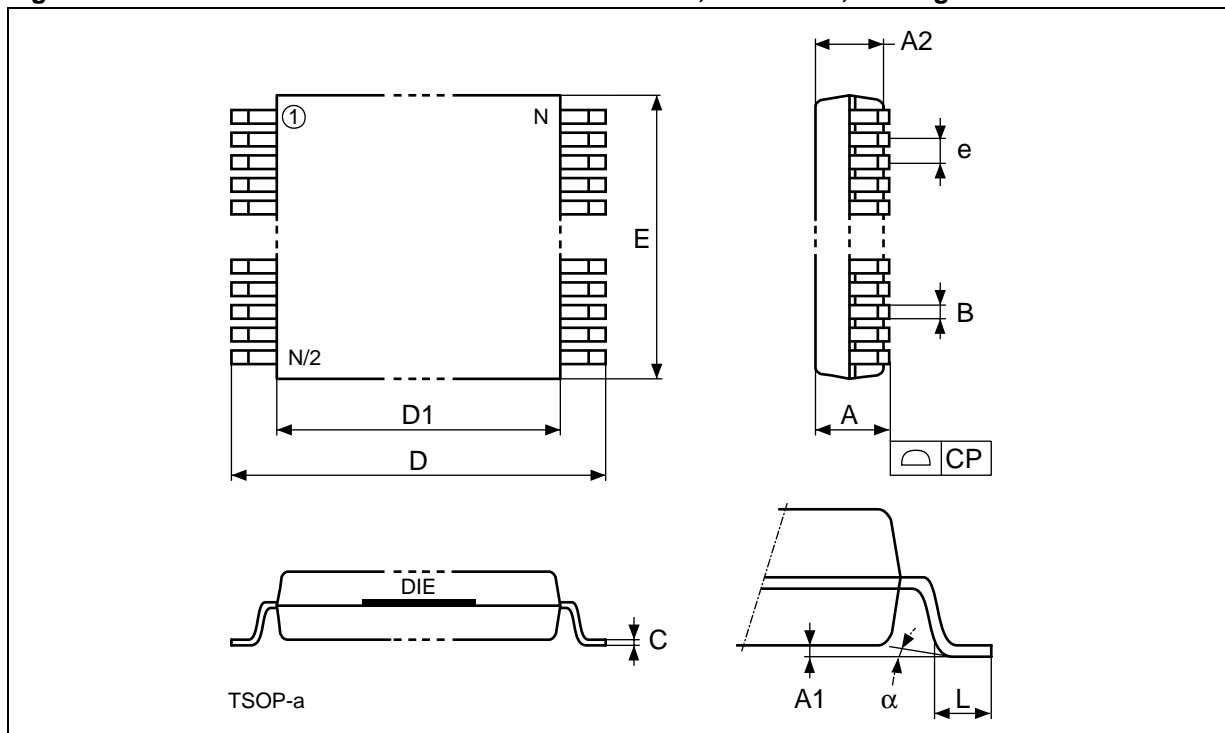
Table 26. A/A Mux Interface Write AC Characteristics

Symbol	Parameter	Test Condition	Value	Unit
t _{WLWH}	Write Enable Low to Write Enable High	Min	100	ns
t _{DVWH}	Data Valid to Write Enable High	Min	50	ns
t _{WHDX}	Write Enable High to Data Transition	Min	5	ns
t _{AVCL}	Row Address Valid to RC Low	Min	50	ns
t _{CLAX}	RC Low to Row Address Transition	Min	50	ns
t _{AVCH}	Column Address Valid to RC High	Min	50	ns
t _{CHAX}	RC High to Column Address Transition	Min	50	ns
t _{WHWL}	Write Enable High to Write Enable Low	Min	100	ns
t _{CHWH}	RC High to Write Enable High	Min	50	ns
t _{VPHWH} ⁽¹⁾	V _{PP} High to Write Enable High	Min	100	ns
t _{WHGL}	Write Enable High to Output Enable Low	Min	30	ns
t _{WHRL}	Write Enable High to RB Low	Min	0	ns
t _{QVPL} ^(1,2)	Output Valid, RB High to V _{PP} Low	Min	0	ns

Note: 1. Sampled only, not 100% tested.
 2. Applicable if V_{PP} is seen as a logic input (V_{PP} < 3.6V).

PACKAGE MECHANICAL

Figure 15. TSOP40 – 40 lead Plastic Thin Small Outline, 10x20 mm, Package Outline



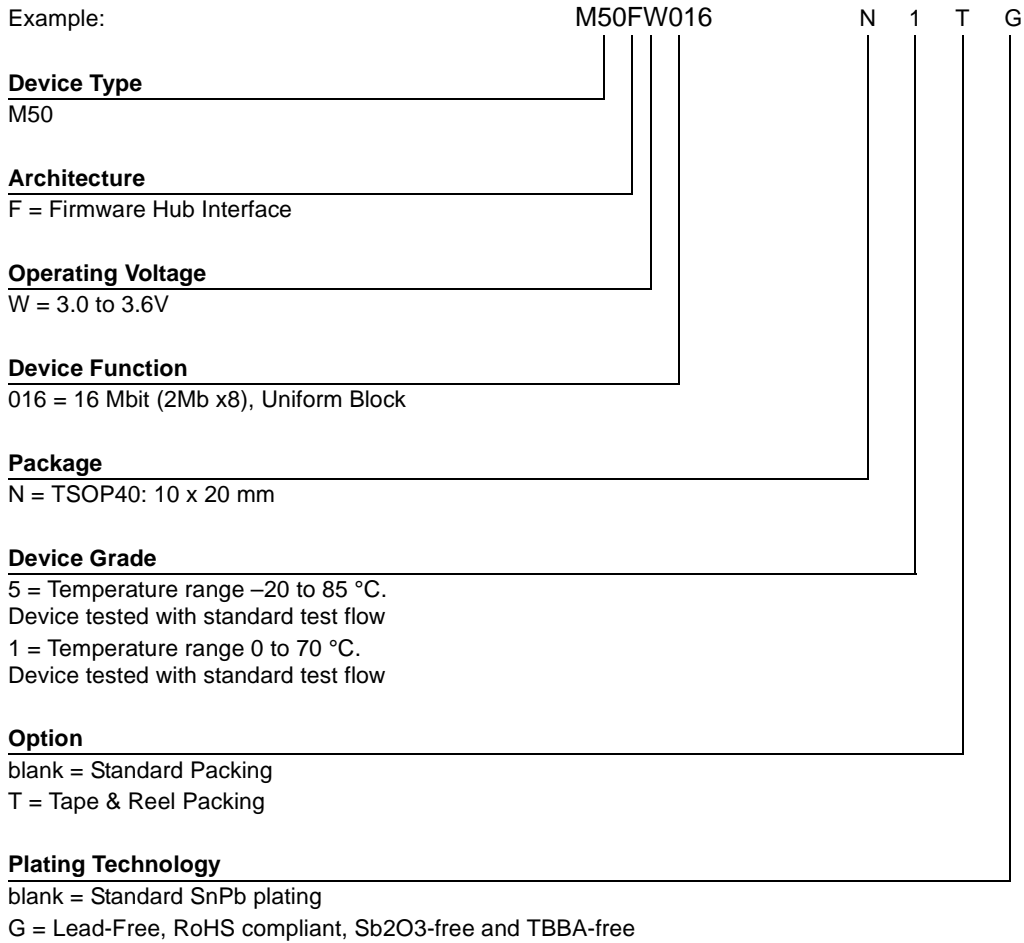
Note: Drawing is not to scale.

Table 27. TSOP40 – 40 lead Plastic Thin Small Outline, 10x20 mm, Package Mechanical Data

Symbol	millimeters			inches		
	Typ	Min	Max	Typ	Min	Max
A			1.200			0.0472
A1		0.050	0.150		0.0020	0.0059
A2		0.950	1.050		0.0374	0.0413
B		0.170	0.270		0.0067	0.0106
C		0.100	0.210		0.0039	0.0083
CP			0.100			0.0039
D		19.800	20.200		0.7795	0.7953
D1		18.300	18.500		0.7205	0.7283
e	0.500	–	–	0.0197	–	–
E		9.900	10.100		0.3898	0.3976
L		0.500	0.700		0.0197	0.0276
alpha		0°	5°		0°	5°
N		40			40	

PART NUMBERING

Table 28. Ordering Information Scheme

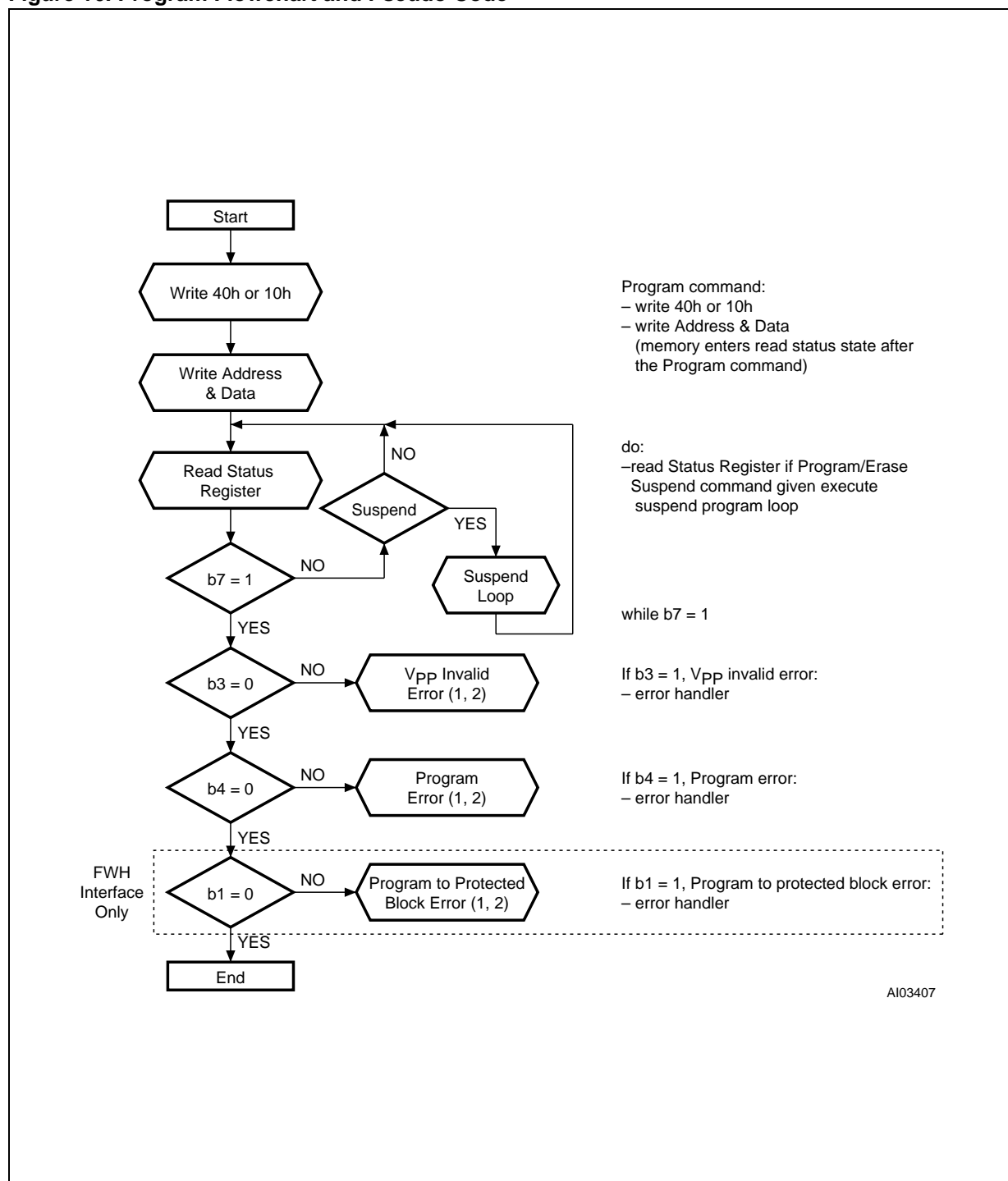


Devices are shipped from the factory with the memory content bits erased to '1'.
 For a list of available options (Speed, Package, etc.) or for further information on any aspect of this device,
 please contact the ST Sales Office nearest to you.



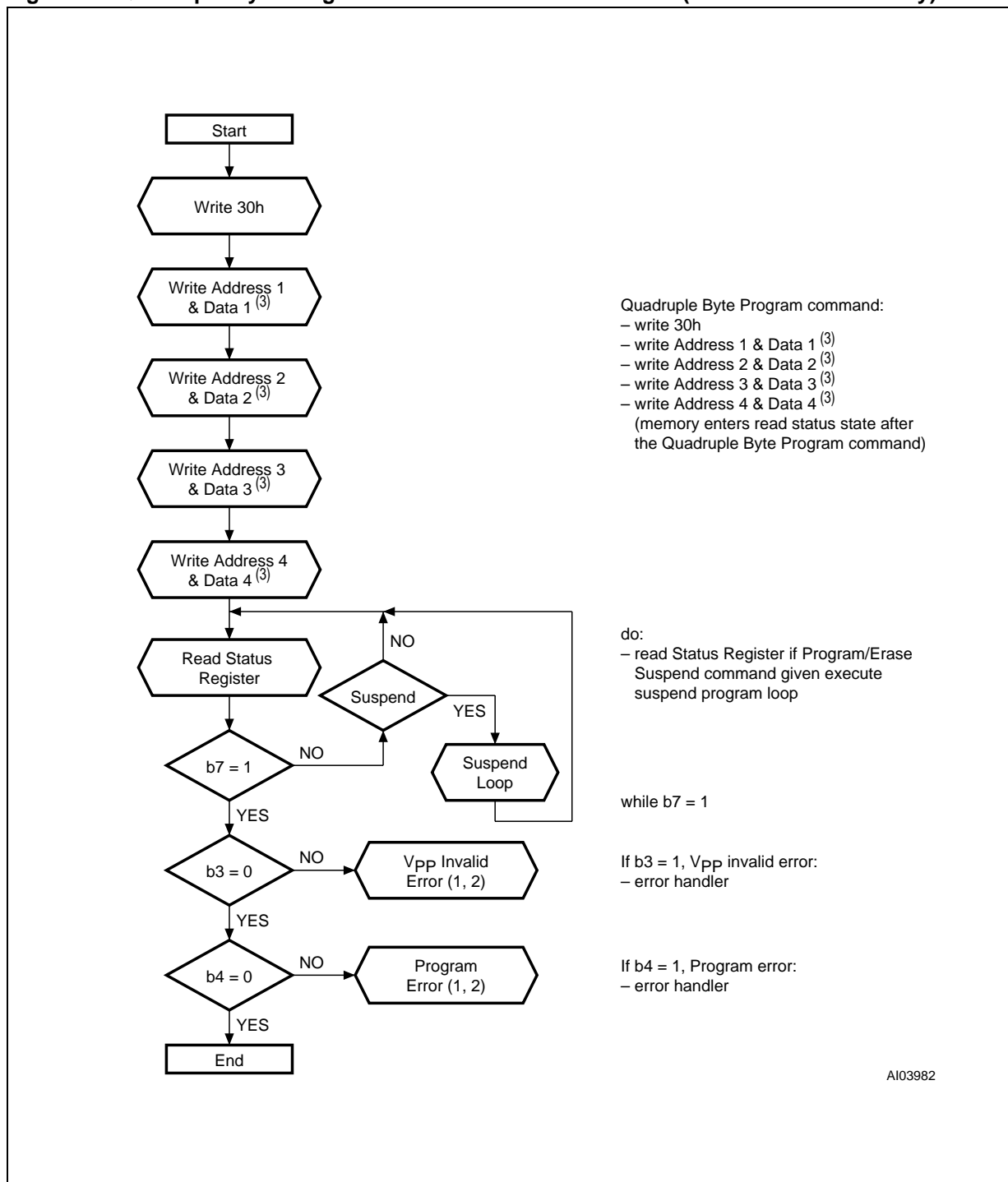
APPENDIX A. FLOWCHARTS AND PSEUDO CODES

Figure 16. Program Flowchart and Pseudo Code



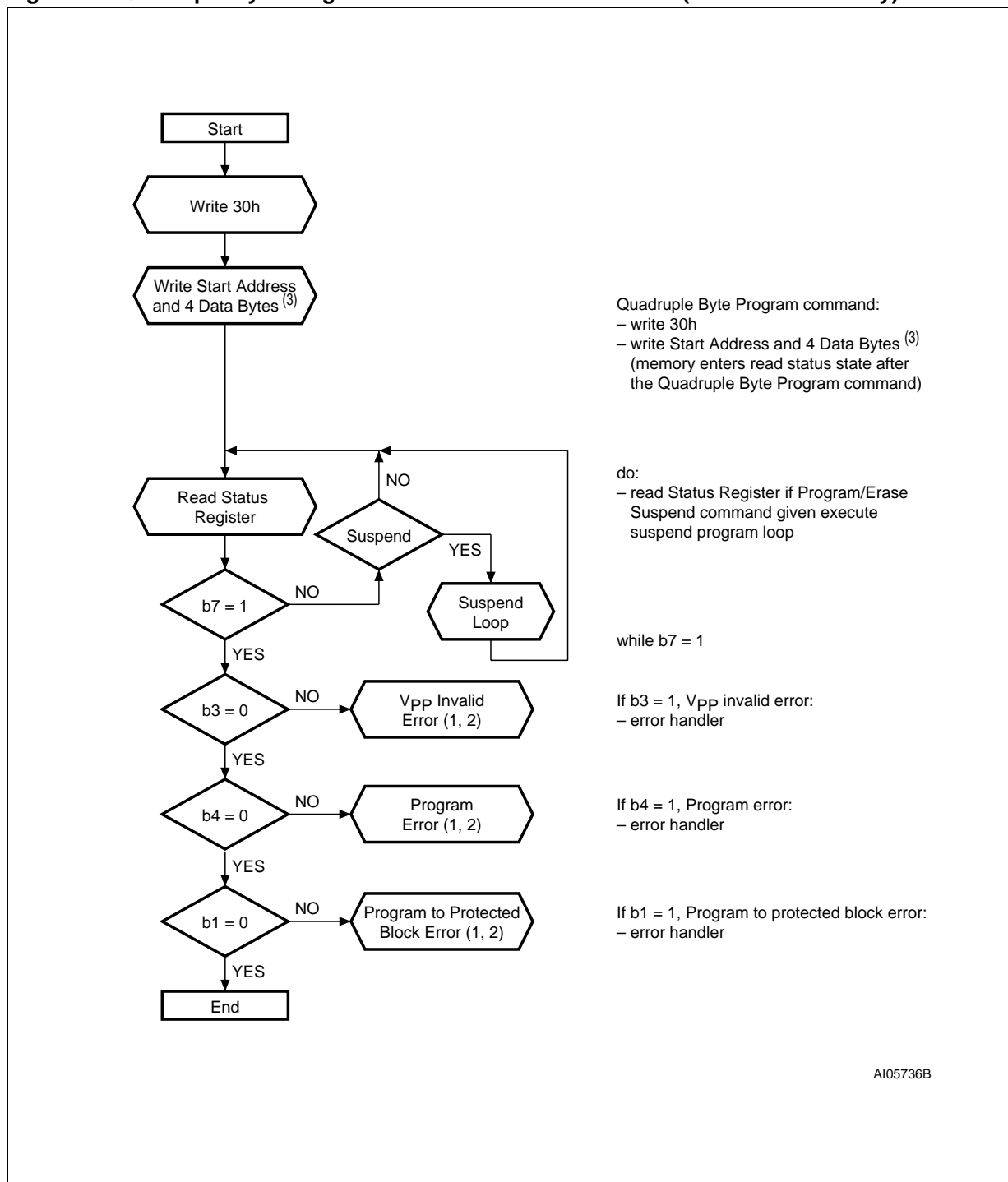
Note: 1. A Status check of b1 (Protected Block), b3 (V_{PP} invalid) and b4 (Program Error) can be made after each Program operation by following the correct command sequence.
 2. If an error is found, the Status Register must be cleared before further Program/Erase Controller operations.

Figure 17. Quadruple Byte Program Flowchart and Pseudo Code (A/A Mux Interface Only)



Note: 1. A Status check of b3 (Vpp invalid) and b4 (Program Error) can be made after each Program operation by following the correct command sequence.
 2. If an error is found, the Status Register must be cleared before further Program/Erase Controller operations.
 3. Address 1, Address 2, Address 3 and Address 4 must be consecutive addresses differing only for address bits A0 and A1.

Figure 18. Quadruple Byte Program Flowchart and Pseudo Code (FWH Interface Only)



Note: 1. A Status check of b3 (V_{PP} invalid) and b4 (Program Error) can be made after each Program operation by following the correct command sequence.

2. If an error is found, the Status Register must be cleared before further Program/Erase Controller operations.

3. A1 and A0 are treated as Don't Care. Starting at the Start Address, the first data byte is programmed at the address that has A1-A0 at 00, the second at the address that has A1-A0 at 01, the third at the address that has A1-A0 at 10, and the fourth at the address that has A1-A0 at 11.

Figure 19. Program Suspend and Resume Flowchart, and Pseudo Code

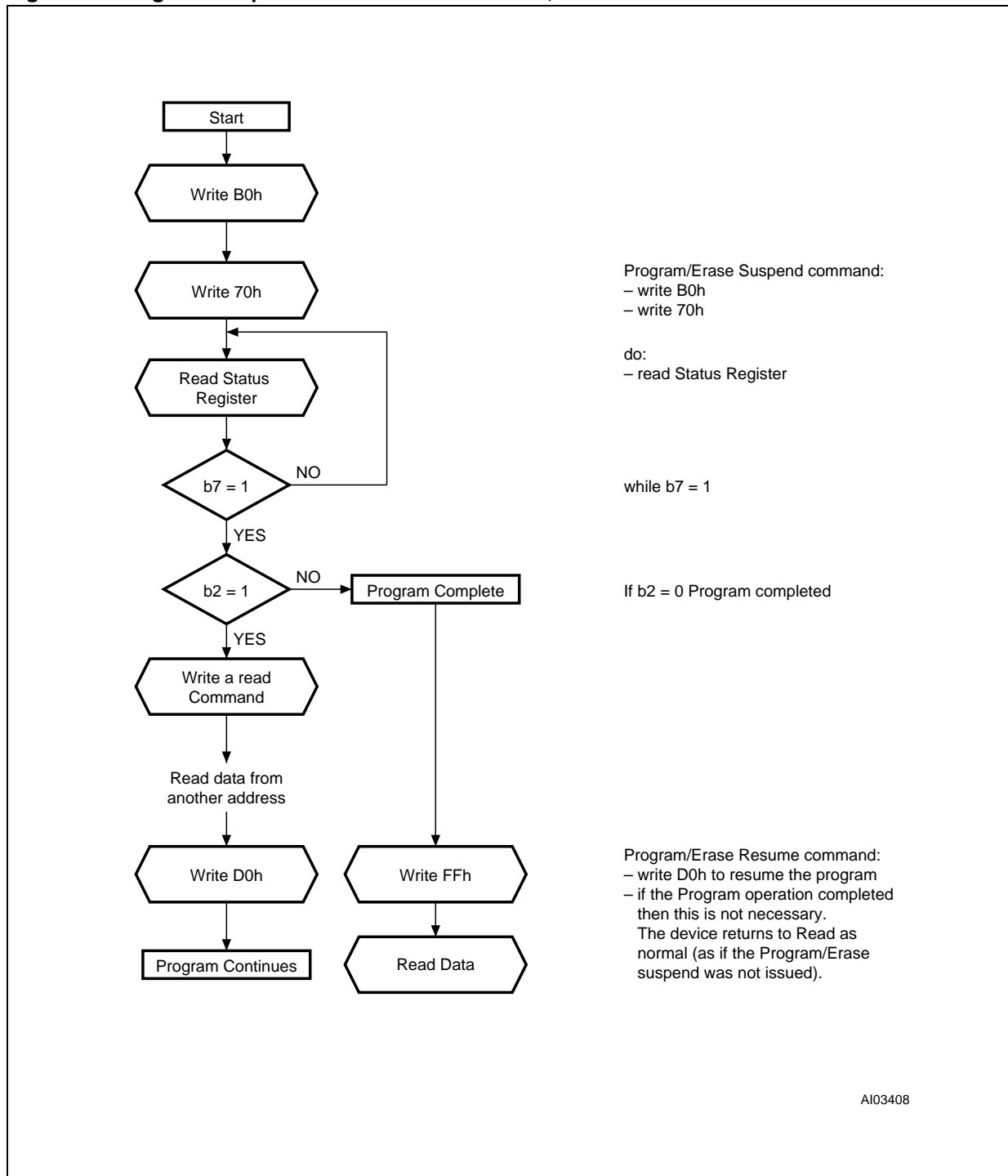
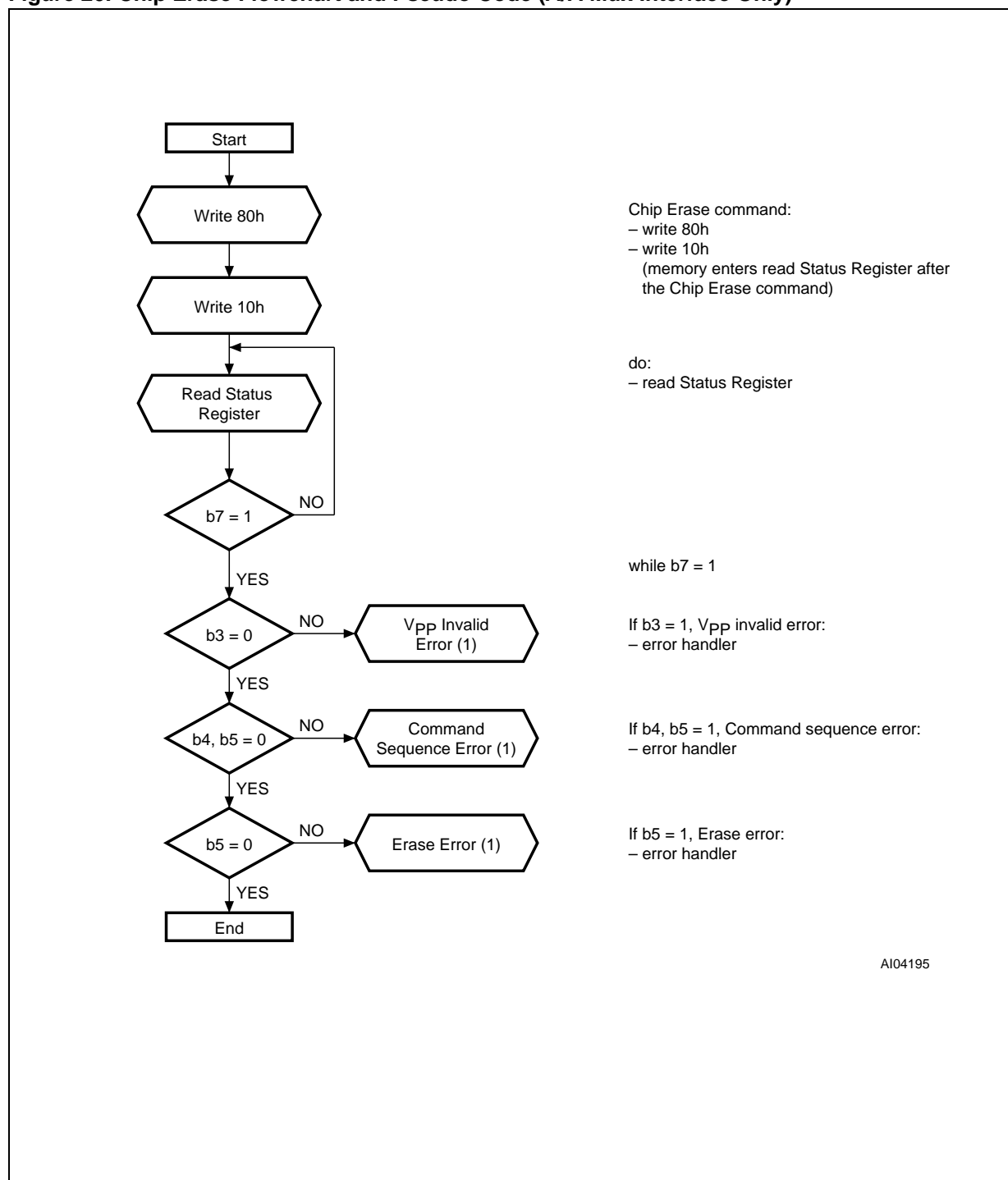
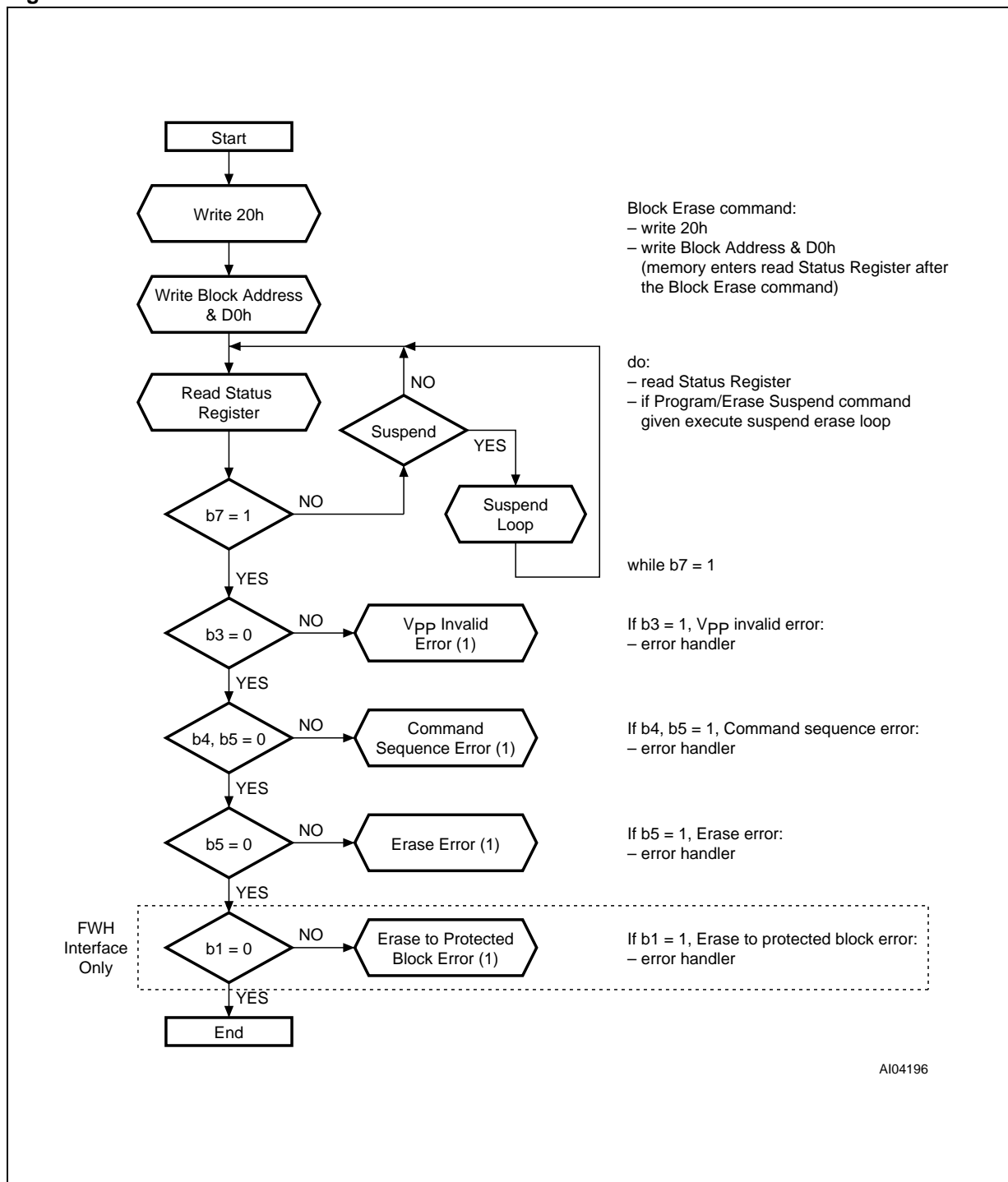


Figure 20. Chip Erase Flowchart and Pseudo Code (A/A Mux Interface Only)



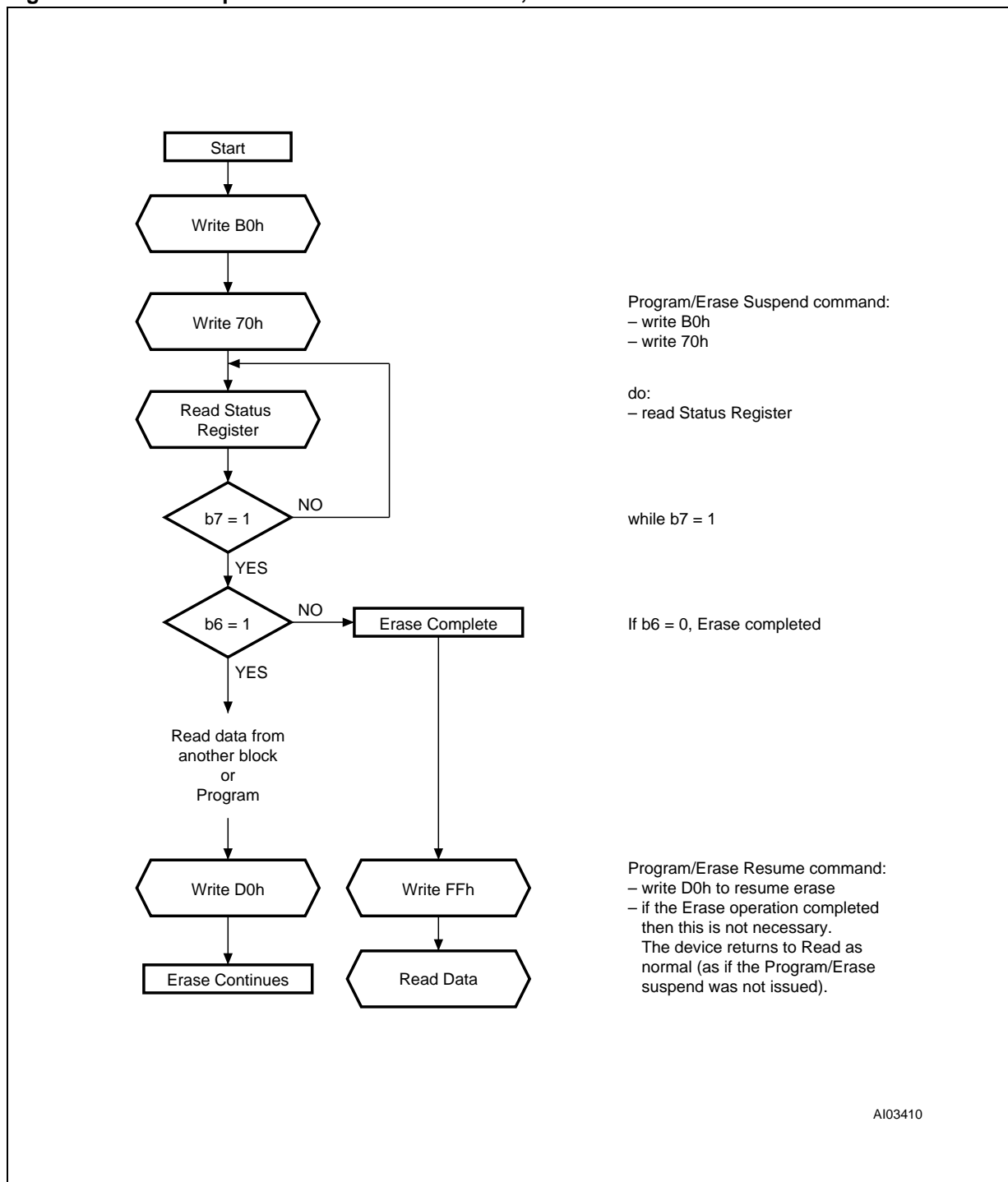
Note: 1. If an error is found, the Status Register must be cleared before further Program/Erase Controller operations.

Figure 21. Block Erase Flowchart and Pseudo Code



Note: 1. If an error is found, the Status Register must be cleared before further Program/Erase Controller operations.

Figure 22. Erase Suspend and Resume Flowchart, and Pseudo Code



REVISION HISTORY

Table 29. Document Revision History

Date	Version	Revision Details
May 2001	-01	First Issue
October 2001	-02	Added LPC Bus Read and Bus Write cycles Added FWH 64 and 128 byte Bus Reading
21-Feb-2002	-03	Removed LPC Bus Read and Bus Write cycles
01-Mar-2002	-04	RFU pins must be left disconnected
30-Jul-2002	-05	Quadruple Byte Mode changed to 4/16/128 bytes
13-Feb-2003	5.1	Revision numbering modified: a minor revision will be indicated by incrementing the digit after the dot, and a major revision, by incrementing the digit before the dot (revision version 05 equals 5.0) Datasheet promoted from Product Preview to Preliminary Data status.
12-Jul-2004	6.0	Document imported in new template and reformatted. Temperature Range ordering information replaced by Device Grade, Standard packing option added and Plating Technology added to Table 28., Ordering Information Scheme . T_{LEAD} parameter added to Table 16., Absolute Maximum Ratings and T_{BIAS} parameter removed. Pin 39 changed from V_{CC} to RFU in Figure 4., TSOP Connections .

Information furnished is believed to be accurate and reliable. However, STMicroelectronics assumes no responsibility for the consequences of use of such information nor for any infringement of patents or other rights of third parties which may result from its use. No license is granted by implication or otherwise under any patent or patent rights of STMicroelectronics. Specifications mentioned in this publication are subject to change without notice. This publication supersedes and replaces all information previously supplied. STMicroelectronics products are not authorized for use as critical components in life support devices or systems without express written approval of STMicroelectronics.

The ST logo is a registered trademark of STMicroelectronics.

All other names are the property of their respective owners.

© 2004 STMicroelectronics - All rights reserved



STMicroelectronics GROUP OF COMPANIES

Australia - Belgium - Brazil - Canada - China - Czech Republic - Finland - France - Germany -
Hong Kong - India - Israel - Italy - Japan - Malaysia - Malta - Morocco - Singapore -
Spain - Sweden - Switzerland - United Kingdom - United States


www.st.com

Looking for pricing, stock, or lifecycle information?

Click below to explore more details on WIN SOURCE:

-  [View M50FW016N5G on WIN SOURCE](#)
-  [STMicroelectronics Information](#)

Optimize Your Supply Chain with WIN SOURCE Solutions

-  Global Sourcing Solution
-  Obsolete Management
-  Cost Control Management
-  Shortage Management
-  Alternative Solution
-  Excess Inventory Management