



**THE DATASHEET OF
LX5586LL-TR**



5.15–5.85GHz 802.11ac Front End Module

Description

The LX5586 is a complete integrated 5GHz Front-End Module (FEM) for an IEEE 802.11ac system. It includes a highly linear 5GHz Power Amplifier (PA) with power detector, Low Noise Amplifier (LNA) with bypass capability, and SPDT antenna switch. This highly integrated FEM only requires one bypass cap thus reducing system footprint, bill of materials, and manufacturing cost.

The LX5586 is available in a 16-pin low profile 2.5x2.5x0.4mm QFN Package.

Features

- Single Supply Voltage 3V to 4.6V
- Integrated 5GHz PA, LNA, and SPDT Tx/Rx Switch
- POUT = 17dBm (typical) at -35dB EVM (256QAM/80MHz)
- Bypassable low noise figure LNA
- Small Footprint: 2.5 x 2.5mm²
- Low Profile: 0.4mm max
- RoHS Compliant & Halogen Free

Applications

- Smartphones
- Tablets
- Access Points
- Mobile Devices
- Notebooks
- Gaming

Block Diagram

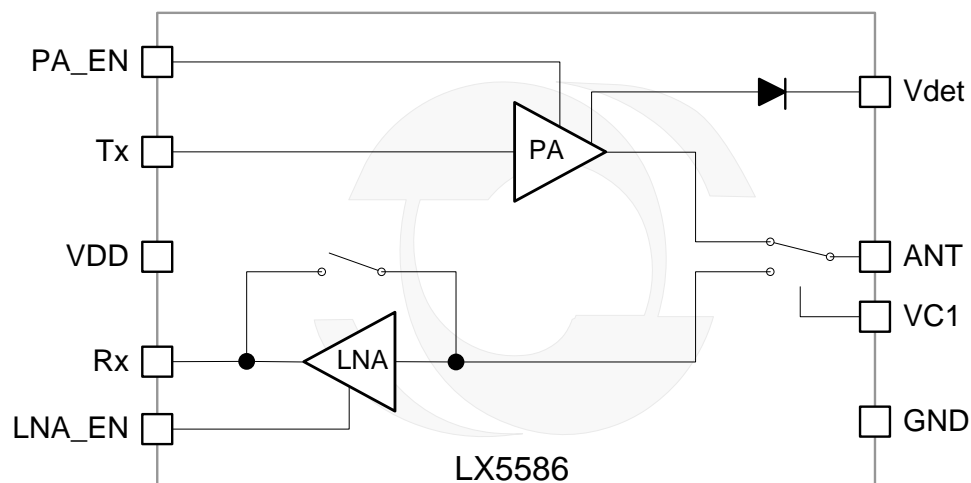
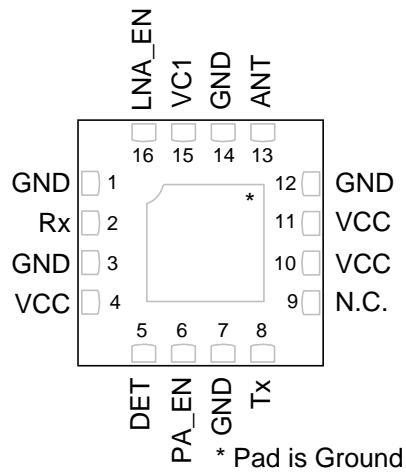


Figure 1 - Functional Block Diagram

Pin Configuration



Ordering Information

| Ambient Temperature | Type | Package | Part Number | Packaging Type |
|---------------------|---|---------------------------|--------------|----------------|
| -40°C to 85°C | RoHS2 compliant, Pb-free NiPdAu lead finish | QFN 2.5x2.5x0.4 16L | LX5586LL | Bulk / Tube |
| | | | LX5586LL -TR | Tape and Reel |



Microsemi Corporate Headquarters
One Enterprise, Aliso Viejo CA 92656 USA
Within the USA: +1(949) 380-6100
Sales: +1 (949) 380-6136
Fax: +1 (949) 215-4996

Microsemi Corporation (NASDAQ: MSCC) offers a comprehensive portfolio of semiconductor solutions for: aerospace, defense and security; enterprise and communications; and industrial and alternative energy markets. Products include high-performance, high-reliability analog and RF devices, mixed signal and RF integrated circuits, customizable SoCs, FPGAs, and complete subsystems. Microsemi is headquartered in Aliso Viejo, Calif. Learn more at www.microsemi.com.

© 2013 Microsemi Corporation. All rights reserved. Microsemi and the Microsemi logo are trademarks of Microsemi Corporation. All other trademarks and service marks are the property of their respective owners.

LX5586 Rev. 4.3
(Abridged)

Looking for pricing, stock, or lifecycle information?

Click below to explore more details on WIN SOURCE:

-  [View LX5586LL-TR on WIN SOURCE](#)
-  [Microchip Technology](#) Information

Optimize Your Supply Chain with WIN SOURCE Solutions

-  Global Sourcing Solution
-  Obsolete Management
-  Cost Control Management
-  Shortage Management
-  Alternative Solution
-  Excess Inventory Management