



**THE DATASHEET OF  
LT6700CS6-1#TRMPBF**



# Micropower, Low Voltage, Dual Comparator with 400mV Reference

## FEATURES

- Internal 400mV Reference
- Total Threshold Error:  $\pm 1.25\%$  Max at 25°C
- Inputs and Outputs Operate to 36V
- Wide Supply Range: 1.4V to 18V
- Specified for -55°C to 125°C Temperature Range
- Low Quiescent Current: 6.5 $\mu$ A Typ at 5V
- Internal Hysteresis: 6.5mV Typ
- Low Input Bias Current:  $\pm 10$ nA Max
- Over-The-Top® Input also Includes Ground
- Open-Collector Outputs Allow Level Translation
- Choice of Input Polarities: LT6700-1/LT6700-2/LT6700-3/LT6700HV-1/LT6700HV-2/LT6700HV-3
- Available in Low Profile (1mm) SOT-23 (ThinSOT™) and 2mm  $\times$  3mm DFN Packages

## APPLICATIONS

- Battery-Powered System Monitoring
- Threshold Detectors
- Window Comparators
- Relay Driving
- Industrial Control Systems
- Handheld Instruments
- Automotive Monitor and Controls

## DESCRIPTION

The **LT®6700/LT6700HV** combine two micropower, low voltage comparators with a 400mV reference in a 6-lead SOT-23 or tiny DFN package. Operating with supplies from 1.4V up to 18V, these devices draw only 6.5 $\mu$ A, making them ideal for low voltage system monitoring. Hysteresis is included in the comparators, easing design requirements to insure stable output operation.

The comparators each have one input available externally; the other inputs are connected internally to the reference. The comparator outputs are open collector and the output load can be referred to any voltage up to 18V (36V for LT6700HV), independent of supply voltage. The output stage sinking capability is guaranteed to be greater than 5mA over temperature.

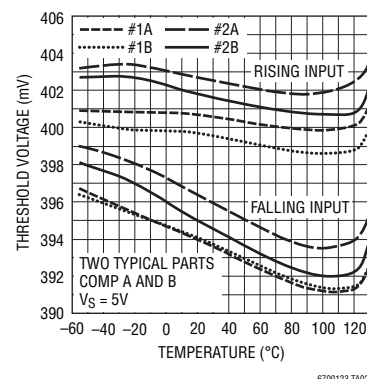
The three versions of this part differ by the polarity of the available comparator inputs. The LT6700-1/LT6700HV-1 has one inverting input and one noninverting input, making it suitable for use as a window comparator. The LT6700-2/LT6700HV-2 has two inverting inputs and the LT6700-3/LT6700HV-3 has two noninverting inputs. All versions are offered in commercial, industrial and automotive temperature ranges.

LT, LT, LTC, LTM, Linear Technology, the Linear logo and Over-The-Top are registered trademarks and ThinSOT and PowerPath are trademarks of Linear Technology Corporation. All other trademarks are the property of their respective owners.

## TYPICAL APPLICATION



**Comparator Thresholds vs Temperature**



# LT6700/LT6700HV

## ABSOLUTE MAXIMUM RATINGS (Note 1)

|  |                       |  |                |
|--|-----------------------|--|----------------|
| Total Supply Voltage ( $V_S$ to GND) .....         | 18.5V                 | Specified Temperature Range (Note 5)               |                |
| Input Voltage (+IN, -IN)                           |                       | LT6700CS6/LT6700HVCS6/<br>LT6700DCB-1/-2/-3 .....  | 0°C to 70°C    |
| LT6700 (Note 3) .....                              | 18.5V to (GND - 0.3V) | LT6700IS6/LT6700HVIS6/<br>LT6700IDCB-1/-2/-3 ..... | -40°C to 85°C  |
| LT6700HV (Note 3) .....                            | 40V to (GND - 0.3V)   | LT6700HS6/LT6700HVHS6/<br>LT6700HDCB-1/-2/-3 ..... | -40°C to 125°C |
| LT6700 Output Voltage (OUT) .....                  | 18.5V to (GND - 0.3V) | LT6700MPDCB/<br>LT6700PMS6-1/-2/-3 .....           | -55°C to 125°C |
| LT6700HV Output Voltage (OUT) ...                  | 40V to (GND - 0.3V)   | Maximum Junction Temperature                       |                |
| Output Short-Circuit Duration (Note 2) .....       | Indefinite            | S6 Package .....                                   | 150°C          |
| Input Current (Note 3) .....                       | -10mA                 | DCB6 Package .....                                 | 150°C          |
| Operating Temperature Range (Note 4)               |                       | Storage Temperature Range                          |                |
| LT6700CS6/LT6700HVCS6/<br>LT6700DCB-1/-2/-3 .....  | -40°C to 85°C         | S6 Package .....                                   | -65°C to 150°C |
| LT6700IS6/LT6700HVIS6/<br>LT6700IDCB-1/-2/-3 ..... | -40°C to 85°C         | DCB6 Package .....                                 | -65°C to 150°C |
| LT6700HS6/LT6700HVHS6/<br>LT6700HDCB-1/-2/-3 ..... | -40°C to 125°C        | Lead Temperature, TSOT-23 (Soldering, 10 sec)...   | 300°C          |
| LT6700MPDCB/<br>LT6700MPS6-1/-2/-3 .....           | -55°C to 125°C        |  |                |

## PIN CONFIGURATION

|  |  |  |
|--|--|--|
| <p>LT6700-1<br/>LT6700HV-1</p> <p>TOP VIEW</p> <p>S6 PACKAGE<br/>6-LEAD PLASTIC TSOT-23<br/><math>T_{JMAX} = 150^{\circ}C</math>, <math>\theta_{JA} = 230^{\circ}C/W</math></p>  | <p>LT6700-2<br/>LT6700HV-2</p> <p>TOP VIEW</p> <p>S6 PACKAGE<br/>6-LEAD PLASTIC TSOT-23<br/><math>T_{JMAX} = 150^{\circ}C</math>, <math>\theta_{JA} = 230^{\circ}C/W</math></p>  | <p>LT6700-3<br/>LT6700HV-3</p> <p>TOP VIEW</p> <p>S6 PACKAGE<br/>6-LEAD PLASTIC TSOT-23<br/><math>T_{JMAX} = 150^{\circ}C</math>, <math>\theta_{JA} = 230^{\circ}C/W</math></p>  |
| <p>LT6700-1</p> <p>TOP VIEW</p> <p>DCB6 PACKAGE<br/>6-LEAD (2mm x 3mm) PLASTIC DFN<br/><math>T_{JMAX} = 125^{\circ}C</math>, <math>\theta_{JA} = 64^{\circ}C/W</math><br/>SOLDERED EXPOSED PAD (PIN 7)<br/>INTERNALLY CONNECTED TO GND<br/>(PCB CONNECTION OPTIONAL)</p> | <p>LT6700-2</p> <p>TOP VIEW</p> <p>DCB6 PACKAGE<br/>6-LEAD (2mm x 3mm) PLASTIC DFN<br/><math>T_{JMAX} = 125^{\circ}C</math>, <math>\theta_{JA} = 64^{\circ}C/W</math><br/>SOLDERED EXPOSED PAD (PIN 7)<br/>INTERNALLY CONNECTED TO GND<br/>(PCB CONNECTION OPTIONAL)</p> | <p>LT6700-3</p> <p>TOP VIEW</p> <p>DCB6 PACKAGE<br/>6-LEAD (2mm x 3mm) PLASTIC DFN<br/><math>T_{JMAX} = 125^{\circ}C</math>, <math>\theta_{JA} = 64^{\circ}C/W</math><br/>SOLDERED EXPOSED PAD (PIN 7)<br/>INTERNALLY CONNECTED TO GND<br/>(PCB CONNECTION OPTIONAL)</p> |

## ORDER INFORMATION

### Lead Free Finish

| TAPE AND REEL (MINI) | TAPE AND REEL       | PART MARKING* | PACKAGE DESCRIPTION            | SPECIFIED TEMPERATURE RANGE |
|----------------------|---------------------|---------------|--------------------------------|-----------------------------|
| LT6700CS6-1#TRMPBF   | LT6700CS6-1#TRPBF   | LTK7          | 6-Lead Plastic TSOT-23         | 0°C to 70°C                 |
| LT6700HVCS6-1#TRMPBF | LT6700HVCS6-1#TRPBF | LTK7          | 6-Lead Plastic TSOT-23         | 0°C to 70°C                 |
| LT6700IS6-1#TRMPBF   | LT6700IS6-1#TRPBF   | LTK7          | 6-Lead Plastic TSOT-23         | -40°C to 85°C               |
| LT6700HVIS6-1#TRMPBF | LT6700HVIS6-1#TRPBF | LTK7          | 6-Lead Plastic TSOT-23         | -40°C to 85°C               |
| LT6700HS6-1#TRMPBF   | LT6700HS6-1#TRPBF   | LTK7          | 6-Lead Plastic TSOT-23         | -40°C to 125°C              |
| LT6700HVHS6-1#TRMPBF | LT6700HVHS6-1#TRPBF | LTK7          | 6-Lead Plastic TSOT-23         | -40°C to 125°C              |
| LT6700MPS6-1#TRMPBF  | LT6700MPS6-1#TRPBF  | LTK7          | 6-Lead Plastic TSOT-23         | -55°C to 125°C              |
| LT6700CS6-2#TRMPBF   | LT6700CS6-2#TRPBF   | LTADL         | 6-Lead Plastic TSOT-23         | 0°C to 70°C                 |
| LT6700HVCS6-2#TRMPBF | LT6700HVCS6-2#TRPBF | LTADL         | 6-Lead Plastic TSOT-23         | 0°C to 70°C                 |
| LT6700IS6-2#TRMPBF   | LT6700IS6-2#TRPBF   | LTADL         | 6-Lead Plastic TSOT-23         | -40°C to 85°C               |
| LT6700HVIS6-2#TRMPBF | LT6700HVIS6-2#TRPBF | LTADL         | 6-Lead Plastic TSOT-23         | -40°C to 85°C               |
| LT6700HS6-2#TRMPBF   | LT6700HS6-2#TRPBF   | LTADL         | 6-Lead Plastic TSOT-23         | -40°C to 125°C              |
| LT6700HVHS6-2#TRMPBF | LT6700HVHS6-2#TRPBF | LTADL         | 6-Lead Plastic TSOT-23         | -40°C to 125°C              |
| LT6700MPS6-2#TRMPBF  | LT6700MPS6-2#TRPBF  | LTADL         | 6-Lead Plastic TSOT-23         | -55°C to 125°C              |
| LT6700CS6-3#TRMPBF   | LT6700CS6-3#TRPBF   | LTADM         | 6-Lead Plastic TSOT-23         | 0°C to 70°C                 |
| LT6700HVCS6-3#TRMPBF | LT6700HVCS6-3#TRPBF | LTADM         | 6-Lead Plastic TSOT-23         | 0°C to 70°C                 |
| LT6700IS6-3#TRMPBF   | LT6700IS6-3#TRPBF   | LTADM         | 6-Lead Plastic TSOT-23         | -40°C to 85°C               |
| LT6700HVIS6-3#TRMPBF | LT6700HVIS6-3#TRPBF | LTADM         | 6-Lead Plastic TSOT-23         | -40°C to 85°C               |
| LT6700HS6-3#TRMPBF   | LT6700HS6-3#TRPBF   | LTADM         | 6-Lead Plastic TSOT-23         | -40°C to 125°C              |
| LT6700HVHS6-3#TRMPBF | LT6700HVHS6-3#TRPBF | LTADM         | 6-Lead Plastic TSOT-23         | -40°C to 125°C              |
| LT6700MPS6-3#TRMPBF  | LT6700MPS6-2 #TRPBF | LTADM         | 6-Lead Plastic TSOT-23         | -55°C to 125°C              |
| LT6700CDCB-1#TRMPBF  | LT6700CDCB-1#TRPBF  | LBXW          | 6-Lead (2mm × 3mm) Plastic DFN | 0°C to 70°C                 |
| LT6700IDCB-1#TRMPBF  | LT6700IDCB-1#TRPBF  | LBXW          | 6-Lead (2mm × 3mm) Plastic DFN | -40°C to 85°C               |
| LT6700HDCB-1#TRMPBF  | LT6700HDCB-1#TRPBF  | LBXW          | 6-Lead (2mm × 3mm) Plastic DFN | -40°C to 125°C              |
| LT6700MPDCB-1#TRMPBF | LT6700MPDCB-1#TR    | LDVS          | 6-Lead (2mm × 3mm) Plastic DFN | -55°C to 125°C              |
| LT6700CDCB-2#TRMPBF  | LT6700CDCB-2#TRPBF  | LBXX          | 6-Lead (2mm × 3mm) Plastic DFN | 0°C to 70°C                 |
| LT6700IDCB-2#TRMPBF  | LT6700IDCB-2#TRPBF  | LBXX          | 6-Lead (2mm × 3mm) Plastic DFN | -40°C to 85°C               |
| LT6700HDCB-2#TRMPBF  | LT6700HDCB-2#TRPBF  | LBXX          | 6-Lead (2mm × 3mm) Plastic DFN | -40°C to 125°C              |
| LT6700MPDCB-2#TRMPBF | LT6700MPDCB-2#TR    | LDVT          | 6-Lead (2mm × 3mm) Plastic DFN | -55°C to 125°C              |
| LT6700CDCB-3#TRMPBF  | LT6700CDCB-3#TRPBF  | LBXY          | 6-Lead (2mm × 3mm) Plastic DFN | 0°C to 70°C                 |
| LT6700IDCB-3#TRMPBF  | LT6700IDCB-3#TRPBF  | LBXY          | 6-Lead (2mm × 3mm) Plastic DFN | -40°C to 85°C               |
| LT6700HDCB-3#TRMPBF  | LT6700HDCB-3#TRPBF  | LBXY          | 6-Lead (2mm × 3mm) Plastic DFN | -40°C to 125°C              |
| LT6700MPDCB-3#TRMPBF | LT6700MPDCB-3#TR    | LDVV          | 6-Lead (2mm × 3mm) Plastic DFN | -55°C to 125°C              |

TRM = 500 pieces. \*Temperature grades are identified by a label on the shipping container.

Consult LTC Marketing for parts specified with wider operating temperature ranges.

Consult LTC Marketing for information on lead based finish parts.

For more information on lead free part marking, go to: <http://www.linear.com/leadfree/>

For more information on tape and reel specifications, go to: <http://www.linear.com/tapeandree/>

# LT6700/LT6700HV

## ELECTRICAL CHARACTERISTICS $T_A = 25^\circ\text{C}$ , (LT6700-1/LT6700-2/LT6700-3) unless otherwise specified.

| SYMBOL       | PARAMETER                                | CONDITIONS   | MIN | TYP        | MAX      | UNITS   |
|--------------|--|--|-----|------------|----------|---------|
| $V_{TH(R)}$  | Rising Input Threshold Voltage (Note 6)  | $R_L = 100k, V_O = 2V$ Swing   |     |            |          |         |
|              |  | $V_S = 1.4V$   | 394 | 400        | 406      | mV      |
|              |  | $V_S = 5V$   | 395 | 400        | 405      | mV      |
|              |  | $V_S = 12V$  | 393 | 400        | 407      | mV      |
| $V_{TH(F)}$  | Falling Input Threshold Voltage (Note 6) | $R_L = 100k, V_O = 2V$ Swing   |     |            |          |         |
|              |  | $V_S = 1.4V$   | 386 | 393.5      | 401      | mV      |
|              |  | $V_S = 5V$   | 387 | 393.5      | 400      | mV      |
|              |  | $V_S = 12V$  | 385 | 393.5      | 402      | mV      |
| HYS          | $HYS = V_{TH(R)} - V_{TH(F)}$            | $V_S = 1.4V, 5V, 12V, 18V, R_L = 100k, V_O = 2V$ Swing                               | 3.5 | 6.5        | 9.5      | mV      |
|              |  | $V_S = 1.4V, 18V, V_{IN} = V_S$  |     | $\pm 0.01$ | $\pm 10$ | nA      |
|              |  | $V_S = 1.4V, V_{IN} = 18V$   |     | $\pm 0.01$ | $\pm 10$ | nA      |
|              |  | $V_S = 1.4V, 18V, V_{IN} = 0.1V$   |     | $\pm 4$    | $\pm 10$ | nA      |
| $V_{OL}$     | Output Low Voltage                       | 10mV Input Overdrive   |     |            |          |         |
|              |  | $V_S = 1.4V, I_{OUT} = 0.5mA$  |     | 55         | 200      | mV      |
|              |  | $V_S = 1.6V, I_{OUT} = 3mA$  |     | 60         | 200      | mV      |
|              |  | $V_S = 5V, I_{OUT} = 5mA$  |     | 70         | 200      | mV      |
| $I_{OFF}$    | Output Leakage Current                   | $V_S = 1.4V, 18V, V_{OUT} = V_S, V_{IN} = 40mV$ Overdrive                            |     | 0.01       | 0.8      | $\mu A$ |
|              |  | $V_S = 1.4V, V_{OUT} = 18V, V_{IN} = 40mV$ Overdrive                                 |     | 0.01       | 0.8      | $\mu A$ |
| $t_{PD(HL)}$ | High-to-Low Propagation Delay            | $V_S = 5V, 10mV$ Input Overdrive, $R_L = 10k, V_{OL} = 400mV$                        |     | 18         |          | $\mu s$ |
| $t_{PD(LH)}$ | Low-to-High Propagation Delay            | $V_S = 5V, 10mV$ Input Overdrive, $R_L = 10k, V_{OH} = 0.9 \cdot V_S$                |     | 29         |          | $\mu s$ |
| $t_r$        | Output Rise Time                         | $V_S = 5V, 10mV$ Input Overdrive, $R_L = 10k, V_O = (0.1 \text{ to } 0.9) \cdot V_S$ |     | 2.2        |          | $\mu s$ |
| $t_f$        | Output Fall Time                         | $V_S = 5V, 10mV$ Input Overdrive, $R_L = 10k, V_O = (0.1 \text{ to } 0.9) \cdot V_S$ |     | 0.22       |          | $\mu s$ |
| $I_S$        | Supply Current                           | No Load Current  |     |            |          |         |
|              |  | $V_S = 1.4V$   |     | 5.7        | 10.0     | $\mu A$ |
|              |  | $V_S = 5V$   |     | 6.5        | 11.0     | $\mu A$ |
|              |  | $V_S = 12V$  |     | 6.9        | 12.5     | $\mu A$ |
|              |  | $V_S = 18V$  |     | 7.1        | 13.0     | $\mu A$ |

The ● denotes the specifications which apply over the temperature range of  $0^\circ\text{C} \leq T_A \leq 70^\circ\text{C}$ , (LT6700C-1/LT6700C-2/LT6700C-3) unless otherwise specified (Notes 4, 5).

| SYMBOL      | PARAMETER                                | CONDITIONS                   | MIN | TYP   | MAX   | UNITS |
|-------------|--|------------------------------|-----|-------|-------|-------|
| $V_{TH(R)}$ | Rising Input Threshold Voltage (Note 6)  | $R_L = 100k, V_O = 2V$ Swing | ●   |       |       |       |
|             |  | $V_S = 1.4V$                 | ●   | 391.0 | 409.0 | mV    |
|             |  | $V_S = 5V$                   | ●   | 392.5 | 407.5 | mV    |
|             |  | $V_S = 12V$                  | ●   | 390.0 | 410.0 | mV    |
| $V_{TH(F)}$ | Falling Input Threshold Voltage (Note 6) | $R_L = 100k, V_O = 2V$ Swing | ●   |       |       |       |
|             |  | $V_S = 1.4V$                 | ●   | 383.5 | 403.5 | mV    |
|             |  | $V_S = 5V$                   | ●   | 384.5 | 402.5 | mV    |
|             |  | $V_S = 12V$                  | ●   | 382.5 | 404.5 | mV    |
| $I_S$       | Supply Current                           | $V_S = 18V$                  | ●   | 381.5 | 405.5 | mV    |

## ELECTRICAL CHARACTERISTICS

The ● denotes the specifications which apply over the temperature range of  $0^{\circ}\text{C} \leq T_A \leq 70^{\circ}\text{C}$ , (LT6700C-1/LT6700C-2/LT6700C-3) unless otherwise specified (Notes 4, 5).

| SYMBOL           | PARAMETER  | CONDITIONS  | MIN              | TYP | MAX                              | UNITS  |
|------------------|--|---|------------------|-----|----------------------------------|--|
| HYS              | $\text{HYS} = V_{\text{TH(R)}} - V_{\text{TH(F)}}$ | $V_S = 1.4\text{V}, 5\text{V}, 12\text{V}, 18\text{V}, R_L = 100\text{k}, V_O = 2\text{V Swing}$  | ●                | 3   | 11                               | mV   |
| $I_B$            | Input Bias Current                                 | $V_S = 1.4\text{V}, 18\text{V}, V_{\text{IN}} = V_S$<br>$V_S = 1.4\text{V}, V_{\text{IN}} = 18\text{V}$<br>$V_S = 1.4\text{V}, 18\text{V}, V_{\text{IN}} = 0.1\text{V}$                 | ●<br>●<br>●      |     | $\pm 15$<br>$\pm 15$<br>$\pm 15$ | nA<br>nA<br>nA   |
| $V_{OL}$         | Output Low Voltage                                 | 10mV Input Overdrive<br>$V_S = 1.4\text{V}, I_{\text{OUT}} = 0.5\text{mA}$<br>$V_S = 1.6\text{V}, I_{\text{OUT}} = 3\text{mA}$<br>$V_S = 5\text{V}, I_{\text{OUT}} = 5\text{mA}$        | ●<br>●<br>●      |     | 250<br>250<br>250                | mV<br>mV<br>mV   |
| $I_{\text{OFF}}$ | Output Leakage Current                             | $V_S = 1.4\text{V}, 18\text{V}, V_{\text{OUT}} = V_S, V_{\text{IN}} = 40\text{mV Overdrive}$<br>$V_S = 1.4\text{V}, V_{\text{OUT}} = 18\text{V}, V_{\text{IN}} = 40\text{mV Overdrive}$ | ●<br>●           |     | 1<br>1                           | $\mu\text{A}$<br>$\mu\text{A}$                                   |
| $I_S$            | Supply Current                                     | No Load Current<br>$V_S = 1.4\text{V}$<br>$V_S = 5\text{V}$<br>$V_S = 12\text{V}$<br>$V_S = 18\text{V}$   | ●<br>●<br>●<br>● |     | 13.0<br>14.0<br>15.5<br>16.0     | $\mu\text{A}$<br>$\mu\text{A}$<br>$\mu\text{A}$<br>$\mu\text{A}$ |

The ● denotes the specifications which apply over the temperature range of  $-40^{\circ}\text{C} \leq T_A \leq 85^{\circ}\text{C}$ , (LT6700I-1/LT6700I-2/LT6700I-3) unless otherwise specified (Notes 4, 5).

| SYMBOL             | PARAMETER  | CONDITIONS  | MIN              | TYP | MAX                              | UNITS  |                      |
|--------------------|--|---|------------------|-----|----------------------------------|--|----------------------|
| $V_{\text{TH(R)}}$ | Rising Input Threshold Voltage (Note 6)            | $R_L = 100\text{k}, V_O = 2\text{V Swing}$<br>$V_S = 1.4\text{V}$<br>$V_S = 5\text{V}$<br>$V_S = 12\text{V}$<br>$V_S = 18\text{V}$  | ●<br>●<br>●<br>● |     | 390<br>392<br>389<br>388         | 410<br>408<br>411<br>412   | mV<br>mV<br>mV<br>mV |
| $V_{\text{TH(F)}}$ | Falling Input Threshold Voltage (Note 6)           | $R_L = 100\text{k}, V_O = 2\text{V Swing}$<br>$V_S = 1.4\text{V}$<br>$V_S = 5\text{V}$<br>$V_S = 12\text{V}$<br>$V_S = 18\text{V}$  | ●<br>●<br>●<br>● |     | 382.5<br>383.5<br>381.5<br>380.5 | 404.5<br>403.5<br>405.5<br>406.5                                 | mV<br>mV<br>mV<br>mV |
| HYS                | $\text{HYS} = V_{\text{TH(R)}} - V_{\text{TH(F)}}$ | $V_S = 1.4\text{V}, 5\text{V}, 12\text{V}, 18\text{V}, R_L = 100\text{k}, V_O = 2\text{V Swing}$  | ●                | 2   | 11.5                             | mV   |                      |
| $I_B$              | Input Bias Current                                 | $V_S = 1.4\text{V}, 18\text{V}, V_{\text{IN}} = V_S$<br>$V_S = 1.4\text{V}, V_{\text{IN}} = 18\text{V}$<br>$V_S = 1.4\text{V}, 18\text{V}, V_{\text{IN}} = 0.1\text{V}$                 | ●<br>●<br>●      |     | $\pm 15$<br>$\pm 15$<br>$\pm 15$ | nA<br>nA<br>nA   |                      |
| $V_{OL}$           | Output Low Voltage                                 | 10mV Input Overdrive<br>$V_S = 1.4\text{V}, I_{\text{OUT}} = 0.1\text{mA}$<br>$V_S = 1.6\text{V}, I_{\text{OUT}} = 3\text{mA}$<br>$V_S = 5\text{V}, I_{\text{OUT}} = 5\text{mA}$        | ●<br>●<br>●      |     | 250<br>250<br>250                | mV<br>mV<br>mV   |                      |
| $I_{\text{OFF}}$   | Output Leakage Current                             | $V_S = 1.4\text{V}, 18\text{V}, V_{\text{OUT}} = V_S, V_{\text{IN}} = 40\text{mV Overdrive}$<br>$V_S = 1.4\text{V}, V_{\text{OUT}} = 18\text{V}, V_{\text{IN}} = 40\text{mV Overdrive}$ | ●<br>●           |     | 1<br>1                           | $\mu\text{A}$<br>$\mu\text{A}$                                   |                      |
| $I_S$              | Supply Current                                     | No Load Current<br>$V_S = 1.4\text{V}$<br>$V_S = 5\text{V}$<br>$V_S = 12\text{V}$<br>$V_S = 18\text{V}$   | ●<br>●<br>●<br>● |     | 14.0<br>15.0<br>16.5<br>17.0     | $\mu\text{A}$<br>$\mu\text{A}$<br>$\mu\text{A}$<br>$\mu\text{A}$ |                      |

## ELECTRICAL CHARACTERISTICS

The ● denotes the specifications which apply over the temperature range of  $-40^{\circ}\text{C} \leq T_A \leq 125^{\circ}\text{C}$ , (LT6700H-1/LT6700H-2/LT6700H-3) unless otherwise specified (Notes 4, 5).

| SYMBOL      | PARAMETER                                | CONDITIONS   | LT6700H |       |       | UNITS |
|-------------|--|--|---------|-------|-------|-------|
|             |  |  | MIN     | TYP   | MAX   |       |
| $V_{TH(R)}$ | Rising Input Threshold Voltage (Note 6)  | $R_L = 100\text{k}, V_O = 2\text{V Swing}$   | ●       |       |       |       |
|             |  | $V_S = 1.4\text{V}$  | ●       | 390   | 411   | mV    |
|             |  | $V_S = 5\text{V}$  | ●       | 392   | 410   | mV    |
|             |  | $V_S = 12\text{V}$   | ●       | 389   | 412   | mV    |
| $V_{TH(F)}$ | Falling Input Threshold Voltage (Note 6) | $R_L = 100\text{k}, V_O = 2\text{V Swing}$   | ●       |       |       |       |
|             |  | $V_S = 1.4\text{V}$  | ●       | 381.5 | 405.5 | mV    |
|             |  | $V_S = 5\text{V}$  | ●       | 382.5 | 404.5 | mV    |
|             |  | $V_S = 12\text{V}$   | ●       | 380.5 | 406.5 | mV    |
| HYS         | $HYS = V_{TH(R)} - V_{TH(F)}$            | $V_S = 1.4\text{V}, 5\text{V}, 12\text{V}, 18\text{V}, R_L = 100\text{k}, V_O = 2\text{V Swing}$ | ●       | 2     | 13.5  | mV    |
|             |  | $V_S = 1.4\text{V}, 18\text{V}, V_{IN} = V_S$  | ●       |       | ±45   | nA    |
|             |  | $V_S = 1.4\text{V}, V_{IN} = 18\text{V}$   | ●       |       | ±45   | nA    |
|             |  | $V_S = 1.4\text{V}, 18\text{V}, V_{IN} = 100\text{mV}$   | ●       |       | ±50   | nA    |
| $V_{OL}$    | Output Low Voltage                       | 10mV Input Overdrive   | ●       |       |       |       |
|             |  | $V_S = 1.4\text{V}, I_{OUT} = 0.1\text{mA}$  | ●       |       | 250   | mV    |
|             |  | $V_S = 1.6\text{V}, I_{OUT} = 3\text{mA}$  | ●       |       | 250   | mV    |
|             |  | $V_S = 5\text{V}, I_{OUT} = 5\text{mA}$  | ●       |       | 250   | mV    |
| $I_{OFF}$   | Output Leakage Current                   | $V_S = 1.4\text{V}, 18\text{V}, V_{OUT} = V_S, V_{IN} = 40\text{mV Overdrive}$                   | ●       |       | 1     | μA    |
|             |  | $V_S = 1.4\text{V}, V_{OUT} = 18\text{V}, V_{IN} = 40\text{mV Overdrive}$                        | ●       |       | 1     | μA    |
| $I_S$       | Supply Current                           | No Load Current  | ●       |       |       |       |
|             |  | $V_S = 1.4\text{V}$  | ●       |       | 16.0  | μA    |
|             |  | $V_S = 5\text{V}$  | ●       |       | 17.0  | μA    |
|             |  | $V_S = 12\text{V}$   | ●       |       | 18.5  | μA    |
| $I_S$       | Supply Current                           | $V_S = 18\text{V}$   | ●       |       | 19.0  | μA    |

The ● denotes the specifications which apply over the temperature range of  $-55^{\circ}\text{C} \leq T_A \leq 125^{\circ}\text{C}$ , (LT6700MP-1/LT6700MP-2/LT6700MP-3) unless otherwise specified (Notes 4, 5).

| SYMBOL      | PARAMETER                                | CONDITIONS   | LT6700H |       |       | UNITS |
|-------------|--|--|---------|-------|-------|-------|
|             |  |  | MIN     | TYP   | MAX   |       |
| $V_{TH(R)}$ | Rising Input Threshold Voltage (Note 6)  | $R_L = 100\text{k}, V_O = 2\text{V Swing}$   | ●       |       |       |       |
|             |  | $V_S = 1.4\text{V}$  | ●       | 390   | 411   | mV    |
|             |  | $V_S = 5\text{V}$  | ●       | 392   | 410   | mV    |
|             |  | $V_S = 12\text{V}$   | ●       | 389   | 412   | mV    |
| $V_{TH(F)}$ | Falling Input Threshold Voltage (Note 6) | $R_L = 100\text{k}, V_O = 2\text{V Swing}$   | ●       |       |       |       |
|             |  | $V_S = 1.4\text{V}$  | ●       | 381.5 | 405.5 | mV    |
|             |  | $V_S = 5\text{V}$  | ●       | 382.5 | 404.5 | mV    |
|             |  | $V_S = 12\text{V}$   | ●       | 380.5 | 406.5 | mV    |
| HYS         | $HYS = V_{TH(R)} - V_{TH(F)}$            | $V_S = 1.4\text{V}, 5\text{V}, 12\text{V}, 18\text{V}, R_L = 100\text{k}, V_O = 2\text{V Swing}$ | ●       | 2     | 13.5  | mV    |
|             |  | $V_S = 1.4\text{V}, 18\text{V}, V_{IN} = V_S$  | ●       |       | ±45   | nA    |
|             |  | $V_S = 1.4\text{V}, V_{IN} = 18\text{V}$   | ●       |       | ±45   | nA    |
|             |  | $V_S = 1.4\text{V}, 18\text{V}, V_{IN} = 100\text{mV}$   | ●       |       | ±50   | nA    |
| $V_{OL}$    | Output Low Voltage                       | 10mV Input Overdrive   | ●       |       |       |       |
|             |  | $V_S = 1.4\text{V}, I_{OUT} = 0.1\text{mA}$  | ●       |       | 250   | mV    |
|             |  | $V_S = 1.6\text{V}, I_{OUT} = 3\text{mA}$  | ●       |       | 250   | mV    |
|             |  | $V_S = 5\text{V}, I_{OUT} = 5\text{mA}$  | ●       |       | 250   | mV    |

## ELECTRICAL CHARACTERISTICS

The ● denotes the specifications which apply over the temperature range of  $-55^{\circ}\text{C} \leq T_A \leq 125^{\circ}\text{C}$ , (LT6700MP-1/LT6700MP-2/LT6700MP-3) unless otherwise specified (Notes 4, 5).

| SYMBOL           | PARAMETER              | CONDITIONS   | LT6700H |     |      | UNITS |
|------------------|------------------------|--|---------|-----|------|-------|
|                  |                        |  | MIN     | TYP | MAX  |       |
| I <sub>OFF</sub> | Output Leakage Current | V <sub>S</sub> = 1.4V, 18V, V <sub>OUT</sub> = V <sub>S</sub> , V <sub>IN</sub> = 40mV Overdrive | ●       |     | 1    | μA    |
|                  |                        | V <sub>S</sub> = 18V, V <sub>OUT</sub> = 18V, V <sub>IN</sub> = 40mV Overdrive                   | ●       |     | 1    | μA    |
| I <sub>S</sub>   | Supply Current         | No Load Current  | ●       |     | 16.0 | μA    |
|                  |                        | V <sub>S</sub> = 1.4V  | ●       |     | 17.0 | μA    |
|                  |                        | V <sub>S</sub> = 5V  | ●       |     | 18.5 | μA    |
|                  |                        | V <sub>S</sub> = 18V   | ●       |     | 19.0 | μA    |

T<sub>A</sub> = 25°C, (LT6700HV-1/LT6700HV-2/LT6700HV-3) unless otherwise specified.

| SYMBOL              | PARAMETER                                     | CONDITIONS  | MIN | TYP   | MAX  | UNITS |
|---------------------|---|---|-----|-------|------|-------|
| V <sub>TH(R)</sub>  | Rising Input Threshold Voltage (Note 6)       | R <sub>L</sub> = 100k, V <sub>O</sub> = 2V Swing  | 394 | 400   | 406  | mV    |
|                     |   | V <sub>S</sub> = 1.4V   | 395 | 400   | 405  | mV    |
|                     |   | V <sub>S</sub> = 5V   | 393 | 400   | 407  | mV    |
|                     |   | V <sub>S</sub> = 18V  | 392 | 400   | 408  | mV    |
| V <sub>TH(F)</sub>  | Falling Input Threshold Voltage (Note 6)      | R <sub>L</sub> = 100k, V <sub>O</sub> = 2V Swing  | 386 | 393.5 | 401  | mV    |
|                     |   | V <sub>S</sub> = 1.4V   | 387 | 393.5 | 400  | mV    |
|                     |   | V <sub>S</sub> = 5V   | 385 | 393.5 | 402  | mV    |
|                     |   | V <sub>S</sub> = 18V  | 384 | 393.5 | 403  | mV    |
| HYS                 | HYS = V <sub>TH(R)</sub> - V <sub>TH(F)</sub> | V <sub>S</sub> = 1.4V, 5V, 12V, 18V, R <sub>L</sub> = 100k, V <sub>O</sub> = 2V Swing                           | 3.5 | 6.5   | 9.5  | mV    |
| I <sub>B</sub>      | Input Bias Current                            | V <sub>S</sub> = 1.4V, 18V, V <sub>IN</sub> = V <sub>S</sub>  |     | ±0.01 | ±10  | nA    |
|                     |   | V <sub>S</sub> = 1.4V, V <sub>IN</sub> = 18V, 36V   |     | ±0.01 | ±10  | nA    |
|                     |   | V <sub>S</sub> = 1.4V, 18V, V <sub>IN</sub> = 0.1V  |     | ±4    | ±10  | nA    |
| V <sub>OL</sub>     | Output Low Voltage                            | 10mV Input Overdrive  |     | 55    | 200  | mV    |
|                     |   | V <sub>S</sub> = 1.4V, I <sub>OUT</sub> = 0.5mA   |     | 60    | 200  | mV    |
|                     |   | V <sub>S</sub> = 5V, I <sub>OUT</sub> = 5mA   |     | 70    | 200  | mV    |
| I <sub>OFF</sub>    | Output Leakage Current                        | V <sub>S</sub> = 1.4V, 18V, V <sub>OUT</sub> = V <sub>S</sub> , V <sub>IN</sub> = 40mV Overdrive                |     | 0.01  | 0.8  | μA    |
|                     |   | V <sub>S</sub> = 18V, V <sub>OUT</sub> = 18V, (36V, R <sub>L</sub> = 100k), V <sub>IN</sub> = 40mV Overdrive    |     | 0.01  | 0.8  | μA    |
| t <sub>PD(HL)</sub> | High-to-Low Propagation Delay                 | V <sub>S</sub> = 5V, 10mV Input Overdrive, R <sub>L</sub> = 10k, V <sub>OL</sub> = 400mV                        |     | 18    |      | μs    |
| t <sub>PD(LH)</sub> | Low-to-High Propagation Delay                 | V <sub>S</sub> = 5V, 10mV Input Overdrive, R <sub>L</sub> = 10k, V <sub>OH</sub> = 0.9 • V <sub>S</sub>         |     | 29    |      | μs    |
| t <sub>r</sub>      | Output Rise Time                              | V <sub>S</sub> = 5V, 10mV Input Overdrive, R <sub>L</sub> = 10k, V <sub>O</sub> = (0.1 to 0.9) • V <sub>S</sub> |     | 2.2   |      | μs    |
| t <sub>f</sub>      | Output Fall Time                              | V <sub>S</sub> = 5V, 10mV Input Overdrive, R <sub>L</sub> = 10k, V <sub>O</sub> = (0.1 to 0.9) • V <sub>S</sub> |     | 0.22  |      | μs    |
| I <sub>S</sub>      | Supply Current                                | No Load Current   |     | 5.7   | 10.0 | μA    |
|                     |   | V <sub>S</sub> = 1.4V   |     | 6.5   | 11.0 | μA    |
|                     |   | V <sub>S</sub> = 5V   |     | 6.9   | 12.5 | μA    |
|                     |   | V <sub>S</sub> = 18V  |     | 7.1   | 13.0 | μA    |

## ELECTRICAL CHARACTERISTICS

The ● denotes the specifications which apply over the temperature range of  $0^{\circ}\text{C} \leq T_A \leq 70^{\circ}\text{C}$ , (LT6700HVC-1/LT6700HVC-2/LT6700HVC-3) unless otherwise specified (Notes 4, 5).

| SYMBOL      | PARAMETER                                | CONDITIONS   | MIN | TYP   | MAX      | UNITS   |
|-------------|--|--|-----|-------|----------|---------|
| $V_{TH(R)}$ | Rising Input Threshold Voltage (Note 6)  | $R_L = 100k, V_O = 2V$ Swing   | ●   | 391.0 | 409.0    | mV      |
|             |  | $V_S = 1.4V$   | ●   | 392.5 | 407.5    | mV      |
|             |  | $V_S = 5V$   | ●   | 390.0 | 410.0    | mV      |
|             |  | $V_S = 12V$  | ●   | 389.0 | 411.0    | mV      |
| $V_{TH(F)}$ | Falling Input Threshold Voltage (Note 6) | $R_L = 100k, V_O = 2V$ Swing   | ●   | 383.5 | 403.5    | mV      |
|             |  | $V_S = 1.4V$   | ●   | 384.5 | 402.5    | mV      |
|             |  | $V_S = 5V$   | ●   | 382.5 | 404.5    | mV      |
|             |  | $V_S = 18V$  | ●   | 381.5 | 405.5    | mV      |
| HYS         | $HYS = V_{TH(R)} - V_{TH(F)}$            | $V_S = 1.4V, 5V, 12V, 18V, R_L = 100k, V_O = 2V$ Swing                 | ●   | 3     | 11       | mV      |
| $I_B$       | Input Bias Current                       | $V_S = 1.4V, 18V, V_{IN} = V_S$  | ●   |       | $\pm 15$ | nA      |
|             |  | $V_S = 1.4V, V_{IN} = 18V, 36V$  | ●   |       | $\pm 15$ | nA      |
|             |  | $V_S = 1.4V, 18V, V_{IN} = 0.1V$                                       | ●   |       | $\pm 15$ | nA      |
| $V_{OL}$    | Output Low Voltage                       | 10mV Input Overdrive   | ●   |       | 250      | mV      |
|             |  | $V_S = 1.4V, I_{OUT} = 0.5mA$  | ●   |       | 250      | mV      |
|             |  | $V_S = 1.6V, I_{OUT} = 3mA$  | ●   |       | 250      | mV      |
| $I_{OFF}$   | Output Leakage Current                   | $V_S = 1.4V, 18V, V_{OUT} = V_S, V_{IN} = 40mV$ Overdrive              | ●   |       | 1        | $\mu A$ |
|             |  | $V_S = 18V, V_{OUT} = 18V, (36V, R_L = 100k), V_{IN} = 40mV$ Overdrive | ●   |       | 1        | $\mu A$ |
| $I_S$       | Supply Current                           | No Load Current  | ●   |       | 13.0     | $\mu A$ |
|             |  | $V_S = 1.4V$   | ●   |       | 14.0     | $\mu A$ |
|             |  | $V_S = 5V$   | ●   |       | 15.5     | $\mu A$ |
|             |  | $V_S = 18V$  | ●   |       | 16.0     | $\mu A$ |

The ● denotes the specifications which apply over the temperature range of  $-40^{\circ}\text{C} \leq T_A \leq 85^{\circ}\text{C}$ , (LT6700HVI-1/LT6700HVI-2/LT6700HVI-3) unless otherwise specified (Notes 4, 5).

| SYMBOL      | PARAMETER                                | CONDITIONS   | MIN | TYP   | MAX      | UNITS   |
|-------------|--|--|-----|-------|----------|---------|
| $V_{TH(R)}$ | Rising Input Threshold Voltage (Note 6)  | $R_L = 100k, V_O = 2V$ Swing   | ●   | 390   | 410      | mV      |
|             |  | $V_S = 1.4V$   | ●   | 392   | 408      | mV      |
|             |  | $V_S = 5V$   | ●   | 389   | 411      | mV      |
|             |  | $V_S = 18V$  | ●   | 388   | 412      | mV      |
| $V_{TH(F)}$ | Falling Input Threshold Voltage (Note 6) | $R_L = 100k, V_O = 2V$ Swing   | ●   | 382.5 | 404.5    | mV      |
|             |  | $V_S = 1.4V$   | ●   | 383.5 | 403.5    | mV      |
|             |  | $V_S = 5V$   | ●   | 381.5 | 405.5    | mV      |
|             |  | $V_S = 18V$  | ●   | 380.5 | 406.5    | mV      |
| HYS         | $HYS = V_{TH(R)} - V_{TH(F)}$            | $V_S = 1.4V, 5V, 12V, 18V, R_L = 100k, V_O = 2V$ Swing                 | ●   | 2     | 11.5     | mV      |
| $I_B$       | Input Bias Current                       | $V_S = 1.4V, 18V, V_{IN} = V_S$  | ●   |       | $\pm 15$ | nA      |
|             |  | $V_S = 1.4V, V_{IN} = 18V, 36V$  | ●   |       | $\pm 15$ | nA      |
|             |  | $V_S = 1.4V, 18V, V_{IN} = 0.1V$                                       | ●   |       | $\pm 15$ | nA      |
| $V_{OL}$    | Output Low Voltage                       | 10mV Input Overdrive   | ●   |       | 250      | mV      |
|             |  | $V_S = 1.4V, I_{OUT} = 0.1mA$  | ●   |       | 250      | mV      |
|             |  | $V_S = 1.6V, I_{OUT} = 3mA$  | ●   |       | 250      | mV      |
| $I_{OFF}$   | Output Leakage Current                   | $V_S = 1.4V, 18V, V_{OUT} = V_S, V_{IN} = 40mV$ Overdrive              | ●   |       | 1        | $\mu A$ |
|             |  | $V_S = 18V, V_{OUT} = 18V, (36V, R_L = 100k), V_{IN} = 40mV$ Overdrive | ●   |       | 1        | $\mu A$ |

## ELECTRICAL CHARACTERISTICS

The ● denotes the specifications which apply over the temperature range of  $-40^{\circ}\text{C} \leq T_A \leq 85^{\circ}\text{C}$ , (LT6700HVI-1/LT6700HVI-2/LT6700HVI-3) unless otherwise specified (Notes 4, 5).

| SYMBOL | PARAMETER      | CONDITIONS          | LT6700H |     |      | UNITS         |
|--------|----------------|---------------------|---------|-----|------|---------------|
|        |                |                     | MIN     | TYP | MAX  |               |
| $I_S$  | Supply Current | No Load Current     |         |     |      |               |
|        |                | $V_S = 1.4\text{V}$ | ●       |     | 14.0 | $\mu\text{A}$ |
|        |                | $V_S = 5\text{V}$   | ●       |     | 15.0 | $\mu\text{A}$ |
|        |                | $V_S = 12\text{V}$  | ●       |     | 16.5 | $\mu\text{A}$ |
|        |                | $V_S = 18\text{V}$  | ●       |     | 17.0 | $\mu\text{A}$ |

The ● denotes the specifications which apply over the temperature range of  $-40^{\circ}\text{C} \leq T_A \leq 125^{\circ}\text{C}$ , (LT6700HVH-1/LT6700HVH-2/LT6700HVH-3) unless otherwise specified (Notes 4, 5).

| SYMBOL      | PARAMETER                                | CONDITIONS  | LT6700H |       |          | UNITS         |
|-------------|--|---|---------|-------|----------|---------------|
|             |  |   | MIN     | TYP   | MAX      |               |
| $V_{TH(R)}$ | Rising Input Threshold Voltage (Note 6)  | $R_L = 100\text{k}, V_O = 2\text{V Swing}$  |         |       |          |               |
|             |  | $V_S = 1.4\text{V}$   | ●       | 390   | 411      | mV            |
|             |  | $V_S = 5\text{V}$   | ●       | 392   | 410      | mV            |
|             |  | $V_S = 12\text{V}$  | ●       | 389   | 412      | mV            |
|             |  | $V_S = 18\text{V}$  | ●       | 388   | 413      | mV            |
| $V_{TH(F)}$ | Falling Input Threshold Voltage (Note 6) | $R_L = 100\text{k}, V_O = 2\text{V Swing}$  |         |       |          |               |
|             |  | $V_S = 1.4\text{V}$   | ●       | 381.5 | 405.5    | mV            |
|             |  | $V_S = 5\text{V}$   | ●       | 382.5 | 404.5    | mV            |
|             |  | $V_S = 12\text{V}$  | ●       | 380.5 | 406.5    | mV            |
|             |  | $V_S = 18\text{V}$  | ●       | 379.5 | 407.5    | mV            |
| HYS         | $HYS = V_{TH(R)} - V_{TH(F)}$            | $V_S = 1.4\text{V}, 5\text{V}, 12\text{V}, 18\text{V}, R_L = 100\text{k}, V_O = 2\text{V Swing}$          | ●       | 2     | 13.5     | mV            |
| $I_B$       | Input Bias Current                       | $V_S = 1.4\text{V}, 18\text{V}, V_{IN} = V_S$   | ●       |       | $\pm 45$ | nA            |
|             |  | $V_S = 1.4\text{V}, V_{IN} = 18\text{V}, 36\text{V}$  | ●       |       | $\pm 45$ | nA            |
|             |  | $V_S = 1.4\text{V}, 18\text{V}, V_{IN} = 100\text{mV}$  | ●       |       | $\pm 50$ | nA            |
| $V_{OL}$    | Output Low Voltage                       | 10mV Input Overdrive  |         |       |          |               |
|             |  | $V_S = 1.4\text{V}, I_{OUT} = 0.1\text{mA}$   | ●       |       | 250      | mV            |
|             |  | $V_S = 1.6\text{V}, I_{OUT} = 3\text{mA}$   | ●       |       | 250      | mV            |
|             |  | $V_S = 5\text{V}, I_{OUT} = 5\text{mA}$   | ●       |       | 250      | mV            |
| $I_{OFF}$   | Output Leakage Current                   | $V_S = 1.4\text{V}, 18\text{V}, V_{OUT} = V_S, V_{IN} = 40\text{mV Overdrive}$                            | ●       |       | 1        | $\mu\text{A}$ |
|             |  | $V_S = 18\text{V}, V_{OUT} = 18\text{V}, (36\text{V}, R_L = 100\text{k}), V_{IN} = 40\text{mV Overdrive}$ | ●       |       | 1        | $\mu\text{A}$ |
| $I_S$       | Supply Current                           | No Load Current   |         |       |          |               |
|             |  | $V_S = 1.4\text{V}$   | ●       |       | 16.0     | $\mu\text{A}$ |
|             |  | $V_S = 5\text{V}$   | ●       |       | 17.0     | $\mu\text{A}$ |
|             |  | $V_S = 12\text{V}$  | ●       |       | 18.5     | $\mu\text{A}$ |
|             |  | $V_S = 18\text{V}$  | ●       |       | 19.0     | $\mu\text{A}$ |

**Note 1:** Stresses beyond those listed under Absolute Maximum Ratings may cause permanent damage to the device. Exposure to any Absolute Maximum Rating condition for extended periods may affect device reliability and lifetime.

**Note 2:** A heat sink may be required to keep the junction temperature below the absolute maximum rating when the output is shorted indefinitely.

**Note 3:** The inputs are protected by ESD diodes to the ground. If the input voltage exceeds  $-0.3\text{V}$  below ground, the input current should be limited to less than  $10\text{mA}$ .

**Note 4:** The LT6700C-1/-2/-3/LT6700HVC-1/-2/-3, and LT6700I-1/-2/-3/LT6700HVI-1/-2/-3 are guaranteed functional over the operating temperature range of  $-40^{\circ}\text{C}$  to  $85^{\circ}\text{C}$ . The LT6700H-1/-2/-3/LT6700HVH-1/-2/-3 is guaranteed functional over the operating

temperature range of  $-40^{\circ}\text{C}$  to  $125^{\circ}\text{C}$ . The LT6700MP-1/-2/-3 is guaranteed functional over the operating temperature range of  $-55^{\circ}\text{C}$  to  $125^{\circ}\text{C}$ .

**Note 5:** The LT6700C-1/-2/-3/LT6700HVC-1/-2/-3 is guaranteed to meet the specified performance from  $0^{\circ}\text{C}$  to  $70^{\circ}\text{C}$ . The LT6700C-1/-2/-3/LT6700HVC-1/-2/-3 are designed, characterized and expected to meet specified performance from  $-40^{\circ}\text{C}$  to  $85^{\circ}\text{C}$  but are not tested or QA sampled at these temperatures. The LT6700I-1/-2/-3/LT6700HVI-1/-2/-3 is guaranteed to meet specified performance from  $-40^{\circ}\text{C}$  to  $85^{\circ}\text{C}$ . The LT6700H-1/-2/-3/LT6700HVH-1/-2/-3 is guaranteed to meet specified performance from  $-40^{\circ}\text{C}$  to  $125^{\circ}\text{C}$ . The LT6700MP-1/-2/-3 is guaranteed to meet specified performance from  $-55^{\circ}\text{C}$  to  $125^{\circ}\text{C}$ .

**Note 6:**  $V_{TH}$  defines the threshold voltage of the comparators and combines the effect of offset and reference accuracy.

## PIN FUNCTIONS



**OUTA:** Open-Collector Output of Comparator Section A. This pin provides drive for up to 40mA of load current. Off-state voltage may be as high as 18V (36V for LT6700HV) above GND, regardless of  $V_S$  used.

**GND:** Ground. This pin is also the low side return of the internal 400mV reference.

**INA:** External Input for Comparator Section A. The voltage on this pin can range from  $-0.3V$  to 18V (36V for LT6700HV) with respect to GND regardless of  $V_S$  used. The input is noninverting for the LT6700-1/LT6700HV-1 and LT6700-3/LT6700HV-3, and inverting for the LT6700-2/LT6700HV-2. The other section A comparator input is internally connected to the 400mV reference.

**INB:** External Input for Comparator Section B. The voltage on this pin can range from  $-0.3V$  to 18V (36V for LT6700HV) with respect to GND regardless of  $V_S$  used. The input is noninverting for the LT6700-3/LT6700HV-3, and inverting for the LT6700-1/LT6700HV-1 and LT6700-2/LT6700HV-2. The other section B comparator input is internally connected to the 400mV reference.

**$V_S$ :** Comparator Core Supply Voltage. The parts are characterized for operation with  $1.4V \leq V_S \leq 18V$  with respect to GND.

**OUTB:** Open-Collector Output of Comparator Section B. This pin provides drive for up to 40mA of load current. Off-state voltage may be as high as 18V (36V for LT6700HV) above GND, regardless of  $V_S$  used.

# TYPICAL PERFORMANCE CHARACTERISTICS

**Distribution of Rising Input Threshold Voltage**



6700123 G01

**Distribution of Falling Input Threshold Voltage**



6700123 G02

**Distribution of Hysteresis**



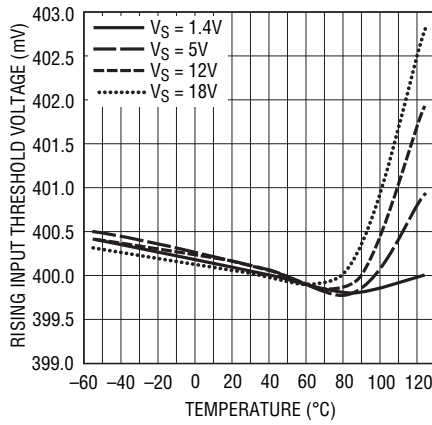
6700123 G03

**Rising Input Threshold Voltage vs Temperature**



6700123 G04

**Rising Input Threshold Voltage vs Temperature**



6700123 G05

**Rising Input Threshold Voltage vs Supply Voltage**



6700123 G06

**Hysteresis vs Temperature**



6700123 G07

**Hysteresis vs Temperature**



6700123 G08

**Hysteresis vs Supply Voltage**

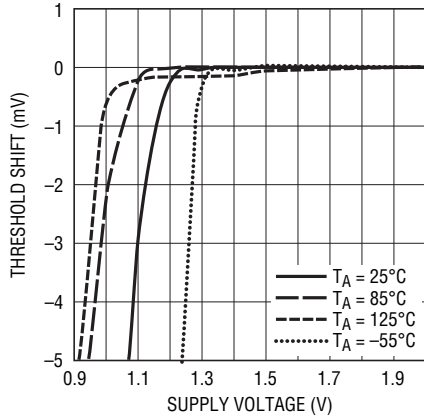


6700123 G09

6700123fh

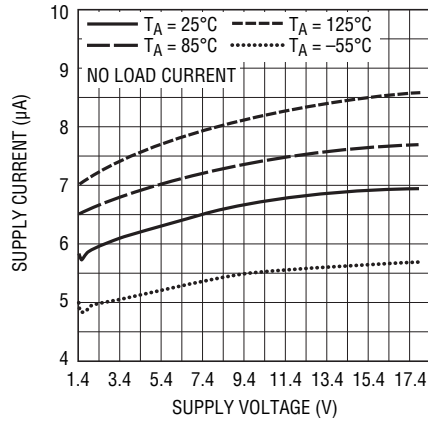
## TYPICAL PERFORMANCE CHARACTERISTICS

### Minimum Supply Voltage



6700123 G10

### Quiescent Supply Current vs Supply Voltage



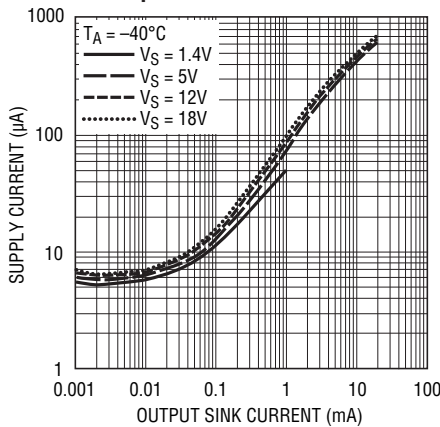
6700123 G11

### Start-Up Supply Current



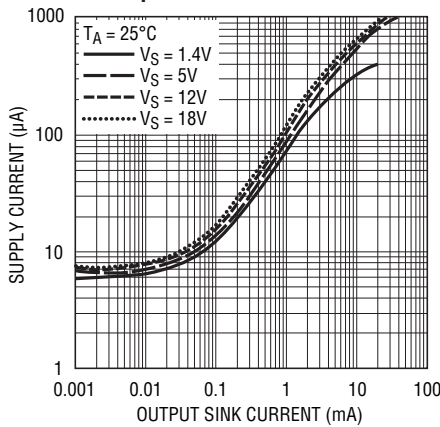
6700123 G12

### Supply Current vs Output Sink Current



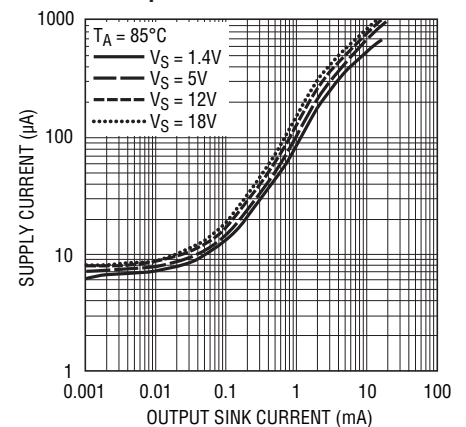
6700123 G13

### Supply Current vs Output Sink Current



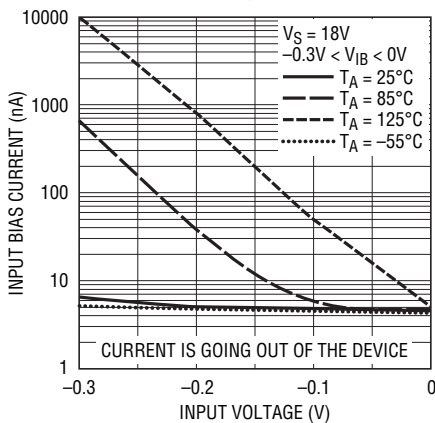
6700123 G14

### Supply Current vs Output Sink Current



6700123 G15

### Below Ground Input Bias Current



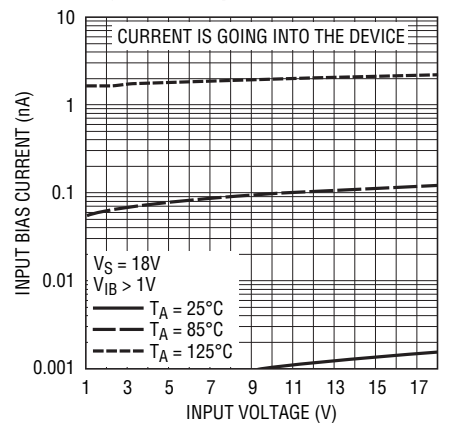
6700123 G16

### Low Level Input Bias Current



6700123 G17

### High Level Input Bias Current



6700123 G18

6700123fh

# TYPICAL PERFORMANCE CHARACTERISTICS

**Output Saturation Voltage vs Output Sink Current**



6700123 G19

**Output Saturation Voltage vs Output Sink Current**



6700123 G20

**Output Saturation Voltage vs Output Sink Current**



6700123 G21

**Output Short-Circuit Current**



6700123 G22

**Output Short-Circuit Current**



6700123 G23

**Output Leakage Current**



6700123 G24

**Propagation Delay vs Input Overdrive**



6700123 G25

**Rise and Fall Times vs Output Pull-Up Resistor**



6700123 G26

**Noninverting and Inverting Comparator Propagation Delay**



6700123 G27

## APPLICATIONS INFORMATION

The LT6700-1/LT6700-2/LT6700-3/LT6700HV-1/LT6700HV-2/LT6700HV-3 devices are a family of dual micropower comparators with a built-in 400mV reference. Features include wide supply voltage range (1.4V to 18V), Over-The-Top input and output range, 2% accurate rising input threshold voltage and 6.5mV typical built-in hysteresis. The comparator's open-collector outputs can sink up to 40mA typical.

### Internal Reference

Each of the comparator sections has one input available externally, with the three versions of the part differing by the polarity of those available inputs (i.e., inverting or noninverting). The other comparator inputs are connected internally to the 400mV reference. The rising input threshold voltage of the comparators is designed to be equal to that of the reference (i.e.,  $\approx 400\text{mV}$ ). The reference voltage is established with respect to the device GND connection.

### Hysteresis

Each comparator has built-in 6.5mV (typical) hysteresis to simplify designs, ensure stable operation in the presence of noise at the inputs, and to reject supply rail noise that might be induced by state change load transients. The hysteresis is designed such that the falling input threshold voltage is nominally 393.5mV. External positive feedback circuitry can be employed with noninverting comparator inputs to increase effective hysteresis if desired, but such circuitry will provide an apparent effect on both the rising and falling input thresholds (the actual internal thresholds remain unaffected).

### Comparator Inputs

A comparator input can swing from ground to 18V (36V for LT6700HV), regardless of the supply voltage used. The typical input current for inputs well above threshold (i.e.,  $>800\text{mV}$ ) is a few pA leaking into an input. With decreasing input voltage, a small bias current begins to be drawn out of the input, reaching a few nA when at ground potential. The input may be forced 100mV below ground without causing an improper output, though some additional bias current will begin to flow from the parasitic ESD input protection diode. Inputs driven further negative than 100mV

below ground will not cause comparator malfunction or damage (provided the current is limited to 10mA), but the accuracy of the reference cannot be guaranteed, in which case the output state of the alternate comparator may be affected.

### Comparator Outputs

The comparator outputs are open collector and capable of sinking 40mA typical. Load currents are directed out the GND pin of the part. The output off-state voltage may range between  $-0.3\text{V}$  and 18V (36V for LT6700HV) with respect to ground, regardless of the supply voltage used. When the output high state bias voltage is above 18V, a 100k minimum pull-up resistor is required and total load capacitor must be less than 100nF. If the output high state is above 18V, caution must be taken to prevent a short from the output directly to the bias voltage, even if the output is in the off state. As with any open-collector device, the outputs may be tied together to implement wire-AND logic functions.

### Power Supplies

The comparator family core circuitry operates from a single 1.4V to 18V supply. A minimum 0.1 $\mu\text{F}$  bypass capacitor is required between the  $V_S$  pin and GND. When an output load is connected to the supply rail near the part and the output is sinking more than 5mA, a 1 $\mu\text{F}$  bypass capacitor is recommended. The voltage reference built into the LT6700 can be susceptible to high noise on the supply line, particularly noise that is less than 50kHz and larger than 20mV<sub>p-p</sub>. In order to reduce the probability of a false comparator output in the presence of high supply noise, an RC filter should be used to reduce the noise. This filter can be created simply by adding a series R between the system supply and the LT6700  $V_S$  pin, using the decoupling capacitor to create a lowpass response. It is recommended that the filter have a time constant:

$$t_{RC} > V_N/100$$

Where  $V_N$  is the peak-peak supply noise in millivolts and  $t_{RC}$  is milliseconds.

This filter will also increase the start-up time of the LT6700 by reducing the rate at which the supply can change. When

## APPLICATIONS INFORMATION

using a supply filter, the start-up time of the LT6700 will increase to:

$$t_{START} = (0.17ms + 0.25 \cdot t_{RC}) \cdot \Delta V_S$$

Where  $t_{START}$  and  $t_{RC}$  are in milliseconds and  $\Delta V_S$  is the change in supply in volts. The low supply current of the LT6700 should not cause significant voltage drop due to a 2k maximum series R.

### Flexible Window Comparator

Using the LT6700-1/LT6700HV-1 as shown in the circuits of Figure 1, the wire-AND configuration permits high accuracy window functions to be implemented with a simple 3-resistor voltage divider network. The section A comparator provides the  $V_L$  trip-point and the section B comparator provides the  $V_H$  trip-point, with the built-in hysteresis providing about 1.7% recovery level at each trip point to prevent output chatter.

For designs that are to be optimized to detect *departure* from a window limit, the nominal resistor divider values are selected as follows (refer to the resistor designators shown on the first circuit of Figure 1):

$$R1 \leq 400k \text{ (this sets the divider current } \gg I_B \text{ of inputs)}$$

$$R2 = R1 \cdot (0.98 \cdot V_H/V_L - 1)$$

$$R3 = R1 \cdot (2.5 \cdot V_H - 0.98 \cdot V_H/V_L)$$

To create window functions optimized for detecting *entry* into a window (i.e., where the output is to indicate a “coming into spec” condition, as with the examples in Figure 1),

the nominal resistor values are selected as follows:

$$R1 \leq 400k \text{ (this sets the divider current } \gg I_B \text{ of inputs)}$$

$$R2 = R1 \cdot (1.02 \cdot V_H/V_L - 1)$$

$$R3 = R1 \cdot (2.54 \cdot V_H - 1.02 \cdot V_H/V_L)$$

The worst-case variance of the trip-points is related to the specified threshold limits of the LT6700/LT6700HV device and the basic tolerance of divider resistors used. For resistor tolerance  $R_{TOL}$  (e.g. 0.01 for 1%), the worst-case trip-point voltage (either  $V_H$  or  $V_L$ ) deviations can be predicted as follows (italicized values are taken from the data sheet, expressed in volts):

$$\text{Max dev } V_{TRIP\uparrow} = \pm V_{TRIPnom} \cdot \{2 \cdot R_{TOL} \cdot [(V_{TRIPnom} - 0.4) / V_{TRIPnom}] + 1.25 \cdot (V_{TH(R)max} - V_{TH(R)min})\}$$

$$\text{Max dev } V_{TRIP\downarrow} = \pm V_{TRIPnom} \cdot \{2 \cdot R_{TOL} \cdot [(V_{TRIPnom} - 0.39) / V_{TRIPnom}] + 1.27 \cdot (V_{TH(F)max} - V_{TH(F)min})\}$$

### Generating an External Reference Signal

In some applications, it would be advantageous to have access to a signal that is directly related to the internal 400mV reference, even though the reference itself is not available externally. This can be accomplished to a reasonable degree by using an inverting comparator section as a “bang-bang” servo, establishing a nominal voltage, on an integration capacitor, that is scaled to the reference. This method is used in Figure 2, where the reference level has been doubled to drive a resistor bridge. The section B output cycles on and off to swing the section B input between its hysteresis trip points as the load capacitor

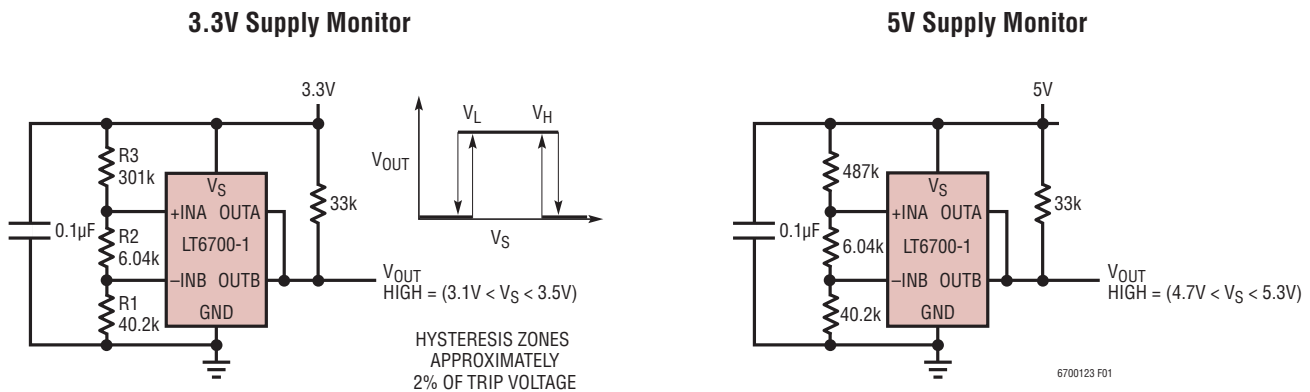


Figure 1. Simple Window Comparator

APPLICATIONS INFORMATION



$R_{TH} = 1M$  (e.g., YSI 44015,  $1.00M\Omega$  AT  $25^\circ C$ )  
 $R_{SET} = R_{TH}$  AT  $T_{SET}$   
 \*RESISTANCE MAY REQUIRE OPTIMIZATION FOR OPERATION  
 OVER INTENDED  $R_{TH}$  AND  $V_{SUPPLY}$  RANGES  
 HYSTERESIS ZONE  $\approx 0.4^\circ C$

Figure 2. Micropower Thermostat/Temperature Alarm

charges and discharges in a shallow, controlled fashion. The multiplied reference signal also contains ripple that is the hysteresis multiplied by the same factor, so additional filtering is performed at the sense node of the bridge to prevent comparator chatter in the section A comparator, which is performing the actual conditional decision for the circuit.

Instrumentation Grade Pulse Width Modulator (PWM)

Comparators with hysteresis are frequently employed to make simple oscillator structures, and the LT6700/

LT6700HV lends itself nicely to forming a charge-balancing PWM function. The circuit shown in Figure 3 forms a PWM that is intended to transmit an isolated representation of a voltage difference, rather like an isolated instrumentation amplifier. The section B comparator is used to generate a 2V reference supply level for the CMOS NOT gate (inverter), which serves as the precision switch element for the charge balancer. The heart of the charge balancer is the section A comparator, which is detecting slight charge or discharge states on the  $0.22\mu F$  “integration” capacitor as it remains balanced at  $\approx 400mV$  by feedback through the NOT gate. The input sense voltage,  $V_{IN}$ , is converted to an imbalance current that the NOT gate duty cycle is continually correcting for, thus the digital waveform at the section A comparator output is a PWM representation of  $V_{IN}$  with respect to the 2V “full scale.” In this particular circuit, the PWM information drives the LED of an opto-coupler, allowing the  $V_{IN}$  information to be coupled across a dielectric barrier. As an additional option to the circuit, the feedback loop can be broken and a second opto-coupler employed to provide the charge balance management. This configuration allows for clocking the comparator output (externally to this circuit) and providing synchronous feedback such that a simple  $\Delta\Sigma$  voltage-to-frequency conversion can be formed if desired. Approximately 11-bit accuracy and noise performance was observed in a one second integration period for duty factors from 1% to 99%.



\*1% METAL FILM  
 \*\*DELETE FOR PWM MODE  
 †CONNECT FOR PWM MODE  
 ††OPTIMIZED FOR 2kHz  $\Delta\Sigma$  SAMPLING,  $f_{PWM(MAX)} \approx 0.6kHz$

Figure 3. Isolated PWM or  $\Delta\Sigma$  Converter

**PACKAGE INFORMATION**

**DCB Package**  
**6-Lead Plastic DFN (2mm × 3mm)**  
 (Reference LTC DWG # 05-08-1715 Rev A)



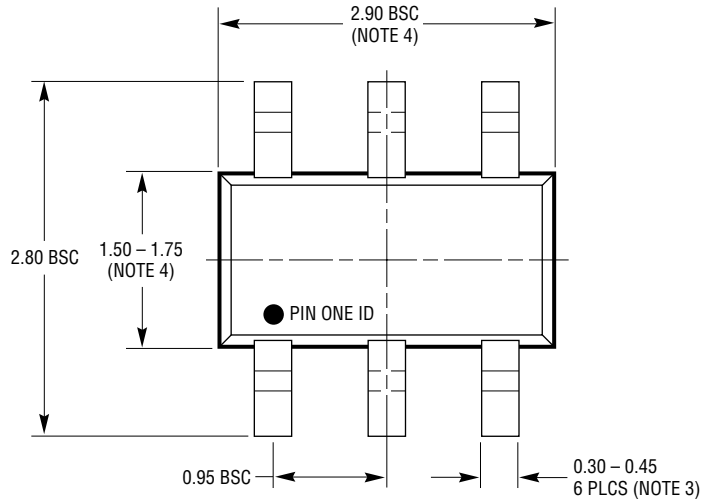
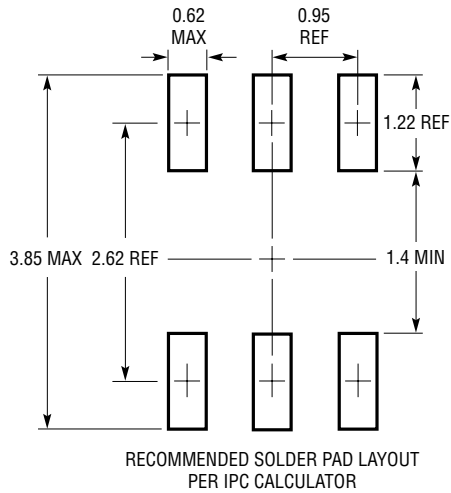
RECOMMENDED SOLDER PAD PITCH AND DIMENSIONS



- NOTE:
1. DRAWING TO BE MADE A JEDEC PACKAGE OUTLINE M0-229 VARIATION OF (TBD)
  2. DRAWING NOT TO SCALE
  3. ALL DIMENSIONS ARE IN MILLIMETERS
  4. DIMENSIONS OF EXPOSED PAD ON BOTTOM OF PACKAGE DO NOT INCLUDE MOLD FLASH. MOLD FLASH, IF PRESENT, SHALL NOT EXCEED 0.15mm ON ANY SIDE
  5. EXPOSED PAD SHALL BE SOLDER PLATED
  6. SHADED AREA IS ONLY A REFERENCE FOR PIN 1 LOCATION ON THE TOP AND BOTTOM OF PACKAGE

## PACKAGE INFORMATION

**S6 Package**  
**6-Lead Plastic TSOT-23**  
 (Reference LTC DWG # 05-08-1636)



S6 TSOT-23 0302 REV B

- NOTE:
1. DIMENSIONS ARE IN MILLIMETERS
  2. DRAWING NOT TO SCALE
  3. DIMENSIONS ARE INCLUSIVE OF PLATING
  4. DIMENSIONS ARE EXCLUSIVE OF MOLD FLASH AND METAL BURR
  5. MOLD FLASH SHALL NOT EXCEED 0.254mm
  6. JEDEC PACKAGE REFERENCE IS MO-193

**REVISION HISTORY** (Revision history begins at Rev G)

| REV | DATE | DESCRIPTION                             | PAGE NUMBER |
|-----|------|---|-------------|
| G   | 5/10 | Power Supplies section updated          | 14          |
|     |      | Modified part number header for clarity | 1 to 20     |
| H   | 6/13 | Web hyperlinks added                    | 1-20        |
|     |      | Addition of MP grade in SOT23 package   | 2, 3        |

## TYPICAL APPLICATIONS

### PowerPath™ Controller



$R1 = 400k / (V_{BATT \text{ AT LOW}} - 0.4)$   
 $R2 = 400k / (V_{BATT \text{ AT MAX}} - 0.4)$   
 HYSTERESIS ZONES APPROXIMATELY 2% OF TRIP VOLTAGE  
 PowerPath IS A TRADEMARK OF LINEAR TECHNOLOGY CORPORATION

### 48V Status Monitor



## RELATED PARTS

| PART NUMBER                     | DESCRIPTION                                  | COMMENTS  |
|---------------------------------|--|---|
| <a href="#">LT1017/LT1018</a>   | Micropower Dual Comparator                   | 1.1V (Min) Supply Voltage, $\pm 1.4\text{mV}$ (Max) Input Offset          |
| <a href="#">LTC1441/LTC1442</a> | Micropower Dual Comparator with 1% Reference | 1.182 $\pm 1\%$ Reference, $\pm 10\text{mV}$ (Max) Input Offset           |
| <a href="#">LTC1998</a>         | Micropower Comparator for Battery Monitoring | 2.5 $\mu\text{A}$ Typ Supply Current, Adjustable Threshold and Hysteresis |
| <a href="#">LT6703</a>          | Micropower Comparator with 400mV Reference   | 1.4V to 18V Supply Current, 6.5 $\mu\text{A}$ Supply Current              |

## Looking for pricing, stock, or lifecycle information?

Click below to explore more details on WIN SOURCE:

- ⊖ [View LT6700CS6-1#TRMPBF on WIN SOURCE](#)
- ⊖ [Linear Technology Information](#)

## Optimize Your Supply Chain with WIN SOURCE Solutions

- ✓ Global Sourcing Solution
- ✓ Obsolete Management
- ✓ Cost Control Management
- ✓ Shortage Management
- ✓ Alternative Solution
- ✓ Excess Inventory Management