



**THE DATASHEET OF  
LT1641-2IS8#TRPBF**



## FEATURES

- Allows Safe Board Insertion and Removal from a Live Backplane
- Controls Supply Voltage from 9V to 80V
- Programmable Analog Foldback Current Limiting
- High Side Drive for an External N-Channel
- Latched Operation Mode (LT1641-1)
- Automatic Retry (LT1641-2)
- User Programmable Supply Voltage Power-Up Rate
- Undervoltage Lockout
- Overvoltage Protection
- Both are available in 8-Lead SO Package

## APPLICATIONS

- Hot Board Insertion
- Electronic Circuit Breaker
- Industrial High Side Switch/Circuit Breaker
- 24V/48V Industrial/Alarm Systems

## DESCRIPTION

The LT<sup>®</sup>1641-1/LT1641-2 are 8-pin Hot Swap<sup>™</sup> controllers that allow a board to be safely inserted and removed from a live backplane. Using an external N-channel pass transistor, the board supply voltage can be ramped up at a programmable rate. A high side switch driver controls an N-channel gate for supply voltages ranging from 9V to 80V.

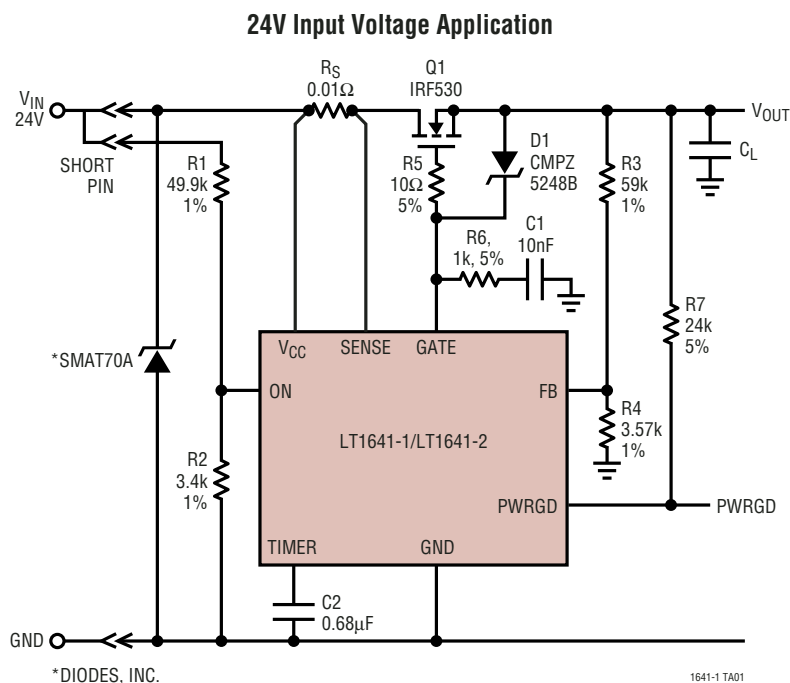
The chips feature a programmable analog foldback current limit circuit. If the chips remain in current limit for more than a programmable time, the N-channel pass transistor is either latched off (LT1641-1) or is set to automatically restart after a time-out delay (LT1641-2).

The PWRGD output indicates when the output voltage, sensed by the FB pin, is within tolerance. The ON pin provides programmable undervoltage lockout.

The LT1641-1/LT1641-2 are available in the 8-lead SO package.

LT, LT, LTC and LTM are registered trademarks of Linear Technology Corporation. All other trademarks are the property of their respective owners.

## TYPICAL APPLICATION



# LT1641-1/LT1641-2

## ABSOLUTE MAXIMUM RATINGS

(Note 1)

|                                      |                |
|--------------------------------------|----------------|
| Supply Voltage ( $V_{CC}$ )          | -0.3V to 100V  |
| Input Voltage (SENSE)                | -0.3V to 100V  |
| Input Voltage (TIMER)                | -0.3V to 44V   |
| Input Voltage (FB, ON)               | -0.3V to 60V   |
| Output Voltage (PWRGD)               | -0.3V to 100V  |
| Output Voltage (GATE)                | -0.3V to 100V  |
| Operating Temperature Range          |                |
| LT1641-1C, LT1641-2C                 | 0°C to 70°C    |
| LT1641-1I, LT1641-2I                 | -40°C to 85°C  |
| Storage Temperature Range            | -65°C to 150°C |
| Lead Temperature (Soldering, 10 sec) | 300°C          |

## PACKAGE/ORDER INFORMATION

|   |                 |
|---|-----------------|
|   |                 |
| ORDER PART NUMBER   | S8 PART MARKING |
| LT1641-1CS8   | 16411           |
| LT1641-1IS8   | 16411I          |
| LT1641-2CS8   | 16412           |
| LT1641-2IS8   | 16412I          |
| <b>Order Options</b> Tape and Reel: Add #TR<br>Lead Free: Add #PBF Lead Free Tape and Reel: Add #TRPBF<br>Lead Free Part Marking: <a href="http://www.linear.com/leadfree/">http://www.linear.com/leadfree/</a> |                 |

Consult LTC Marketing for parts specified with wider operating temperature ranges.

## DC ELECTRICAL CHARACTERISTICS

The ● denotes the specifications which apply over the full operating temperature range, otherwise specifications are at  $T_A = 25^\circ\text{C}$ .  $V_{CC} = 24\text{V}$

| SYMBOL            | PARAMETER                                       | CONDITIONS   | MIN | TYP   | MAX   | UNITS         |               |
|-------------------|---|--|-----|-------|-------|---------------|---------------|
| $V_{CC}$          | $V_{CC}$ Operating Range                        |  | ●   | 9     | 80    | V             |               |
| $I_{CC}$          | $V_{CC}$ Supply Current                         | ON = 3V  | ●   | 2     | 5.5   | mA            |               |
| $V_{LKO}$         | $V_{CC}$ Undervoltage Lockout                   |  | ●   | 7.5   | 8.3   | 8.8           | V             |
| $V_{FBH}$         | FB Pin High Voltage Threshold                   | FB Low to High Transition  | ●   | 1.280 | 1.313 | 1.345         | V             |
| $V_{FBL}$         | FB Pin Low Voltage Threshold                    | FB High to Low Transition  | ●   | 1.221 | 1.233 | 1.245         | V             |
| $V_{FBHST}$       | FB Pin Hysteresis Voltage                       |  |     | 80    |       | mV            |               |
| $I_{INFB}$        | FB Pin Input Current                            | $V_{FB} = \text{GND}$  |     |       | -1    | $\mu\text{A}$ |               |
| $\Delta V_{FB}$   | FB Pin Threshold Line Regulation                | $9\text{V} \leq V_{CC} \leq 80\text{V}$  | ●   |       | 0.05  | mV/V          |               |
| $V_{SENSETRIP}$   | SENSE Pin Trip Voltage ( $V_{CC} - V_{SENSE}$ ) | $V_{FB} = 0\text{V}$<br>$V_{FB} = 1\text{V}$   | ●   | 8     | 12    | 17            | mV            |
|                   |   |  | ●   | 39    | 47    | 55            | mV            |
| $I_{GATEUP}$      | GATE Pin Pull-Up Current                        | Charge Pump On, $V_{GATE} = 7\text{V}$   | ●   | -5    | -10   | -20           | $\mu\text{A}$ |
| $I_{GATEDN}$      | GATE Pin Pull-Down Current                      | Any Fault Condition, $V_{GATE} = 2\text{V}$  | ●   | 35    | 70    | 100           | mA            |
| $\Delta V_{GATE}$ | External N-Channel Gate Drive                   | $V_{GATE} - V_{CC}$ , $V_{CC} = 10.8\text{V to } 20\text{V}$<br>$V_{CC} = 20\text{V to } 80\text{V}$ | ●   | 4.5   |       | 18            | V             |
|                   |   |  | ●   | 10    |       | 18            | V             |
| $I_{TIMERUP}$     | TIMER Pin Pull-Up Current                       | $V_{TIMER} = 0\text{V}$  | ●   | -24   | -80   | -132          | $\mu\text{A}$ |
| $I_{TIMERON}$     | TIMER Pin Pull-Down Current                     | $V_{TIMER} = 1\text{V}$  | ●   | 1.5   | 3     | 5             | $\mu\text{A}$ |
| $V_{ONH}$         | ON Pin High Threshold                           | ON Low to High Transition  | ●   | 1.280 | 1.313 | 1.345         | V             |
| $V_{ONL}$         | ON Pin Low Threshold                            | ON High to Low Transition  | ●   | 1.221 | 1.233 | 1.245         | V             |
| $V_{ONHYST}$      | ON Pin Hysteresis                               |  |     | 80    |       | mV            |               |
| $I_{INON}$        | ON Pin Input Current                            | $V_{ON} = \text{GND}$  |     |       | -1    | $\mu\text{A}$ |               |
| $V_{OL}$          | PWRGD Output Low Voltage                        | $I_O = 2\text{mA}$<br>$I_O = 4\text{mA}$   | ●   |       | 0.4   | V             |               |
|                   |   |  | ●   |       | 2.5   | V             |               |
| $I_{OH}$          | PWRGD Pin Leakage Current                       | $V_{PWRGD} = 80\text{V}$   | ●   |       | 10    | $\mu\text{A}$ |               |

164112fc

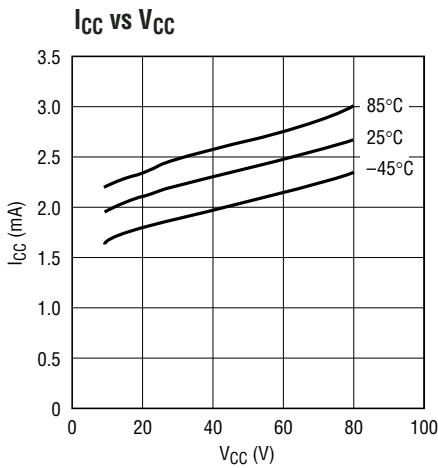
## AC ELECTRICAL CHARACTERISTICS $T_A = 25^\circ\text{C}$ , $V_{CC} = 24\text{V}$

| SYMBOL         | PARAMETER                                  | CONDITIONS   | MIN | TYP | MAX | UNITS         |
|----------------|--|--------------|-----|-----|-----|---------------|
| $t_{PHLON}$    | ON Low to GATE Low                         | Figures 1, 2 |     | 6   |     | $\mu\text{s}$ |
| $t_{PLHON}$    | ON High to GATE High                       | Figures 1, 2 |     | 1.7 |     | $\mu\text{s}$ |
| $t_{PHLFB}$    | FB Low to PWRGD Low                        | Figures 1, 3 |     | 3.2 |     | $\mu\text{s}$ |
| $t_{PLHFB}$    | FB High to PWRGD High                      | Figures 1, 3 |     | 1.5 |     | $\mu\text{s}$ |
| $t_{PHLSENSE}$ | $(V_{CC} - \text{SENSE})$ High to GATE Low | Figures 1, 4 | 0.5 | 1   | 2   | $\mu\text{s}$ |

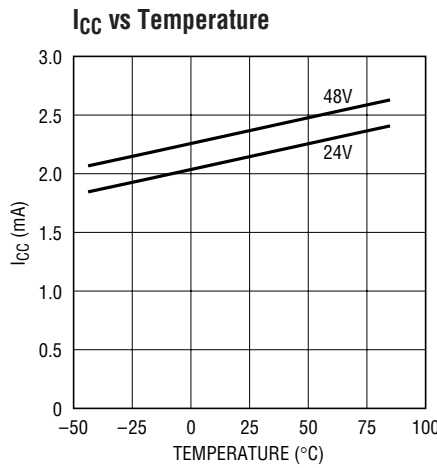
**Note 1:** Stresses beyond those listed under Absolute Maximum Ratings may cause permanent damage to the device. Exposure to any Absolute Maximum Rating condition for extended periods may affect device reliability and lifetime.

**Note 2:** All currents into device pins are positive; all currents out of device pins are negative. All voltages are referenced to ground unless otherwise specified.

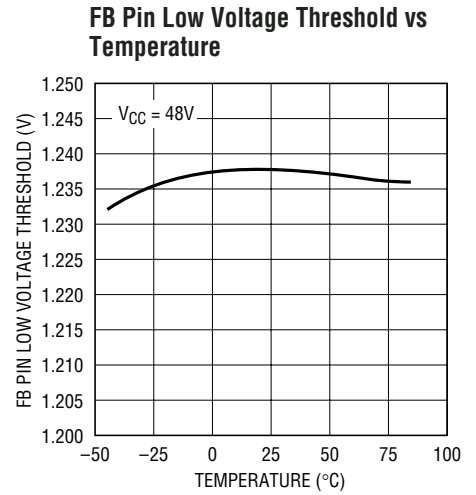
## TYPICAL PERFORMANCE CHARACTERISTICS



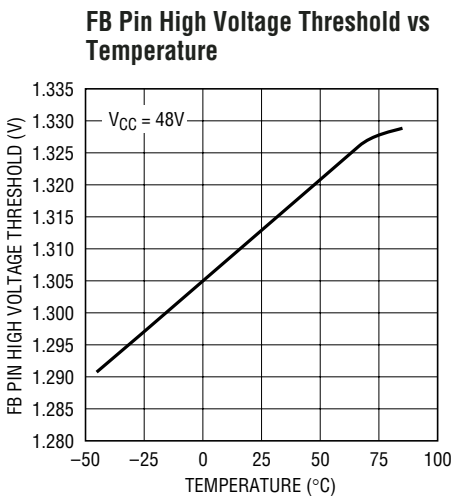
1641-1 G01



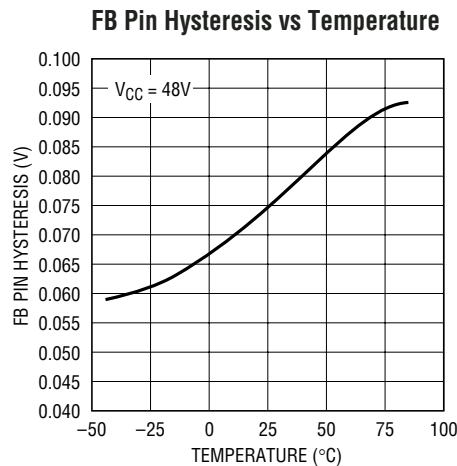
1641-1 G02



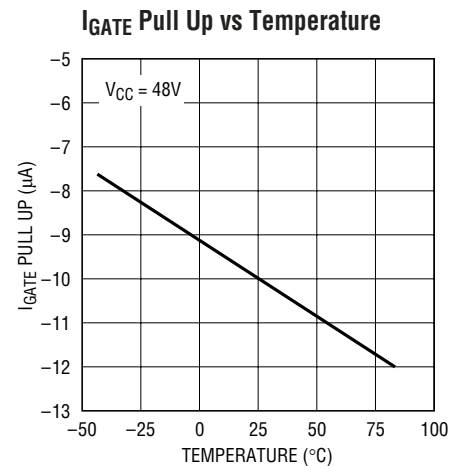
1641-1 G03



1641-1 G04



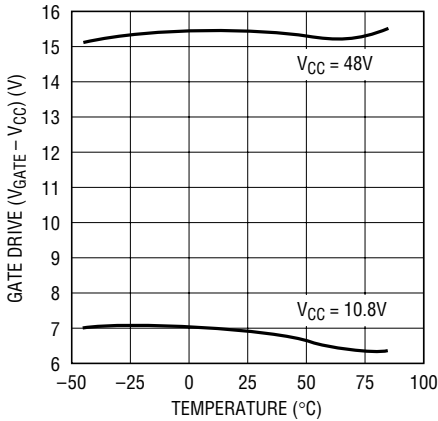
1641-1 G05



1641-1 G06

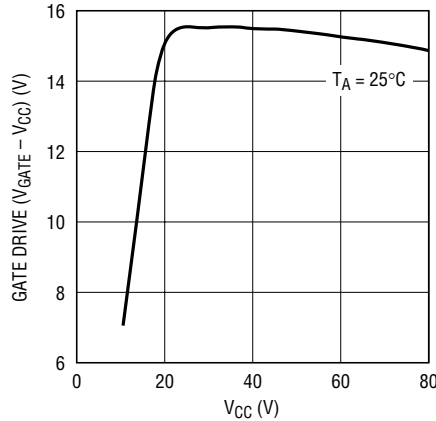
**TYPICAL PERFORMANCE CHARACTERISTICS**

**Gate Drive vs Temperature**



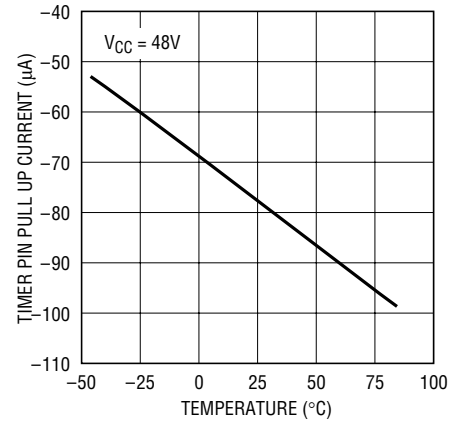
1641-1 G07

**Gate Drive vs V<sub>CC</sub>**



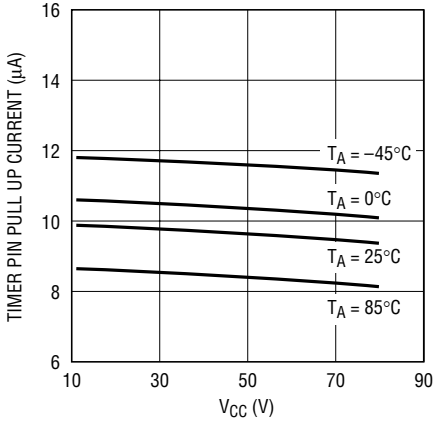
1641-1 G08

**TIMER Pin Pull Up Current vs Temperature**



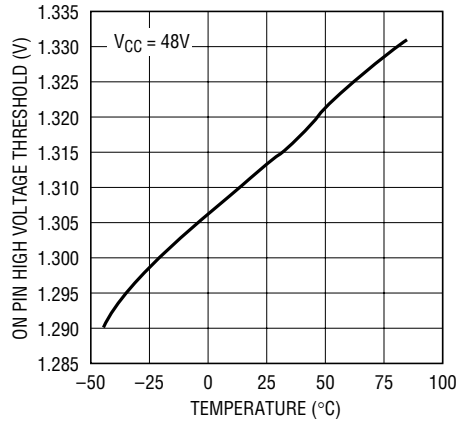
1641-1 G09

**TIMER Pin Pull Up Current vs V<sub>CC</sub>**



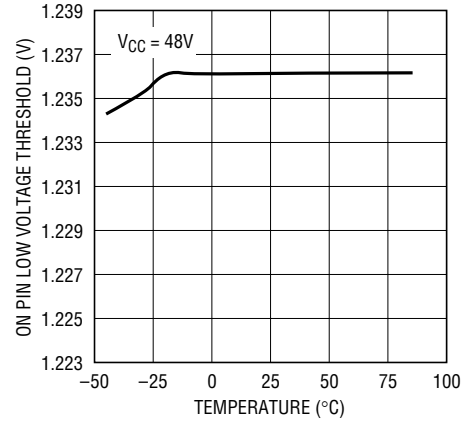
1641-1 G10

**ON Pin High Voltage Threshold vs Temperature**



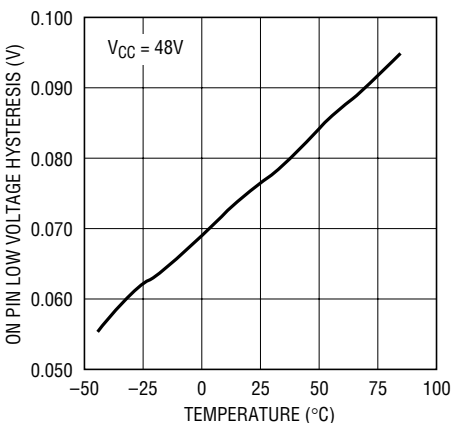
1641-1 G11

**ON Pin Low Voltage Threshold vs Temperature**



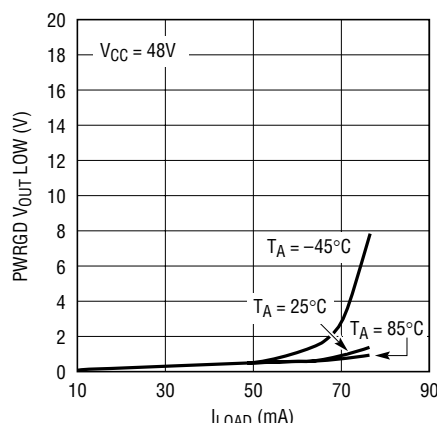
1641-1 G12

**ON Pin Voltage Hysteresis vs Temperature**



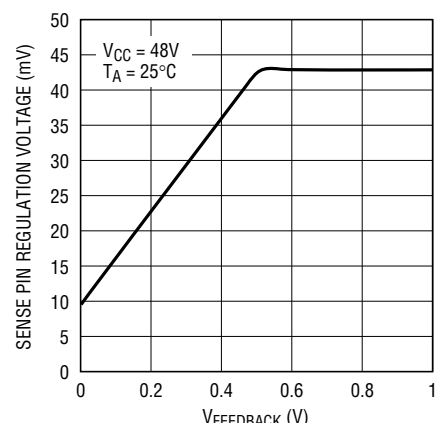
1641-1 G13

**PWRGD V<sub>OUT</sub> Low vs I<sub>LOAD</sub>**



1641-1 G14

**SENSE Pin Regulation Voltage vs V<sub>FEEDBACK</sub>**



1641-1 G15

## PIN FUNCTIONS

**ON (Pin 1):** The ON pin is used to implement undervoltage lockout. When the ON pin is pulled below the 1.233V High-to-Low threshold voltage, an undervoltage condition is detected and the GATE pin is pulled low to turn the MOSFET off. When the ON pin rises above the 1.313V Low-to-High threshold voltage, the MOSFET is turned on again.

Pulsing the ON pin low after a current limit fault will reset the fault latch and allow the part to turn back on.

**FB (Pin 2):** Power Good Comparator Input. It monitors the output voltage with an external resistive divider. When the voltage on the FB pin is lower than the High-to-Low threshold of 1.233V, the PWRGD pin is pulled low and released when the FB pin is pulled above the 1.313V Low-to-High threshold.

The FB pin also effects foldback current limit (see Figure 7 and related discussion).

**PWRGD (Pin 3):** Open Collector Output to GND. The PWRGD pin is pulled low whenever the voltage at the FB pin falls below the High-to-Low threshold voltage. It goes into a high impedance state when the voltage on the FB pin exceeds the Low-to-High threshold voltage. An external pull-up resistor can pull the pin to a voltage higher or lower than  $V_{CC}$ .

**GND (Pin 4):** Chip Ground.

**TIMER (Pin 5):** Timing Input. An external timing capacitor at this pin programs the maximum time the part is allowed to remain in current limit.

When the part goes into current limit, an 77 $\mu$ A pull-up current source starts to charge the timing capacitor. When the voltage on the TIMER pin reaches 1.233V, the GATE pin is pulled low; the pull-up current will be turned off and the capacitor is discharged by a 3 $\mu$ A pull-down current. When the TIMER pin falls below 0.5V, the GATE pin either turns on automatically (LT1641-2) or turns on once the ON pin is pulsed low to reset the internal fault latch (LT1641-1). If the ON pin is not cycled low, the GATE pin remains latched off. Use no less than 1.5nF for the timing capacitor, C2.

**GATE (Pin 6):** The High Side Gate Drive for the External N-Channel. An internal charge pump guarantees at least 10V of gate drive for supply voltages above 20V and 4.5V gate drive for supply voltages between 10.8V and 20V. The rising slope of the voltage at the GATE is set by an external capacitor connected from the GATE pin to GND and an internal 10 $\mu$ A pull-up current source from the charge pump output.

When the current limit is reached, the GATE pin voltage will be adjusted to maintain a constant voltage across the sense resistor while the timer capacitor starts to charge. If the TIMER pin voltage exceeds 1.233V, the GATE pin will be pulled low.

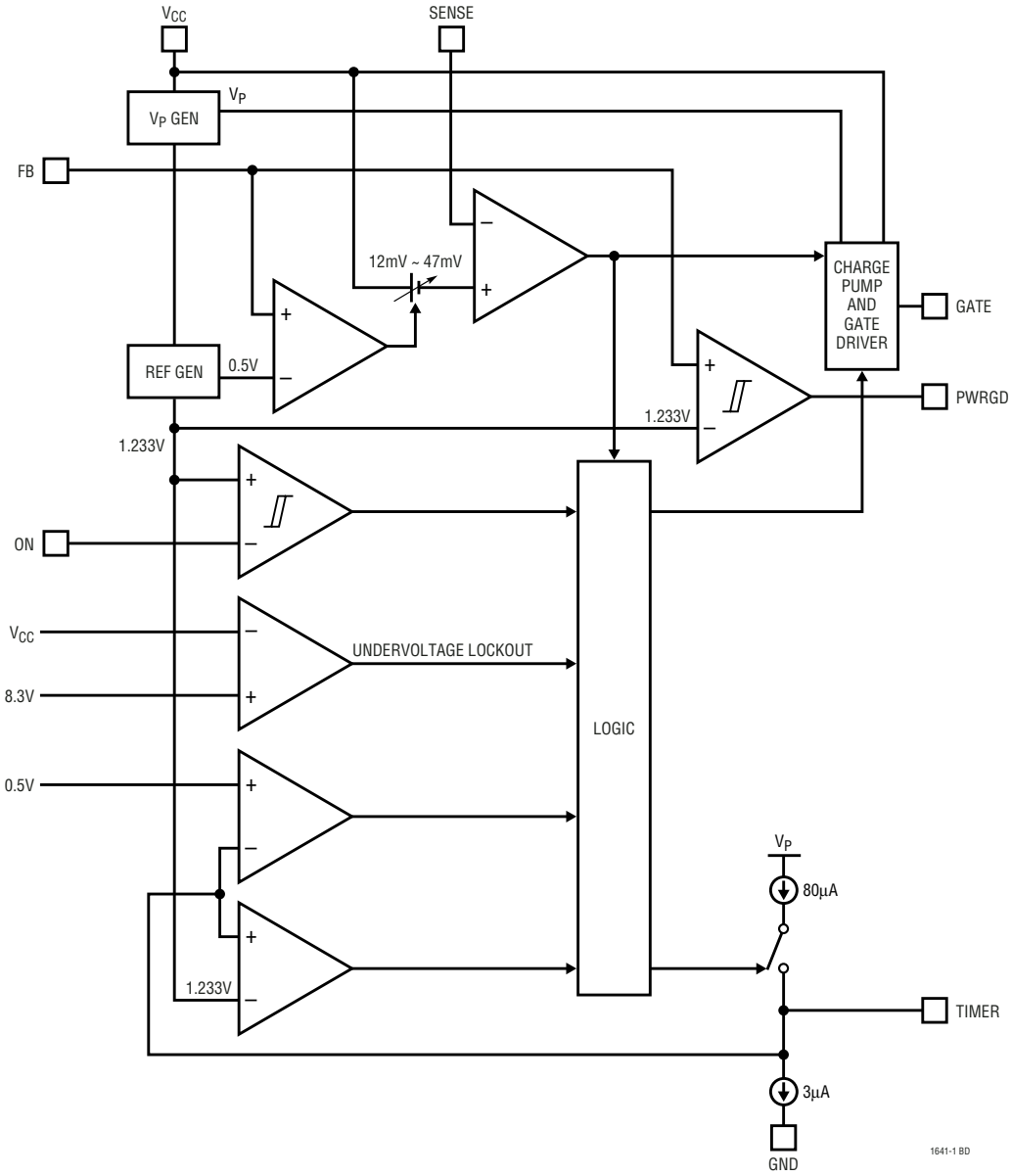
The GATE pin is pulled to GND whenever the ON pin is pulled low, the  $V_{CC}$  supply voltage drops below the 8.3V undervoltage lockout threshold or the TIMER pin rises above 1.233V.

**SENSE (Pin 7):** The Current Limit Sense Pin. A sense resistor must be placed in the supply path between  $V_{CC}$  and SENSE. The current limit circuit will regulate the voltage across the sense resistor ( $V_{CC} - V_{SENSE}$ ) to 47mV when  $V_{FB}$  is 0.5V or higher. If  $V_{FB}$  drops below 0.5V, the voltage across the sense resistor decreases linearly and stops at 12mV when  $V_{FB}$  is 0V.

To defeat current limit, short the SENSE pin to the  $V_{CC}$  pin.

**$V_{CC}$  (Pin 8):** The Positive Supply Input ranges from 9V to 80V for normal operation.  $I_{CC}$  is typically 2mA. An internal undervoltage lockout circuit disables the chip for inputs less than 8.3V.

**BLOCK DIAGRAM**



**TEST CIRCUIT**

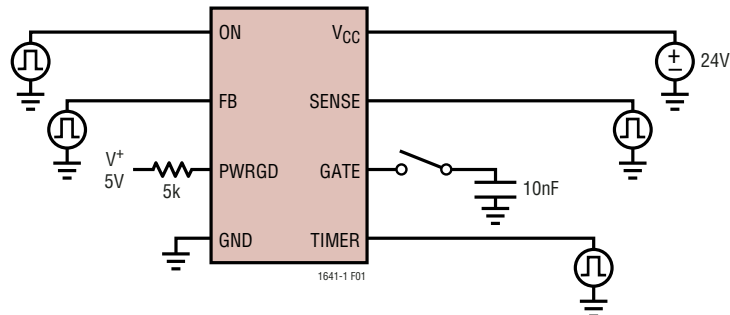


Figure 1

## TIMING DIAGRAMS

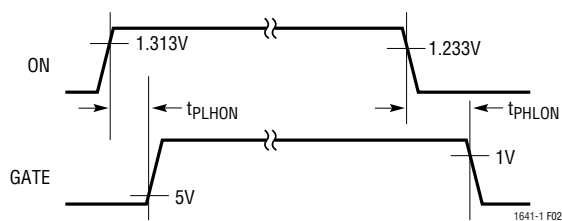


Figure 2. ON to GATE Timing

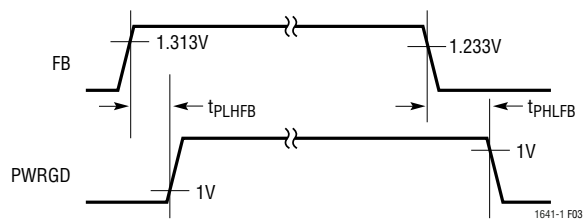


Figure 3. FB to PWRGD Timing

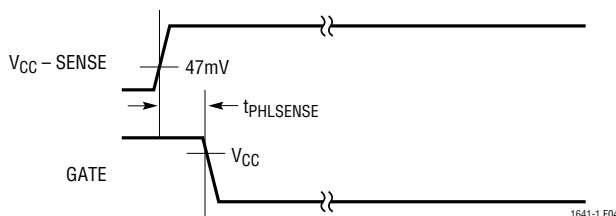


Figure 4. SENSE to GATE Timing

## APPLICATIONS INFORMATION

### Hot Circuit Insertion

When circuit boards are inserted into a live backplane, the supply bypass capacitors on the boards draw high peak currents from the backplane power bus as they charge up. The transient currents can permanently damage the connector pins and glitch the system supply, causing other boards in the system to reset.

The chip is designed to turn on a board's supply voltage in a controlled manner, allowing the board to be safely inserted or removed from a live backplane. The chip also provides undervoltage and overcurrent protection while a power good output signal indicates when the output supply voltage is ready.

### Power-Up Sequence

The power supply on a board is controlled by placing an external N-channel pass transistor (Q1) in the power path (Figure 5). Resistor  $R_S$  provides current detection and capacitor C1 provides control of the GATE slew rate.

Resistor R6 provides current control loop compensation while R5 prevents high frequency oscillations in Q1. Resistors R1 and R2 provide undervoltage sensing.

After the power pins first make contact, transistor Q1 is turned off. If the voltage at the ON pin exceeds the turn-on threshold voltage, the voltage on the  $V_{CC}$  pin exceeds the undervoltage lockout threshold, and the voltage on the TIMER pin is less than 1.233V, transistor Q1 will be turned on (Figure 6). The voltage at the GATE pin rises with a slope equal to  $10\mu\text{A}/\text{C1}$  and the supply inrush current is set at  $I_{\text{INRUSH}} = C_L \cdot 10\mu\text{A}/\text{C1}$ . If the voltage across the current sense resistor  $R_S$  gets too high, the inrush current will then be limited by the internal current limit circuitry which adjusts the voltage on the GATE pin to maintain a constant voltage across the sense resistor.

Once the voltage at the output has reached its final value, as sensed by resistors R3 and R4, the PWRGD pin goes high.

**APPLICATIONS INFORMATION**

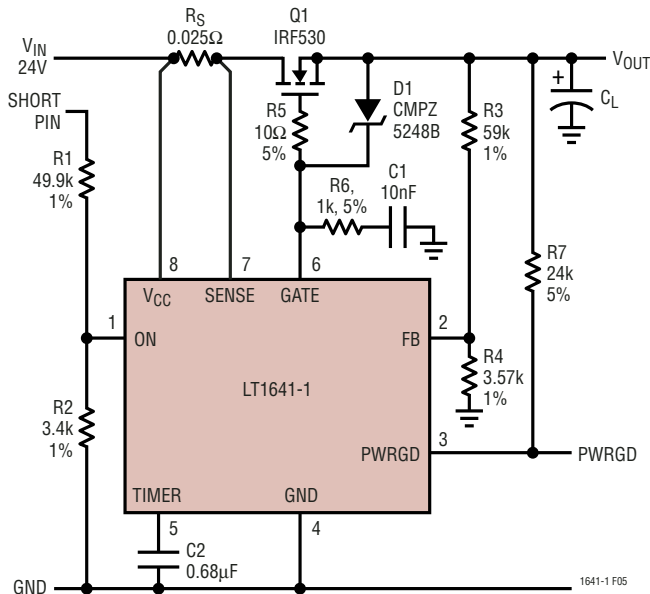


Figure 5. Typical Application

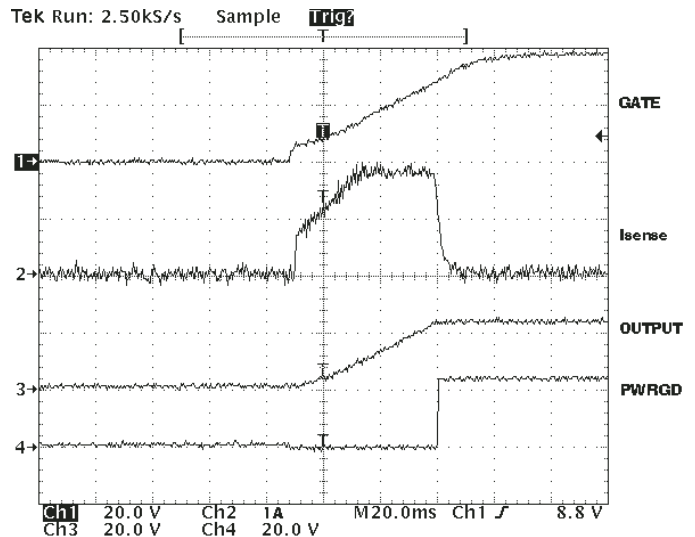


Figure 6. Power-Up Waveforms

**Short-Circuit Protection**

The chip features a programmable foldback current limit with an electronic circuit breaker that protects against short-circuits or excessive supply currents. The current limit is set by placing a sense resistor between V<sub>CC</sub> (Pin 8) and SENSE (Pin 7).

To prevent excessive power dissipation in the pass transistor and to prevent voltage spikes on the input supply during short-circuit conditions at the output, the current folds back as a function of the output voltage, which is sensed at the FB pin (Figure 7).

When the voltage at the FB pin is 0V, the current limit circuit drives the GATE pin to force a constant 12mV drop across the sense resistor. As the output voltage at the FB pin increases, the voltage across the sense resistor increases until the FB pin reaches 0.5V, at which point the voltage across the sense resistor is held constant at 47mV.

The maximum current limit is calculated as:

$$I_{LIMIT} = 47\text{mV}/R_{SENSE}$$

For a 0.025Ω sense resistor, the current limit is set at 1.88A and folds back to 480mA when the output is shorted to ground.

The IC also features a variable overcurrent response time. The time required to regulate Q1’s drain current depends on: Q1’s input capacitance; gate capacitor C1 and compensation resistor R6; and the internal delay from the SENSE to the GATE pin. Figure 8 shows the delay from a voltage step at the SENSE pin until the GATE voltage starts falling, as a function of overdrive.

**TIMER**

The TIMER pin (Pin 5) provides a method for programming the maximum time the chip is allowed to operate in current limit. When the current limit circuitry is not active, the TIMER pin is pulled to GND by a 3μA current source. After the current limit circuit becomes active, an 80μA pull-up current source is connected to the TIMER pin and the voltage will rise with a slope equal to 77μA/C<sub>TIMER</sub> as long as the current limit circuit remains active. Once the desired maximum current limit time is set, the capacitor value is: C(nF) = 62 • t(ms).

If the current limit circuit turns off, the TIMER pin will be discharged to GND by the 3μA current source.

Whenever the TIMER pin reaches 1.233V, either the internal fault latch is set (LT1641-1) or the autorestart latch is set (LT1641-2). The GATE pin is immediately pulled to GND and the TIMER pin is pulled back to GND by the 3μA

## APPLICATIONS INFORMATION

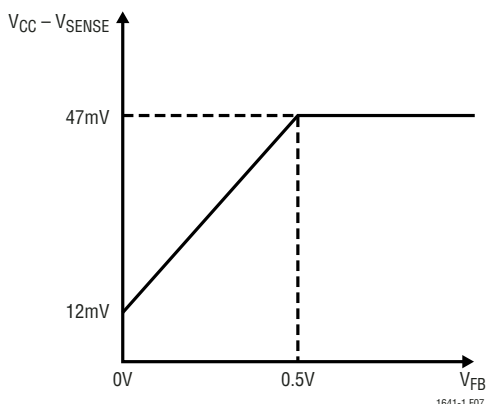


Figure 7. Current Limit Sense Voltage vs Feedback Pin Voltage

current source. When the TIMER pin falls below 0.5V, the GATE pin either turns on automatically (LT1641-2) or once the ON pin is pulsed low to reset the internal fault latch (LT1641-1).

The waveform in Figure 9 shows how the output latches off following a short-circuit. The drop across the sense resistor is held at 12mV as the timer ramps up. Since the output did not rise bringing FB above 0.5V, the circuit latches off. For Figure 9,  $C_T = 100\text{nF}$ .

### Undervoltage and Overvoltage Detection

The ON pin can be used to detect an undervoltage condition at the power supply input. The ON pin is internally connected to an analog comparator with 80mV of hysteresis. If the ON pin falls below its threshold voltage (1.233V), the GATE pin is pulled low and is held low until ON is high again.

Figure 10 shows an overvoltage detection circuit. When the input voltage exceeds the Zener diode's breakdown voltage, D2 turns on and starts to pull the TIMER pin high. After the TIMER pin is pulled higher than 1.233V, the fault latch is set and the GATE pin is pulled to GND immediately, turning off transistor Q1. The waveforms are shown in Figure 11. Operation is restored either by interrupting power or by pulsing ON low.

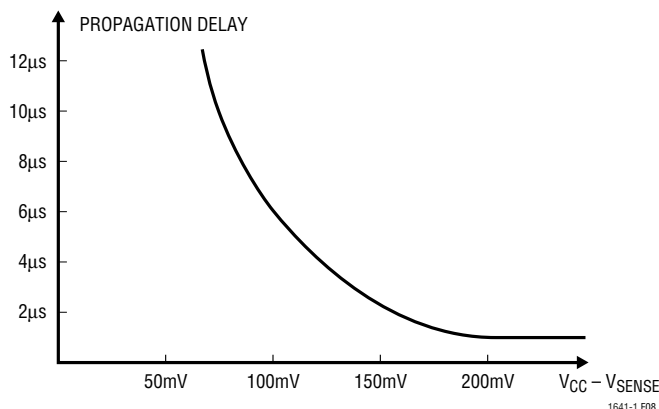


Figure 8. Response Time to Overcurrent

### Power Good Detection

The chip includes a comparator for monitoring the output voltage. The noninverting input (FB pin) is compared against an internal 1.233V precision reference and exhibits its 80mV hysteresis. The comparator's output (PWRGD pin) is an open collector capable of operating from a pull-up as high as 100V.

The PWRGD pin can be used to directly enable/disable a power module with an active high enable input. Figure 12 shows how to use the PWRGD pin to control an active low enable input power module. Signal inversion is accomplished by transistor Q2 and R7.

### Supply Transient Protection

The IC is 100% tested and guaranteed to be safe from damage with supply voltages up to 100V. However, spikes above 100V may damage the part. During a short-circuit condition, the large change in currents flowing through the power supply traces can cause inductive voltage spikes which could exceed 100V. To minimize the spikes, the power trace parasitic inductance should be minimized by using wider traces or heavier trace plating and a 0.1μF bypass capacitor placed between V<sub>CC</sub> and GND. A surge suppressor at the input can also prevent damage from voltage surges.

APPLICATIONS INFORMATION

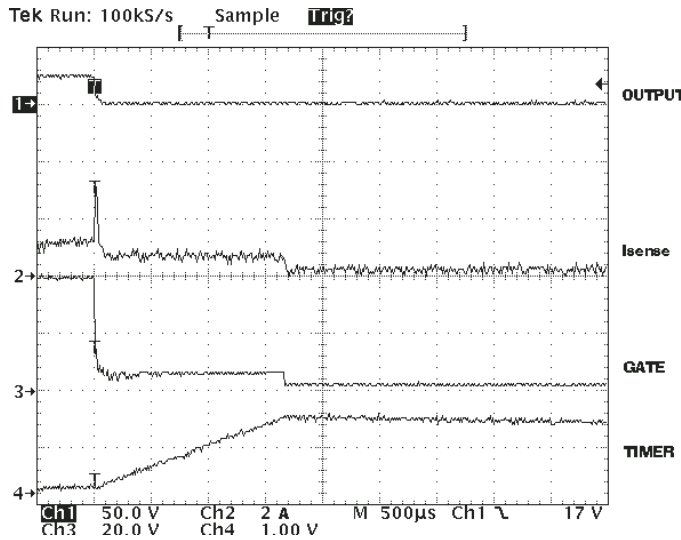


Figure 9. Short-Circuit Waveforms

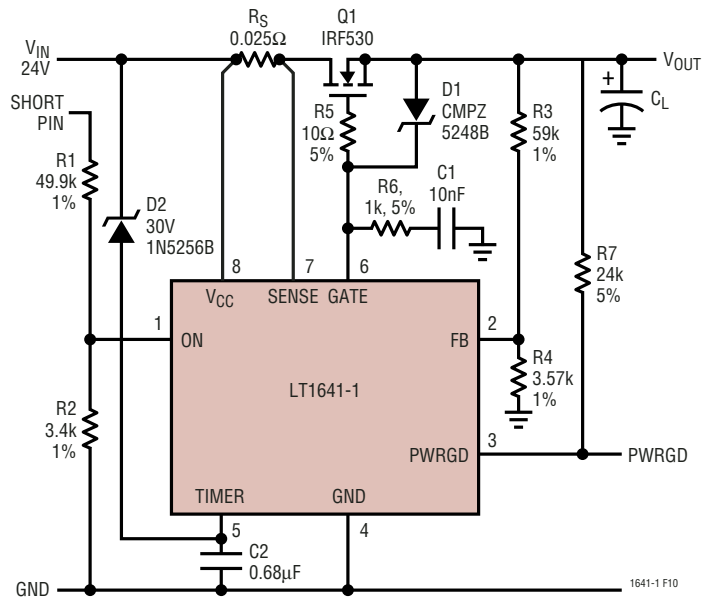


Figure 10. Overvoltage Detection

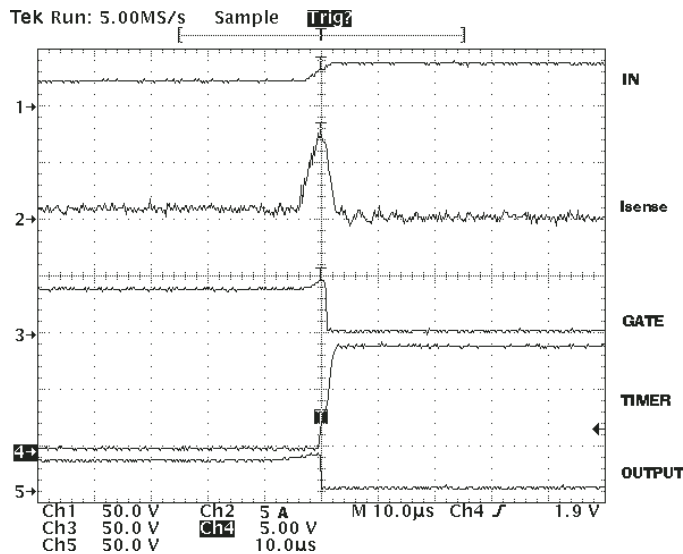


Figure 11. Overvoltage Waveforms

GATE Pin Voltage

A curve of gate drive vs  $V_{CC}$  is shown in Figure 13. The GATE pin is clamped to a maximum voltage of 18V above the input voltage. At minimum input supply voltage of 9V, the minimum gate drive voltage is 4.5V. When the input

supply voltage is higher than 20V, the gate drive voltage is at least 10V and a regular N-FET can be used. In applications over a 9V to 24V range, a logic level N-FET must be used with a proper protection Zener diode between its gate and source (as D1 shown is Figure 5).

## APPLICATIONS INFORMATION

### Layout Considerations

To achieve accurate current sensing, a Kelvin connection is recommended. The minimum trace width for 1oz copper foil is 0.02" per amp to make sure the trace stays at a reasonable temperature. 0.03" per amp or wider is recommended. Note that 1oz copper exhibits a sheet resistance of about  $530\mu\Omega/\square$ . Small resistances add up quickly in

high current applications. To improve noise immunity, put the resistor divider to the ON pin close to the chip and keep traces to  $V_{CC}$  and GND short. A  $0.1\mu\text{F}$  capacitor from the ON pin to GND also helps reject induced noise. Figure 14 shows a layout that addresses these issues.

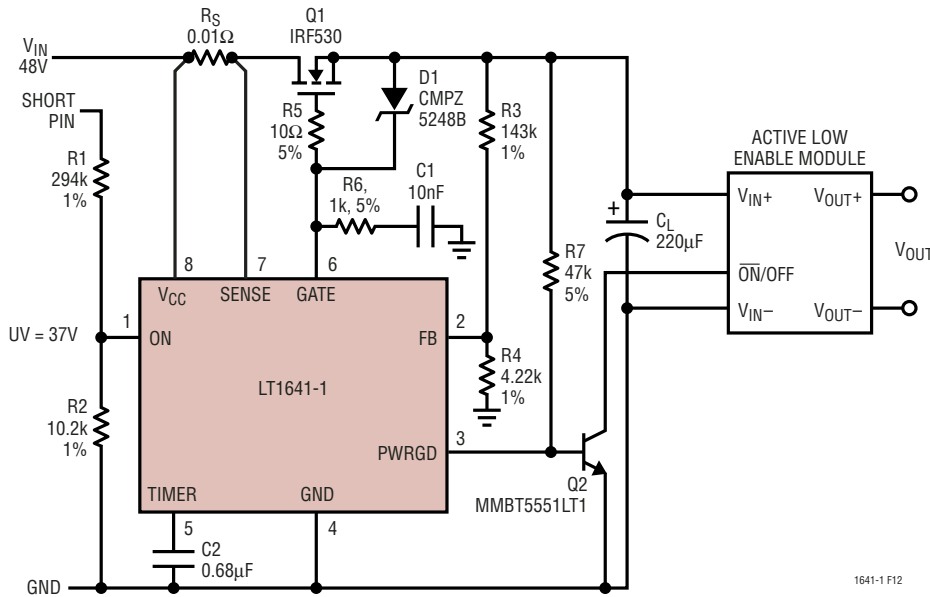


Figure 12. Active Low Enable Module

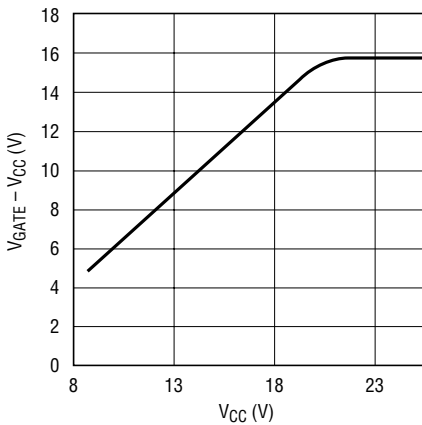


Figure 13. Gate Drive vs Supply Voltage

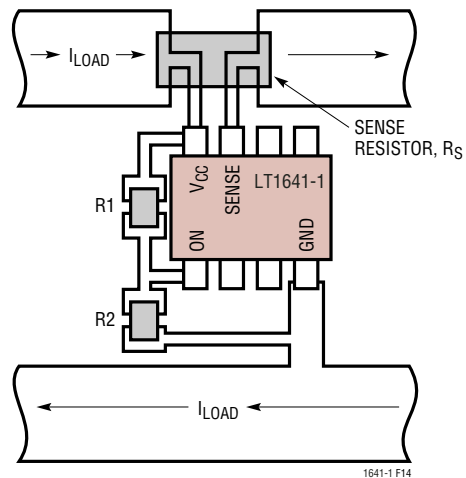
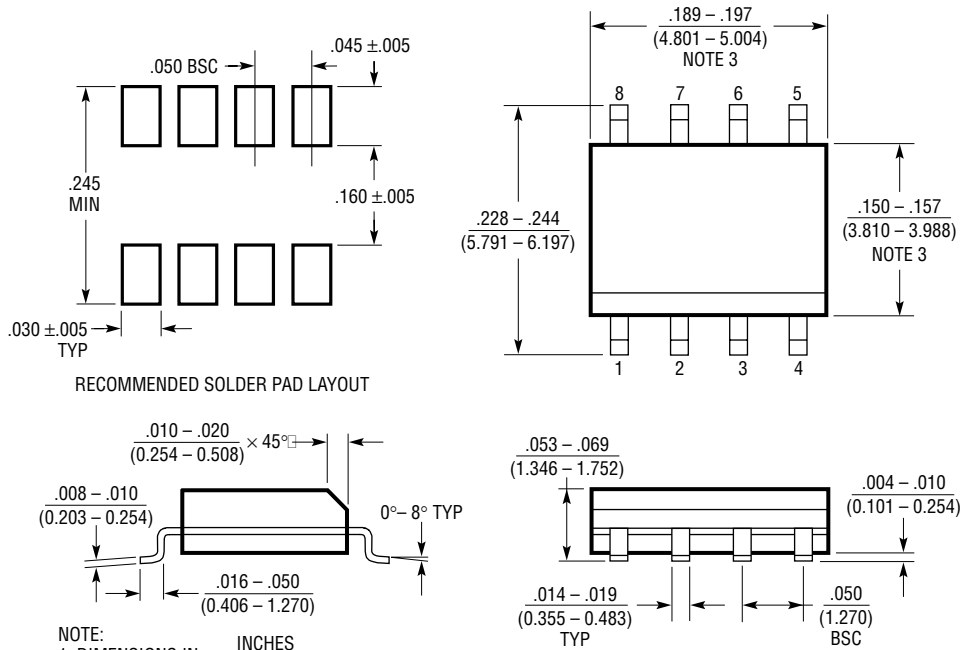


Figure 14. Recommended Layout for R1, R2 and R<sub>S</sub>

**PACKAGE DESCRIPTION**

**S8 Package**  
**8-Lead Plastic Small Outline (Narrow .150 Inch)**  
 (Reference LTC DWG # 05-08-1610)



NOTE:  
 1. DIMENSIONS IN INCHES (MILLIMETERS)  
 2. DRAWING NOT TO SCALE  
 3. THESE DIMENSIONS DO NOT INCLUDE MOLD FLASH OR PROTRUSIONS.  
 MOLD FLASH OR PROTRUSIONS SHALL NOT EXCEED .006" (0.15mm)

S08 0303

**RELATED PARTS**

| PART NUMBER | DESCRIPTION                                 | COMMENTS   |
|-------------|---|--|
| LT1640A     | Negative High Voltage Hot Swap Controller   | Controls an N-FET at Negative Side to -80V               |
| LTC1421     | Dual Channel Hot Swap Controller            | Operates Two Supplies from 3V to 12V and a Third to -12V |
| LTC1422     | High Side Drive Hot Swap Controller in SO-8 | System Reset Output with Programmable Delay              |
| LTC1643     | PCI Hot Swap Controller                     | 3.3V, 5V, 12V, -12V Supplies for PCI Bus                 |
| LTC1642     | Fault Protected Hot Swap Controller         | Operates from 3V to 16.5V, Handles Surges to 33V         |
| LT4250      | Negative 48V Hot Swap Controller            | Active Current Limiting for Supplies from -20V to -80V   |

## Looking for pricing, stock, or lifecycle information?

Click below to explore more details on WIN SOURCE:

 [View LT1641-2IS8#TRPBF on WIN SOURCE](#)

 [Linear Technology](#) Information

## Optimize Your Supply Chain with WIN SOURCE Solutions

-  Global Sourcing Solution
-  Obsolete Management
-  Cost Control Management
-  Shortage Management
-  Alternative Solution
-  Excess Inventory Management