



P89LPC932A1

8-bit microcontroller with accelerated two-clock 80C51 core
8 kB 3 V byte-erasable flash with 512-byte data EEPROM

Rev. 03 — 12 March 2007

Product data sheet

1. General description

The P89LPC932A1 is a single-chip microcontroller, available in low cost packages, based on a high performance processor architecture that executes instructions in two to four clocks, six times the rate of standard 80C51 devices. Many system-level functions have been incorporated into the P89LPC932A1 in order to reduce component count, board space, and system cost.

2. Features

2.1 Principal features

- 8 kB byte-erasable flash code memory organized into 1 kB sectors and 64-byte pages. Single-byte erasing allows any byte(s) to be used as non-volatile data storage.
- 256-byte RAM data memory, 512-byte auxiliary on-chip RAM.
- 512-byte customer data EEPROM on chip allows serialization of devices, storage of set-up parameters, etc.
- Two analog comparators with selectable inputs and reference source.
- Two 16-bit counter/timers (each may be configured to toggle a port output upon timer overflow or to become a PWM output) and a 23-bit system timer that can also be used as a RTC.
- Enhanced UART with fractional baud rate generator, break detect, framing error detection, and automatic address detection; 400 kHz byte-wide I²C-bus communication port and SPI communication port.
- CCU provides PWM, input capture, and output compare functions.
- High-accuracy internal RC oscillator option allows operation without external oscillator components. The RC oscillator option is selectable and fine tunable.
- 2.4 V to 3.6 V V_{DD} operating range. I/O pins are 5 V tolerant (may be pulled up or driven to 5.5 V).
- 28-pin TSSOP, PLCC, HVQFN, and DIP packages with 23 I/O pins minimum and up to 26 I/O pins while using on-chip oscillator and reset options.

2.2 Additional features

- A high performance 80C51 CPU provides instruction cycle times of 111 ns to 222 ns for all instructions except multiply and divide when executing at 18 MHz. This is six times the performance of the standard 80C51 running at the same clock frequency. A lower clock frequency for the same performance results in power savings and reduced EMI.

- In-Circuit Programming (ICP) allows simple production coding with commercial EPROM programmers. Flash security bits prevent reading of sensitive application programs.
- Serial flash In-System Programming (ISP) allows coding while the device is mounted in the end application.
- In-Application Programming (IAP) of the flash code memory. This allows changing the code in a running application.
- Watchdog timer with separate on-chip oscillator, requiring no external components. The watchdog prescaler is selectable from eight values.
- Low voltage reset (brownout detect) allows a graceful system shutdown when power fails. May optionally be configured as an interrupt.
- Idle and two different power-down reduced power modes. Improved wake-up from Power-down mode (a LOW interrupt input starts execution). Typical power-down current is 1 μ A (total power-down with voltage comparators disabled).
- Active-LOW reset. On-chip power-on reset allows operation without external reset components. A reset counter and reset glitch suppression circuitry prevent spurious and incomplete resets. A software reset function is also available.
- Configurable on-chip oscillator with frequency range options selected by user programmed flash configuration bits. Oscillator options support frequencies from 20 kHz to the maximum operating frequency of 18 MHz.
- Oscillator fail detect. The watchdog timer has a separate fully on-chip oscillator allowing it to perform an oscillator fail detect function.
- Programmable port output configuration options: quasi-bidirectional, open drain, push-pull, input-only.
- Port 'input pattern match' detect. Port 0 may generate an interrupt when the value of the pins match or do not match a programmable pattern.
- LED drive capability (20 mA) on all port pins. A maximum limit is specified for the entire chip.
- Controlled slew rate port outputs to reduce EMI. Outputs have approximately 10 ns minimum ramp times.
- Only power and ground connections are required to operate the P89LPC932A1 when internal reset option is selected.
- Four interrupt priority levels.
- Eight keypad interrupt inputs, plus two additional external interrupt inputs.
- Schmitt trigger port inputs.
- Second data pointer.
- Emulation support.

2.3 Comparison to the P89LPC932

The P89LPC932A1 includes several improvements compared to the P89LPC932. Please see *P89LPC932A1 User manual* for additional detailed information.

- Byte-erasability has been added to the user code memory space.
- All of the errata described in the P89LPC932 Errata sheet have been fixed.
- Serial ICP has been added.

- The RCCLK bit has been added to the TRIM register allowing the RCCLK to be selected as the CPU clock (CCLK) regardless of the settings in UCFG1, allowing the internal RC oscillator to be selected as the CPU clock without the need to reset the device.
- Enhancements added to the ISP/IAP code to improve code safety and increase ISP/IAP functionality. This may require slight changes to original P89LPC932 code using IAP function calls. Some ISP/IAP settings are different than the original P89LPC932. Tools designed to support the P89LPC932A1 should be used to program this device, such as Flash Magic version 1.98, or later.

3. Ordering information

Table 1. Ordering information

Type number	Package		
	Name	Description	Version
P89LPC932A1FA	PLCC28	plastic leaded chip carrier; 28 leads	SOT261-2
P89LPC932A1FDH	TSSOP28	plastic thin shrink small outline package; 28 leads; body width 4.4 mm	SOT361-1
P89LPC932A1FHN	HVQFN28	plastic thermal enhanced very thin quad flat package; no leads; 28 terminals; body 6 × 6 × 0.85 mm	SOT788-1
P89LPC932A1FN	DIP28	plastic dual in-line package; 28 leads (600 mil)	SOT117-1

4. Block diagram

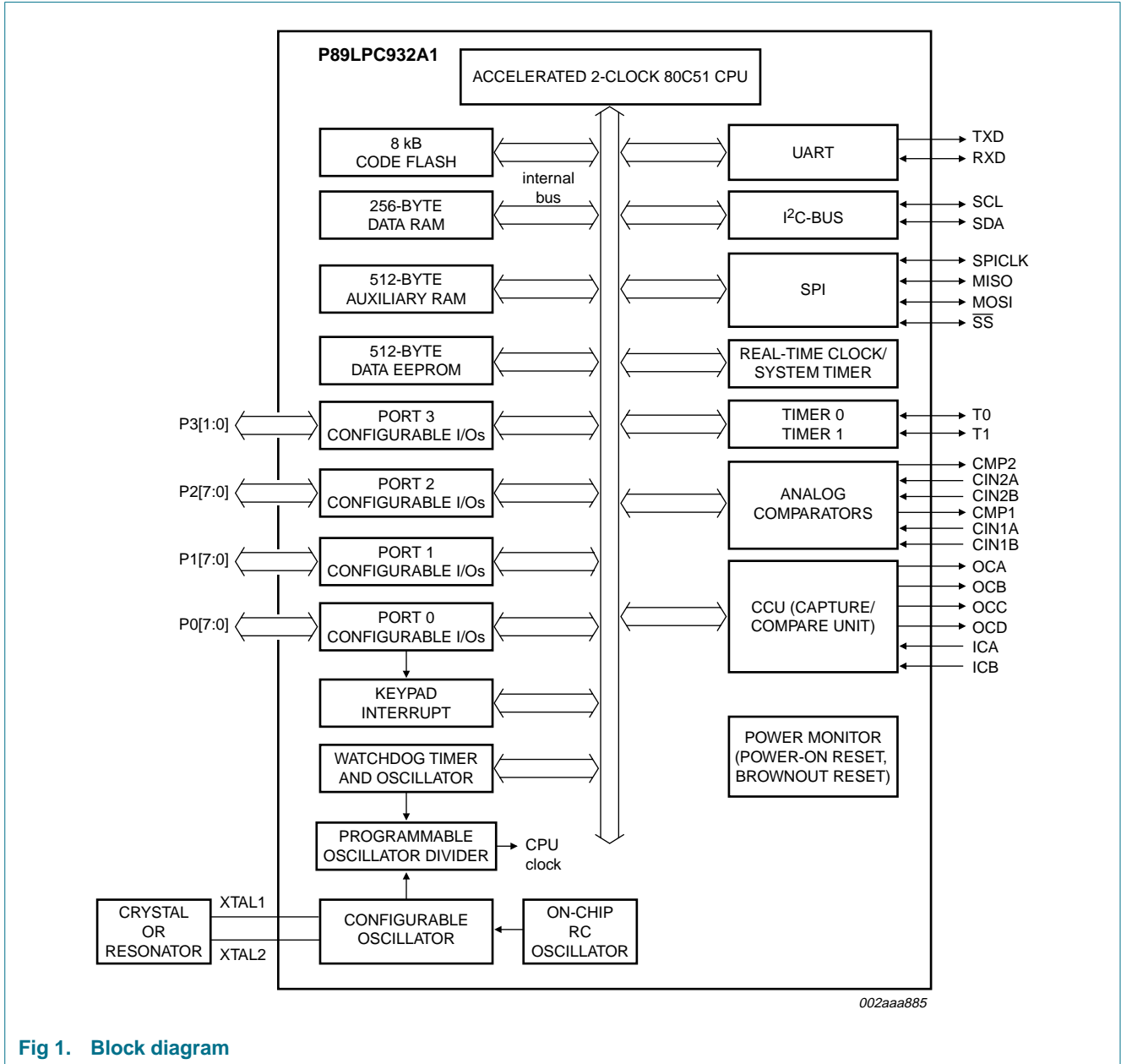


Fig 1. Block diagram

5. Functional diagram

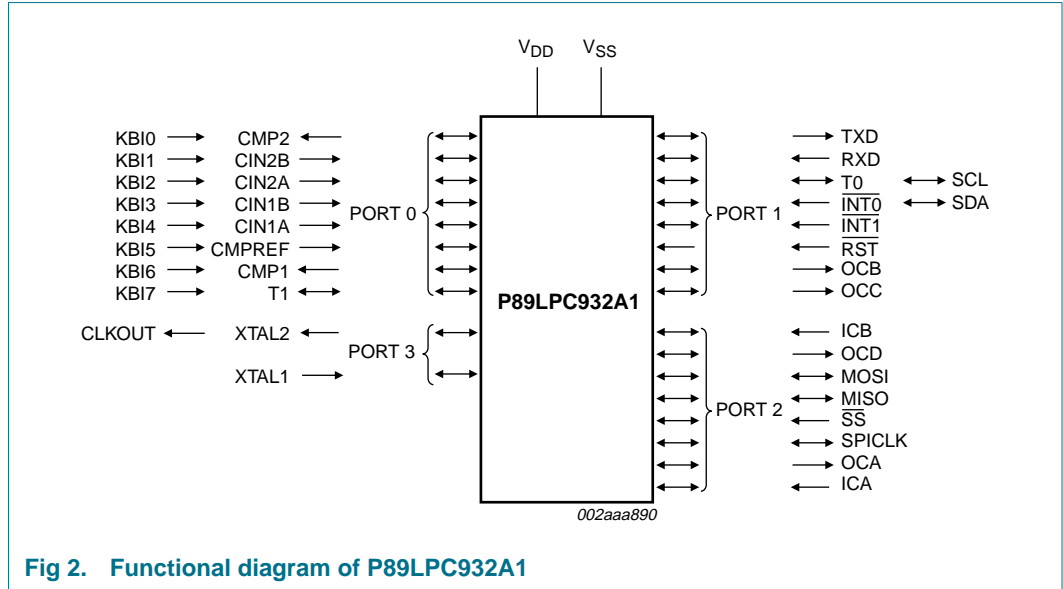


Fig 2. Functional diagram of P89LPC932A1

6. Pinning information

6.1 Pinning

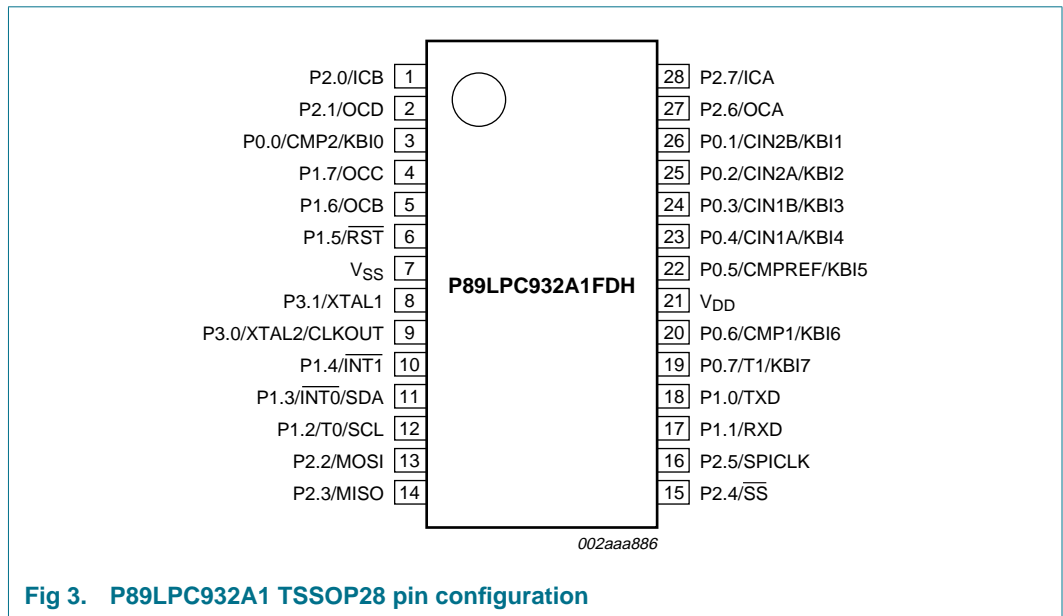


Fig 3. P89LPC932A1 TSSOP28 pin configuration

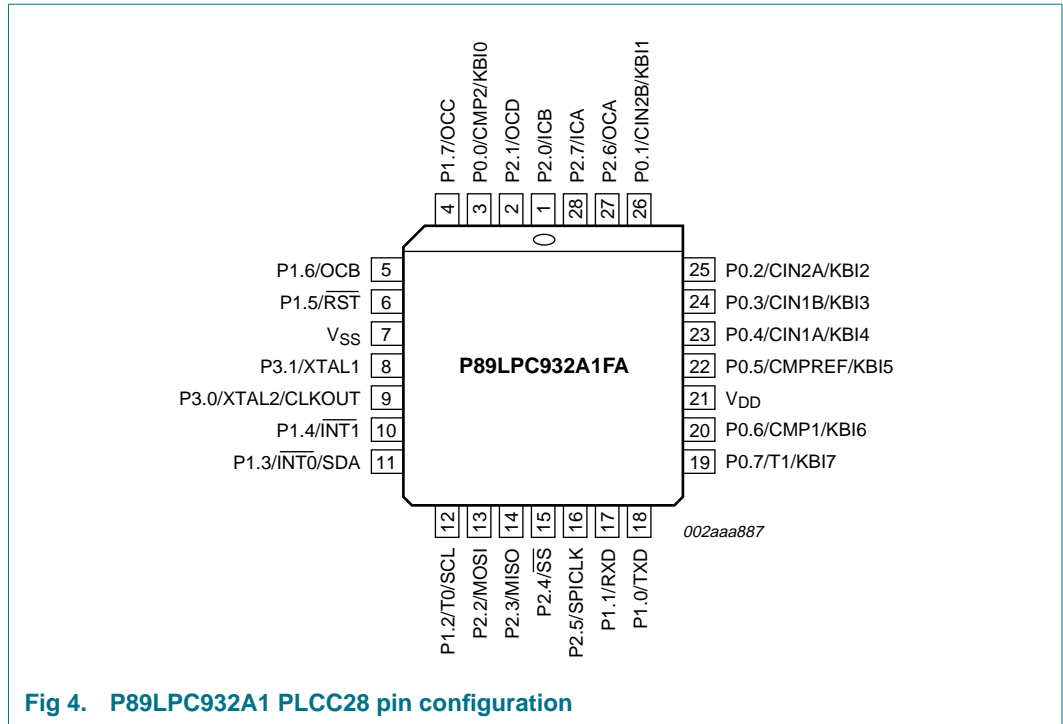


Fig 4. P89LPC932A1 PLCC28 pin configuration

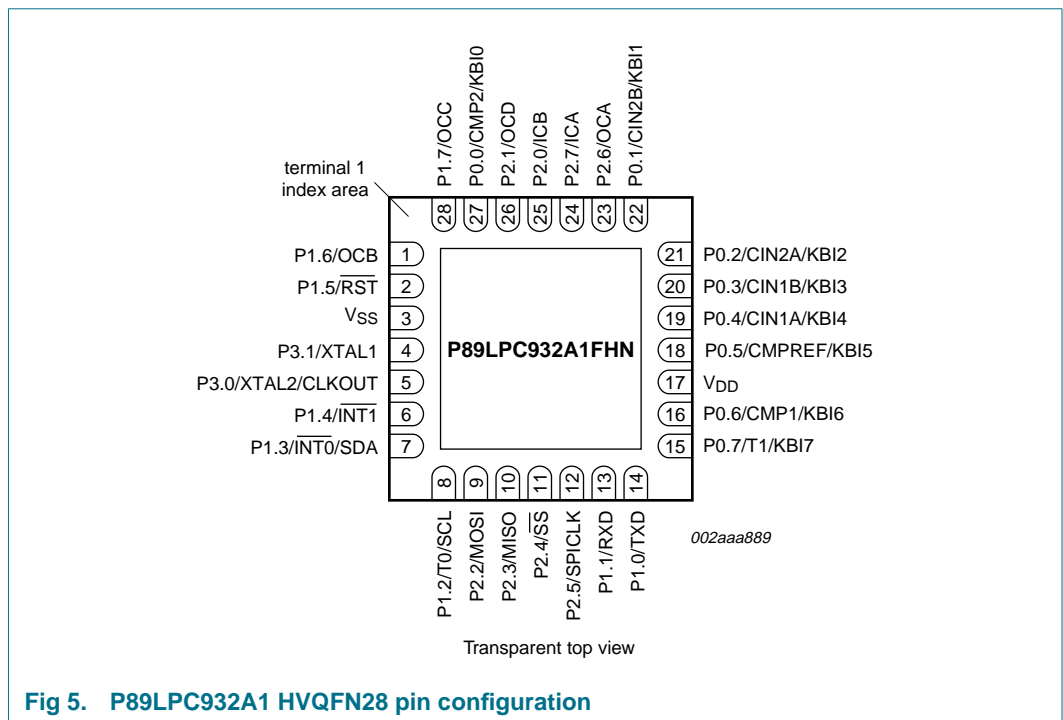


Fig 5. P89LPC932A1 HVQFN28 pin configuration

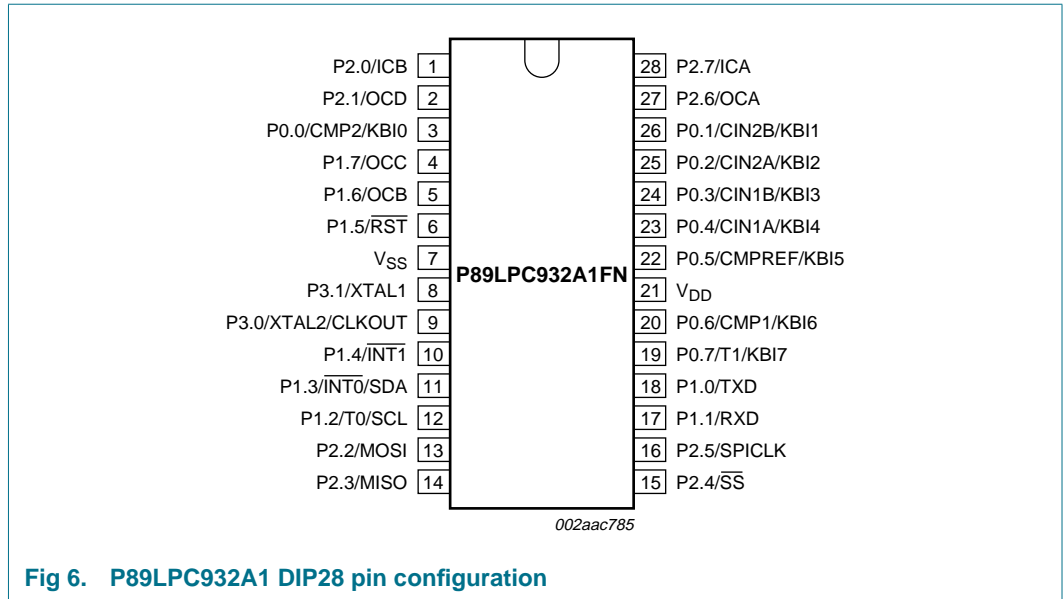


Fig 6. P89LPC932A1 DIP28 pin configuration

6.2 Pin description

Table 2. Pin description

Symbol	Pin		Type	Description
	TSSOP28, PLCC28, DIP28	HVQFN28		
P0.0 to P0.7			I/O	<p>Port 0: Port 0 is an 8-bit I/O port with a user-configurable output type. During reset Port 0 latches are configured in the input only mode with the internal pull-up disabled. The operation of Port 0 pins as inputs and outputs depends upon the port configuration selected. Each port pin is configured independently. Refer to Section 7.13.1 “Port configurations” and Table 8 “Static characteristics” for details.</p> <p>The Keypad Interrupt feature operates with Port 0 pins.</p> <p>All pins have Schmitt trigger inputs.</p> <p>Port 0 also provides various special functions as described below:</p>
P0.0/CMP2/KBI0	3	27	I/O	<p>P0.0 — Port 0 bit 0.</p> <p>O CMP2 — Comparator 2 output.</p> <p>I KBI0 — Keyboard input 0.</p>
P0.1/CIN2B/KBI1	26	22	I/O	<p>P0.1 — Port 0 bit 1.</p> <p>I CIN2B — Comparator 2 positive input B.</p> <p>I KBI1 — Keyboard input 1.</p>
P0.2/CIN2A/KBI2	25	21	I/O	<p>P0.2 — Port 0 bit 2.</p> <p>I CIN2A — Comparator 2 positive input A.</p> <p>I KBI2 — Keyboard input 2.</p>
P0.3/CIN1B/KBI3	24	20	I/O	<p>P0.3 — Port 0 bit 3.</p> <p>I CIN1B — Comparator 1 positive input B.</p> <p>I KBI3 — Keyboard input 3.</p>

Table 2. Pin description ...continued

Symbol	Pin		Type	Description
	TSSOP28, PLCC28, DIP28	HVQFN28		
P0.4/ CIN1A/ KBI4	23	19	I/O	P0.4 — Port 0 bit 4.
			I	CIN1A — Comparator 1 positive input A.
			I	KBI4 — Keyboard input 4.
P0.5/ CMPREF/ KBI5	22	18	I/O	P0.5 — Port 0 bit 5.
			I	CMPREF — Comparator reference (negative) input.
			I	KBI5 — Keyboard input 5.
P0.6/CMP1/ KBI6	20	16	I/O	P0.6 — Port 0 bit 6.
			O	CMP1 — Comparator 1 output.
			I	KBI6 — Keyboard input 6.
P0.7/T1/KBI7	19	15	I/O	P0.7 — Port 0 bit 7.
			I/O	T1 — Timer/counter 1 external count input or overflow output.
			I	KBI7 — Keyboard input 7.
P1.0 to P1.7			I/O, I [1]	<p>Port 1: Port 1 is an 8-bit I/O port with a user-configurable output type, except for three pins as noted below. During reset Port 1 latches are configured in the input only mode with the internal pull-up disabled. The operation of the configurable Port 1 pins as inputs and outputs depends upon the port configuration selected. Each of the configurable port pins are programmed independently. Refer to Section 7.13.1 "Port configurations" and Table 8 "Static characteristics" for details. P1.2 and P1.3 are open drain when used as outputs. P1.5 is input only.</p> <p>All pins have Schmitt trigger inputs.</p> <p>Port 1 also provides various special functions as described below:</p>
P1.0/TXD	18	14	I/O	P1.0 — Port 1 bit 0.
			O	TXD — Transmitter output for the serial port.
P1.1/RXD	17	13	I/O	P1.1 — Port 1 bit 1.
			I	RXD — Receiver input for the serial port.
P1.2/T0/SCL	12	8	I/O	P1.2 — Port 1 bit 2 (open-drain when used as output).
			I/O	T0 — Timer/counter 0 external count input or overflow output (open-drain when used as output).
			I/O	SCL — I ² C serial clock input/output.
P1.3/ $\overline{\text{INT0}}$ / SDA	11	7	I/O	P1.3 — Port 1 bit 3 (open-drain when used as output).
			I	$\overline{\text{INT0}}$ — External interrupt 0 input.
			I/O	SDA — I ² C serial data input/output.
P1.4/ $\overline{\text{INT1}}$	10	6	I	P1.4 — Port 1 bit 4.
			I	$\overline{\text{INT1}}$ — External interrupt 1 input.

Table 2. Pin description ...continued

Symbol	Pin		Type	Description
	TSSOP28, PLCC28, DIP28	HVQFN28		
P1.5/ $\overline{\text{RST}}$	6	2	I	P1.5 — Port 1 bit 5 (input only).
			I	$\overline{\text{RST}}$ — External Reset input during power-on or if selected via UCFG1. When functioning as a reset input, a LOW on this pin resets the microcontroller, causing I/O ports and peripherals to take on their default states, and the processor begins execution at address 0. Also used during a power-on sequence to force ISP mode. When using an oscillator frequency above 12 MHz, the reset input function of P1.5 must be enabled. An external circuit is required to hold the device in reset at power-up until V_{DD} has reached its specified level. When system power is removed V_{DD} will fall below the minimum specified operating voltage. When using an oscillator frequency above 12 MHz, in some applications, an external brownout detect circuit may be required to hold the device in reset when V_{DD} falls below the minimum specified operating voltage.
P1.6/OCB	5	1	I/O	P1.6 — Port 1 bit 6.
			O	OCB — Output Compare B.
P1.7/OCC	4	28	I/O	P1.7 — Port 1 bit 7.
			O	OCC — Output Compare C.
P2.0 to P2.7			I/O	Port 2: Port 2 is an 8-bit I/O port with a user-configurable output type. During reset Port 2 latches are configured in the input only mode with the internal pull-up disabled. The operation of Port 2 pins as inputs and outputs depends upon the port configuration selected. Each port pin is configured independently. Refer to Section 7.13.1 "Port configurations" and Table 8 "Static characteristics" for details. All pins have Schmitt trigger inputs. Port 2 also provides various special functions as described below:
P2.0/ICB	1	25	I/O	P2.0 — Port 2 bit 0.
			I	ICB — Input Capture B.
P2.1/OCD	2	26	I/O	P2.1 — Port 2 bit 1.
			O	OCD — Output Compare D.
P2.2/MOSI	13	9	I/O	P2.2 — Port 2 bit 2.
			I/O	MOSI — SPI master out slave in. When configured as master, this pin is output; when configured as slave, this pin is input.
P2.3/MISO	14	10	I/O	P2.3 — Port 2 bit 3.
			I/O	MISO — When configured as master, this pin is input, when configured as slave, this pin is output.
P2.4/ $\overline{\text{SS}}$	15	11	I/O	P2.4 — Port 2 bit 4.
			I	$\overline{\text{SS}}$ — SPI Slave select.
P2.5/SPICLK	16	12	I/O	P2.5 — Port 2 bit 5.
			I/O	SPICLK — SPI clock. When configured as master, this pin is output; when configured as slave, this pin is input.
P2.6/OCA	27	23	I/O	P2.6 — Port 2 bit 6.
			O	OCA — Output Compare A.

Table 2. Pin description ...continued

Symbol	Pin		Type	Description
	TSSOP28, PLCC28, DIP28	HVQFN28		
P2.7/ICA	28	24	I/O	P2.7 — Port 2 bit 7.
			I	ICA — Input Capture A.
P3.0 to P3.1			I/O	<p>Port 3: Port 3 is a 2-bit I/O port with a user-configurable output type. During reset Port 3 latches are configured in the input only mode with the internal pull-up disabled. The operation of Port 3 pins as inputs and outputs depends upon the port configuration selected. Each port pin is configured independently. Refer to Section 7.13.1 "Port configurations" and Table 8 "Static characteristics" for details.</p> <p>All pins have Schmitt trigger inputs.</p> <p>Port 3 also provides various special functions as described below:</p>
P3.0/XTAL2/ CLKOUT	9	5	I/O	P3.0 — Port 3 bit 0.
			O	XTAL2 — Output from the oscillator amplifier (when a crystal oscillator option is selected via the flash configuration).
			O	CLKOUT — CPU clock divided by 2 when enabled via SFR bit (ENCLK - TRIM.6). It can be used if the CPU clock is the internal RC oscillator, watchdog oscillator or external clock input, except when XTAL1/XTAL2 are used to generate clock source for the RTC/system timer.
P3.1/XTAL1	8	4	I/O	P3.1 — Port 3 bit 1.
			I	XTAL1 — Input to the oscillator circuit and internal clock generator circuits (when selected via the flash configuration). It can be a port pin if internal RC oscillator or watchdog oscillator is used as the CPU clock source, and if XTAL1/XTAL2 are not used to generate the clock for the RTC/system timer.
V _{SS}	7	3	I	Ground: 0 V reference.
V _{DD}	21	17	I	Power supply: This is the power supply voltage for normal operation as well as Idle and Power-down modes.

[1] Input/Output for P1.0 to P1.4, P1.6, P1.7. Input for P1.5.

7. Functional description

Remark: Please refer to the P89LPC932A1 *User manual* for a more detailed functional description.

7.1 Special function registers

Remark: Special Function Registers (SFRs) accesses are restricted in the following ways:

- User must **not** attempt to access any SFR locations not defined.
- Accesses to any defined SFR locations must be strictly for the functions for the SFRs.
- SFR bits labeled '-', logic 0 or logic 1 can **only** be written and read as follows:
 - '-' Unless otherwise specified, **must** be written with logic 0, but can return any value when read (even if it was written with logic 0). It is a reserved bit and may be used in future derivatives.
 - Logic 0 **must** be written with logic 0, and will return a logic 0 when read.
 - Logic 1 **must** be written with logic 1, and will return a logic 1 when read.

Table 3. Special function registers ...continued
** indicates SFRs that are bit addressable.*

Name	Description	SFR addr.	Bit functions and addresses									
			MSB									
I2DAT	I ² C data register	DAH										
I2SCLH	Serial clock generator/SCL duty cycle register high	DDH										
I2SCLL	Serial clock generator/SCL duty cycle register low	DCH										
I2STAT	I ² C status register	D9H	STA.4	STA.3	STA.2	STA.1	STA.0				0	
ICRAH	Input capture A register high	ABH										
ICRAL	Input capture A register low	AAH										
ICRBH	Input capture B register high	AFH										
ICRBL	Input capture B register low	AEH										
			Bit address	AF	AE	AD	AC	AB	AA	A9	A9	
IEN0*	Interrupt enable 0	A8H	EA	EWDRT	EBO	ES/ESR	ET1	EX1	EA	E9	ET0	
			Bit address	EF	EE	ED	EC	EB	EA	E9	E9	
IEN1*	Interrupt enable 1	E8H	EIEE	EST	-	ECCU	ESPI	EC	EC	EKBI	EKBI	
			Bit address	BF	BE	BD	BC	BB	BA	B9	B9	
IP0*	Interrupt priority 0	B8H	-	PWDRT	PBO	PS/PSR	PT1	PX1	PT0H	PT0H	PT0H	
IP0H	Interrupt priority 0 high	B7H	-	PWDRT H	PBOH	PSH/ PSRH	PT1H	PX1H	PT0H	PT0H	PT0H	
			Bit address	FF	FE	FD	FC	FB	FA	F9	F9	
IP1*	Interrupt priority 1	F8H	PIEE	PST	-	PCCU	PSPI	PC	PKBI	PKBI	PKBI	
IP1H	Interrupt priority 1 high	F7H	PIEEH	PSTH	-	PCCUH	PSPIH	PCH	PKBIH	PKBIH	PKBIH	
KBCON	Keypad control register	94H	-	-	-	-	-	-	-	-	PATN _SEL	
KBMASK	Keypad interrupt mask register	86H										
KBPATN	Keypad pattern register	93H										
OCRAH	Output compare A register high	EFH										
OCRAL	Output compare A register low	EEH										

Table 3. Special function registers ...continued
** indicates SFRs that are bit addressable.*

Name	Description	SFR addr.	Bit functions and addresses															
			MSB															
PCONA	Power control register A	B5H	RTCPD	DEEPPD	VCPD	-	I2PD	SPPD	SPD									
PSW*	Program status word	D0H	Bit address													D1		
PT0AD	Port 0 digital input disable	F6H	CY	AC	F0	RS1	RS0	OV	F1									
RSTSRC	Reset source register	DFH	-	-	PT0AD.5	PT0AD.4	PT0AD.3	PT0AD.2	PT0AD.1									
RTCCON	Real-time clock control	D1H	-	-	BOF	POF	R_BK	R_WD	R_SF									
RTCH	Real-time clock register high	D2H	RTCF	RTCS1	RTCS0	-	-	-	ERTC									
RTCL	Real-time clock register low	D3H																
SADDR	Serial port address register	A9H																
SADEN	Serial port address enable	B9H																
SBUF	Serial Port data buffer register	99H																
SCON*	Serial port control	98H	Bit address															
SSTAT	Serial port extended status register	BAH	9F	9E	9D	9C	9B	9A	99	SM0/FE	SM1	SM2	REN	TB8	RB8	TI		
SP	Stack pointer	81H	DBMOD	INTLO	CIDIS	DBISEL	FE	BR	OE									
SPCTL	SPI control register	E2H	SSIG	SPEN	DORD	MSTR	CPOL	CPHA	SPR1									
SPSTAT	SPI status register	E1H	SPIF	WCOL	-	-	-	-	-									
SPDAT	SPI data register	E3H																
TAMOD	Timer 0 and 1 auxiliary mode	8FH	-	-	-	T1M2	-	-	-									
TCON*	Timer 0 and 1 control	88H	Bit address															
TCR20*	CCU control register 0	C8H	8F	8E	8D	8C	8B	8A	89	TF1	TR1	TF0	TR0	IE1	IT1	IE0		
TCR21	CCU control register 1	F9H	PLEEN	HLTRN	HLTEN	ALTCDC	ALTAB	TDIR2	TMOD21	TCOU2	-	-	-	PLLDV.3	PLLDV.2	PLLDV.1		
TH0	Timer 0 high	8CH																
TH1	Timer 1 high	8DH																
TH2	CCU timer high	CDH																
TICR2	CCU interrupt control register	C9H	TOIE2	TOCIE2D	TOCIE2C	TOCIE2B	TOCIE2A	-	TICIE2B									
TIFR2	CCU interrupt flag register	E9H	TOIF2	TOCF2D	TOCF2C	TOCF2B	TOCF2A	-	TICF2B									

Table 3. Special function registers ...continued
** indicates SFRs that are bit addressable.*

Name	Description	SFR addr.	Bit functions and addresses																	
			MSB																	
TISE2	CCU interrupt status encode register	DEH	-	-	-	-	-	-	-	ENCINT. 2	ENCINT. 1									
TL0	Timer 0 low	8AH																		
TL1	Timer 1 low	8BH																		
TL2	CCU timer low	CCH																		
TMOD	Timer 0 and 1 mode	89H																		
TOR2H	CCU reload register high	CFH																		
TOR2L	CCU reload register low	CEH																		
TPCR2H	Prescaler control register high	CBH	-	-	-	-	-	-	-	-	-	-	-	-	-	-	-	-	-	TPCR2H: 1
TPCR2L	Prescaler control register low	CAH	TPCR2L. 7	TPCR2L. 6	TPCR2L. 5	TPCR2L. 4	TPCR2L. 3	TPCR2L. 2	TPCR2L. 1	TPCR2L. 0	TPCR2L. 0	TPCR2L. 1	TPCR2L. 2	TPCR2L. 3	TPCR2L. 4	TPCR2L. 5	TPCR2L. 6	TPCR2L. 7	TPCR2L. 8	TPCR2L. 9
TRIM	Internal oscillator trim register	96H	RCCLK	ENCLK	TRIM.5	TRIM.4	TRIM.3	TRIM.2	TRIM.1											
WDCON	Watchdog control register	A7H	PRE2	PRE1	PRE0															
WDL	Watchdog load	C1H																		
WFEED1	Watchdog feed 1	C2H																		
WFEED2	Watchdog feed 2	C3H																		

- [1] BRGR1 and BRGR0 must only be written if BRGEN in BRGCON SFR is logic 0. If any are written while BRGEN = 1, the result is unpredictable.
- [2] All ports are in input only (high-impedance) state after power-up.
- [3] The RSTSRC register reflects the cause of the P89LPC932A1 reset. Upon a power-up reset, all reset source flags are cleared except POF and xx11 0000.
- [4] The only reset source that affects these SFRs is power-on reset.
- [5] On power-on reset, the TRIM SFR is initialized with a factory preprogrammed value. Other resets will not cause initialization of the TRIM register.
- [6] After reset, the value is 1110 01x1, i.e., PRE2 to PRE0 are all logic 1, WDRUN = 1 and WDCLK = 1. WDTOF bit is logic 1 after watchdog reset. Other resets will not affect WDTOF.

7.2 Enhanced CPU

The P89LPC932A1 uses an enhanced 80C51 CPU which runs at six times the speed of standard 80C51 devices. A machine cycle consists of two CPU clock cycles, and most instructions execute in one or two machine cycles.

7.3 Clocks

7.3.1 Clock definitions

The P89LPC932A1 device has several internal clocks as defined below:

OSCCLK — Input to the DIVM clock divider. OSCCLK is selected from one of four clock sources (see [Figure 7](#)) and can also be optionally divided to a slower frequency (see [Section 7.8 “CCLK modification: DIVM register”](#)).

Note: f_{osc} is defined as the OSCCLK frequency.

CCLK — CPU clock; output of the clock divider. There are two CCLK cycles per machine cycle, and most instructions are executed in one to two machine cycles (two or four CCLK cycles).

RCCLK — The internal 7.373 MHz RC oscillator output.

PCLK — Clock for the various peripheral devices and is $CCLK/2$.

7.3.2 CPU clock (OSCCLK)

The P89LPC932A1 provides several user-selectable oscillator options in generating the CPU clock. This allows optimization for a range of needs from high precision to lowest possible cost. These options are configured when the flash is programmed and include an on-chip watchdog oscillator, an on-chip RC oscillator, an oscillator using an external crystal, or an external clock source. The crystal oscillator can be optimized for low, medium, or high frequency crystals covering a range from 20 kHz to 18 MHz.

7.3.3 Low speed oscillator option

This option supports an external crystal in the range of 20 kHz to 100 kHz. Ceramic resonators are also supported in this configuration.

7.3.4 Medium speed oscillator option

This option supports an external crystal in the range of 100 kHz to 4 MHz. Ceramic resonators are also supported in this configuration.

7.3.5 High speed oscillator option

This option supports an external crystal in the range of 4 MHz to 18 MHz. Ceramic resonators are also supported in this configuration.

7.3.6 Clock output

The P89LPC932A1 supports a user-selectable clock output function on the XTAL2/CLKOUT pin when crystal oscillator is not being used. This condition occurs if another clock source has been selected (on-chip RC oscillator, watchdog oscillator, external clock input on X1) and if the RTC is not using the crystal oscillator as its clock source. This allows external devices to synchronize to the P89LPC932A1. This output is enabled by the ENCLK bit in the TRIM register.

The frequency of this clock output is $\frac{1}{2}$ that of the CCLK. If the clock output is not needed in Idle mode, it may be turned off prior to entering Idle, saving additional power.

7.4 On-chip RC oscillator option

The P89LPC932A1 has a 6-bit TRIM register that can be used to tune the frequency of the RC oscillator. During reset, the TRIM value is initialized to a factory preprogrammed value to adjust the oscillator frequency to 7.373 MHz \pm 1 % at room temperature. End-user applications can write to the TRIM register to adjust the on-chip RC oscillator to other frequencies.

7.5 Watchdog oscillator option

The watchdog has a separate oscillator which has a frequency of 400 kHz. This oscillator can be used to save power when a high clock frequency is not needed.

7.6 External clock input option

In this configuration, the processor clock is derived from an external source driving the P3.1/XTAL1 pin. The rate may be from 0 Hz up to 18 MHz. The P3.0/XTAL2 pin may be used as a standard port pin or a clock output. **When using an oscillator frequency above 12 MHz, the reset input function of P1.5 must be enabled. An external circuit is required to hold the device in reset at power-up until V_{DD} has reached its specified level. When system power is removed, V_{DD} will fall below the minimum specified operating voltage. When using an oscillator frequency above 12 MHz, in some applications, an external brownout detect circuit may be required to hold the device in reset when V_{DD} falls below the minimum specified operating voltage.**

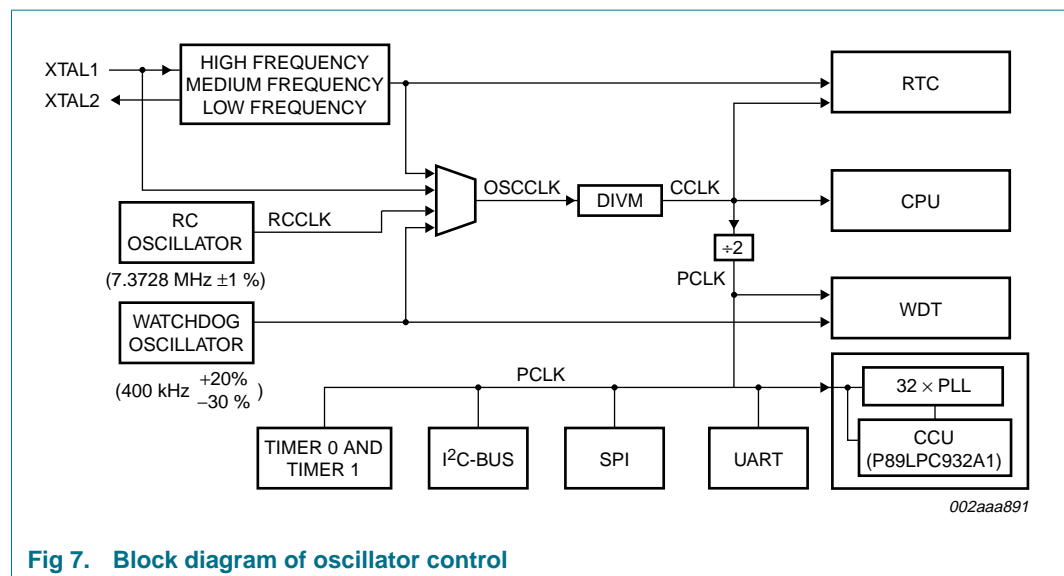


Fig 7. Block diagram of oscillator control

7.7 CCLK wake-up delay

The P89LPC932A1 has an internal wake-up timer that delays the clock until it stabilizes depending on the clock source used. If the clock source is any of the three crystal selections (low, medium and high frequencies) the delay is 992 OSCCLK cycles plus 60 μ s to 100 μ s. If the clock source is either the internal RC oscillator, watchdog oscillator, or external clock, the delay is 224 OSCCLK cycles plus 60 μ s to 100 μ s.

7.8 CCLK modification: DIVM register

The OSCCLK frequency can be divided down up to 510 times by configuring a dividing register, DIVM, to generate CCLK. This feature makes it possible to temporarily run the CPU at a lower rate, reducing power consumption. By dividing the clock, the CPU can retain the ability to respond to events that would not exit Idle mode by executing its normal program at a lower rate. This can also allow bypassing the oscillator start-up time in cases where Power-down mode would otherwise be used. The value of DIVM may be changed by the program at any time without interrupting code execution.

7.9 Low power select

The P89LPC932A1 is designed to run at 12 MHz (CCLK) maximum. However, if CCLK is 8 MHz or slower, the CLKLP SFR bit (AUXR1.7) can be set to logic 1 to lower the power consumption further. On any reset, CLKLP is logic 0 allowing highest performance access. This bit can then be set in software if CCLK is running at 8 MHz or slower.

7.10 Memory organization

The various P89LPC932A1 memory spaces are as follows:

- DATA
128 bytes of internal data memory space (00H:7FH) accessed via direct or indirect addressing, using instructions other than MOVX and MOVC. All or part of the Stack may be in this area.
- IDATA
Indirect Data. 256 bytes of internal data memory space (00H:FFH) accessed via indirect addressing using instructions other than MOVX and MOVC. All or part of the Stack may be in this area. This area includes the DATA area and the 128 bytes immediately above it.
- SFR
Special Function Registers. Selected CPU registers and peripheral control and status registers, accessible only via direct addressing.
- XDATA
'External' Data or Auxiliary RAM. Duplicates the classic 80C51 64 kB memory space addressed via the MOVX instruction using the SPTR, R0, or R1. All or part of this space could be implemented on-chip. The P89LPC932A1 has 512 bytes of on-chip XDATA memory.

- CODE

64 kB of Code memory space, accessed as part of program execution and via the MOVC instruction. The P89LPC932A1 has 8 kB of on-chip Code memory.

The P89LPC932A1 also has 512 bytes of on-chip Data EEPROM that is accessed via SFRs (see [Section 7.27 “Data EEPROM”](#)).

7.11 Data RAM arrangement

The 768 bytes of on-chip RAM are organized as shown in [Table 4](#).

Table 4. On-chip data memory usages

Type	Data RAM	Size (bytes)
DATA	Memory that can be addressed directly and indirectly	128
IDATA	Memory that can be addressed indirectly	256
XDATA	Auxiliary ('External Data') on-chip memory that is accessed using the MOVX instructions	512

7.12 Interrupts

The P89LPC932A1 uses a four priority level interrupt structure. This allows great flexibility in controlling the handling of the many interrupt sources. The P89LPC932A1 supports 15 interrupt sources: external interrupts 0 and 1, timers 0 and 1, serial port Tx, serial port Rx, combined serial port Rx/Tx, brownout detect, watchdog/RTC, I²C-bus, keyboard, comparators 1 and 2, SPI, CCU, and data EEPROM write completion.

Each interrupt source can be individually enabled or disabled by setting or clearing a bit in the interrupt enable registers IEN0 or IEN1. The IEN0 register also contains a global disable bit, EA, which disables all interrupts.

Each interrupt source can be individually programmed to one of four priority levels by setting or clearing bits in the interrupt priority registers IP0, IP0H, IP1, and IP1H. An interrupt service routine in progress can be interrupted by a higher priority interrupt, but not by another interrupt of the same or lower priority. The highest priority interrupt service cannot be interrupted by any other interrupt source. If two requests of different priority levels are pending at the start of an instruction, the request of higher priority level is serviced.

If requests of the same priority level are pending at the start of an instruction, an internal polling sequence determines which request is serviced. This is called the arbitration ranking. Note that the arbitration ranking is only used to resolve pending requests of the same priority level.

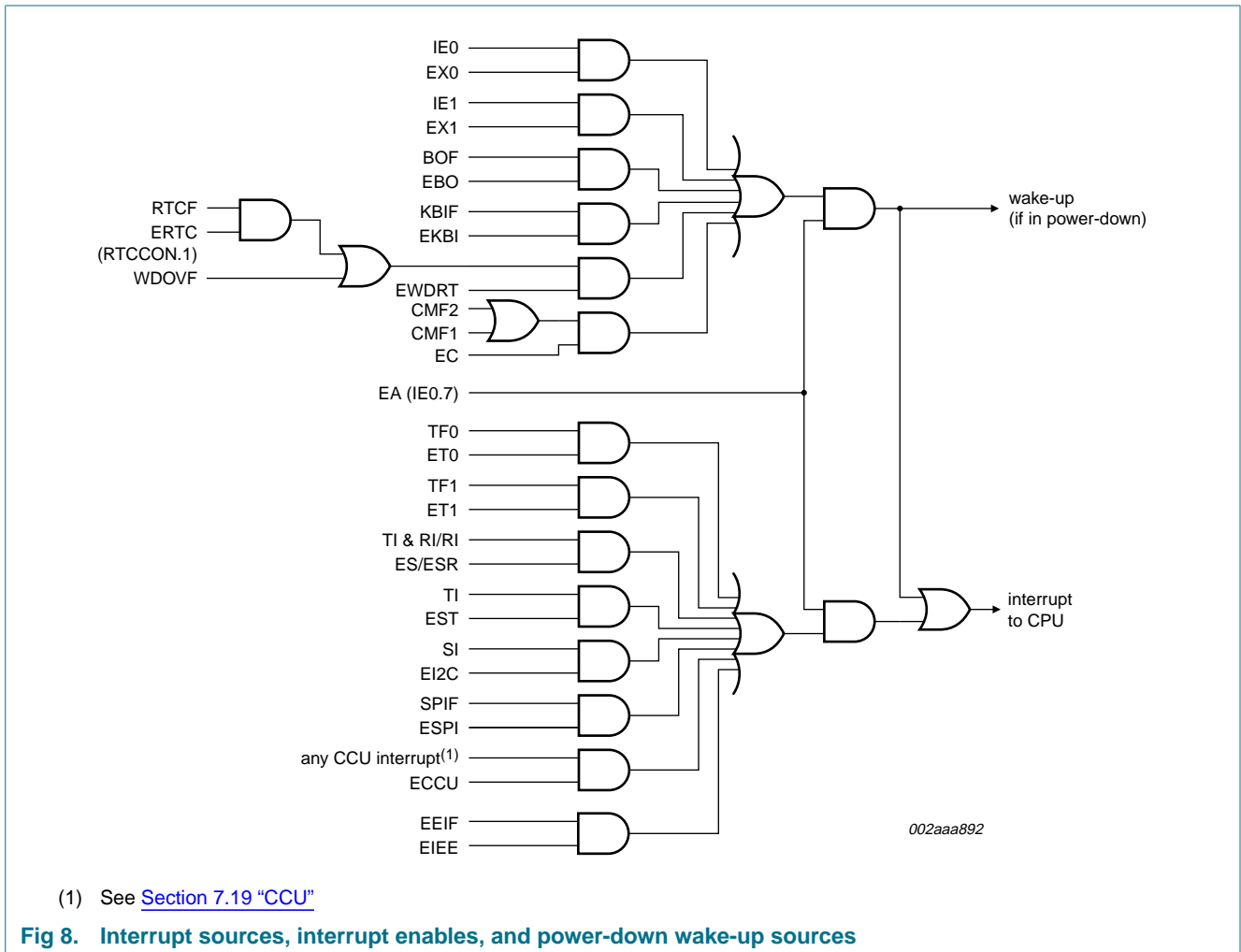
7.12.1 External interrupt inputs

The P89LPC932A1 has two external interrupt inputs as well as the Keypad Interrupt function. The two interrupt inputs are identical to those present on the standard 80C51 microcontrollers.

These external interrupts can be programmed to be level-triggered or edge-triggered by setting or clearing bit IT1 or IT0 in Register TCON.

In edge-triggered mode, if successive samples of the $\overline{\text{INTn}}$ pin show a HIGH in one cycle and a LOW in the next cycle, the interrupt request flag IEn in TCON is set, causing an interrupt request.

If an external interrupt is enabled when the P89LPC932A1 is put into Power-down or Idle mode, the interrupt will cause the processor to wake-up and resume operation. Refer to [Section 7.15 "Power reduction modes"](#) for details.



7.13 I/O ports

The P89LPC932A1 has four I/O ports: Port 0, Port 1, Port 2, and Port 3. Ports 0, 1 and 2 are 8-bit ports, and Port 3 is a 2-bit port. The exact number of I/O pins available depends upon the clock and reset options chosen, as shown in [Table 5](#).

Table 5. Number of I/O pins available

Clock source	Reset option	Number of I/O pins (28-pin package)
On-chip oscillator or watchdog oscillator	No external reset (except during power-up)	26
	External $\overline{\text{RST}}$ pin supported	25

Table 5. Number of I/O pins available ...continued

Clock source	Reset option	Number of I/O pins (28-pin package)
External clock input	No external reset (except during power-up)	25
	External $\overline{\text{RST}}$ pin supported ^[1]	24
Low/medium/high speed oscillator (external crystal or resonator)	No external reset (except during power-up)	24
	External $\overline{\text{RST}}$ pin supported ^[1]	23

[1] Required for operation above 12 MHz.

7.13.1 Port configurations

All but three I/O port pins on the P89LPC932A1 may be configured by software to one of four types on a bit-by-bit basis. These are: quasi-bidirectional (standard 80C51 port outputs), push-pull, open drain, and input-only. Two configuration registers for each port select the output type for each port pin.

1. P1.5 ($\overline{\text{RST}}$) can only be an input and cannot be configured.
2. P1.2 (SCL/T0) and P1.3 (SDA/ $\overline{\text{INT0}}$) may only be configured to be either input-only or open-drain.

7.13.1.1 Quasi-bidirectional output configuration

Quasi-bidirectional output type can be used as both an input and output without the need to reconfigure the port. This is possible because when the port outputs a logic HIGH, it is weakly driven, allowing an external device to pull the pin LOW. When the pin is driven LOW, it is driven strongly and able to sink a fairly large current. These features are somewhat similar to an open-drain output except that there are three pull-up transistors in the quasi-bidirectional output that serve different purposes.

The P89LPC932A1 is a 3 V device, but the pins are 5 V-tolerant. In quasi-bidirectional mode, if a user applies 5 V on the pin, there will be a current flowing from the pin to V_{DD} , causing extra power consumption. Therefore, applying 5 V in quasi-bidirectional mode is discouraged.

A quasi-bidirectional port pin has a Schmitt trigger input that also has a glitch suppression circuit.

7.13.1.2 Open-drain output configuration

The open-drain output configuration turns off all pull-ups and only drives the pull-down transistor of the port driver when the port latch contains a logic 0. To be used as a logic output, a port configured in this manner must have an external pull-up, typically a resistor tied to V_{DD} .

An open-drain port pin has a Schmitt trigger input that also has a glitch suppression circuit.

7.13.1.3 Input-only configuration

The input-only port configuration has no output drivers. It is a Schmitt trigger input that also has a glitch suppression circuit.

7.13.1.4 Push-pull output configuration

The push-pull output configuration has the same pull-down structure as both the open-drain and the quasi-bidirectional output modes, but provides a continuous strong pull-up when the port latch contains a logic 1. The push-pull mode may be used when more source current is needed from a port output. A push-pull port pin has a Schmitt trigger input that also has a glitch suppression circuit.

7.13.2 Port 0 analog functions

The P89LPC932A1 incorporates two Analog Comparators. In order to give the best analog function performance and to minimize power consumption, pins that are being used for analog functions must have the digital outputs and digital inputs disabled.

Digital outputs are disabled by putting the port output into the Input-only (high-impedance) mode.

Digital inputs on Port 0 may be disabled through the use of the PT0AD register, bits 1:5. On any reset, PT0AD[1:5] defaults to logic 0s to enable digital functions.

7.13.3 Additional port features

After power-up, all pins are in Input-only mode. **Please note that this is different from the LPC76x series of devices.**

- After power-up, all I/O pins except P1.5, may be configured by software.
- Pin P1.5 is input only. Pins P1.2 and P1.3 and are configurable for either input-only or open-drain.

Every output on the P89LPC932A1 has been designed to sink typical LED drive current. However, there is a maximum total output current for all ports which must not be exceeded. Please refer to [Table 8 “Static characteristics”](#) for detailed specifications.

All ports pins that can function as an output have slew rate controlled outputs to limit noise generated by quickly switching output signals. The slew rate is factory-set to approximately 10 ns rise and fall times.

7.14 Power monitoring functions

The P89LPC932A1 incorporates power monitoring functions designed to prevent incorrect operation during initial power-up and power loss or reduction during operation. This is accomplished with two hardware functions: Power-on detect and brownout detect.

7.14.1 Brownout detection

The brownout detect function determines if the power supply voltage drops below a certain level. The default operation is for a brownout detection to cause a processor reset, however it may alternatively be configured to generate an interrupt.

Brownout detection may be enabled or disabled in software.

If brownout detection is the brownout condition occurs when V_{DD} falls below the brownout trip voltage, V_{bo} (see [Table 8 “Static characteristics”](#)), and is negated when V_{DD} rises above V_{bo} . If the P89LPC932A1 device is to operate with a power supply that can be below 2.7 V, BOE should be left in the unprogrammed state so that the device can operate at 2.4 V, otherwise continuous brownout reset may prevent the device from operating.

For correct activation of brownout detect, the V_{DD} rise and fall times must be observed. Please see [Table 8 “Static characteristics”](#) for specifications.

7.14.2 Power-on detection

The Power-on detect has a function similar to the brownout detect, but is designed to work as power comes up initially, before the power supply voltage reaches a level where brownout detect can work. The POF flag in the RSTSRC register is set to indicate an initial power-up condition. The POF flag will remain set until cleared by software.

7.15 Power reduction modes

The P89LPC932A1 supports three different power reduction modes. These modes are Idle mode, Power-down mode, and Total Power-down mode.

7.15.1 Idle mode

Idle mode leaves peripherals running in order to allow them to activate the processor when an interrupt is generated. Any enabled interrupt source or reset may terminate Idle mode.

7.15.2 Power-down mode

The Power-down mode stops the oscillator in order to minimize power consumption. The P89LPC932A1 exits Power-down mode via any reset, or certain interrupts. In Power-down mode, the power supply voltage may be reduced to the data retention voltage V_{DDR} . This retains the RAM contents at the point where Power-down mode was entered. SFR contents are not guaranteed after V_{DD} has been lowered to V_{DDR} , therefore it is highly recommended to wake up the processor via reset in this case. V_{DD} must be raised to within the operating range before the Power-down mode is exited.

Some chip functions continue to operate and draw power during Power-down mode, increasing the total power used during power-down. These include: Brownout detect, watchdog timer, Comparators (note that Comparators can be powered-down separately), and RTC/System Timer. The internal RC oscillator is disabled unless both the RC oscillator has been selected as the system clock and the RTC is enabled.

7.15.3 Total Power-down mode

This is the same as Power-down mode except that the brownout detection circuitry and the voltage comparators are also disabled to conserve additional power. The internal RC oscillator is disabled unless both the RC oscillator has been selected as the system clock **and** the RTC is enabled. If the internal RC oscillator is used to clock the RTC during power-down, there will be high power consumption. Please use an external low frequency clock to achieve low power with the RTC running during power-down.

7.16 Reset

The P1.5/ \overline{RST} pin can function as either an active-LOW reset input or as a digital input, P1.5. The RPE (Reset Pin Enable) bit in UCFG1, when set to logic 1, enables the external reset input function on P1.5. When cleared, P1.5 may be used as an input pin.

Remark: During a power-up sequence, The RPE selection is overridden and this pin will always function as a reset input. **An external circuit connected to this pin should not hold this pin LOW during a power-on sequence as this will keep the device in reset.**

After power-up this input will function either as an external reset input or as a digital input as defined by the RPE bit. Only a power-up reset will temporarily override the selection defined by RPE bit. Other sources of reset will not override the RPE bit.

Reset can be triggered from the following sources:

- External reset pin (during power-up or if user configured via UCFG1).
- Power-on detect.
- Brownout detect.
- Watchdog timer.
- Software reset.
- UART break character detect reset.

For every reset source, there is a flag in the Reset Register, RSTSRC. The user can read this register to determine the most recent reset source. These flag bits can be cleared in software by writing a logic 0 to the corresponding bit. More than one flag bit may be set:

- During a power-on reset, both POF and BOF are set but the other flag bits are cleared.
- For any other reset, previously set flag bits that have not been cleared will remain set.

7.16.1 Reset vector

Following reset, the P89LPC932A1 will fetch instructions from either address 0000H or the Boot address. The Boot address is formed by using the Boot Vector as the high byte of the address and the low byte of the address = 00H.

The Boot address will be used if a UART break reset occurs, or the non-volatile Boot Status bit (BOOTSTAT.0) = 1, or the device is forced into ISP mode during power-on (see P89LPC932A1 *User manual*). Otherwise, instructions will be fetched from address 0000H.

7.17 Timers/counters 0 and 1

The P89LPC932A1 has two general purpose counter/timers which are upward compatible with the standard 80C51 Timer 0 and Timer 1. Both can be configured to operate either as timers or event counter. An option to automatically toggle the T0 and/or T1 pins upon timer overflow has been added.

In the 'Timer' function, the register is incremented every machine cycle.

In the 'Counter' function, the register is incremented in response to a 1-to-0 transition at its corresponding external input pin, T0 or T1. In this function, the external input is sampled once during every machine cycle.

Timer 0 and Timer 1 have five operating modes (modes 0, 1, 2, 3 and 6). Modes 0, 1, 2 and 6 are the same for both Timers/Counters. Mode 3 is different.

7.17.1 Mode 0

Putting either Timer into Mode 0 makes it look like an 8048 Timer, which is an 8-bit Counter with a divide-by-32 prescaler. In this mode, the Timer register is configured as a 13-bit register. Mode 0 operation is the same for Timer 0 and Timer 1.

7.17.2 Mode 1

Mode 1 is the same as Mode 0, except that all 16 bits of the timer register are used.

7.17.3 Mode 2

Mode 2 configures the Timer register as an 8-bit Counter with automatic reload. Mode 2 operation is the same for Timer 0 and Timer 1.

7.17.4 Mode 3

When Timer 1 is in Mode 3 it is stopped. Timer 0 in Mode 3 forms two separate 8-bit counters and is provided for applications that require an extra 8-bit timer. When Timer 1 is in Mode 3 it can still be used by the serial port as a baud rate generator.

7.17.5 Mode 6

In this mode, the corresponding timer can be changed to a PWM with a full period of 256 timer clocks.

7.17.6 Timer overflow toggle output

Timers 0 and 1 can be configured to automatically toggle a port output whenever a timer overflow occurs. The same device pins that are used for the T0 and T1 count inputs are also used for the timer toggle outputs. The port outputs will be a logic 1 prior to the first timer overflow when this mode is turned on.

7.18 RTC/system timer

The P89LPC932A1 has a simple RTC that allows a user to continue running an accurate timer while the rest of the device is powered-down. The RTC can be a wake-up or an interrupt source. The RTC is a 23-bit down counter comprised of a 7-bit prescaler and a 16-bit loadable down counter. When it reaches all logic 0s, the counter will be reloaded again and the RTCF flag will be set. The clock source for this counter can be either the CCLK or the XTAL oscillator, provided that the XTAL oscillator is not being used as the CPU clock. If the XTAL oscillator is used as the CPU clock, then the RTC will use CCLK as its clock source. Only power-on reset will reset the RTC and its associated SFRs to the default state.

7.19 CCU

This unit features:

- A 16-bit timer with 16-bit reload on overflow.
- Selectable clock, with prescaler to divide clock source by any integral number between 1 and 1024.
- Four Compare/PWM outputs with selectable polarity
- Symmetrical/Asymmetrical PWM selection
- Two Capture inputs with event counter and digital noise rejection filter
- Seven interrupts with common interrupt vector (one Overflow, two Capture, four Compare)
- Safe 16-bit read/write via shadow registers.

7.19.1 CCU clock

The CCU runs on the CCU Clock (CCUCLK), which is either PCLK in basic timer mode, or the output of a Phase-Locked Loop (PLL). The PLL is designed to use a clock source between 0.5 MHz to 1 MHz that is multiplied by 32 to produce a CCUCLK between 16 MHz and 32 MHz in PWM mode (asymmetrical or symmetrical). The PLL contains a 4-bit divider to help divide PCLK into a frequency between 0.5 MHz and 1 MHz.

7.19.2 CCUCLK prescaling

This CCUCLK can further be divided down by a prescaler. The prescaler is implemented as a 10-bit free-running counter with programmable reload at overflow.

7.19.3 Basic timer operation

The Timer is a free-running up/down counter with a direction control bit. If the timer counting direction is changed while the counter is running, the count sequence will be reversed. The timer can be written or read at any time.

When a reload occurs, the CCU Timer Overflow Interrupt Flag will be set, and an interrupt generated if enabled. The 16-bit CCU Timer may also be used as an 8-bit up/down timer.

7.19.4 Output compare

There are four output compare channels A, B, C and D. Each output compare channel needs to be enabled in order to operate and the user will have to set the associated I/O pin to the desired output mode to connect the pin. When the contents of the timer matches that of a capture compare control register, the Timer Output Compare Interrupt Flag (TOCFx) becomes set. An interrupt will occur if enabled.

7.19.5 Input capture

Input capture is always enabled. Each time a capture event occurs on one of the two input capture pins, the contents of the timer is transferred to the corresponding 16-bit input capture register. The capture event can be programmed to be either rising or falling edge triggered. A simple noise filter can be enabled on the input capture by enabling the Input Capture Noise Filter bit. If set, the capture logic needs to see four consecutive samples of the same value in order to recognize an edge as a capture event. An event counter can be set to delay a capture by a number of capture events.

7.19.6 PWM operation

PWM operation has two main modes, symmetrical and asymmetrical.

In asymmetrical PWM operation the CCU Timer operates in down-counting mode regardless of the direction control bit.

In symmetrical mode, the timer counts up/down alternately. The main difference from basic timer operation is the operation of the compare module, which in PWM mode is used for PWM waveform generation.

As with basic timer operation, when the PWM (compare) pins are connected to the compare logic, their logic state remains unchanged. However, since bit FCO is used to hold the halt value, only a compare event can change the state of the pin.

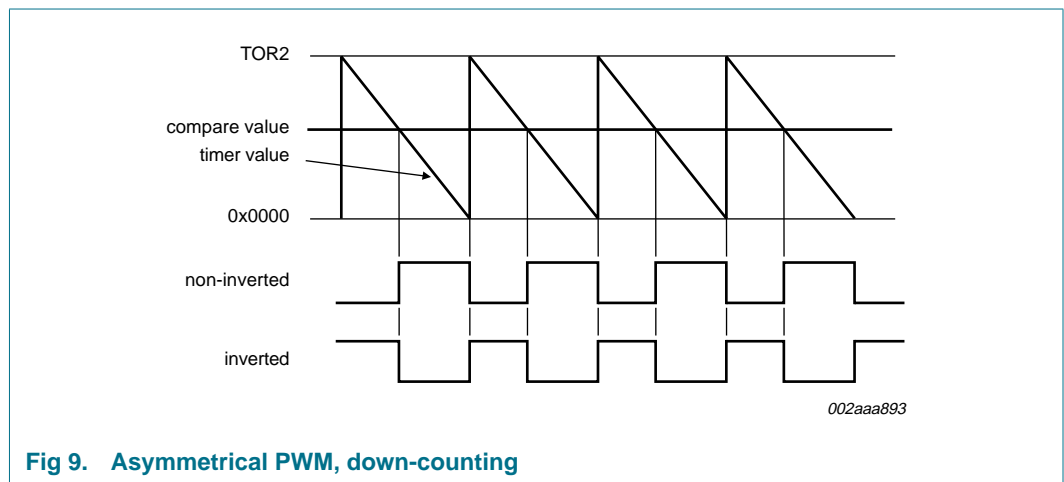


Fig 9. Asymmetrical PWM, down-counting

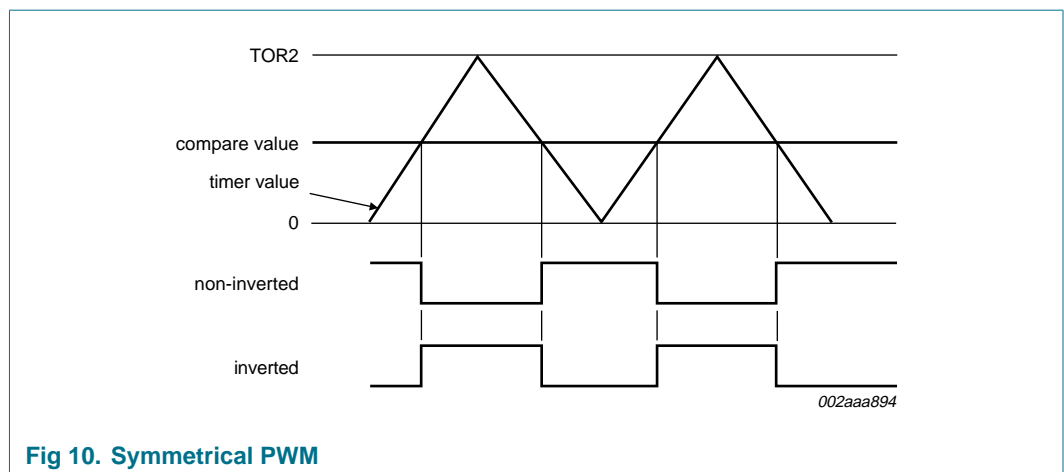


Fig 10. Symmetrical PWM

7.19.7 Alternating output mode

In asymmetrical mode, the user can set up PWM channels A/B and C/D as alternating pairs for bridge drive control. In this mode the output of these PWM channels are alternately gated on every counter cycle.

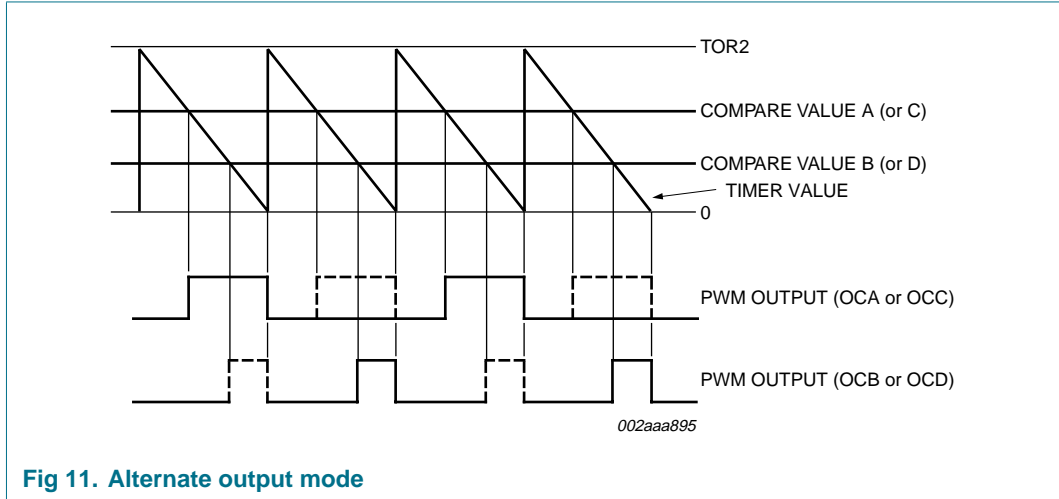


Fig 11. Alternate output mode

7.19.8 PLL operation

The PWM module features a PLL that can be used to generate a CCUCLK frequency between 16 MHz and 32 MHz. At this frequency the PWM module provides ultrasonic PWM frequency with 10-bit resolution provided that the crystal frequency is 1 MHz or higher. The PLL is fed an input signal from 0.5 MHz to 1 MHz and generates an output signal of 32 times the input frequency. This signal is used to clock the timer. The user will have to set a divider that scales PCLK by a factor from 1 to 16. This divider is found in the SFR register TCR21. The PLL frequency can be expressed as shown in [Equation 1](#).

$$\text{PLL frequency} = \frac{\text{PCLK}}{(N + 1)} \tag{1}$$

Where: N is the value of PLLDV[3:0].

Since N ranges from 0 to 15, the CCLK frequency can be in the range of PCLK to $\frac{\text{PCLK}}{16}$.

7.19.9 CCU interrupts

There are seven interrupt sources on the CCU which share a common interrupt vector.

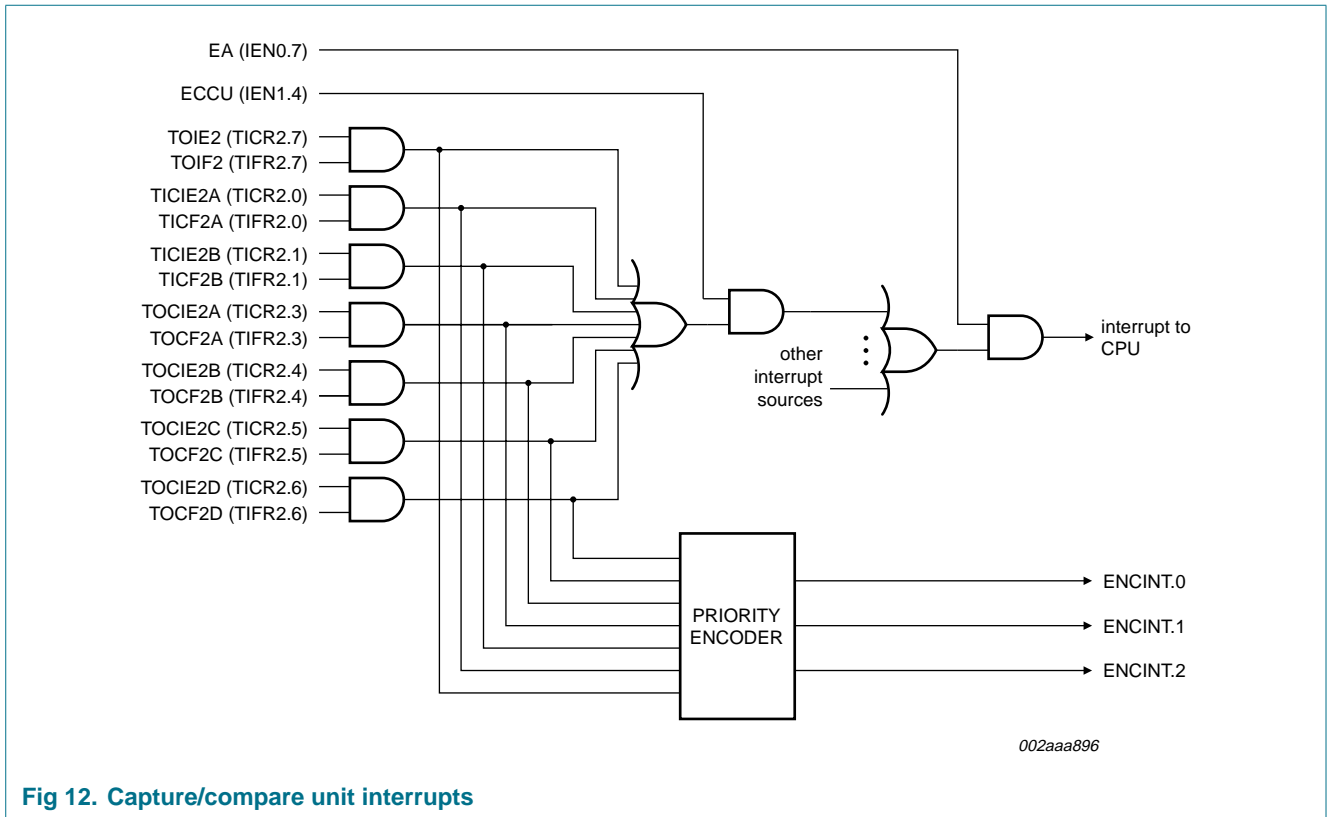


Fig 12. Capture/compare unit interrupts

7.20 UART

The P89LPC932A1 has an enhanced UART that is compatible with the conventional 80C51 UART except that Timer 2 overflow cannot be used as a baud rate source. The P89LPC932A1 does include an independent Baud Rate Generator. The baud rate can be selected from the oscillator (divided by a constant), Timer 1 overflow, or the independent Baud Rate Generator. In addition to the baud rate generation, enhancements over the standard 80C51 UART include Framing Error detection, automatic address recognition, selectable double buffering and several interrupt options. The UART can be operated in four modes: shift register, 8-bit UART, 9-bit UART, and CPU clock/32 or CPU clock/16.

7.20.1 Mode 0

Serial data enters and exits through RXD. TXD outputs the shift clock. 8 bits are transmitted or received, LSB first. The baud rate is fixed at $\frac{1}{16}$ of the CPU clock frequency.

7.20.2 Mode 1

10 bits are transmitted (through TXD) or received (through RXD): a start bit (logic 0), 8 data bits (LSB first), and a stop bit (logic 1). When data is received, the stop bit is stored in RB8 in Special Function Register SCON. The baud rate is variable and is determined by the Timer 1 overflow rate or the Baud Rate Generator (described in [Section 7.20.5 "Baud rate generator and selection"](#)).

7.20.3 Mode 2

11 bits are transmitted (through TXD) or received (through RXD): start bit (logic 0), 8 data bits (LSB first), a programmable 9th data bit, and a stop bit (logic 1). When data is transmitted, the 9th data bit (TB8 in SCON) can be assigned the value of logic 0 or logic 1. Or, for example, the parity bit (P, in the PSW) could be moved into TB8. When data is received, the 9th data bit goes into RB8 in Special Function Register SCON, while the stop bit is not saved. The baud rate is programmable to either 1/16 or 1/32 of the CPU clock frequency, as determined by the SMOD1 bit in PCON.

7.20.4 Mode 3

11 bits are transmitted (through TXD) or received (through RXD): a start bit (logic 0), 8 data bits (LSB first), a programmable 9th data bit, and a stop bit (logic 1). In fact, Mode 3 is the same as Mode 2 in all respects except baud rate. The baud rate in Mode 3 is variable and is determined by the Timer 1 overflow rate or the Baud Rate Generator (described in [Section 7.20.5 “Baud rate generator and selection”](#)).

7.20.5 Baud rate generator and selection

The P89LPC932A1 enhanced UART has an independent Baud Rate Generator. The baud rate is determined by a baud-rate preprogrammed into the BRGR1 and BRGR0 SFRs which together form a 16-bit baud rate divisor value that works in a similar manner as Timer 1 but is much more accurate. If the baud rate generator is used, Timer 1 can be used for other timing functions.

The UART can use either Timer 1 or the baud rate generator output (see [Figure 13](#)). Note that Timer T1 is further divided by 2 if the SMOD1 bit (PCON.7) is cleared. The independent Baud Rate Generator uses OSCCLK.

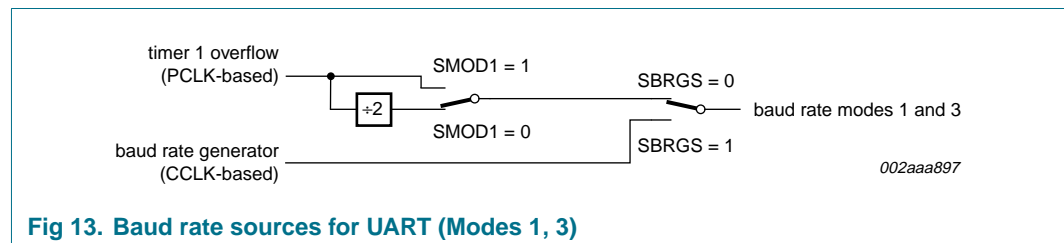


Fig 13. Baud rate sources for UART (Modes 1, 3)

7.20.6 Framing error

Framing error is reported in the status register (SSTAT). In addition, if SMOD0 (PCON.6) is logic 1, framing errors can be made available in SCON.7 respectively. If SMOD0 is logic 0, SCON.7 is SM0. It is recommended that SM0 and SM1 (SCON.7:6) are set up when SMOD0 is logic 0.

7.20.7 Break detect

Break detect is reported in the status register (SSTAT). A break is detected when 11 consecutive bits are sensed LOW. The break detect can be used to reset the device and force the device into ISP mode.

7.20.8 Double buffering

The UART has a transmit double buffer that allows buffering of the next character to be written to SBUF while the first character is being transmitted. Double buffering allows transmission of a string of characters with only one stop bit between any two characters, as long as the next character is written between the start bit and the stop bit of the previous character.

Double buffering can be disabled. If disabled (DBMOD, i.e., SSTAT.7 = 0), the UART is compatible with the conventional 80C51 UART. If enabled, the UART allows writing to SnBUF while the previous data is being shifted out. Double buffering is only allowed in Modes 1, 2 and 3. When operated in Mode 0, double buffering must be disabled (DBMOD = 0).

7.20.9 Transmit interrupts with double buffering enabled (modes 1, 2 and 3)

Unlike the conventional UART, in double buffering mode, the Tx interrupt is generated when the double buffer is ready to receive new data.

7.20.10 The 9th bit (bit 8) in double buffering (modes 1, 2 and 3)

If double buffering is disabled TB8 can be written before or after SBUF is written, as long as TB8 is updated some time before that bit is shifted out. TB8 must not be changed until the bit is shifted out, as indicated by the Tx interrupt.

If double buffering is enabled, TB8 **must** be updated before SBUF is written, as TB8 will be double-buffered together with SBUF data.

7.21 I²C-bus serial interface

The I²C-bus uses two wires (SDA and SCL) to transfer information between devices connected to the bus, and it has the following features:

- Bidirectional data transfer between masters and slaves.
- Multi master bus (no central master).
- Arbitration between simultaneously transmitting masters without corruption of serial data on the bus.
- Serial clock synchronization allows devices with different bit rates to communicate via one serial bus.
- Serial clock synchronization can be used as a handshake mechanism to suspend and resume serial transfer.
- The I²C-bus may be used for test and diagnostic purposes.

A typical I²C-bus configuration is shown in [Figure 14](#). The P89LPC932A1 device provides a byte-oriented I²C-bus interface that supports data transfers up to 400 kHz.

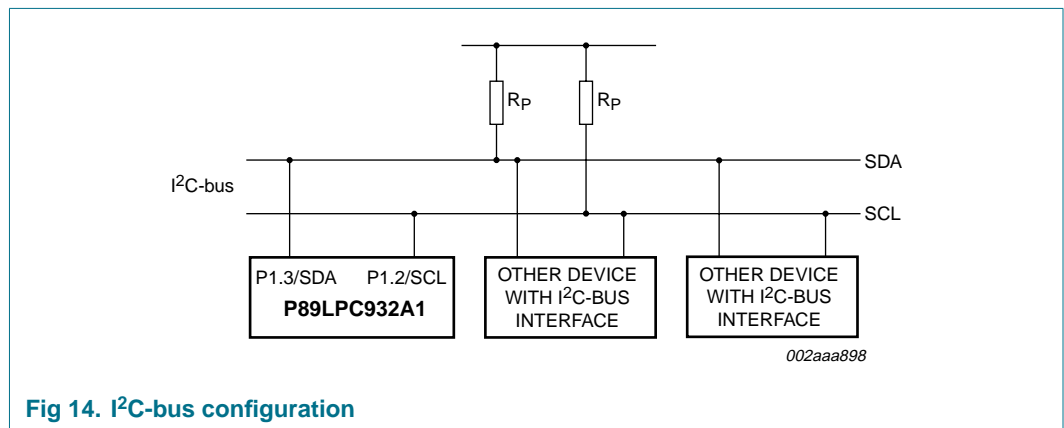


Fig 14. I²C-bus configuration

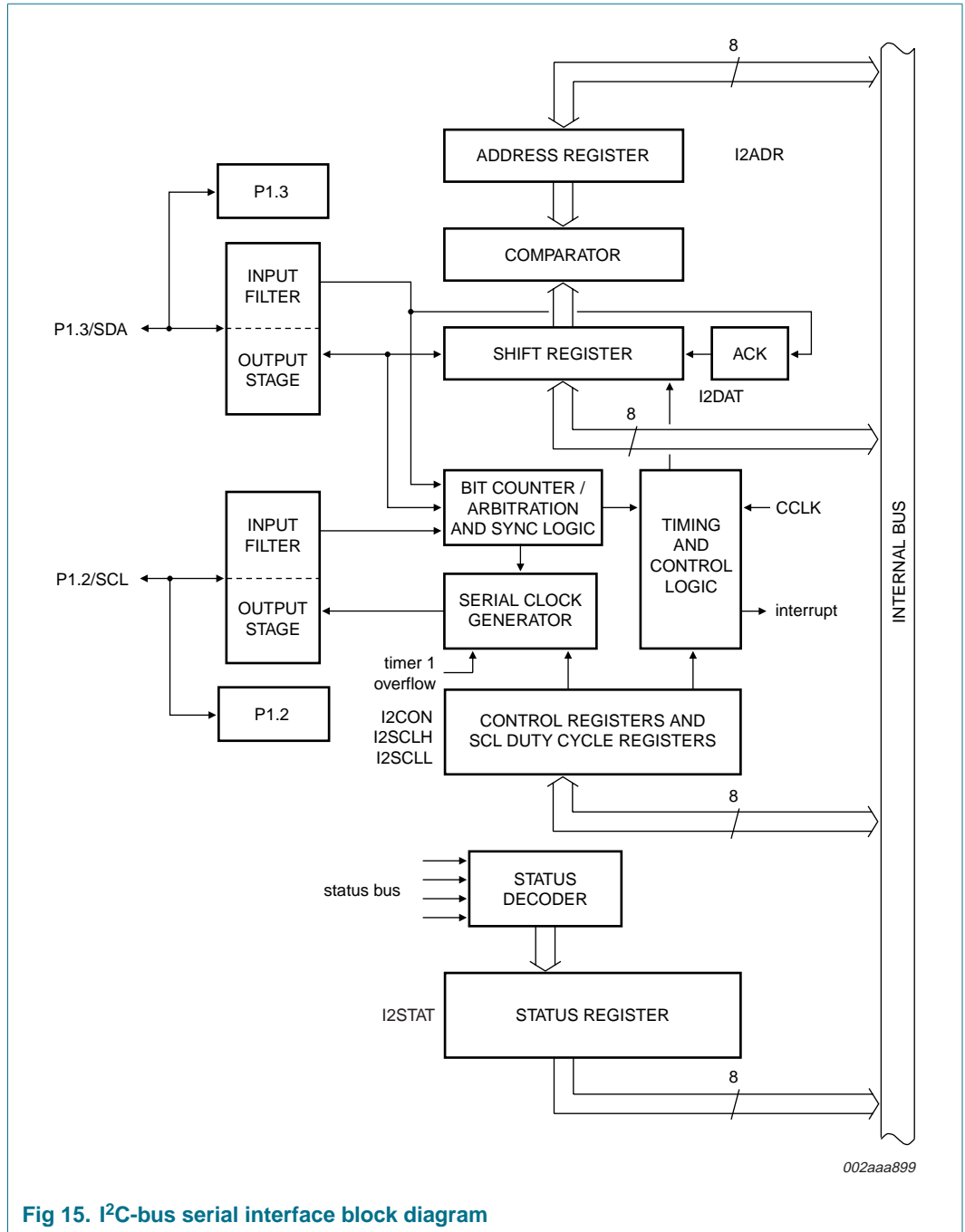


Fig 15. I²C-bus serial interface block diagram

7.22 Serial Peripheral Interface (SPI)

The P89LPC932A1 provides another high-speed serial communication interface—the SPI interface. SPI is a full-duplex, high-speed, synchronous communication bus with two operation modes: Master mode and Slave mode. Up to 3 Mbit/s can be supported in Master mode or up to 2 Mbit/s in Slave mode. It has a Transfer Completion Flag and Write Collision Flag Protection.

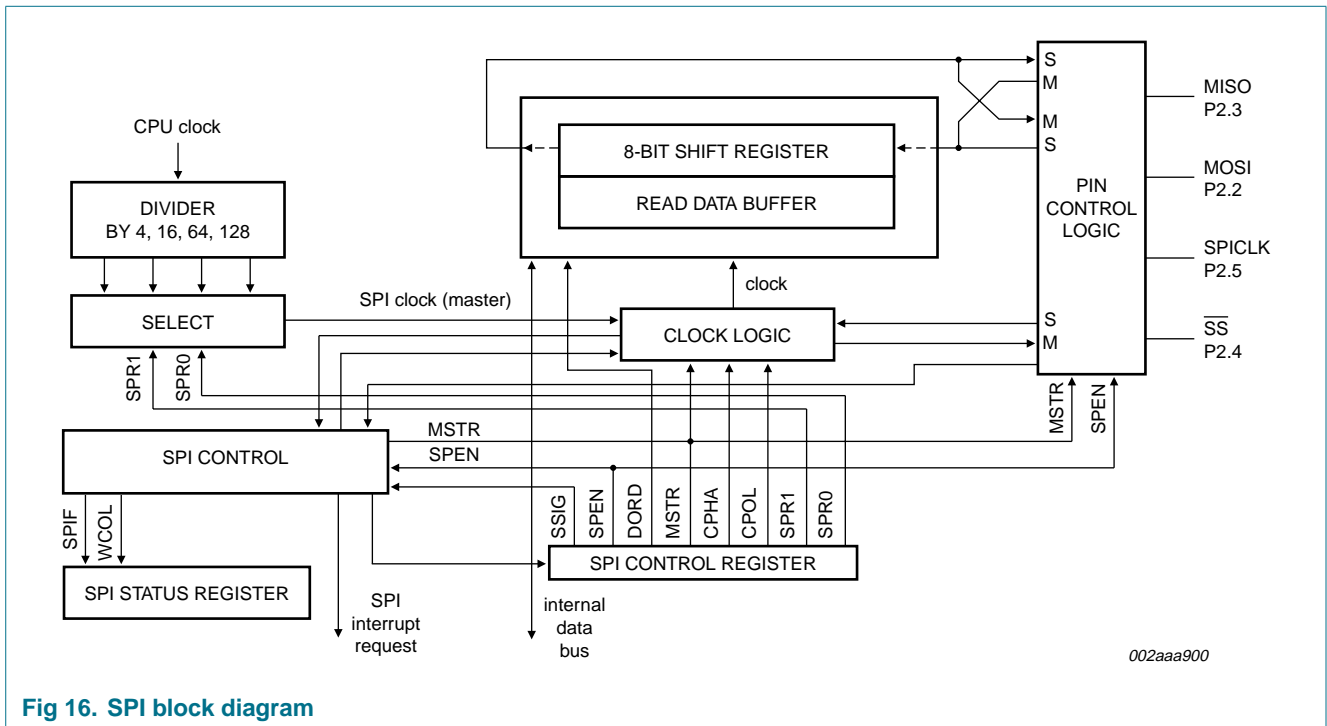


Fig 16. SPI block diagram

The SPI interface has four pins: SPICLK, MOSI, MISO and \overline{SS} :

- SPICLK, MOSI and MISO are typically tied together between two or more SPI devices. Data flows from master to slave on MOSI (Master Out Slave In) pin and flows from slave to master on MISO (Master In Slave Out) pin. The SPICLK signal is output in the master mode and is input in the slave mode. If the SPI system is disabled, i.e., SPEN (SPCTL.6) = 0 (reset value), these pins are configured for port functions.
- \overline{SS} is the optional slave select pin. In a typical configuration, an SPI master asserts one of its port pins to select one SPI device as the current slave. An SPI slave device uses its \overline{SS} pin to determine whether it is selected.

Typical connections are shown in [Figure 17](#) through [Figure 19](#).

7.22.1 Typical SPI configurations

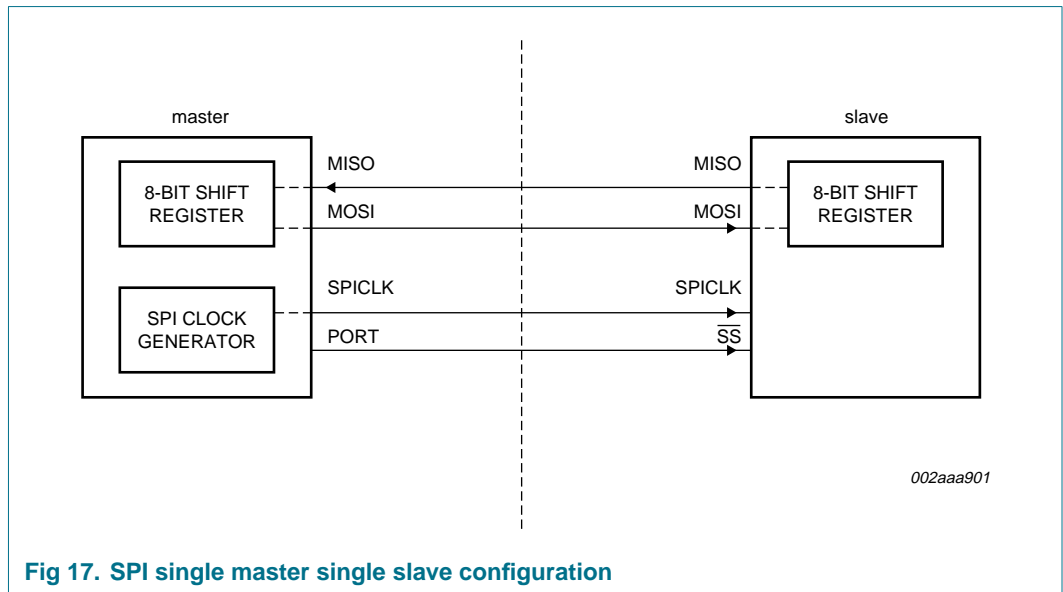


Fig 17. SPI single master single slave configuration

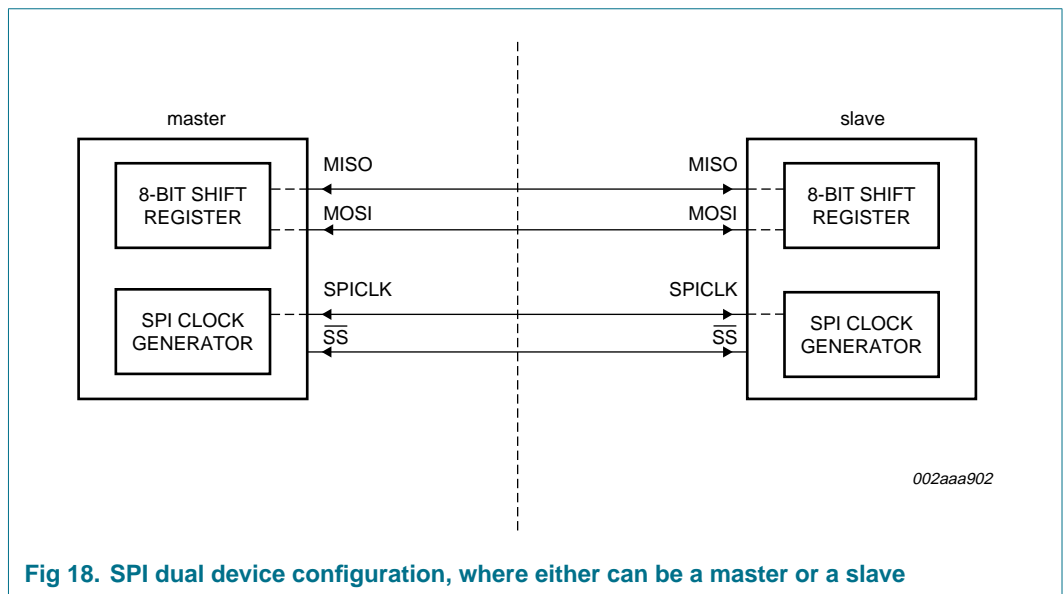
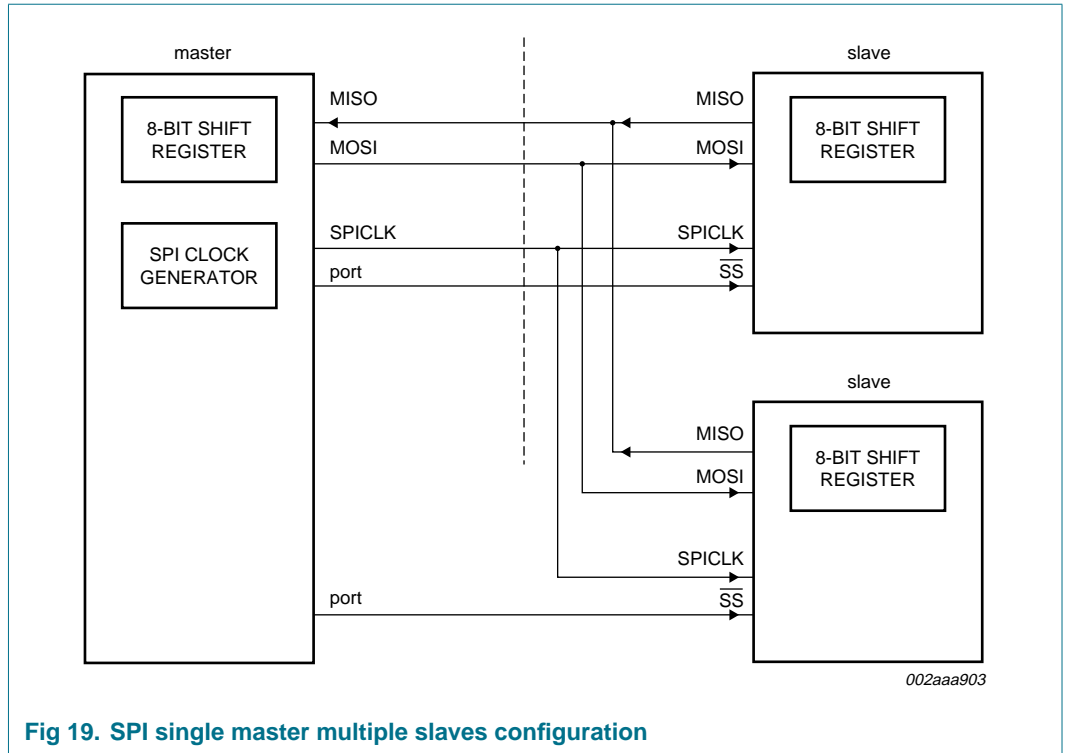


Fig 18. SPI dual device configuration, where either can be a master or a slave



7.23 Analog comparators

Two analog comparators are provided on the P89LPC932A1. Input and output options allow use of the comparators in a number of different configurations. Comparator operation is such that the output is a logic 1 (which may be read in a register and/or routed to a pin) when the positive input (one of two selectable pins) is greater than the negative input (selectable from a pin or an internal reference voltage). Otherwise the output is a zero. Each comparator may be configured to cause an interrupt when the output value changes.

The overall connections to both comparators are shown in [Figure 20](#). The comparators function to $V_{DD} = 2.4\text{ V}$.

When each comparator is first enabled, the comparator output and interrupt flag are not guaranteed to be stable for 10 microseconds. The corresponding comparator interrupt should not be enabled during that time, and the comparator interrupt flag must be cleared before the interrupt is enabled in order to prevent an immediate interrupt service.

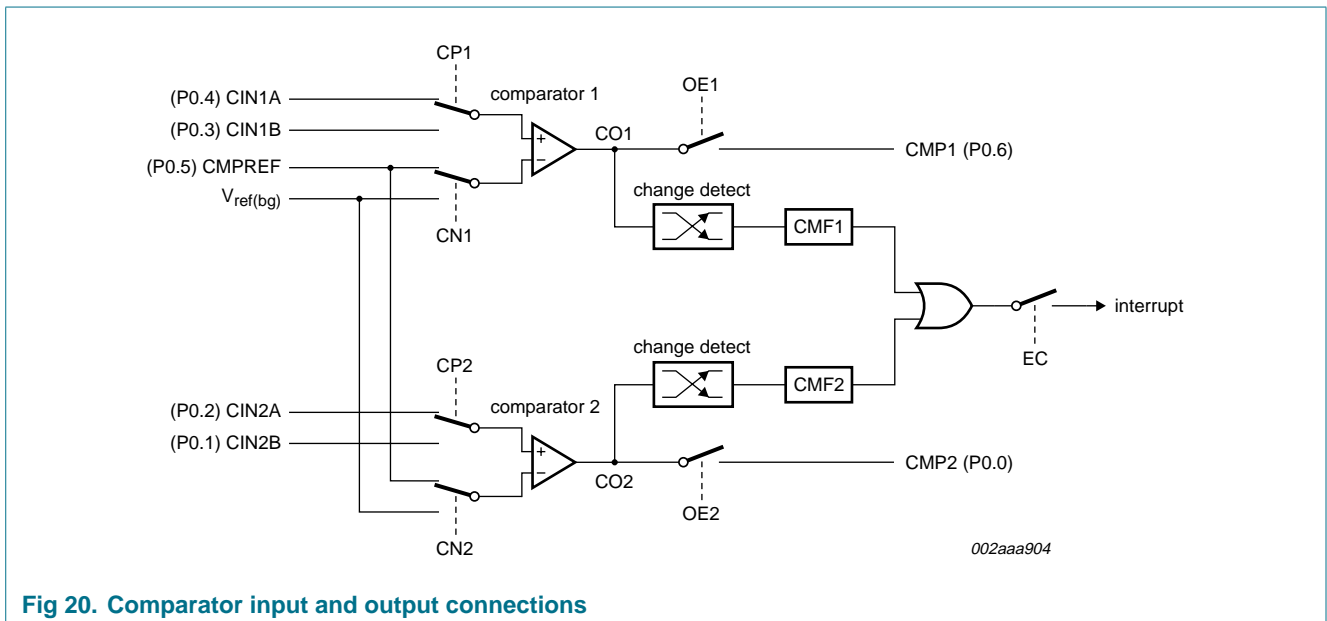


Fig 20. Comparator input and output connections

7.23.1 Internal reference voltage

An internal reference voltage generator may supply a default reference when a single comparator input pin is used. The value of the internal reference voltage, referred to as V_{REF} , is $1.23\text{ V} \pm 10\%$.

7.23.2 Comparator interrupt

Each comparator has an interrupt flag contained in its configuration register. This flag is set whenever the comparator output changes state. The flag may be polled by software or may be used to generate an interrupt. The two comparators use one common interrupt vector. If both comparators enable interrupts, after entering the interrupt service routine, the user needs to read the flags to determine which comparator caused the interrupt.

7.23.3 Comparators and power reduction modes

Either or both comparators may remain enabled when Power-down or Idle mode is activated, but both comparators are disabled automatically in Total Power-down mode.

If a comparator interrupt is enabled (except in Total Power-down mode), a change of the comparator output state will generate an interrupt and wake up the processor. If the comparator output to a pin is enabled, the pin should be configured in the push-pull mode in order to obtain fast switching times while in Power-down mode. The reason is that with the **oscillator** stopped, the temporary strong pull-up that normally occurs during switching on a quasi-bidirectional port pin does not take place.

Comparators consume power in Power-down and Idle modes, as well as in the normal operating mode. This fact should be taken into account when system power consumption is an issue. To minimize power consumption, the user can disable the comparators via PCONA.5, or put the device in Total Power-down mode.

7.24 Keypad interrupt

The Keypad Interrupt function is intended primarily to allow a single interrupt to be generated when Port 0 is equal to or not equal to a certain pattern. This function can be used for bus address recognition or keypad recognition. The user can configure the port via SFRs for different tasks.

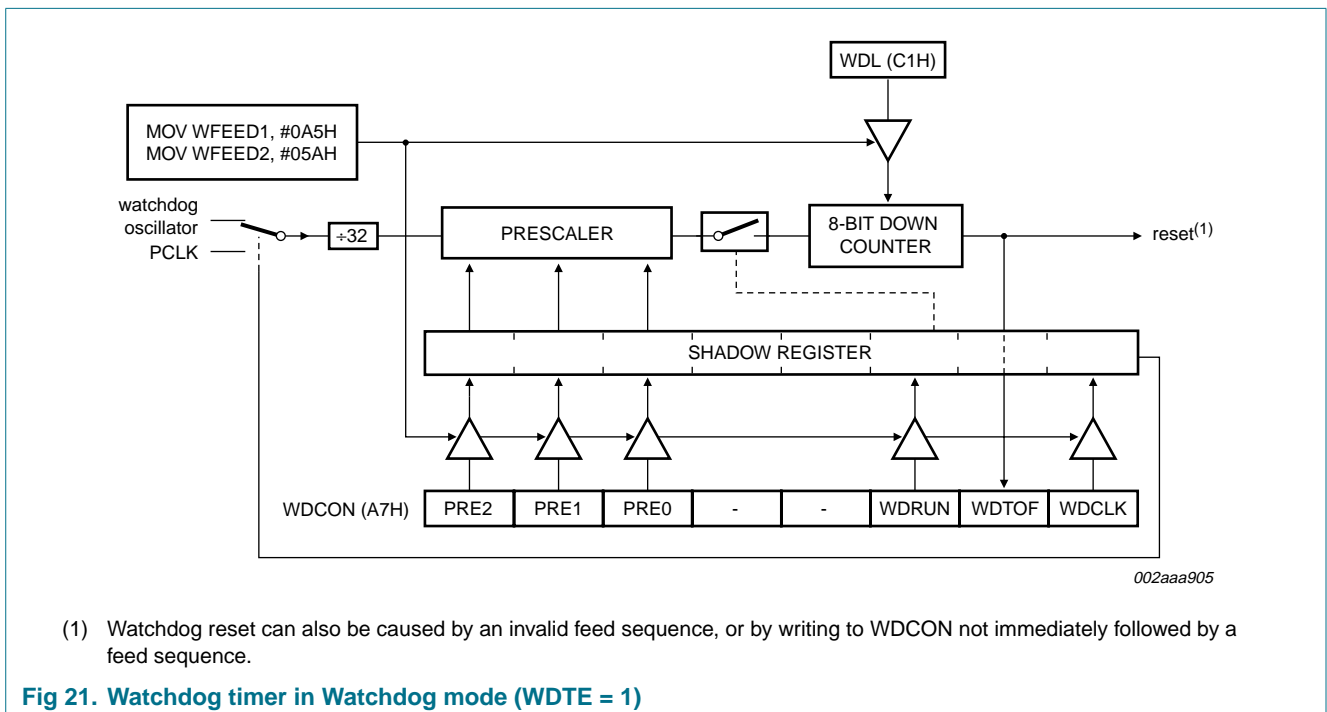
The Keypad Interrupt Mask Register (KBMASK) is used to define which input pins connected to Port 0 can trigger the interrupt. The Keypad Pattern Register (KBPATN) is used to define a pattern that is compared to the value of Port 0. The Keypad Interrupt Flag (KBIF) in the Keypad Interrupt Control Register (KBCON) is set when the condition is matched while the Keypad Interrupt function is active. An interrupt will be generated if enabled. The PATN_SEL bit in the Keypad Interrupt Control Register (KBCON) is used to define equal or not-equal for the comparison.

In order to use the Keypad Interrupt as an original KBI function like in 87LPC76x series, the user needs to set KBPATN = 0FFH and PATN_SEL = 1 (not equal), then any key connected to Port 0 which is enabled by the KBMASK register will cause the hardware to set KBIF and generate an interrupt if it has been enabled. The interrupt may be used to wake up the CPU from Idle or Power-down modes. This feature is particularly useful in handheld, battery-powered systems that need to carefully manage power consumption yet also need to be convenient to use.

In order to set the flag and cause an interrupt, the pattern on Port 0 must be held longer than six CCLKs.

7.25 Watchdog timer

The watchdog timer causes a system reset when it underflows as a result of a failure to feed the timer prior to the timer reaching its terminal count. It consists of a programmable 12-bit prescaler, and an 8-bit down counter. The down counter is decremented by a tap taken from the prescaler. The clock source for the prescaler is either the PCLK or the nominal 400 kHz watchdog oscillator. The watchdog timer can only be reset by a power-on reset. When the watchdog feature is disabled, it can be used as an interval timer and may generate an interrupt. Figure 21 shows the watchdog timer in Watchdog mode. Feeding the watchdog requires a two-byte sequence. If PCLK is selected as the watchdog clock and the CPU is powered-down, the watchdog is disabled. The watchdog timer has a time-out period that ranges from a few μ s to a few seconds. Please refer to the P89LPC932A1 *User manual* for more details.



7.26 Additional features

7.26.1 Software reset

The SRST bit in AUXR1 gives software the opportunity to reset the processor completely, as if an external reset or watchdog reset had occurred. Care should be taken when writing to AUXR1 to avoid accidental software resets.

7.26.2 Dual data pointers

The dual Data Pointers (DPTR) provides two different Data Pointers to specify the address used with certain instructions. The DPS bit in the AUXR1 register selects one of the two Data Pointers. Bit 2 of AUXR1 is permanently wired as a logic 0 so that the DPS bit may be toggled (thereby switching Data Pointers) simply by incrementing the AUXR1 register, without the possibility of inadvertently altering other bits in the register.

7.27 Data EEPROM

The P89LPC932A1 has 512 B of on-chip data EEPROM. The data EEPROM is SFR based, byte readable, byte writable, and erasable (via row fill and sector fill). The user can read, write and fill the memory via SFRs and one interrupt. This data EEPROM provides 400000 minimum erase/program cycles for each byte.

- **Byte mode:** In this mode, data can be read and written one byte at a time.
- **Row fill:** In this mode, the addressed row (64 bytes) is filled with a single value. The entire row can be erased by writing 00H.
- **Sector fill:** In this mode, all 512 bytes are filled with a single value. The entire sector can be erased by writing 00H.

After the operation finishes, the hardware will set the EEIF bit, which if enabled will generate an interrupt. The flag is cleared by software.

7.28 Flash program memory

7.28.1 General description

The P89LPC932A1 flash memory provides in-circuit electrical erasure and programming. The flash can be erased, read, and written as bytes. The Sector and Page Erase functions can erase any flash sector (1 kB) or page (64 bytes). The Chip Erase operation will erase the entire program memory. ICP using standard commercial programmers is available. In addition, IAP and byte-erase allows code memory to be used for non-volatile data storage. On-chip erase and write timing generation contribute to a user-friendly programming interface. The P89LPC932A1 flash reliably stores memory contents even after 400000 erase and program cycles. The cell is designed to optimize the erase and programming mechanisms. The P89LPC932A1 uses V_{DD} as the supply voltage to perform the Program/Erase algorithms.

7.28.2 Features

- Programming and erase over the full operating voltage range.
- Byte erase allows code memory to be used for data storage.
- Read/Programming/Erase using ISP/IAP/ICP.
- Internal fixed boot ROM, containing low-level IAP routines available to user code.
- Default loader providing ISP via the serial port, located in upper end of user program memory.
- Boot vector allows user-provided flash loader code to reside anywhere in the flash memory space, providing flexibility to the user.
- Any flash program/erase operation in 2 ms.
- Programming with industry-standard commercial programmers.
- Programmable security for the code in the flash for each sector.
- 400000 typical erase/program cycles for each byte.
- 20 year minimum data retention.

7.28.3 Flash organization

The program memory consists of eight 1 kB sectors on the P89LPC932A1 device. Each sector can be further divided into 64-byte pages. In addition to sector erase, page erase, and byte erase, a 64-byte page register is included which allows from 1 byte to 64 bytes of a given page to be programmed at the same time, substantially reducing overall programming time.

7.28.4 Using flash as data storage

The flash code memory array of this device supports individual byte erasing and programming. Any byte in the code memory array may be read using the MOVC instruction, provided that the sector containing the byte has not been secured (a MOVC instruction is not allowed to read code memory contents of a secured sector). Thus any byte in a non-secured sector may be used for non-volatile data storage.

7.28.5 Flash programming and erasing

Four different methods of erasing or programming of the flash are available. The flash may be programmed or erased in the end-user application (IAP) under control of the application's firmware. Another option is to use the ICP mechanism. This ICP system provides for programming through a serial clock - serial data interface. As shipped from the factory, the upper 512 bytes of user code space contains a serial ISP routine allowing for the device to be programmed in circuit through the serial port. The flash may also be programmed or erased using a commercially available EPROM programmer which supports this device. This device does not provide for direct verification of code memory contents. Instead, this device provides a 32-bit CRC result on either a sector or the entire user code space.

7.28.6 In-circuit programming

ICP is performed without removing the microcontroller from the system. The ICP facility consists of internal hardware resources to facilitate remote programming of the P89LPC932A1 through a two-wire serial interface. The ICP facility has made ICP in an embedded application—using commercially available programmers—possible with a minimum of additional expense in components and circuit board area. The ICP function uses five pins. Only a small connector needs to be available to interface your application to a commercial programmer in order to use this feature. Additional details may be found in the P89LPC932A1 *User manual*.

7.28.7 In-application programming

IAP is performed in the application under the control of the microcontroller's firmware. The IAP facility consists of internal hardware resources to facilitate programming and erasing. The IAP facility has made IAP in an embedded application possible without additional components. Two methods are available to accomplish IAP. A set of predefined IAP functions are provided in a Boot ROM and can be called through a common interface, PGM_MTP. Several IAP calls are available for use by an application program to permit selective erasing and programming of flash sectors, pages, security bits, configuration bytes, and device ID. These functions are selected by setting up the microcontroller's registers before making a call to PGM_MTP at FF00H. The Boot ROM occupies the program memory space at the top of the address space from FF00H to FEFFH, thereby not conflicting with the user program memory space.

In addition, IAP operations can be accomplished through the use of four SFRs consisting of a control/status register, a data register, and two address registers. Additional details may be found in the P89LPC932A1 *User manual*.

7.28.8 In-system programming

ISP is performed without removing the microcontroller from the system. The ISP facility consists of a series of internal hardware resources coupled with internal firmware to facilitate remote programming of the P89LPC932A1 through the serial port. This firmware is provided by NXP and embedded within each P89LPC932A1 device. The ISP facility has made ISP in an embedded application possible with a minimum of additional expense in components and circuit board area. The ISP function uses five pins (V_{DD} , V_{SS} , TXD, RXD, and \overline{RST}). Only a small connector needs to be available to interface your application to an external circuit in order to use this feature.

7.28.9 Power-on reset code execution

The P89LPC932A1 contains two special flash elements: the Boot Vector and the Boot Status Bit. Following reset, the P89LPC932A1 examines the contents of the Boot Status Bit. If the Boot Status Bit is set to zero, power-up execution starts at location 0000H, which is the normal start address of the user’s application code. When the Boot Status Bit is set to a value other than zero, the contents of the Boot Vector are used as the high byte of the execution address and the low byte is set to 00H.

[Table 6](#) shows the factory default Boot Vector settings for these devices. **Note: These settings are different than the original P89LPC932. Tools designed to support the P89LPC932A1 should be used to program this device, such as Flash Magic version 1.98, or later.** A factory-provided boot loader is preprogrammed into the address space indicated and uses the indicated boot loader entry point to perform ISP functions. This code can be erased by the user. **Users who wish to use this loader should take precautions to avoid erasing the 1 kB sector that contains this boot loader. Instead, the page erase function can be used to erase the first eight 64-byte pages located in this sector.** A custom boot loader can be written with the Boot Vector set to the custom boot loader, if desired.

Table 6. Default Boot Vector values and ISP entry points

Device	Default Boot Vector	Default boot loader entry point	Default boot loader code range	1 kB sector range
P89LPC932A1	1FH	1F00H	1E00H to 1FFFH	1C00H to 1FFFH

7.28.10 Hardware activation of the boot loader

The boot loader can also be executed by forcing the device into ISP mode during a power-on sequence (see the P89LPC932A1 *User manual* for specific information). This has the same effect as having a non-zero status byte. This allows an application to be built that will normally execute user code but can be manually forced into ISP operation. If the factory default setting for the Boot Vector (1FH) is changed, it will no longer point to the factory preprogrammed ISP boot loader code. After programming the flash, the status byte should be programmed to zero in order to allow execution of the user’s application code beginning at address 0000H.

7.29 User configuration bytes

Some user-configurable features of the P89LPC932A1 must be defined at power-up and therefore cannot be set by the program after start of execution. These features are configured through the use of the flash byte UCFG1. Please see the P89LPC932A1 *User manual* for additional details.

7.30 User sector security bytes

There are eight User Sector Security Bytes on the P89LPC932A1 device. Each byte corresponds to one sector. Please see the P89LPC932A1 *User manual* for additional details.

8. Limiting values

Table 7. Limiting values

In accordance with the Absolute Maximum Rating System (IEC 60134).^[1]

Symbol	Parameter	Conditions	Min	Max	Unit
$T_{amb(bias)}$	operating bias ambient temperature		-55	+125	°C
T_{stg}	storage temperature range		-65	+150	°C
$I_{OH(I/O)}$	HIGH-level output current per I/O pin		-	20	mA
$I_{OL(I/O)}$	LOW-level output current per I/O pin		-	20	mA
$I_{I/O(tot)(max)}$	maximum total I/O current		-	100	mA
V_n	voltage on any pin (except V_{SS})	with respect to V_{DD}	-	+3.5	V
$P_{tot(pack)}$	total power dissipation per package	based on package heat transfer, not device power consumption	-	1.5	W

[1] The following applies to [Table 7 "Limiting values"](#):

- a) This product includes circuitry specifically designed for the protection of its internal devices from the damaging effects of excessive static charge. Nonetheless, it is suggested that conventional precautions be taken to avoid applying greater than the rated maximum.
- b) Parameters are valid over operating temperature range unless otherwise specified. All voltages are with respect to V_{SS} unless otherwise noted.

9. Static characteristics

Table 8. Static characteristics

$V_{DD} = 2.4\text{ V to }3.6\text{ V}$ unless otherwise specified.

$T_{amb} = -40\text{ °C to }+85\text{ °C}$ for industrial applications, unless otherwise specified.

Symbol	Parameter	Conditions	Min	Typ ^[1]	Max	Unit
$I_{DD(oper)}$	operating supply current	$V_{DD} = 3.6\text{ V};$ $f_{osc} = 12\text{ MHz}$	[2] -	11	18	mA
		$V_{DD} = 3.6\text{ V};$ $f_{osc} = 18\text{ MHz}$		14	23	mA
$I_{DD(idle)}$	Idle mode supply current	$V_{DD} = 3.6\text{ V};$ $f_{osc} = 12\text{ MHz}$	[2] -	3.25	5	mA
		$V_{DD} = 3.6\text{ V};$ $f_{osc} = 18\text{ MHz}$		5	7	mA
$I_{DD(pd)}$	power supply current, Power-down mode, voltage comparators powered-down	$V_{DD} = 3.6\text{ V}$	[2] -	55	80	μA
$I_{DD(tpd)}$	total Power-down mode supply current	$V_{DD} = 3.6\text{ V}$	[3] -	0.5	5	μA
$(dV/dt)_r$	rise rate	of V_{DD}	-	-	2	$\text{mV}/\mu\text{s}$
$(dV/dt)_f$	fall rate	of V_{DD}	-	-	50	$\text{mV}/\mu\text{s}$
V_{DDR}	data retention voltage		1.5	-	-	V
$V_{th(HL)}$	HIGH-LOW threshold voltage	except SCL, SDA	$0.22V_{DD}$	$0.4V_{DD}$	-	V
V_{IL}	LOW-level input voltage	SCL, SDA only	-0.5	-	$0.3V_{DD}$	V
$V_{th(LH)}$	LOW-HIGH threshold voltage	except SCL, SDA	-	$0.6V_{DD}$	$0.7V_{DD}$	V
V_{IH}	HIGH-level input voltage	SCL, SDA only	$0.7V_{DD}$	-	5.5	V
V_{hys}	hysteresis voltage	Port 1	-	$0.2V_{DD}$	-	V
V_{OL}	LOW-level output voltage	$I_{OL} = 20\text{ mA};$ $V_{DD} = 2.4\text{ V to }3.6\text{ V};$ all ports, all modes except high-Z	[4] -	0.6	1.0	V
		$I_{OL} = 3.2\text{ mA};$ $V_{DD} = 2.4\text{ V to }3.6\text{ V};$ all ports, all modes except high-Z	[4] -	0.2	0.3	V
V_{OH}	HIGH-level output voltage	$I_{OH} = -20\text{ }\mu\text{A};$ $V_{DD} = 2.4\text{ V to }3.6\text{ V};$ all ports, quasi-bidirectional mode	$V_{DD} - 0.3$	$V_{DD} - 0.2$	-	V
		$I_{OH} = -3.2\text{ mA};$ $V_{DD} = 2.4\text{ V to }3.6\text{ V};$ all ports, push-pull mode	$V_{DD} - 0.7$	$V_{DD} - 0.4$	-	V
V_{xtal}	voltage on XTAL1, XTAL2 pins	with respect to V_{SS}	-0.5	-	+4.0	V
V_n	voltage on any pin (except XTAL1, XTAL2, V_{DD})	with respect to V_{SS}	[5] -0.5	-	+5.5	V
C_{iss}	input capacitance		[6] -	-	15	pF
I_{IL}	logical 0 input current	$V_I = 0.4\text{ V}$	[7] -	-	-80	μA
I_{LI}	input leakage current	$V_I = V_{IL}, V_{IH},$ or $V_{th(HL)}$	[8] -	-	± 1	μA

Table 8. Static characteristics ...continued $V_{DD} = 2.4\text{ V to }3.6\text{ V unless otherwise specified.}$ $T_{amb} = -40\text{ }^{\circ}\text{C to }+85\text{ }^{\circ}\text{C for industrial applications, unless otherwise specified.}$

Symbol	Parameter	Conditions	Min	Typ ^[1]	Max	Unit
I_{TL}	logical 1-to-0 transition current, all ports	$V_I = 1.5\text{ V at }V_{DD} = 3.6\text{ V}$	[9] -30	-	-450	μA
$R_{RST(int)}$	internal pull-up resistance on pin $\overline{\text{RST}}$		10	-	30	$\text{k}\Omega$
V_{bo}	brownout trip voltage	$2.4\text{ V} < V_{DD} < 3.6\text{ V};$ with $\text{BOV} = 1, \text{BOPD} = 0$	2.40	-	2.70	V
$V_{ref(bg)}$	band gap reference voltage		1.19	1.23	1.27	V
TC_{bg}	band gap temperature coefficient		-	10	20	$\text{ppm}/^{\circ}\text{C}$

[1] Typical ratings are not guaranteed. The values listed are at room temperature, 3 V.

[2] The $I_{DD(oper)}$, $I_{DD(idle)}$, and $I_{DD(pd)}$ specifications are measured using an external clock with the following functions disabled: comparators, real-time clock, and watchdog timer.

[3] The $I_{DD(tpd)}$ specification is measured using an external clock with the following functions disabled: comparators, real-time clock, brownout detect, and watchdog timer.

[4] See [Section 8 "Limiting values" on page 45](#) for steady state (non-transient) limits on I_{OL} or I_{OH} . If I_{OL}/I_{OH} exceeds the test condition, V_{OL}/V_{OH} may exceed the related specification.

[5] This specification can be applied to pins which have analog comparator input functions when the pin is not being used for those analog functions. When the pin is being used as an analog input pin, the maximum voltage on the pin must be limited to 4.0 V with respect to V_{SS} .

[6] Pin capacitance is characterized but not tested.

[7] Measured with port in quasi-bidirectional mode.

[8] Measured with port in high-impedance mode.

[9] Port pins source a transition current when used in quasi-bidirectional mode and externally driven from logic 1 to logic 0. This current is highest when V_I is approximately 2 V.

10. Dynamic characteristics

Table 9. Dynamic characteristics (12 MHz)

$V_{DD} = 2.4\text{ V to }3.6\text{ V}$ unless otherwise specified.

$T_{amb} = -40\text{ }^{\circ}\text{C to }+85\text{ }^{\circ}\text{C}$ for industrial applications, unless otherwise specified.^{[1][2]}

Symbol	Parameter	Conditions	Variable clock		$f_{osc} = 12\text{ MHz}$		Unit
			Min	Max	Min	Max	
$f_{OSC(RC)}$	internal RC oscillator frequency		7.189	7.557	7.189	7.557	MHz
$f_{OSC(WD)}$	internal watchdog oscillator frequency		280	480	280	480	kHz
f_{osc}	oscillator frequency		0	12	-	-	MHz
$T_{cy(CLK)}$	clock cycle time	see Figure 23	83	-	-	-	ns
f_{CLKLP}	low power select clock frequency		0	8	-	-	MHz

Glitch filter

t_{gr}	glitch rejection	P1.5/ $\overline{\text{RST}}$ pin	-	50	-	50	ns
		any pin except P1.5/ $\overline{\text{RST}}$	-	15	-	15	ns
t_{sa}	signal acceptance	P1.5/ $\overline{\text{RST}}$ pin	125	-	125	-	ns
		any pin except P1.5/ $\overline{\text{RST}}$	50	-	50	-	ns

External clock

t_{CHCX}	clock HIGH time	see Figure 23	33	$T_{cy(CLK)} - t_{CLCX}$	33	-	ns
t_{CLCX}	clock LOW time	see Figure 23	33	$T_{cy(CLK)} - t_{CHCX}$	33	-	ns
t_{CLCH}	clock rise time	see Figure 23	-	8	-	8	ns
t_{CHCL}	clock fall time	see Figure 23	-	8	-	8	ns

Shift register (UART mode 0)

t_{XLXL}	serial port clock cycle time	see Figure 22	$16T_{cy(CLK)}$	-	1333	-	ns
t_{QVXH}	output data set-up to clock rising edge time	see Figure 22	$13T_{cy(CLK)}$	-	1083	-	ns
t_{XHQX}	output data hold after clock rising edge time	see Figure 22	-	$T_{cy(CLK)} + 20$	-	103	ns
t_{XHDX}	input data hold after clock rising edge time	see Figure 22	-	0	-	0	ns
t_{XHDX}	input data valid to clock rising edge time	see Figure 22	150	-	150	-	ns

SPI interface

f_{SPI}	SPI operating frequency						
	slave		0	$CCLK/6$	0	2.0	MHz
	master		-	$CCLK/4$	-	3.0	MHz
T_{SPICYC}	SPI cycle time	see Figure 24, 25, 26, 27					
	slave		$6CCLK$	-	500	-	ns
	master		$4CCLK$	-	333	-	ns
$t_{SPILEAD}$	SPI enable lead time	see Figure 26, 27					
	2.0 MHz (slave)		250	-	250	-	ns

Table 9. Dynamic characteristics (12 MHz) ...continued

$V_{DD} = 2.4\text{ V to }3.6\text{ V}$ unless otherwise specified.

$T_{amb} = -40\text{ °C to }+85\text{ °C}$ for industrial applications, unless otherwise specified.^{[1][2]}

Symbol	Parameter	Conditions	Variable clock		$f_{osc} = 12\text{ MHz}$		Unit
			Min	Max	Min	Max	
t _{SPILAG}	SPI enable lag time	see Figure 26, 27					
	2.0 MHz (slave)		250	-	250	-	ns
t _{SPICLK_H}	SPICLK HIGH time	see Figure 24, 25, 26, 27					
	master		2CCLK	-	165	-	ns
	slave		3CCLK	-	250	-	ns
t _{SPICLK_L}	SPICLK LOW time	see Figure 24, 25, 26, 27					
	master		2CCLK	-	165	-	ns
	slave		3CCLK	-	250	-	ns
t _{SPID_{SU}}	SPI data set-up time (master or slave)	see Figure 24, 25, 26, 27	100	-	100	-	ns
t _{SPID_H}	SPI data hold time (master or slave)	see Figure 24, 25, 26, 27	100	-	100	-	ns
t _{SPIA}	SPI access time (slave)	see Figure 26, 27	0	120	0	120	ns
t _{SPID_{IS}}	SPI disable time (slave)	see Figure 26, 27	0	240	-	240	ns
t _{SPID_V}	SPI enable to output data valid time	see Figure 24, 25, 26, 27					
	2.0 MHz		-	240	-	240	ns
	3.0 MHz		-	167	-	167	ns
t _{SPIO_H}	SPI output data hold time	see Figure 24, 25, 26, 27	0	-	0	-	ns
t _{SPI_R}	SPI rise time	see Figure 24, 25, 26, 27					
	SPI outputs (SPICLK, MOSI, MISO)		-	100	-	100	ns
	SPI inputs (SPICLK, MOSI, MISO, \overline{SS})		-	2000	-	2000	ns
t _{SPI_F}	SPI fall time	see Figure 24, 25, 26, 27					
	SPI outputs (SPICLK, MOSI, MISO)		-	100	-	100	ns
	SPI inputs (SPICLK, MOSI, MISO, \overline{SS})		-	2000	-	2000	ns

[1] Parts are tested to 2 MHz, but are guaranteed to operate down to 0 Hz.

[2] Parameters are valid over operating temperature range unless otherwise specified.

Table 10. Dynamic characteristics (18 MHz)

$V_{DD} = 3.0\text{ V to }3.6\text{ V}$ unless otherwise specified.

$T_{amb} = -40\text{ }^{\circ}\text{C to }+85\text{ }^{\circ}\text{C}$ for industrial applications, unless otherwise specified.^{[1][2]}

Symbol	Parameter	Conditions	Variable clock		$f_{osc} = 18\text{ MHz}$		Unit
			Min	Max	Min	Max	
$f_{OSC(RC)}$	internal RC oscillator frequency		7.189	7.557	7.189	7.557	MHz
$f_{OSC(WD)}$	internal watchdog oscillator frequency		280	480	280	480	kHz
f_{osc}	oscillator frequency		0	18	-	-	MHz
$T_{cy(CLK)}$	clock cycle time	see Figure 23	55	-	-	-	ns
f_{CLKLP}	low power select clock frequency		0	8	-	-	MHz

Glitch filter

t_{gr}	glitch rejection	P1.5/ \overline{RST} pin	-	50	-	50	ns
		any pin except P1.5/ \overline{RST}	-	15	-	15	ns
t_{sa}	signal acceptance	P1.5/ \overline{RST} pin	125	-	125	-	ns
		any pin except P1.5/ \overline{RST}	50	-	50	-	ns

External clock

t_{CHCX}	clock HIGH time	see Figure 23	22	$T_{cy(CLK)} - t_{CLCX}$	22	-	ns
t_{CLCX}	clock LOW time	see Figure 23	22	$T_{cy(CLK)} - t_{CHCX}$	22	-	ns
t_{CLCH}	clock rise time	see Figure 23	-	5	-	5	ns
t_{CHCL}	clock fall time	see Figure 23	-	5	-	5	ns

Shift register (UART mode 0)

t_{XLXL}	serial port clock cycle time	see Figure 22	$16T_{cy(CLK)}$	-	888	-	ns
t_{QVXH}	output data set-up to clock rising edge time	see Figure 22	$13T_{cy(CLK)}$	-	722	-	ns
t_{XHQX}	output data hold after clock rising edge time	see Figure 22	-	$T_{cy(CLK)} + 20$	-	75	ns
t_{XHDX}	input data hold after clock rising edge time	see Figure 22	-	0	-	0	ns
t_{XHDV}	input data valid to clock rising edge time	see Figure 22	150	-	150	-	ns

SPI interface

f_{SPI}	SPI operating frequency						
	slave		0	CCLK/6	0	3.0	MHz
	master		-	CCLK/4	-	4.5	MHz
T_{SPICYC}	SPI cycle time	see Figure 24, 25, 26, 27					
	slave		$6CCLK$	-	333	-	ns
	master		$4CCLK$	-	222	-	ns
$t_{SPILEAD}$	SPI enable lead time	see Figure 26, 27					
	2.0 MHz (slave)		250	-	250	-	ns
t_{SPILAG}	SPI enable lag time	see Figure 26, 27					
	2.0 MHz (slave)		250	-	250	-	ns

Table 10. Dynamic characteristics (18 MHz) ...continued

$V_{DD} = 3.0\text{ V to }3.6\text{ V unless otherwise specified.}$

$T_{amb} = -40\text{ °C to }+85\text{ °C for industrial applications, unless otherwise specified.}[1][2]$

Symbol	Parameter	Conditions	Variable clock		$f_{osc} = 18\text{ MHz}$		Unit
			Min	Max	Min	Max	
t _{SPICLK^H}	SPICLK HIGH time	see Figure 24 , 25 , 26 , 27					
	master		2CCLK	-	111	-	ns
	slave		3CCLK	-	167	-	ns
t _{SPICLK^L}	SPICLK LOW time	see Figure 24 , 25 , 26 , 27					
	master		2CCLK	-	111	-	ns
	slave		3CCLK	-	167	-	ns
t _{SPID^{SU}}	SPI data set-up time (master or slave)	see Figure 24 , 25 , 26 , 27	100	-	100	-	ns
t _{SPID^H}	SPI data hold time (master or slave)	see Figure 24 , 25 , 26 , 27	100	-	100	-	ns
t _{SPIA}	SPI access time (slave)	see Figure 26 , 27	0	80	0	80	ns
t _{SPI^{DIS}}	SPI disable time (slave)	see Figure 26 , 27	0	160	-	160	ns
t _{SPI^{DV}}	SPI enable to output data valid time	see Figure 24 , 25 , 26 , 27					
	2.0 MHz		-	160	-	160	ns
	3.0 MHz		-	111	-	111	ns
t _{SPI^{OH}}	SPI output data hold time	see Figure 24 , 25 , 26 , 27	0	-	0	-	ns
t _{SPI^R}	SPI rise time	see Figure 24 , 25 , 26 , 27					
	SPI outputs (SPICLK, MOSI, MISO)		-	100	-	100	ns
	SPI inputs (SPICLK, MOSI, MISO, \overline{SS})		-	2000	-	2000	ns
t _{SPI^F}	SPI fall time	see Figure 24 , 25 , 26 , 27					
	SPI outputs (SPICLK, MOSI, MISO)		-	100	-	100	ns
	SPI inputs (SPICLK, MOSI, MISO, \overline{SS})		-	2000	-	2000	ns

[1] Parts are tested to 2 MHz, but are guaranteed to operate down to 0 Hz.

[2] Parameters are valid over operating temperature range unless otherwise specified.

10.1 Waveforms

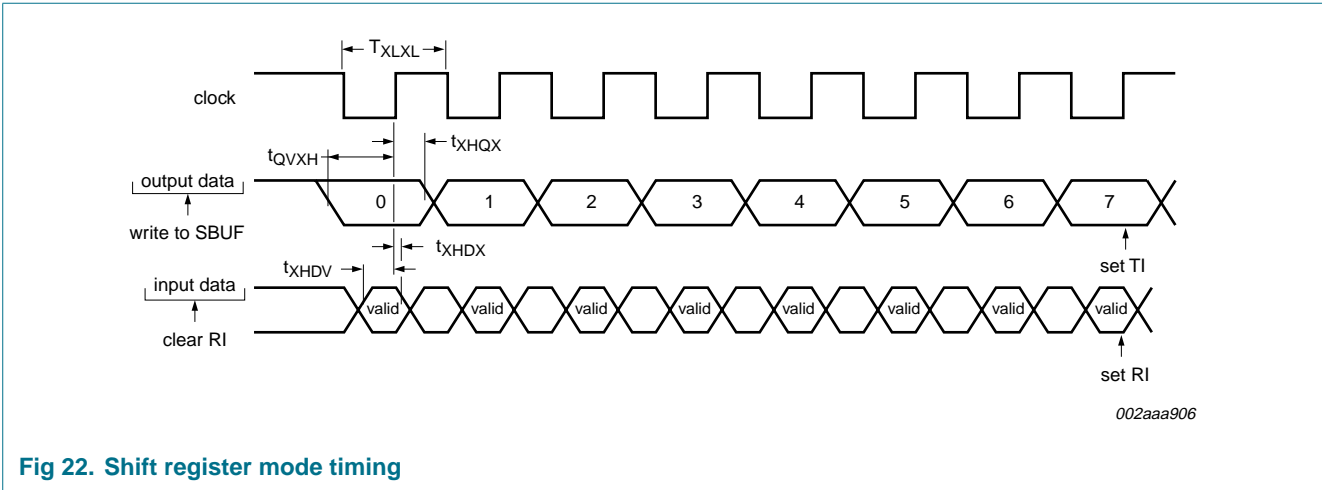


Fig 22. Shift register mode timing

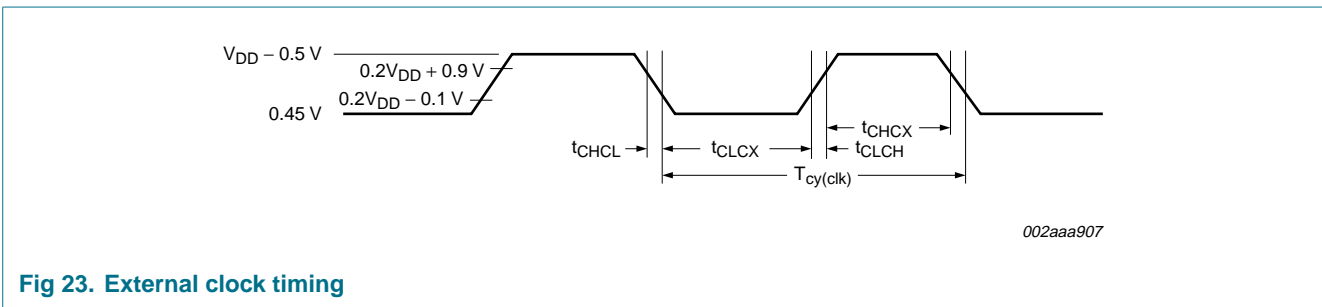


Fig 23. External clock timing

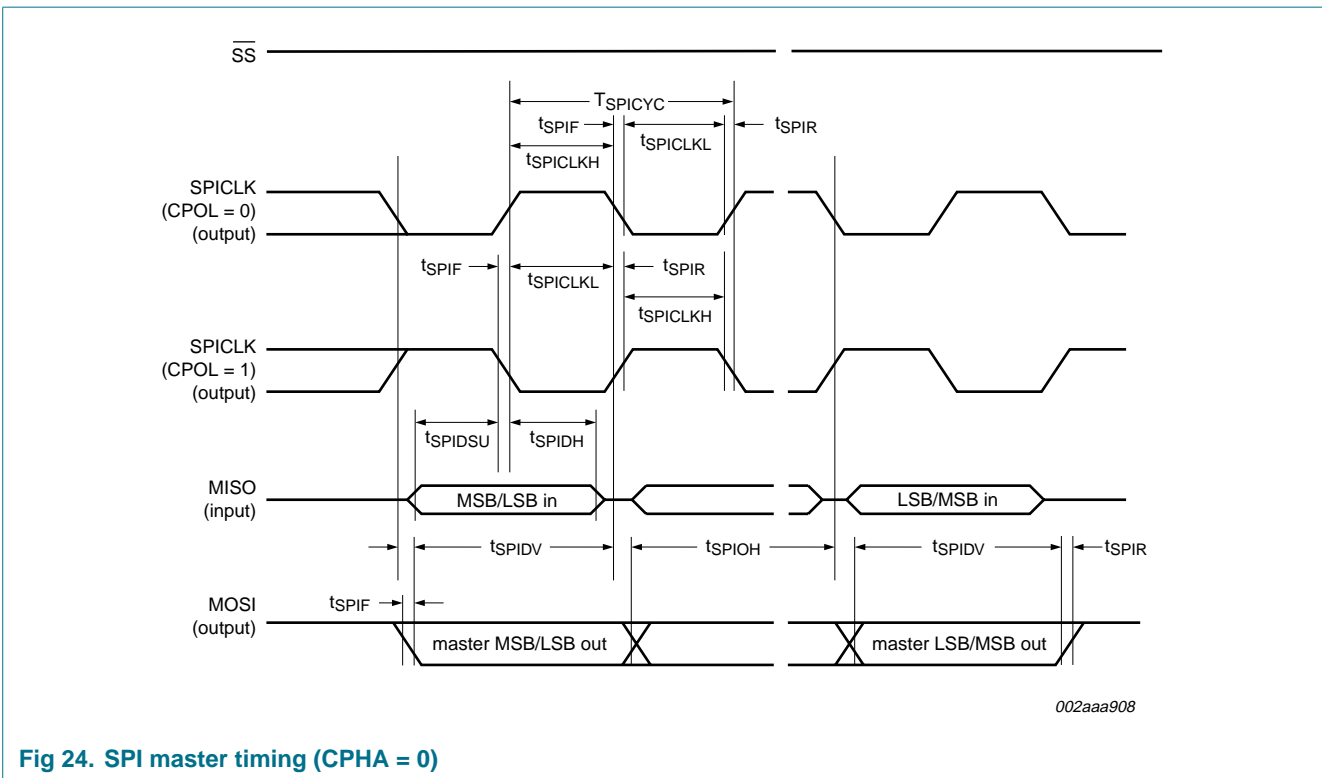


Fig 24. SPI master timing (CPHA = 0)

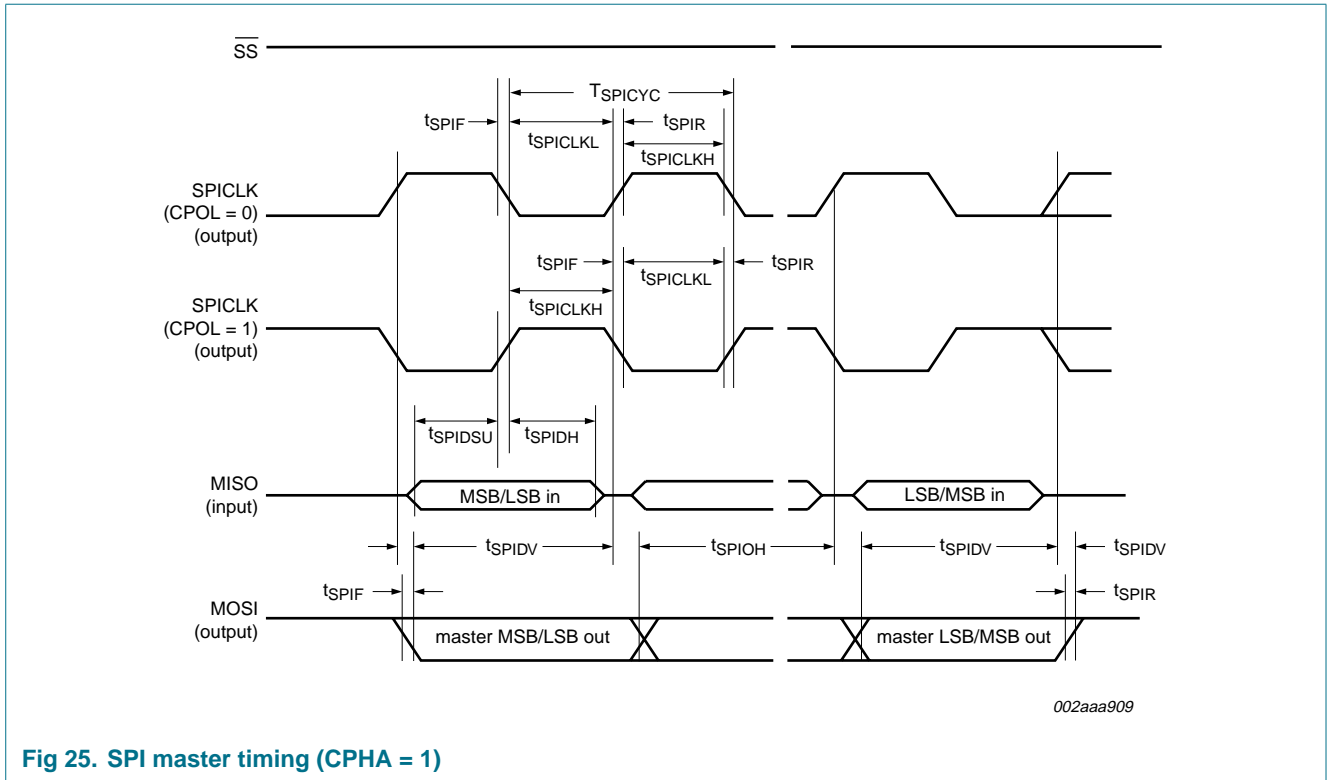


Fig 25. SPI master timing (CPHA = 1)

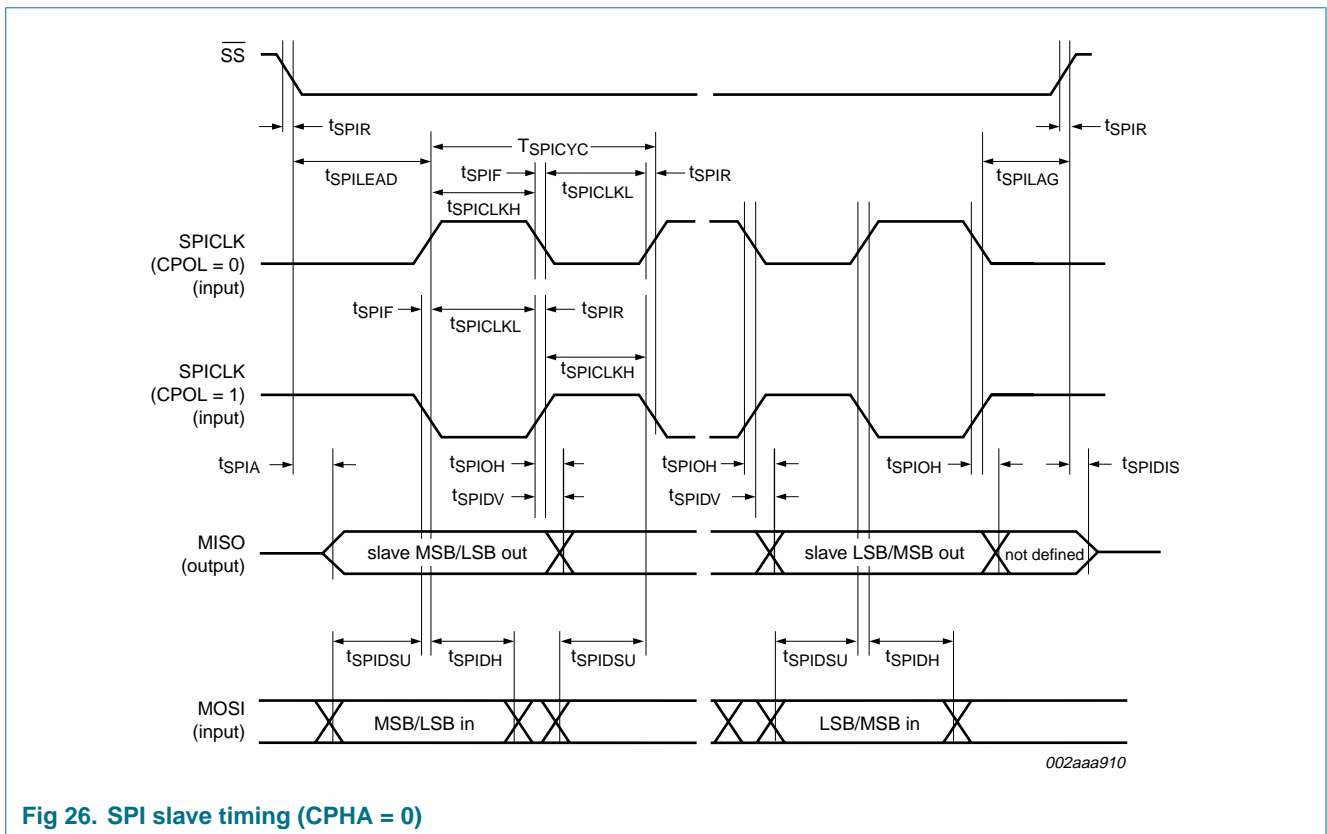


Fig 26. SPI slave timing (CPHA = 0)

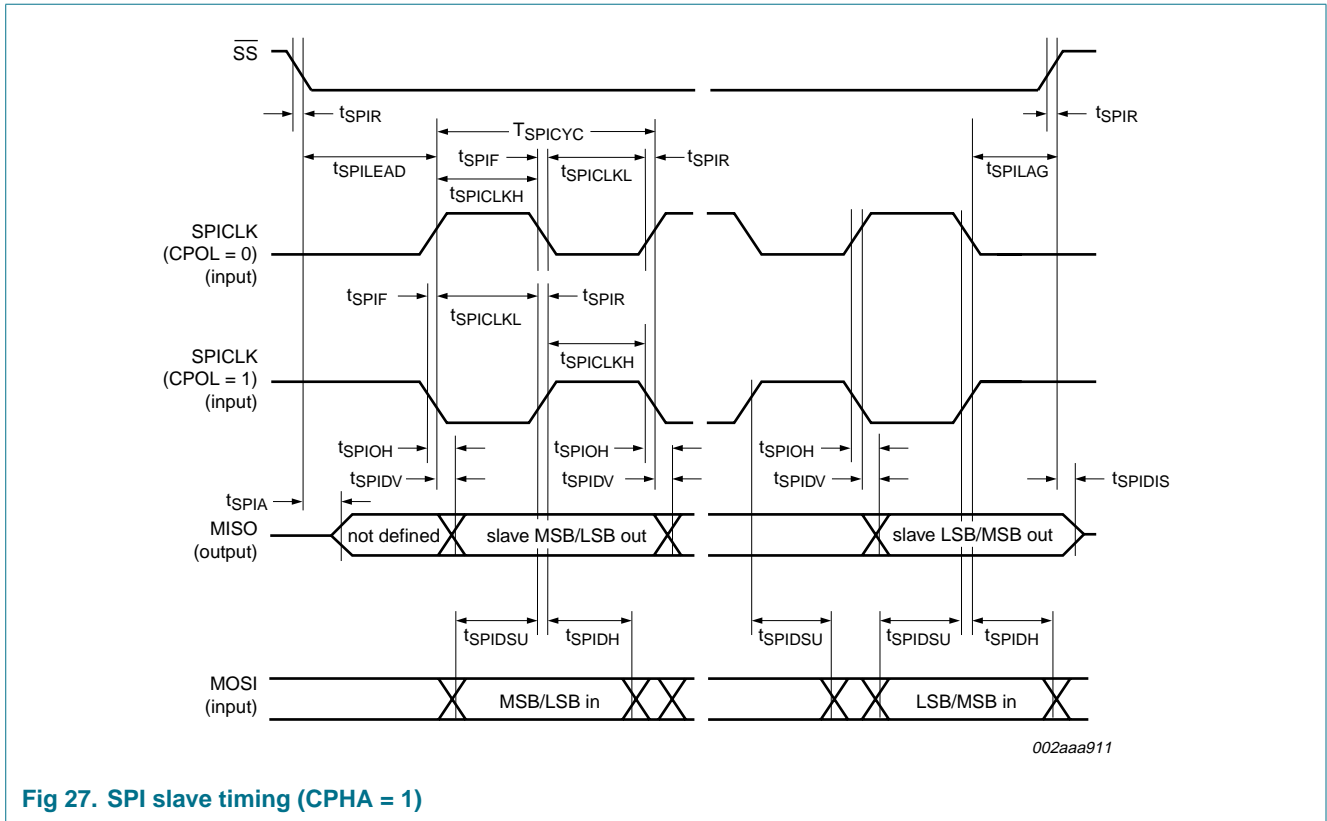


Fig 27. SPI slave timing (CPHA = 1)

10.2 ISP entry mode

Table 11. Dynamic characteristics, ISP entry mode

$V_{DD} = 2.4\text{ V to }3.6\text{ V}$, unless otherwise specified.

$T_{amb} = -40\text{ }^{\circ}\text{C to }+85\text{ }^{\circ}\text{C}$ for industrial applications, unless otherwise specified.

Symbol	Parameter	Conditions	Min	Typ	Max	Unit
t_{VR}	V_{DD} active to $\overline{\text{RST}}$ active delay time		50	-	-	μs
t_{RH}	$\overline{\text{RST}}$ HIGH time		1	-	32	μs
t_{RL}	$\overline{\text{RST}}$ LOW time		1	-	-	μs

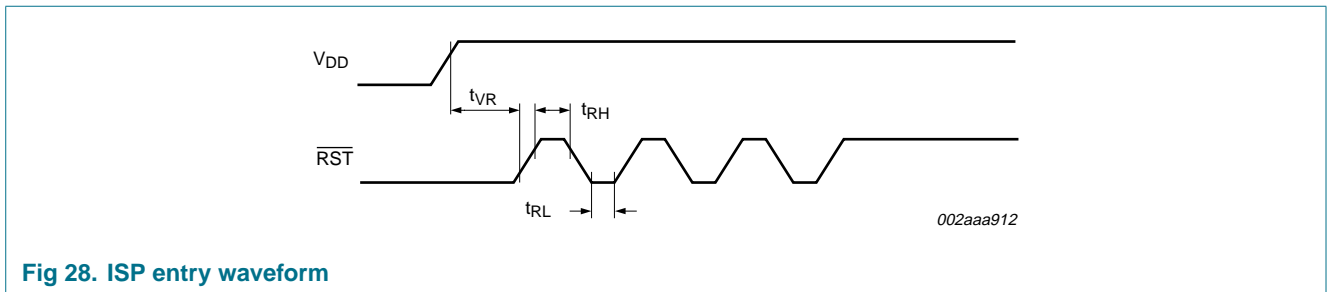


Fig 28. ISP entry waveform

11. Other characteristics

11.1 Comparator electrical characteristics

Table 12. Comparator electrical characteristics

$V_{DD} = 2.4\text{ V to }3.6\text{ V}$, unless otherwise specified.

$T_{amb} = -40\text{ °C to }+85\text{ °C}$ for industrial applications, unless otherwise specified.

Symbol	Parameter	Conditions	Min	Typ	Max	Unit
V_{IO}	input offset voltage		-	-	± 10	mV
V_{IC}	common-mode input voltage		0	-	$V_{DD} - 0.3$	V
CMRR	common-mode rejection ratio		[1]	-	-50	dB
$t_{res(tot)}$	total response time		-	250	500	ns
$t_{(CE-OV)}$	chip enable to output valid time		-	-	10	μs
I_{LI}	input leakage current	$0\text{ V} < V_I < V_{DD}$	-	-	± 10	μA

[1] This parameter is characterized, but not tested in production.

12. Package outline

PLCC28: plastic leaded chip carrier; 28 leads

SOT261-2

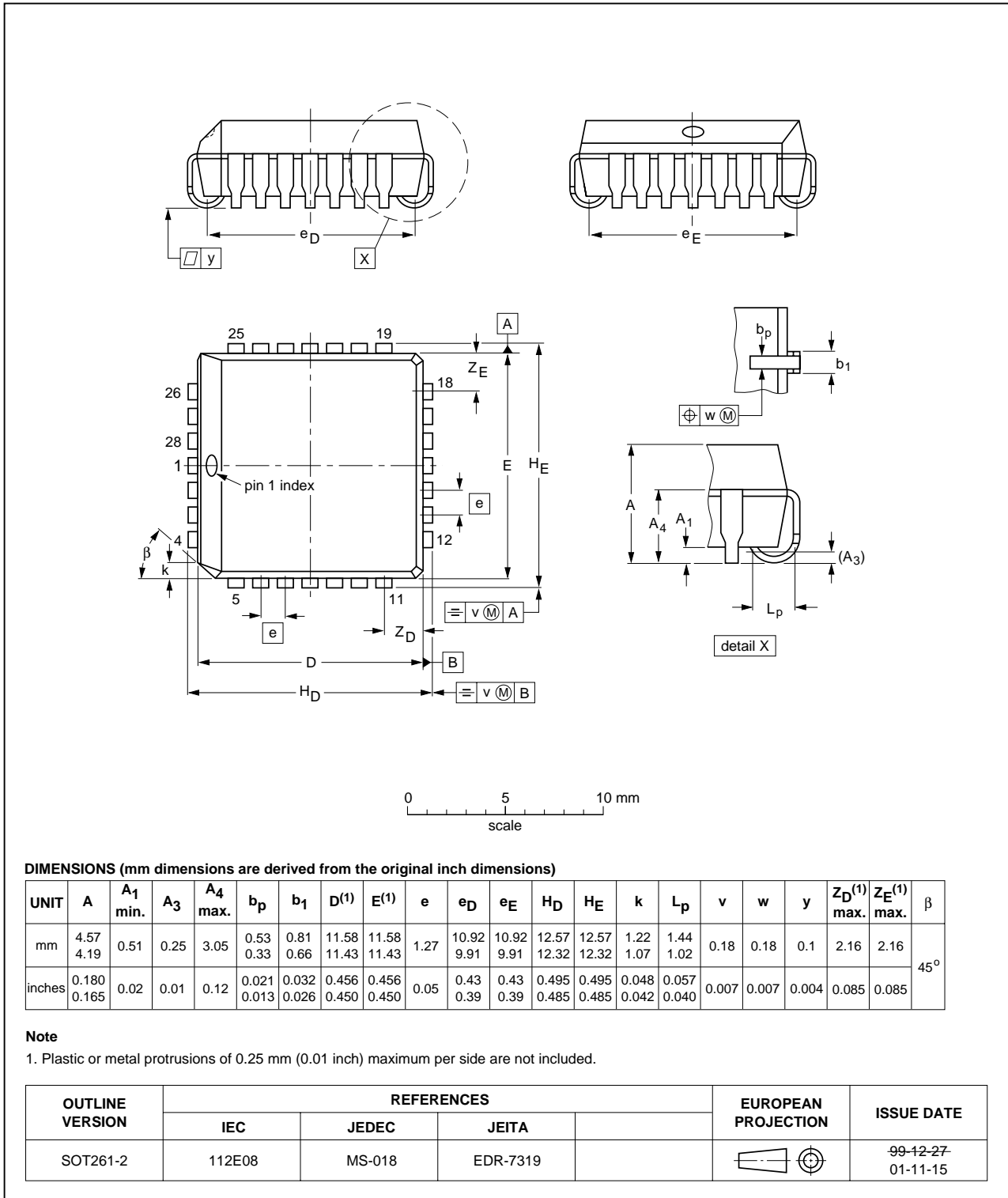


Fig 29. Package outline SOT261-2 (PLCC28)

TSSOP28: plastic thin shrink small outline package; 28 leads; body width 4.4 mm

SOT361-1

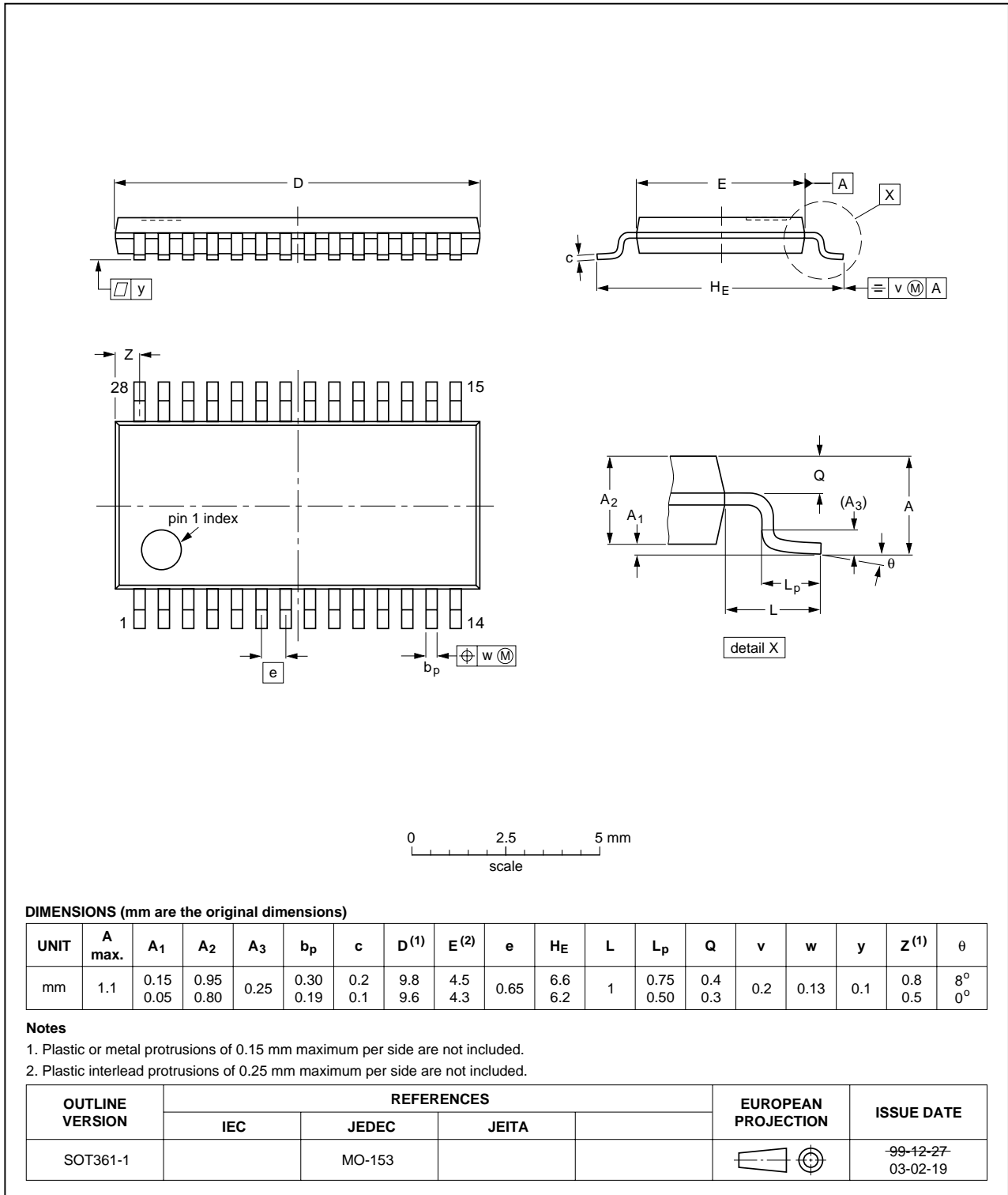


Fig 30. Package outline SOT361-1 (TSSOP28)

HVQFN28: plastic thermal enhanced very thin quad flat package; no leads; 28 terminals; body 6 x 6 x 0.85 mm

SOT788-1

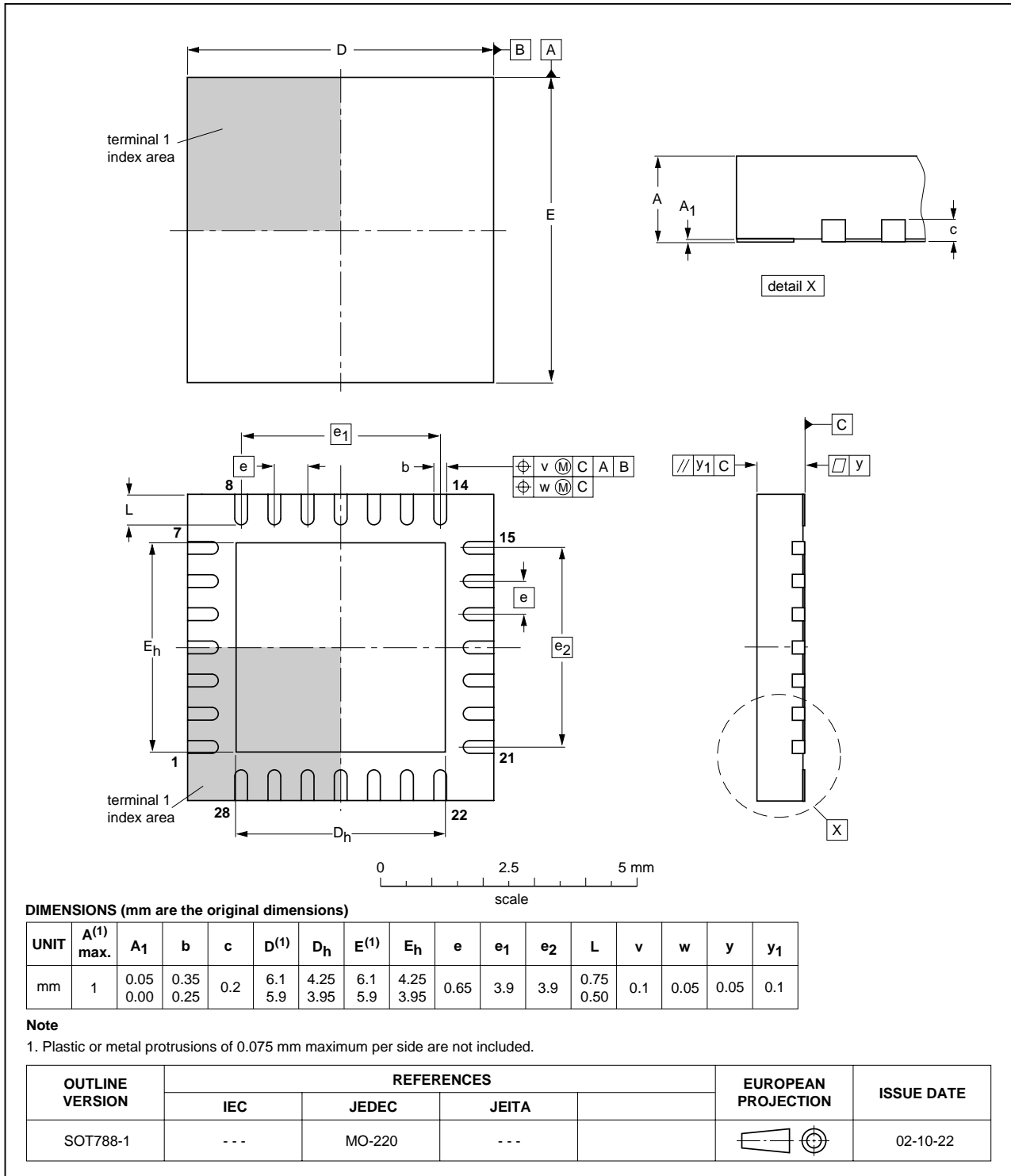


Fig 31. Package outline SOT788-1 (HVQFN28)

DIP28: plastic dual in-line package; 28 leads (600 mil)

SOT117-1

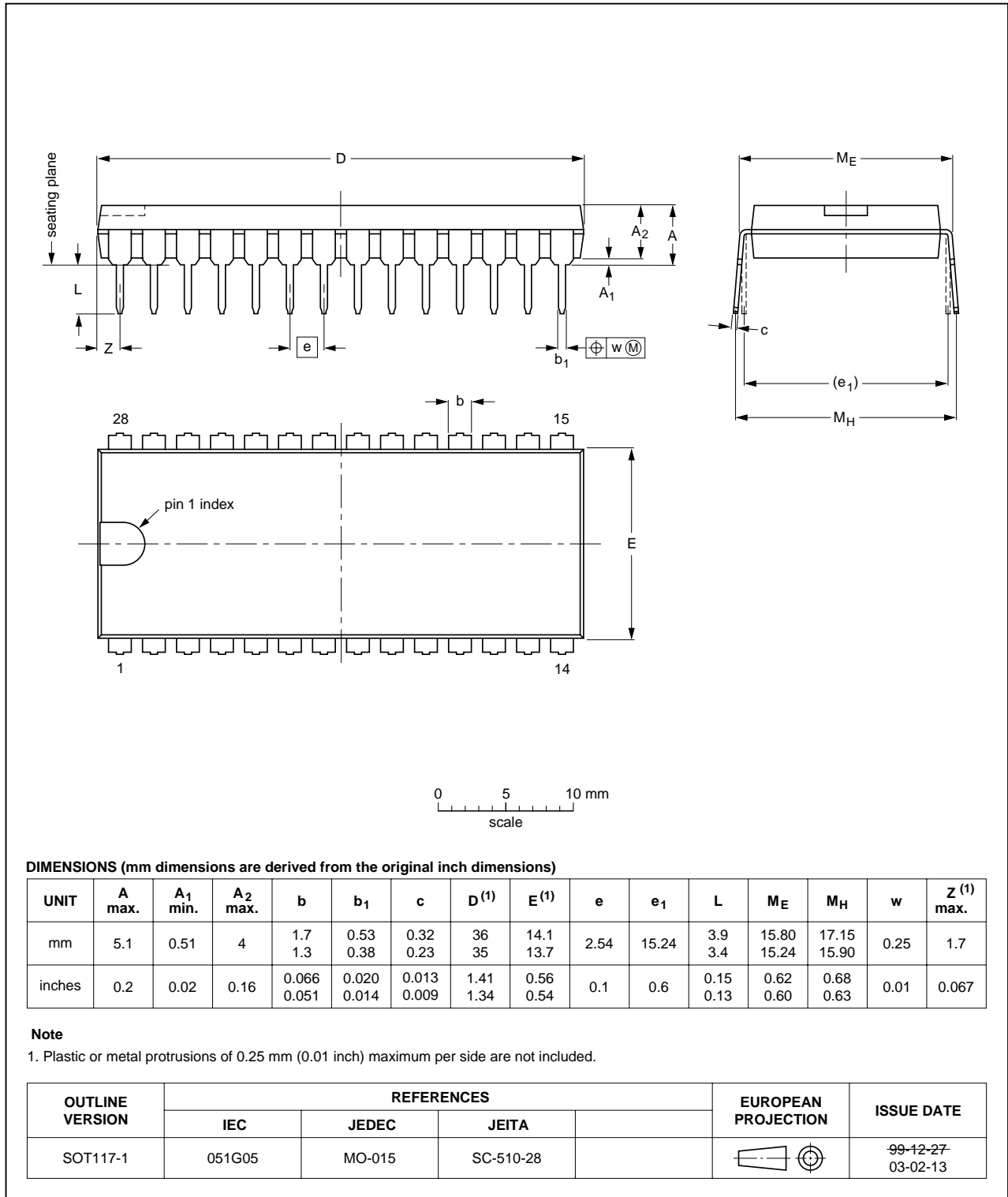


Fig 32. Package outline SOT117-1 (DIP28)

13. Abbreviations

Table 13. Acronym list

Acronym	Description
CCU	Capture/Compare Unit
CPU	Central Processing Unit
CRC	Cyclic Redundancy Check
EPROM	Erasable Programmable Read-Only Memory
EEPROM	Electrically Erasable Programmable Read-Only Memory
EMI	ElectroMagnetic Interference
LED	Light Emitting Diode
PLL	Phase-Locked Loop
PWM	Pulse Width Modulator
RAM	Random Access Memory
RC	Resistance-Capacitance
RTC	Real-Time Clock
SFR	Special Function Register
SPI	Serial Peripheral Interface
UART	Universal Asynchronous Receiver/Transmitter

14. Revision history

Table 14. Revision history

Document ID	Release date	Data sheet status	Change notice	Supersedes
P89LPC932A1_3	20070312	Product data sheet	-	P89LPC932A1_2
Modifications:		<ul style="list-style-type: none">• The format of this data sheet has been redesigned to comply with the new identity guidelines of NXP Semiconductors.• Legal texts have been adapted to the new company name where appropriate.• Added new part type P89LPC932A1FN.		
P89LPC932A1_2	20050510	Product data sheet	-	P89LPC932A1_1
P89LPC932A1_1	20040720	Product data sheet	-	-

15. Legal information

15.1 Data sheet status

Document status ^{[1][2]}	Product status ^[3]	Definition
Objective [short] data sheet	Development	This document contains data from the objective specification for product development.
Preliminary [short] data sheet	Qualification	This document contains data from the preliminary specification.
Product [short] data sheet	Production	This document contains the product specification.

[1] Please consult the most recently issued document before initiating or completing a design.

[2] The term 'short data sheet' is explained in section "Definitions".

[3] The product status of device(s) described in this document may have changed since this document was published and may differ in case of multiple devices. The latest product status information is available on the Internet at URL <http://www.nxp.com>.

15.2 Definitions

Draft — The document is a draft version only. The content is still under internal review and subject to formal approval, which may result in modifications or additions. NXP Semiconductors does not give any representations or warranties as to the accuracy or completeness of information included herein and shall have no liability for the consequences of use of such information.

Short data sheet — A short data sheet is an extract from a full data sheet with the same product type number(s) and title. A short data sheet is intended for quick reference only and should not be relied upon to contain detailed and full information. For detailed and full information see the relevant full data sheet, which is available on request via the local NXP Semiconductors sales office. In case of any inconsistency or conflict with the short data sheet, the full data sheet shall prevail.

15.3 Disclaimers

General — Information in this document is believed to be accurate and reliable. However, NXP Semiconductors does not give any representations or warranties, expressed or implied, as to the accuracy or completeness of such information and shall have no liability for the consequences of use of such information.

Right to make changes — NXP Semiconductors reserves the right to make changes to information published in this document, including without limitation specifications and product descriptions, at any time and without notice. This document supersedes and replaces all information supplied prior to the publication hereof.

Suitability for use — NXP Semiconductors products are not designed, authorized or warranted to be suitable for use in medical, military, aircraft, space or life support equipment, nor in applications where failure or malfunction of a NXP Semiconductors product can reasonably be expected to

result in personal injury, death or severe property or environmental damage. NXP Semiconductors accepts no liability for inclusion and/or use of NXP Semiconductors products in such equipment or applications and therefore such inclusion and/or use is at the customer's own risk.

Applications — Applications that are described herein for any of these products are for illustrative purposes only. NXP Semiconductors makes no representation or warranty that such applications will be suitable for the specified use without further testing or modification.

Limiting values — Stress above one or more limiting values (as defined in the Absolute Maximum Ratings System of IEC 60134) may cause permanent damage to the device. Limiting values are stress ratings only and operation of the device at these or any other conditions above those given in the Characteristics sections of this document is not implied. Exposure to limiting values for extended periods may affect device reliability.

Terms and conditions of sale — NXP Semiconductors products are sold subject to the general terms and conditions of commercial sale, as published at <http://www.nxp.com/profile/terms>, including those pertaining to warranty, intellectual property rights infringement and limitation of liability, unless explicitly otherwise agreed to in writing by NXP Semiconductors. In case of any inconsistency or conflict between information in this document and such terms and conditions, the latter will prevail.

No offer to sell or license — Nothing in this document may be interpreted or construed as an offer to sell products that is open for acceptance or the grant, conveyance or implication of any license under any copyrights, patents or other industrial or intellectual property rights.

15.4 Trademarks

Notice: All referenced brands, product names, service names and trademarks are the property of their respective owners.

I²C-bus — logo is a trademark of NXP B.V.

16. Contact information

For additional information, please visit: <http://www.nxp.com>

For sales office addresses, send an email to: salesaddresses@nxp.com

17. Contents

1	General description	1	7.16.1	Reset vector	25
2	Features	1	7.17	Timers/counters 0 and 1	25
2.1	Principal features	1	7.17.1	Mode 0	25
2.2	Additional features	1	7.17.2	Mode 1	26
2.3	Comparison to the P89LPC932	2	7.17.3	Mode 2	26
3	Ordering information	3	7.17.4	Mode 3	26
4	Block diagram	4	7.17.5	Mode 6	26
5	Functional diagram	5	7.17.6	Timer overflow toggle output	26
6	Pinning information	5	7.18	RTC/system timer	26
6.1	Pinning	5	7.19	CCU	27
6.2	Pin description	7	7.19.1	CCU clock	27
7	Functional description	11	7.19.2	CCUCLK prescaling	27
7.1	Special function registers	11	7.19.3	Basic timer operation	27
7.2	Enhanced CPU	17	7.19.4	Output compare	27
7.3	Clocks	17	7.19.5	Input capture	27
7.3.1	Clock definitions	17	7.19.6	PWM operation	28
7.3.2	CPU clock (OSCCLK)	17	7.19.7	Alternating output mode	29
7.3.3	Low speed oscillator option	17	7.19.8	PLL operation	29
7.3.4	Medium speed oscillator option	17	7.19.9	CCU interrupts	30
7.3.5	High speed oscillator option	17	7.20	UART	30
7.3.6	Clock output	17	7.20.1	Mode 0	30
7.4	On-chip RC oscillator option	18	7.20.2	Mode 1	30
7.5	Watchdog oscillator option	18	7.20.3	Mode 2	31
7.6	External clock input option	18	7.20.4	Mode 3	31
7.7	CCLK wake-up delay	19	7.20.5	Baud rate generator and selection	31
7.8	CCLK modification: DIVM register	19	7.20.6	Framing error	31
7.9	Low power select	19	7.20.7	Break detect	31
7.10	Memory organization	19	7.20.8	Double buffering	32
7.11	Data RAM arrangement	20	7.20.9	Transmit interrupts with double buffering	
7.12	Interrupts	20	7.20.10	enabled (modes 1, 2 and 3)	32
7.12.1	External interrupt inputs	20	7.21	The 9 th bit (bit 8) in double buffering	
7.13	I/O ports	21	7.22	(modes 1, 2 and 3)	32
7.13.1	Port configurations	22	7.22.1	I ² C-bus serial interface	33
7.13.1.1	Quasi-bidirectional output configuration	22	7.23	Serial Peripheral Interface (SPI)	35
7.13.1.2	Open-drain output configuration	22	7.23.1	Typical SPI configurations	36
7.13.1.3	Input-only configuration	22	7.23.2	Analog comparators	38
7.13.1.4	Push-pull output configuration	23	7.23.3	Internal reference voltage	38
7.13.2	Port 0 analog functions	23	7.24	Comparator interrupt	38
7.13.3	Additional port features	23	7.25	Comparators and power reduction modes	39
7.14	Power monitoring functions	23	7.26	Keypad interrupt	39
7.14.1	Brownout detection	23	7.26.1	Watchdog timer	40
7.14.2	Power-on detection	24	7.27	Additional features	40
7.15	Power reduction modes	24	7.27.1	Software reset	40
7.15.1	Idle mode	24	7.27.2	Dual data pointers	40
7.15.2	Power-down mode	24	7.28	Data EEPROM	41
7.15.3	Total Power-down mode	24	7.28.1	Flash program memory	41
7.16	Reset	24	7.28.2	General description	41
				Features	41

continued >>

7.28.3	Flash organization	42
7.28.4	Using flash as data storage	42
7.28.5	Flash programming and erasing	42
7.28.6	In-circuit programming	42
7.28.7	In-application programming	42
7.28.8	In-system programming	43
7.28.9	Power-on reset code execution.	43
7.28.10	Hardware activation of the boot loader.	43
7.29	User configuration bytes	44
7.30	User sector security bytes	44
8	Limiting values.	45
9	Static characteristics.	46
10	Dynamic characteristics	48
10.1	Waveforms	52
10.2	ISP entry mode.	54
11	Other characteristics.	55
11.1	Comparator electrical characteristics	55
12	Package outline	56
13	Abbreviations.	60
14	Revision history.	61
15	Legal information.	62
15.1	Data sheet status	62
15.2	Definitions	62
15.3	Disclaimers	62
15.4	Trademarks	62
16	Contact information.	62
17	Contents	63

Please be aware that important notices concerning this document and the product(s) described herein, have been included in section 'Legal information'.



© NXP B.V. 2007.



All rights reserved.

For more information, please visit: <http://www.nxp.com>
 For sales office addresses, please send an email to: salesaddresses@nxp.com

Date of release: 12 March 2007
 Document identifier: P89LPC932A1_3

Looking for pricing, stock, or lifecycle information?

Click below to explore more details on WIN SOURCE:

-  [View LPC932A1FA](#) on WIN SOURCE
-  [NXP / Nexperia](#) Information

Optimize Your Supply Chain with WIN SOURCE Solutions

-  Global Sourcing Solution
-  Obsolete Management
-  Cost Control Management
-  Shortage Management
-  Alternative Solution
-  Excess Inventory Management