



**THE DATASHEET OF
LMZ10504EXTTZE/NOPB**



LMZ10504EXT 4-A Power Module With 5.5-V Maximum Input Voltage for Demanding and Rugged Applications

1 Features

- Integrated Shielded Inductor
- Flexible Start-up Sequencing Using External Soft Start, Tracking, and Precision Enable
- Protection Against In-Rush Currents and Faults Such as Input UVLO and Output Short-Circuit
- Single Exposed Pad and Standard Pinout for Easy Mounting and Manufacturing
- Pin-to-Pin Compatible With
 - LMZ10503EXT (3-A/15-W Maximum)
 - LMZ10505EXT (5-A/25-W Maximum)
- Fast Transient Response for Powering FPGAs and ASICs
- Electrical Specifications
 - 20-W Maximum Total Output Power
 - Up to 4-A Output Current
 - Input Voltage Range 2.95 V to 5.5 V
 - Output Voltage Range 0.8 V to 5 V
 - $\pm 1.63\%$ Feedback Voltage Accuracy Over Temperature
- Performance Benefits
 - Operates at High Ambient Temperatures
 - Low Radiated Emissions (EMI) Tested to EN55022 Class B Standard
 - Passes 10-V/m Radiated Immunity EMI Tested to Standard EN61000 4-3
 - Passes Vibration Standard
 - MIL-STD-883 Method 2007.2 Condition A
 - JESD22-B103B Condition 1
 - Passes Drop Standard
 - MIL-STD-883 Method 2002.3 Condition B
 - JESD22-B110 Condition B
- Create a Custom Design Using the LMZ10504 With the [WEBENCH® Power Designer](#)

2 Applications

- Point-of-Load Conversions from 3.3-V and 5-V Rails
- Space-Constrained Applications
- Noise Sensitive Applications (Such as Transceiver, Medical)

3 Description

The LMZ10504EXT power module is a complete, easy-to-use, DC-DC solution capable of driving up to a 4-A load with exceptional power conversion efficiency, output voltage accuracy, line and load regulation. The LMZ10504EXT is available in an innovative package that enhances thermal performance and allows for hand or machine soldering.

The LMZ10504EXT can accept an input voltage rail between 2.95 V and 5.5 V, and deliver an adjustable and highly accurate output voltage as low as 0.8 V. 1-MHz fixed-frequency PWM switching provides a predictable EMI characteristic. Two external compensation components can be adjusted to set the fastest response time, while allowing the option to use ceramic or electrolytic output capacitors. Externally programmable soft-start capacitor facilitates controlled start-up. The LMZ10504EXT is a reliable and robust solution with the following features: lossless cycle-by-cycle peak current limit to protect for overcurrent or short-circuit fault, thermal shutdown, input undervoltage lockout, and prebiased start-up. The LMZ10504EXT is also fully-enabled for WEBENCH® and Power Designer tools.

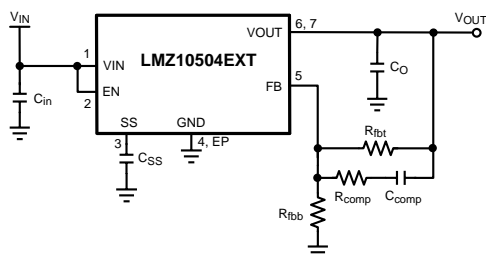
Device Information⁽¹⁾⁽²⁾

PART NUMBER	PACKAGE	BODY SIZE (NOM)
LMZ10504EXT	TO-PMOD (7)	9.85 mm × 10.16 mm

(1) For all available packages, see the orderable addendum at the end of the data sheet.

(2) Peak reflow temperature equals 245°C. See [Design Summary LMZ1xxx and LMZ2xxx Power Module Family](#) for more details.

Typical Application Circuit



Efficiency $V_{OUT} = 3.3 V$

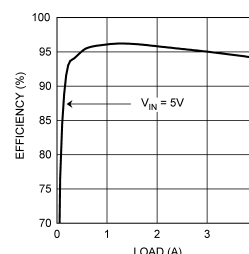


Table of Contents

1 Features	1	8.2 Typical Application	14
2 Applications	1	8.3 System Examples	20
3 Description	1	9 Power Supply Recommendations	23
4 Revision History	2	10 Layout	23
5 Pin Configuration and Functions	3	10.1 Layout Guidelines	23
6 Specifications	4	10.2 Layout Examples	24
6.1 Absolute Maximum Ratings	4	10.3 Estimate Power Dissipation and Thermal Considerations	27
6.2 ESD Ratings	4	10.4 Power Module SMT Guidelines	28
6.3 Recommended Operating Conditions	4	11 Device and Documentation Support	29
6.4 Thermal Information	4	11.1 Device Support	29
6.5 Electrical Characteristics	5	11.2 Documentation Support	29
6.6 Typical Characteristics	7	11.3 Receiving Notification of Documentation Updates	29
7 Detailed Description	10	11.4 Community Resources	29
7.1 Overview	10	11.5 Trademarks	31
7.2 Functional Block Diagram	10	11.6 Electrostatic Discharge Caution	31
7.3 Feature Description	10	11.7 Glossary	31
7.4 Device Functional Modes	13	12 Mechanical, Packaging, and Orderable Information	31
8 Application and Implementation	14		
8.1 Application Information	14		

4 Revision History

NOTE: Page numbers for previous revisions may differ from page numbers in the current version.

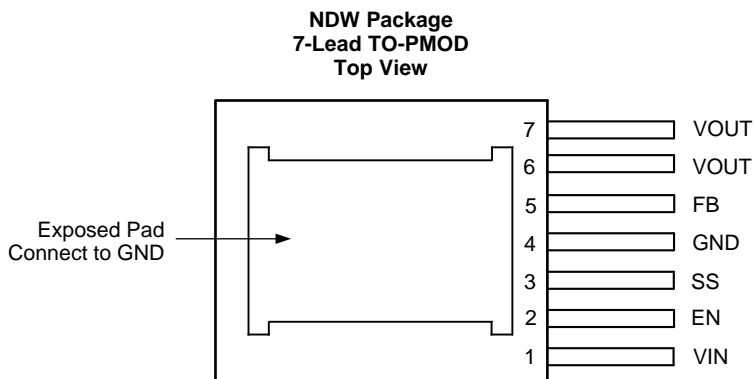
Changes from Revision I (June 2017) to Revision J	Page
• Editorial changes only; no technical changes	1

Changes from Revision H (September 2015) to Revision I	Page
• Changed language of WEBENCH list item; added additional content and links for WEBENCH further in data sheet	1
• Updated Equation 1	10
• Moved the Low Radiated Emissions (EMI) footnote to the <i>Application Information</i> section	14

Changes from Revision G (October 2013) to Revision H	Page
• Added <i>ESD Ratings</i> table, <i>Feature Description</i> section, <i>Device Functional Modes</i> , <i>Application and Implementation</i> section, <i>Power Supply Recommendations</i> section, <i>Layout</i> section, <i>Device and Documentation Support</i> section, and <i>Mechanical, Packaging, and Orderable Information</i> section.	1

Changes from Revision F (April 2013) to Revision G	Page
• Deleted 10 mils	4
• Changed 10 mils	23
• Changed 10 mils	27
• Added <i>Power Module SMT Guidelines</i>	28

5 Pin Configuration and Functions



Pin Functions

PIN		TYPE	DESCRIPTION
NAME	NO.		
EN	2	Analog	Active-high enable input for the device.
Exposed Pad	—	Ground	Exposed pad thermal connection. Connect this pad to the PCB ground plane in order to reduce thermal resistance value. It also provides an electrical connection to the input and output capacitors ground terminals.
GND	4	Ground	Power ground and signal ground. Connect the bottom feedback resistor between this pin and the feedback pin.
FB	5	Analog	Feedback pin. This is the inverting input of the error amplifier used for sensing the output voltage.
SS	3	Analog	Soft-start control pin. An internal 2- μ A current source charges and external capacitor connected between this pin and GND (pin 4) to set the output voltage ramp rate during startup. This pin can also be used to configure the tracking feature.
VIN	1	Power	A low-ESR input capacitance should be located as close as possible to VIN pin and GND pin.
VOUT	6, 7	Power	This is the output of the internal inductor. Connect an external resistor voltage divider from VOUT to FB to ground.

6 Specifications

6.1 Absolute Maximum Ratings⁽¹⁾⁽²⁾

	MIN	MAX	UNIT
VIN, VOUT, EN, FB, SS to GND	-0.3	6	V
Power Dissipation	Internally Limited		
Junction Temperature		150	°C
Peak Reflow Case Temperature (30 sec)		245	°C
Storage Temperature, T _{stg}	-65	150	°C

- (1) Stresses beyond those listed under *Absolute Maximum Ratings* may cause permanent damage to the device. These are stress ratings only, which do not imply functional operation of the device at these or any other conditions beyond those indicated under *Recommended Operating Conditions*. Exposure to absolute-maximum-rated conditions for extended periods may affect device reliability.
- (2) For soldering specifications, refer to the [Absolute Maximum Ratings for Soldering](#) (SNOA549).

6.2 ESD Ratings

	VALUE	UNIT
V _(ESD) Electrostatic discharge Human body model (HBM) ⁽¹⁾	±2000	V

- (1) The human body model is a 100-pF capacitor discharged through a 1.5-kΩ resistor into each pin. Test method is per JESD22-A114S.

6.3 Recommended Operating Conditions

over operating free-air temperature range (unless otherwise noted)

	MIN	MAX	UNIT
VIN to GND	2.95	5.5	V
Junction Temperature (T _J)	-55	125	°C

6.4 Thermal Information

THERMAL METRIC ⁽¹⁾	LMZ10504EXT	UNIT
	NDW (TO-PMOD)	
	7 PINS	
R _{θJA} Junction-to-ambient thermal resistance ⁽²⁾	20	°C/W
R _{θJC(top)} Junction-to-case (top) thermal resistance (no air flow)	1.9	°C/W

- (1) For more information about traditional and new thermal metrics, see the [Semiconductor and IC Package Thermal Metrics](#) application report.
- (2) R_{θJA} measured on a 2.25-in × 2.25-in (5.8 cm × 5.8 cm) 4-layer board, with 1-oz. copper, thirty six thermal vias, no air flow, and 1-W power dissipation. Refer to or Evaluation Board Application Note: [AN-2074 LMZ1050xEXT Evaluation Board](#) (SNVA450).

6.5 Electrical Characteristics

Specifications are for $T_J = 25^\circ\text{C}$ unless otherwise specified. Minimum and maximum limits are ensured through test, design, or statistical correlation. Typical values represent the most likely parametric norm at $T_J = 25^\circ\text{C}$, and are provided for reference purposes only. $V_{IN} = V_{EN} = 3.3\text{ V}$, unless otherwise indicated in the conditions column.

PARAMETER		TEST CONDITIONS		MIN ⁽¹⁾	TYP ⁽²⁾	MAX ⁽¹⁾	UNIT
SYSTEM PARAMETERS							
V_{FB}	Total Feedback Voltage Variation Including Line and Load Regulation	$V_{IN} = 2.95\text{ V to }5.5\text{ V}$ $V_{OUT} = 2.5\text{ V}$ $I_{OUT} = 0\text{ A to }4\text{ A}$		0.8			V
			over the operating junction temperature range T_J of $-55^\circ\text{C to }125^\circ\text{C}$	0.78	0.82		
V_{FB}	Feedback Voltage Variation	$V_{IN} = 3.3\text{ V}, V_{OUT} = 2.5\text{ V}$ $I_{OUT} = 0\text{ A}$		0.8			V
			over the operating junction temperature range T_J of $-55^\circ\text{C to }125^\circ\text{C}$	0.787	0.812		
V_{FB}	Feedback Voltage Variation	$V_{IN} = 3.3\text{ V}, V_{OUT} = 2.5\text{ V}$ $I_{OUT} = 4\text{ A}$		0.798			V
			over the operating junction temperature range T_J of $-55^\circ\text{C to }125^\circ\text{C}$	0.785	0.81		
$V_{IN(UVLO)}$	Input UVLO Threshold (Measured at VIN pin)	Rising		2.6			V
			over the operating junction temperature range T_J of $-55^\circ\text{C to }125^\circ\text{C}$		2.95		
$V_{IN(UVLO)}$	Input UVLO Threshold (Measured at VIN pin)	Falling		2.4			V
			over the operating junction temperature range T_J of $-55^\circ\text{C to }125^\circ\text{C}$	1.95			
I_{SS}	Soft-Start Current	Charging Current		2			μA
I_Q	Non-Switching Input Current	$V_{FB} = 1\text{ V}$		1.7			mA
			over the operating junction temperature range T_J of $-55^\circ\text{C to }125^\circ\text{C}$		3		
I_{SD}	Shutdown Quiescent Current	$V_{IN} = 5.5\text{ V}, V_{EN} = 0\text{ V}$		260			μA
			over the operating junction temperature range T_J of $-55^\circ\text{C to }125^\circ\text{C}$		500		
I_{OCL}	Output Current Limit (Average Current)	$V_{OUT} = 2.5\text{ V}$		5.5			A
			over the operating junction temperature range T_J of $-55^\circ\text{C to }125^\circ\text{C}$	4.1	6.7		
f_{FB}	Frequency Fold-back	In current limit		250			kHz
PWM SECTION							
f_{SW}	Switching Frequency			1000			kHz
		over the operating junction temperature range T_J of $-55^\circ\text{C to }125^\circ\text{C}$	700	1160			
D_{range}	PWM Duty Cycle Range	over the operating junction temperature range T_J of $-55^\circ\text{C to }125^\circ\text{C}$		0%		100%	
ENABLE CONTROL							
V_{EN-IH}	EN Pin Rising Threshold			1.23			V
		over the operating junction temperature range T_J of $-55^\circ\text{C to }125^\circ\text{C}$		1.8			
V_{EN-IF}	EN Pin Falling Threshold			1.06			V
		over the operating junction temperature range T_J of $-55^\circ\text{C to }125^\circ\text{C}$	0.8				

(1) Minimum and maximum limits are 100% production tested at an ambient temperature (T_A) of 25°C . Limits over the operating temperature range are ensured through correlation using Statistical Quality Control (SQC) methods. Limits are used to calculate Average Outgoing Quality Level (AOQL).

(2) Typical numbers are at 25°C and represent the most likely parametric norm.

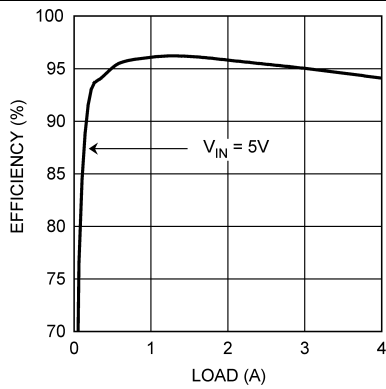
Electrical Characteristics (continued)

Specifications are for $T_J = 25^\circ\text{C}$ unless otherwise specified. Minimum and maximum limits are ensured through test, design, or statistical correlation. Typical values represent the most likely parametric norm at $T_J = 25^\circ\text{C}$, and are provided for reference purposes only. $V_{IN} = V_{EN} = 3.3\text{ V}$, unless otherwise indicated in the conditions column.

PARAMETER		TEST CONDITIONS	MIN ⁽¹⁾	TYP ⁽²⁾	MAX ⁽¹⁾	UNIT
THERMAL CONTROL						
T_{SD}	T_J for Thermal Shutdown			145		$^\circ\text{C}$
T_{SD-HYS}	Hysteresis for Thermal Shutdown			10		$^\circ\text{C}$
PERFORMANCE PARAMETERS						
ΔV_{OUT}	Output Voltage Ripple	Refer to Table 5 $V_{OUT} = 2.5\text{ V}$ Bandwidth Limit = 2 MHz		10		mV_{pk-pk}
		Refer to Table 7 Bandwidth Limit = 20 MHz		5		
$\Delta V_{FB} / V_{FB}$	Feedback Voltage Line Regulation	$\Delta V_{IN} = 2.95\text{ V to } 5.5\text{ V}$ $I_{OUT} = 0\text{ A}$		0.04%		
		$I_{OUT} = 0\text{ A to } 4\text{ A}$		0.25%		
$\Delta V_{OUT} / V_{OUT}$	Output Voltage Line Regulation	$\Delta V_{IN} = 2.95\text{ V to } 5.5\text{ V}$ $I_{OUT} = 0\text{ A, } V_{OUT} = 2.5\text{ V}$		0.04%		
		$I_{OUT} = 0\text{ A to } 4\text{ A}$ $V_{OUT} = 2.5\text{ V}$		0.25%		
EFFICIENCY						
η	Peak Efficiency (1A) $V_{IN} = 5\text{ V}$	$V_{OUT} = 3.3\text{ V}$		96.1%		
		$V_{OUT} = 2.5\text{ V}$		94.8%		
		$V_{OUT} = 1.8\text{ V}$		93.1%		
		$V_{OUT} = 1.5\text{ V}$		92%		
		$V_{OUT} = 1.2\text{ V}$		90.4%		
		$V_{OUT} = 0.8\text{ V}$		86.8%		
η	Peak Efficiency (1A) $V_{IN} = 3.3\text{ V}$	$V_{OUT} = 2.5\text{ V}$		95.7%		
		$V_{OUT} = 1.8\text{ V}$		94.1%		
		$V_{OUT} = 1.5\text{ V}$		93%		
		$V_{OUT} = 1.2\text{ V}$		91.6%		
		$V_{OUT} = 0.8\text{ V}$		88.3%		
η	Full Load Efficiency (4A) $V_{IN} = 5\text{ V}$	$V_{OUT} = 3.3\text{ V}$		94.1%		
		$V_{OUT} = 2.5\text{ V}$		92.4%		
		$V_{OUT} = 1.8\text{ V}$		90%		
		$V_{OUT} = 1.5\text{ V}$		88.3%		
		$V_{OUT} = 1.2\text{ V}$		86.1%		
		$V_{OUT} = 0.8\text{ V}$		80.8%		
η	Full Load Efficiency (4A) $V_{IN} = 3.3\text{ V}$	$V_{OUT} = 2.5\text{ V}$		91.4%		
		$V_{OUT} = 1.8\text{ V}$		90%		
		$V_{OUT} = 1.5\text{ V}$		87.2%		
		$V_{OUT} = 1.2\text{ V}$		84.9%		
		$V_{OUT} = 0.8\text{ V}$		79.3%		

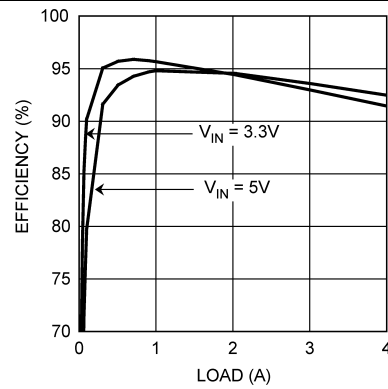
6.6 Typical Characteristics

Unless otherwise specified, the following conditions apply: $V_{IN} = V_{EN} = 5\text{ V}$, C_{IN} is 47- μF 10-V X5R ceramic capacitor; $T_{AMBIENT} = 25^\circ\text{C}$ for efficiency curves and waveforms.



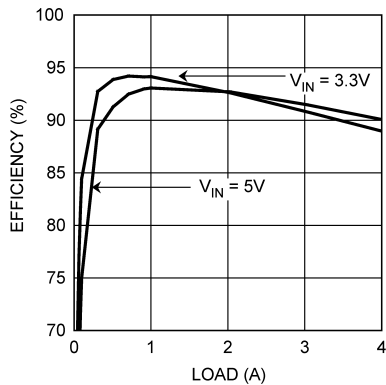
$V_{OUT} = 3.3\text{ V}$

Figure 1. Efficiency



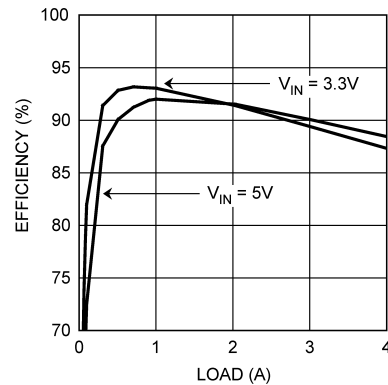
$V_{OUT} = 2.5\text{ V}$

Figure 2. Efficiency



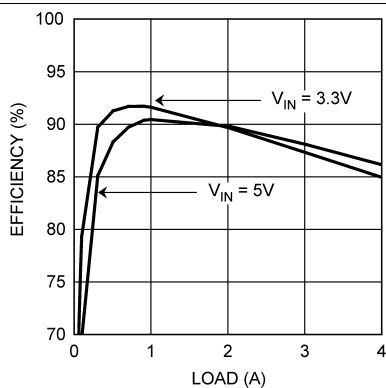
$V_{OUT} = 1.8\text{ V}$

Figure 3. Efficiency



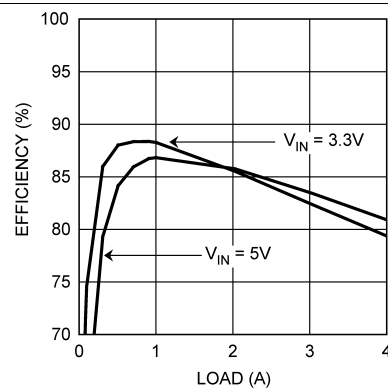
$V_{OUT} = 1.5\text{ V}$

Figure 4. Efficiency



$V_{OUT} = 1.2\text{ V}$

Figure 5. Efficiency

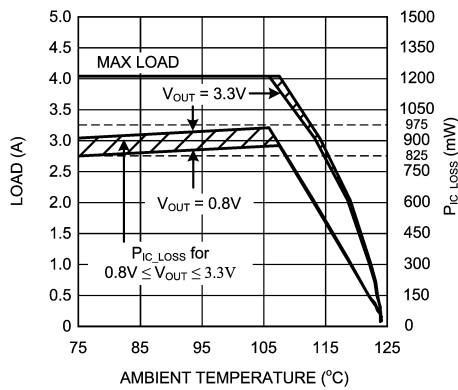


$V_{OUT} = 0.8\text{ V}$

Figure 6. Efficiency

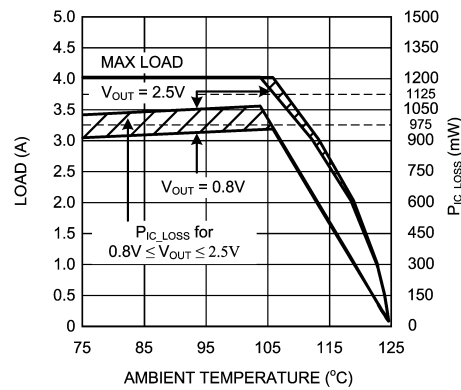
Typical Characteristics (continued)

Unless otherwise specified, the following conditions apply: $V_{IN} = V_{EN} = 5\text{ V}$, C_{IN} is 47- μF 10-V X5R ceramic capacitor; $T_{AMBIENT} = 25^\circ\text{C}$ for efficiency curves and waveforms.



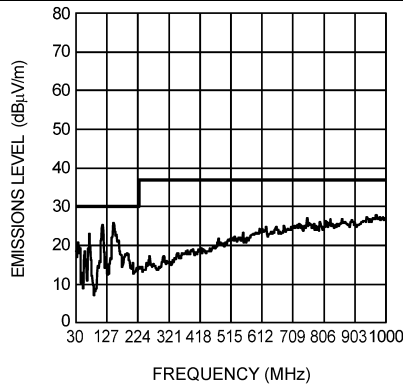
$V_{IN} = 5\text{ V}$, $R_{\theta JA} = 20^\circ\text{C/W}$

Figure 7. Current Derating



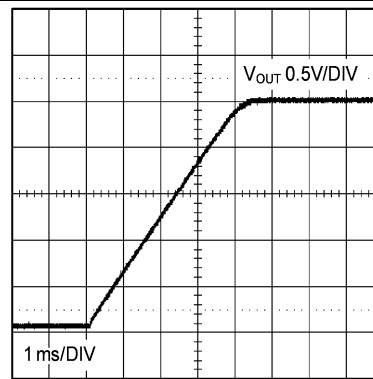
$V_{IN} = 3.3\text{ V}$, $R_{\theta JA} = 20^\circ\text{C/W}$

Figure 8. Current Derating



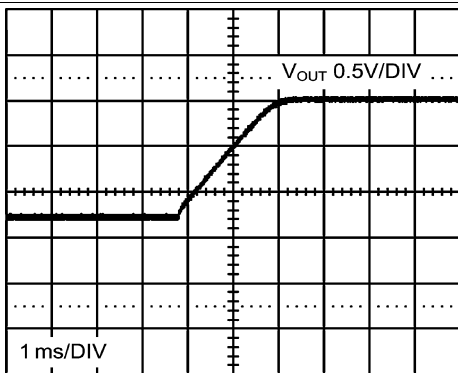
$V_{IN} = 5\text{ V}$, $V_{OUT} = 2.5\text{ V}$, $I_{OUT} = 4\text{ A}$
Evaluation Board

Figure 9. Radiated Emissions (EN 55022, Class B)



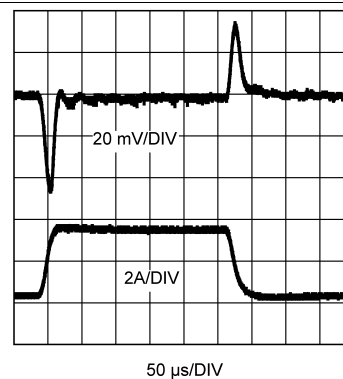
$V_{OUT} = 2.5\text{ V}$, $I_{OUT} = 0\text{ A}$

Figure 10. Start-Up



$V_{OUT} = 2.5\text{ V}$, $I_{OUT} = 0\text{ A}$

Figure 11. Prebiased Start-Up

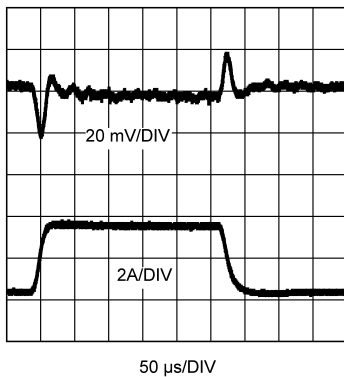


$V_{IN} = 3.3\text{ V}$, $V_{OUT} = 2.5\text{ V}$, $I_{OUT} = 0.4\text{-A to } 3.6\text{-A to } 0.4\text{-A Step}$
20 mV/DIV, 20-MHz Bandwidth Limited
Refer to Table 5 for BOM, includes optional components

Figure 12. Load Transient Response

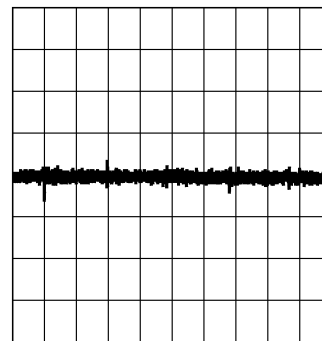
Typical Characteristics (continued)

Unless otherwise specified, the following conditions apply: $V_{IN} = V_{EN} = 5\text{ V}$, C_{IN} is 47- μF 10-V X5R ceramic capacitor; $T_{AMBIENT} = 25^\circ\text{C}$ for efficiency curves and waveforms.



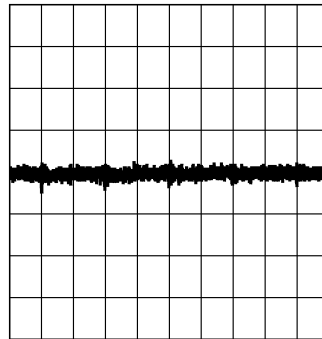
50 $\mu\text{s}/\text{DIV}$
 $V_{IN} = 5.0\text{ V}$, $V_{OUT} = 2.5\text{ V}$, $I_{OUT} = 0.4\text{-A}$ to 3.6-A to 0.4-A Step
 20 mV/DIV, 20-MHz Bandwidth Limited
 Refer to [Table 5](#) for BOM, includes optional components

Figure 13. Load Transient Response



500 ns/DIV
 $V_{IN} = 3.3\text{ V}$, $V_{OUT} = 2.5\text{ V}$, $I_{OUT} = 4\text{ A}$, 20 mV/DIV
 Refer to [Table 5](#) for BOM

Figure 14. Output Voltage Ripple



500 ns/DIV
 $V_{IN} = 5.0\text{ V}$, $V_{OUT} = 2.5\text{ V}$, $I_{OUT} = 4\text{ A}$,
 20 mV/DIV. Refer to [Table 5](#) for BOM

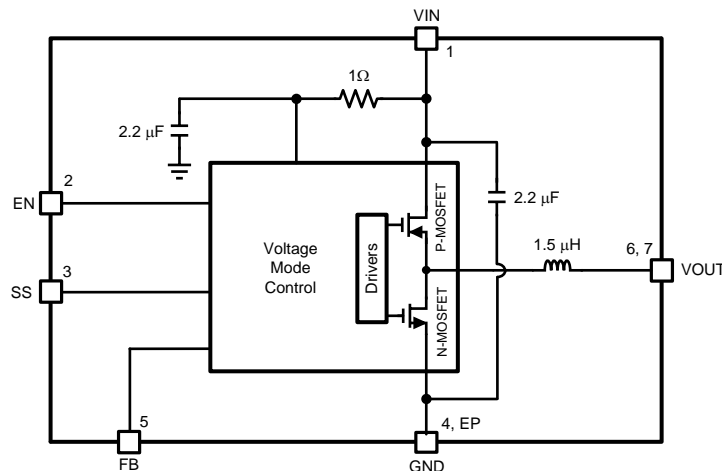
Figure 15. Output Voltage Ripple

7 Detailed Description

7.1 Overview

The LMZ10504EXT power module is a complete, easy-to-use DC-DC solution capable of driving up to a 4-A load with exceptional power conversion efficiency, output voltage accuracy, line and load regulation. The LMZ10504EXT is available in an innovative package that enhances thermal performance and allows for hand or machine soldering. The LMZ10504EXT is a reliable and robust solution with the following features: lossless cycle-by-cycle peak current limit to protect for overcurrent or short-circuit fault, thermal shutdown, input undervoltage lockout, and prebiased start-up.

7.2 Functional Block Diagram



7.3 Feature Description

7.3.1 Enable

The LMZ10504EXT features an enable (EN) pin and associated comparator to allow the user to easily sequence the LMZ10504EXT from an external voltage rail, or to manually set the input UVLO threshold. The turnon or rising threshold and hysteresis for this comparator are typically 1.23 V and 0.15 V, respectively. The precise reference for the enable comparator allows the user to ensure that the LMZ10504EXT will be disabled when the system demands it to be.

The EN pin should not be left floating. For always-on operation, connect EN to VIN.

7.3.2 Enable and UVLO

Using a resistor divider from VIN to EN as shown in the schematic diagram below, the input voltage at which the part begins switching can be increased above the normal input UVLO level according to:

$$V_{IN(UVLO)} = 1.23 \text{ V} \times \frac{R_{ent} + R_{enb}}{R_{enb}} \quad (1)$$

For example, suppose that the required input UVLO level is 3.69 V. Choosing $R_{enb} = 10 \text{ k}\Omega$, then we calculate $R_{ent} = 20 \text{ k}\Omega$.

Feature Description (continued)

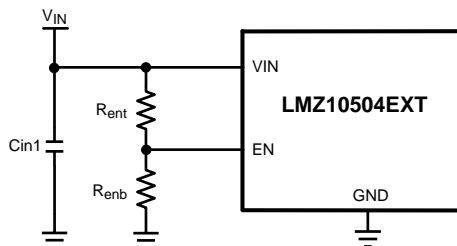


Figure 16. Setting Enable and UVLO

Alternatively, the EN pin can be driven from another voltage source to cater to system sequencing requirements commonly found in FPGA and other multi-rail applications. Figure 17 shows an LMZ10504EXT that is sequenced to start based on the voltage level of a master system rail (V_{OUT1}).

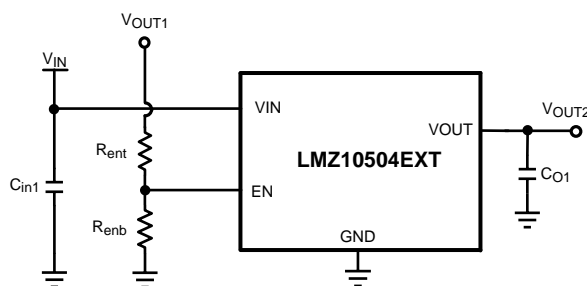


Figure 17. Setting Enable and UVLO Using External Power Supply

7.3.3 Soft-Start

The LMZ10504EXT begins to operate when both the VIN and EN, voltages exceed the rising UVLO and enable thresholds, respectively. A controlled soft-start eliminates inrush currents during start-up and allows the user more control and flexibility when sequencing the LMZ10504EXT with other power supplies.

In the event of either VIN or EN decreasing below the falling UVLO or enable threshold respectively, the voltage on the soft-start pin is collapsed by discharging the soft-start capacitor by a 14- μ A (typical) current sink to ground.

7.3.4 Soft-Start Capacitor

Determine the soft-start capacitance with the following relationship:

$$C_{SS} = \frac{t_{SS} \times I_{SS}}{V_{FB}}$$

where

- V_{FB} is the internal reference voltage (nominally 0.8 V),
- I_{SS} is the soft-start charging current (nominally 2 μ A)
- and C_{SS} is the external soft-start capacitance.

(2)

Thus, the required soft-start capacitor per unit output voltage start-up time is given by:

$$C_{SS} = 2.5 \text{ nF / ms} \quad (3)$$

For example, a 4-ms soft-start time will yield a 10-nF capacitance. The minimum soft-start capacitance is 680 pF.

Feature Description (continued)

7.3.5 Tracking

The LMZ10504EXT can track the output of a master power supply during soft-start by connecting a resistor divider to the SS pin. In this way, the output voltage slew rate of the LMZ10504EXT will be controlled by a master supply for loads that require precise sequencing. When the tracking function is used, a small value soft-start capacitor should be connected to the SS pin to alleviate output voltage overshoot when recovering from a current limit fault.

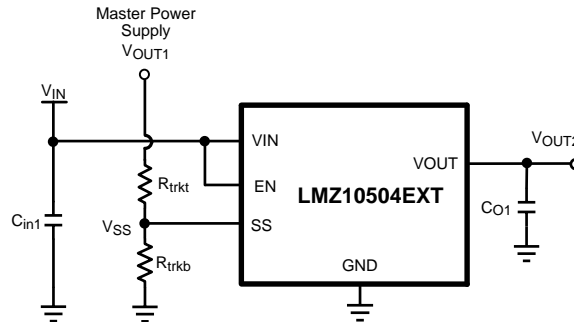


Figure 18. Tracking Using External Power Supply

7.3.6 Tracking - Equal Soft-Start Time

One way to use the tracking feature is to design the tracking resistor divider so that the master supply output voltage, V_{OUT1} , and the LMZ10504EXT output voltage, V_{OUT2} , both rise together and reach their target values at the same time. This is termed ratiometric start-up. For this case, the equation governing the values of tracking divider resistors R_{trkb} and R_{trkt} is given by:

$$R_{trkb} = \frac{R_{trkt}}{V_{OUT1} - 1.0V} \quad (4)$$

Equation 4 includes an offset voltage, of 200 mV, to ensure that the final value of the SS pin voltage exceeds the reference voltage of the LMZ10504EXT. This offset will cause the LMZ10504EXT output voltage to reach regulation slightly before the master supply. For a value of 33 k Ω , 1% is recommended for R_{trkt} as a compromise between high-precision and low-quiescent current through the divider while minimizing the effect of the 2- μ A soft-start current source.

For example, if the master supply voltage V_{OUT1} is 3.3 V and the LMZ10504EXT output voltage was 1.8 V, then the value of R_{trkb} needed to give the two supplies identical soft-start times would be 14.3 k Ω . Figure 19 shows an example of tracking using equal soft-start time.

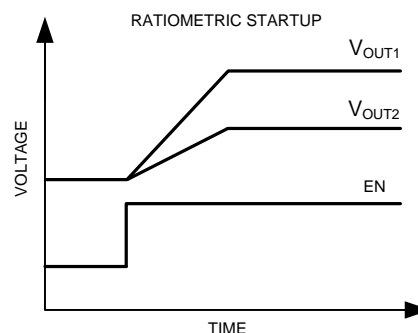


Figure 19. Timing Diagram for Tracking Using Equal Soft-Start Time

Feature Description (continued)

7.3.7 Tracking - Equal Slew Rates

Alternatively, the tracking feature can be used to have similar output voltage ramp rates. This is referred to as simultaneous start-up. In this case, the tracking resistors can be determined based on Equation 5:

$$R_{\text{trkb}} = \frac{0.8 \text{ V}}{V_{\text{OUT2}} - 0.8 \text{ V}} \times R_{\text{trkt}} \quad (5)$$

and to ensure proper overdrive of the SS pin:

$$V_{\text{OUT2}} < 0.8 \times V_{\text{OUT1}} \quad (6)$$

For the example case of $V_{\text{OUT1}} = 5 \text{ V}$ and $V_{\text{OUT2}} = 2.5 \text{ V}$, with R_{trkt} set to $33 \text{ k}\Omega$ as before, R_{trkb} is calculated from Equation 5 to be $15.5 \text{ k}\Omega$. Figure 20 shows an example of tracking using equal slew rates.

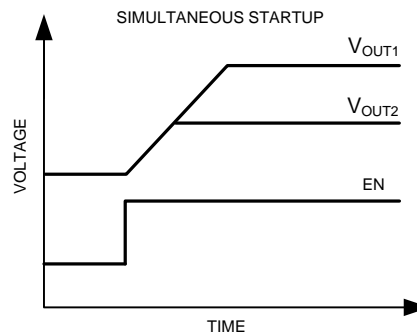


Figure 20. Timing Diagram for Tracking Using Equal Slew Rates

7.3.8 Current Limit

When a current greater than the output current limit (I_{OCL}) is sensed, the ON-time is immediately terminated and the low-side MOSFET is activated. The low-side MOSFET stays on for the entire next four switching cycles. During these skipped pulses, the voltage on the soft-start pin is reduced by discharging the soft-start capacitor by a current sink on the soft-start pin of nominally $14 \mu\text{A}$. Subsequent overcurrent events will drain more and more charge from the soft-start capacitor, effectively decreasing the reference voltage as the output droops due to the pulse skipping. Reactivation of the soft-start circuitry ensures that when the overcurrent situation is removed, the part will resume normal operation smoothly.

7.3.9 Overtemperature Protection

When the LMZ10504EXT senses a junction temperature greater than 145°C (typical), both switching MOSFETs are turned off and the part enters a standby state. Upon sensing a junction temperature below 135°C (typical), the part will re-initiate the soft-start sequence and begin switching once again.

7.4 Device Functional Modes

7.4.1 Prebias Start-Up Capability

At start-up, the LMZ10504EXT is in a prebiased state when the output voltage is greater than zero. This often occurs in many multi-rail applications such as when powering an ASIC, FPGA, or DSP. The output can be prebiased in these applications through parasitic conduction paths from one supply rail to another. Even though the LMZ10504EXT is a synchronous converter, it will not pull the output low when a prebias condition exists. The LMZ10504EXT will not sink current during start-up until the soft-start voltage exceeds the voltage on the FB pin. Because the device does not sink current it protects the load from damage that might otherwise occur if current is conducted through the parasitic paths of the load.

8 Application and Implementation

NOTE

Information in the following applications sections is not part of the TI component specification, and TI does not warrant its accuracy or completeness. TI's customers are responsible for determining suitability of components for their purposes. Customers should validate and test their design implementation to confirm system functionality.

8.1 Application Information

The LMZ10504EXT is a step-down DC-to-DC power module. It is typically used to convert a higher DC voltage to a lower DC voltage with a maximum output current of 4 A. The following design procedure can be used to select components for the LMZ10504EXT. Alternately, the WEBENCH software may be used to generate complete designs. When generating a design, the WEBENCH software uses iterative design procedure and accesses comprehensive databases of components. Visit www.ti.com for more details. Note that the low radiated emissions (EMI) are tested under the EN55022 Class B standard (EN 55022:2006, +A1:2007, FCC Part 15 Subpart B: 2007). See [Figure 21](#) and [Layout](#) for information on the device under test.

8.2 Typical Application

This section provides several application solutions with an associated bill of materials. The compensation for each solution was optimized to work over the full input range. Many applications have a fixed input voltage rail. It is possible to modify the compensation to obtain a faster transient response for a given input voltage operating point.

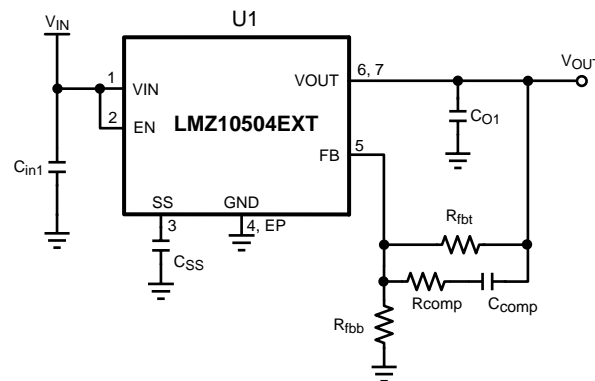


Figure 21. Typical Application Schematic

8.2.1 Design Requirements

For this example the following application parameters exist.

- $V_{IN} = 5\text{ V}$
- $V_{OUT} = 2.5\text{ V}$
- $I_{OUT} = 4\text{ A}$
- $\Delta V_{OUT} = 20\text{ mV}_{pk-pk}$
- $\Delta V_{o_tran} = \pm 20\text{ mV}_{pk-pk}$

Table 1. Bill of Materials, $V_{IN} = 3.3\text{ V to } 5\text{ V}$, $V_{OUT} = 2.5\text{ V}$, $I_{OUT (MAX)} = 4\text{ A}$, Optimized for Electrolytic Input and Output Capacitance

DESIGNATOR	DESCRIPTION	CASE SIZE	MANUFACTURER	MANUFACTURER P/N	QUANTITY
U1	Power module	PFM-7	Texas Instruments	LMZ10504EXTTZ	1
C_{in1}	150 μF , 6.3 V, 18 m Ω	C2, 6.0 \times 3.2 \times 1.8 mm	Sanyo	6TPE150MIC2	1
C_{O1}	330 μF , 6.3 V, 18 m Ω	D3L, 7.3 \times 4.3 \times 2.8 mm	Sanyo	6TPE330MIL	1
R_{fbt}	100 k Ω	0603	Vishay Dale	CRCW0603100KFKEA	1

Typical Application (continued)

Table 1. Bill of Materials, $V_{IN} = 3.3\text{ V}$ to 5 V , $V_{OUT} = 2.5\text{ V}$, $I_{OUT (MAX)} = 4\text{ A}$, Optimized for Electrolytic Input and Output Capacitance (continued)

DESIGNATOR	DESCRIPTION	CASE SIZE	MANUFACTURER	MANUFACTURER P/N	QUANTITY
R_{fb}	47.5 k Ω	0603	Vishay Dale	CRCW060347K5FKEA	1
R_{comp}	15 k Ω	0603	Vishay Dale	CRCW060315K0FKEA	1
C_{comp}	330 pF, $\pm 5\%$, C0G, 50 V	0603	TDK	C1608C0G1H331J	1
C_{SS}	10 nF, $\pm 10\%$, X7R, 16 V	0603	Murata	GRM188R71C103KA01	1

Table 2. Bill of Materials, $V_{IN} = 3.3\text{ V}$, $V_{OUT} = 0.8\text{ V}$, $I_{OUT (MAX)} = 4\text{ A}$, Optimized for Solution Size and Transient Response

DESIGNATOR	DESCRIPTION	CASE SIZE	MANUFACTURER	MANUFACTURER P/N	QUANTITY
U1	Power module	PFM-7	Texas Instruments	LMZ10504EXTTZ	1
C_{in1} , C_{O1}	47 μ F, X5R, 6.3 V	1206	TDK	C3216X5R0J476M	2
R_{fbt}	110 k Ω	0402	Vishay Dale	CRCW0402100KFKED	1
R_{comp}	1.0 k Ω	0402	Vishay Dale	CRCW04021K00FKED	1
C_{comp}	27 pF, $\pm 5\%$, C0G, 50 V	0402	Murata	GRM1555C1H270JZ01	1
C_{SS}	10 nF, $\pm 10\%$, X7R, 16 V	0402	Murata	GRM155R71C103KA01	1

8.2.2 Detailed Design Procedure

LMZ10504EXT is fully supported by WEBENCH and offers the following: component selection, performance, electrical, and thermal simulations as well as the Build-It board, for a reduced design time. On the other hand, all external components can be calculated by following the design procedure below.

1. Determine the input voltage and output voltage. Also, make note of the ripple voltage and voltage transient requirements.
2. Determine the necessary input and output capacitance.
3. Calculate the feedback resistor divider.
4. Select the optimized compensation component values.
5. Estimate the power dissipation and board thermal requirements.
6. Follow the PCB design guideline.
7. Learn about the LMZ10504EXT features such as enable, input UVLO, soft start, tracking, prebiased start-up, current limit, and thermal shutdown.

8.2.2.1 Custom Design With WEBENCH® Tools

[Click here](#) to create a custom design using the LMZ10504 device with the WEBENCH® Power Designer.

1. Start by entering the input voltage (V_{IN}), output voltage (V_{OUT}), and output current (I_{OUT}) requirements.
2. Optimize the design for key parameters such as efficiency, footprint, and cost using the optimizer dial.
3. Compare the generated design with other possible solutions from Texas Instruments.

The WEBENCH Power Designer provides a customized schematic along with a list of materials with real-time pricing and component availability.

In most cases, these actions are available:

- Run electrical simulations to see important waveforms and circuit performance
- Run thermal simulations to understand board thermal performance
- Export customized schematic and layout into popular CAD formats
- Print PDF reports for the design, and share the design with colleagues

Get more information about WEBENCH tools at www.ti.com/WEBENCH.

8.2.2.2 Input Capacitor Selection

A 22- μF or 47- μF high-quality dielectric (X5R, X7R) ceramic capacitor rated at twice the maximum input voltage is typically sufficient. The input capacitor must be placed as close as possible to the VIN pin and GND exposed pad to substantially eliminate the parasitic effects of any stray inductance or resistance on the PCB and supply lines.

Neglecting capacitor equivalent series resistance (ESR), the resultant input capacitor AC ripple voltage is a triangular waveform. The minimum input capacitance for a given peak-to-peak value (ΔV_{IN}) of V_{IN} is specified as follows:

$$C_{\text{in}} \geq \frac{I_{\text{OUT}} \times D \times (1-D)}{f_{\text{sw}} \times \Delta V_{\text{IN}}}$$

where

- the PWM duty cycle, D, is given by [Equation 8](#): (7)

$$D = \frac{V_{\text{OUT}}}{V_{\text{IN}}} \quad (8)$$

If ΔV_{IN} is 1% of V_{IN} , this equals to 50 mV and $f_{\text{sw}} = 1$ MHz.

$$C_{\text{in}} \geq \frac{4\text{A} \times \left(\frac{2.5\text{V}}{5\text{V}}\right) \times \left(1 - \frac{2.5\text{V}}{5\text{V}}\right)}{1 \text{ MHz} \times 50 \text{ mV}} \geq 20 \mu\text{F} \quad (9)$$

A second criteria before finalizing the C_{in} bypass capacitor is the RMS current capability. The necessary RMS current rating of the input capacitor to a buck regulator can be estimated by:

$$I_{\text{Cin(RMS)}} = I_{\text{OUT}} \times \sqrt{D(1-D)} \quad (10)$$

$$I_{\text{Cin(RMS)}} = 4\text{A} \times \sqrt{\frac{2.5\text{V}}{5\text{V}} \left(1 - \frac{2.5\text{V}}{5\text{V}}\right)} = 2\text{A} \quad (11)$$

With this high AC current present in the input capacitor, the RMS current rating becomes an important parameter. The maximum input capacitor ripple voltage and RMS current occur at 50% duty cycle. Select an input capacitor rated for at least the maximum calculated $I_{\text{Cin(RMS)}}$.

Additional bulk capacitance with higher ESR may be required to damp any resonance effects of the input capacitance and parasitic inductance.

8.2.2.3 Output Capacitor Selection

In general, 22- μF to 100- μF high-quality dielectric (X5R, X7R) ceramic capacitor rated at twice the maximum output voltage is sufficient given the optimal high frequency characteristics and low ESR of ceramic dielectrics. Although, the output capacitor can also be of electrolytic chemistry for increased capacitance density.

Two output capacitance equations are required to determine the minimum output capacitance. One equation determines the output capacitance (C_{O}) based on PWM ripple voltage. The second equation determines C_{O} based on the load transient characteristics. Select the largest capacitance value of the two.

The minimum capacitance, given the maximum output voltage ripple (ΔV_{OUT}) requirement, is determined by the following equation:

$$C_{\text{O}} \geq \frac{\Delta i_{\text{L}}}{8 \times f_{\text{sw}} \times [\Delta V_{\text{OUT}} - (\Delta i_{\text{L}} \times R_{\text{ESR}})]}$$

where

- the peak to peak inductor current ripple (Δi_{L}) is equal to [Equation 13](#): (12)

$$\Delta i_{\text{L}} = \frac{(V_{\text{IN}} - V_{\text{OUT}}) \times D}{L \times f_{\text{sw}}} \quad (13)$$

R_{ESR} is the total output capacitor ESR, L is the inductance value of the internal power inductor, where $L = 1.5$ μH , and $f_{\text{sw}} = 1$ MHz. Therefore, per the design example:

$$\Delta i_L = \frac{(5V - 2.5V) \times \frac{2.5V}{5V}}{1.5 \mu H \times 1 \text{ MHz}} = 833 \text{ mA} \quad (14)$$

The minimum output capacitance requirement due to the PWM ripple voltage is:

$$C_O \geq \frac{833 \text{ mA}}{8 \times 1 \text{ MHz} \times [20 \text{ mV} - (833 \text{ mA} \times 3 \text{ m}\Omega)]} \quad (15)$$

$$C_O \geq 6 \mu F \quad (16)$$

Three mΩ is a typical R_{ESR} value for ceramic capacitors.

Equation 17 provides a good first pass capacitance requirement for a load transient:

$$C_O \geq \frac{I_{\text{step}} \times V_{FB} \times L \times V_{IN}}{4 \times V_{OUT} \times (V_{IN} - V_{OUT}) \times \Delta V_{o_tran}}$$

where

- I_{step} is the peak to peak load step,
 - $V_{FB} = 0.8 \text{ V}$,
 - and ΔV_{o_tran} is the maximum output voltage deviation, which is $\pm 20 \text{ mV}$.
- (17)

Therefore the capacitance requirement for the given design parameters is:

$$C_O \geq \frac{3.2 \text{ A} \times 0.8 \text{ V} \times 1.5 \mu H \times 5 \text{ V}}{4 \times 2.5 \text{ V} \times (5 \text{ V} - 2.5 \text{ V}) \times 20 \text{ mV}} \quad (18)$$

$$C_O \geq 39 \mu F \quad (19)$$

In this particular design the output capacitance is determined by the load transient requirements.

Table 3 lists some examples of commercially available capacitors that can be used with the LMZ10504EXT.

Table 3. Recommended Output Filter Capacitors

C_O (μF)	VOLTAGE (V), R_{ESR} (mΩ)	MAKE	MANUFACTURER	PART NUMBER	CASE SIZE
22	6.3, < 5	Ceramic, X5R	TDK	C3216X5R0J226M	1206
47	6.3, < 5	Ceramic, X5R	TDK	C3216X5R0J476M	1206
47	6.3, < 5	Ceramic, X5R	TDK	C3225X5R0J476M	1210
47	10.0, < 5	Ceramic, X5R	TDK	C3225X5R1A476M	1210
100	6.3, < 5	Ceramic, X5R	TDK	C3225X5R0J107M	1210
100	6.3, 50	Tantalum	AVX	TPSD157M006#0050	D, 7.5 × 4.3 × 2.9 mm
100	6.3, 25	Organic Polymer	Sanyo	6TPE100MPB2	B2, 3.5 × 2.8 × 1.9 mm
150	6.3, 18	Organic Polymer	Sanyo	6TPE150MIC2	C2, 6.0 × 3.2 × 1.8 mm
330	6.3, 18	Organic Polymer	Sanyo	6TPE330MIL	D3L, 7.3 × 4.3 × 2.8 mm
470	6.3, 23	Niobium Oxide	AVX	NOME37M006#0023	E, 7.3 × 4.3 × 4.1 mm

8.2.2.3.1 Output Voltage Setting

A resistor divider network from V_{OUT} to the FB pin determines the desired output voltage as follows:

$$V_{OUT} = 0.8 \text{ V} \times \frac{R_{fbt} + R_{fbb}}{R_{fbb}} \quad (20)$$

R_{fbt} is defined based on the voltage loop requirements and R_{fbb} is then selected for the desired output voltage. Resistors are normally selected as 0.5% or 1% tolerance. Higher accuracy resistors such as 0.1% are also available.

The feedback voltage (at $V_{OUT} = 2.5\text{ V}$) is accurate to within -2.5% / $+2.5\%$ over temperature and over line and load regulation. Additionally, the LMZ10504EXT contains error nulling circuitry to substantially eliminate the feedback voltage variation over temperature as well as the long-term aging effects of the internal amplifiers. In addition the zero nulling circuit dramatically reduces the $1/f$ noise of the bandgap amplifier and reference. The manifestation of this circuit action is that the duty cycle will have two slightly different but distinct operating points, each evident every other switching cycle.

8.2.2.4 Loop Compensation

The LMZ10504EXT preserves flexibility by integrating the control components around the internal error amplifier while utilizing three small external compensation components from V_{OUT} to FB. An integrated type II (two pole, one zero) voltage-mode compensation network is featured. To ensure stability, an external resistor and small value capacitor can be added across the upper feedback resistor as a pole-zero pair to complete a type III (three pole, two zero) compensation network. The compensation components recommended in Table 4 provide type III compensation at an optimal control loop performance. The typical phase margin is 45° with a bandwidth of 80 kHz. Calculated output capacitance values not listed in Table 4 should be verified before designing into production. The [AN-2013 LMZ1050x/LMZ1050xEXT SIMPLE SWITCHER Power Module](#) (SNVA417) is a detailed application note that provides verification support. In general, calculated output capacitance values below the suggested value will have reduced phase margin and higher control loop bandwidth. Output capacitance values above the suggested values will experience a lower bandwidth and increased phase margin. Higher bandwidth is associated with faster system response to sudden changes such as load transients. Phase margin changes the characteristics of the response. Lower phase margin is associated with underdamped ringing and higher phase margin is associated with overdamped response. Losing all phase margin will cause the system to be unstable; an optimized area of operation is 30° to 60° of phase margin, with a bandwidth of 100 kHz ± 20 kHz.

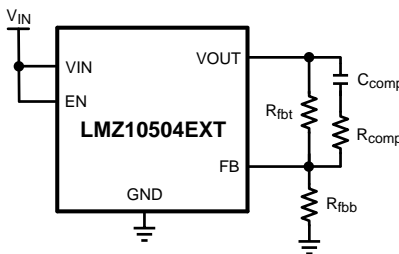


Figure 22. Loop Compensation Control Components

Table 4. LMZ10504EXT Compensation Component Values⁽¹⁾

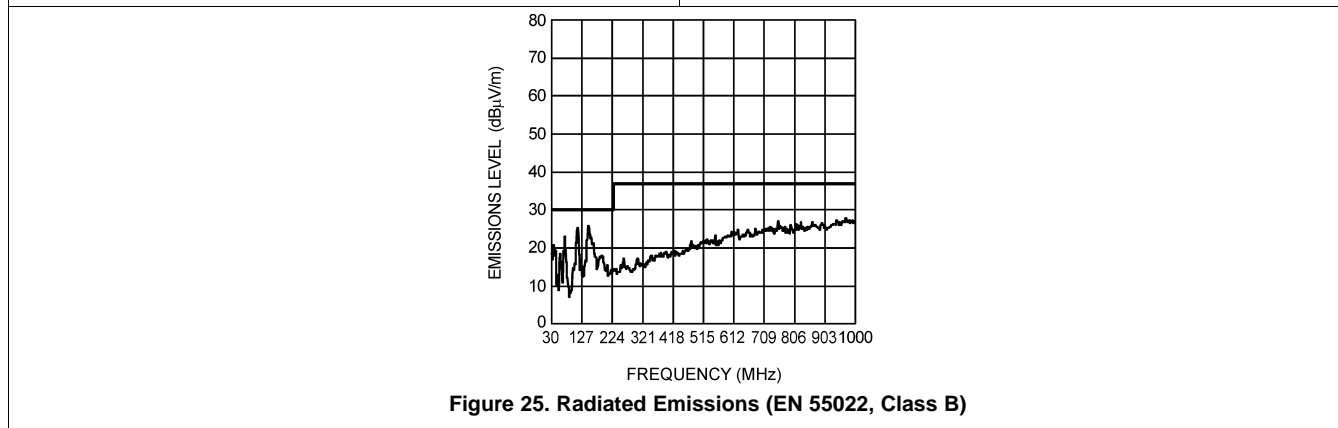
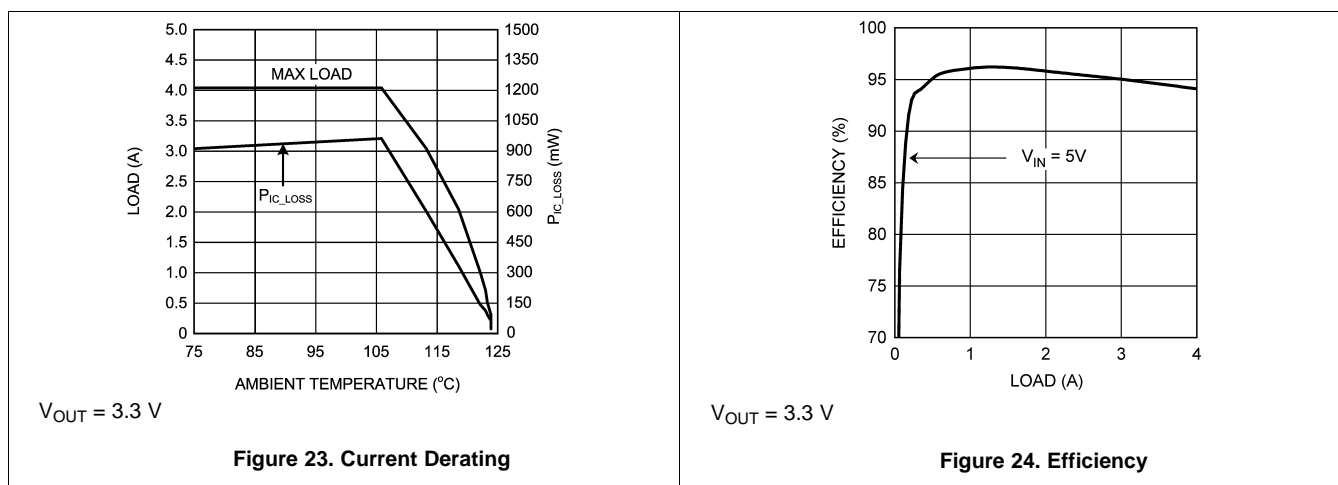
V_{IN} (V)	C_o (μF)	ESR (m Ω)		R_{fbt} (k Ω)	C_{comp} (pF)	R_{comp} (k Ω)
		MIN	MAX			
5	22	2	20	200	27	1.5
	47	2	20	124	68	1.4
	100	1	10	82.5	150	0.681
	150	1	5	63.4	220	1
	150	10	25	63.4	220	3.48
	150	26	50	226	62	12.1
	220	15	30	150	100	6.98
	220	31	60	316	560	14

(1) In the special case where the output voltage is 0.8 V, TI recommends to remove R_{fbb} and keep R_{fbt} , R_{comp} , and C_{comp} for a type III compensation.

Table 4. LMZ10504EXT Compensation Component Values⁰ (continued)

V _{IN} (V)	C _O (μF)	ESR (mΩ)		R _{fbt} (kΩ)	C _{comp} (pF)	R _{comp} (kΩ)
		MIN	MAX			
3.3	22	2	20	118	43	9.09
	47	2	20	76.8	100	3.32
	100	1	10	49.9	180	2.49
	150	1	5	40.2	330	1
	150	10	25	43.2	330	4.99
	150	26	50	143	100	7.5
	220	15	30	100	180	4.99
	220	31	60	200	100	8.06

8.2.3 Application Curves



8.3 System Examples

8.3.1 Application Schematic for 3.3-V to 5-V Input and 2.5-V Output With Optimized Ripple and Transient Response

The compensation for each solution was optimized to work over the full input range. Many applications have a fixed input voltage rail. It is possible to modify the compensation to obtain a faster transient response for a given input voltage operating point.

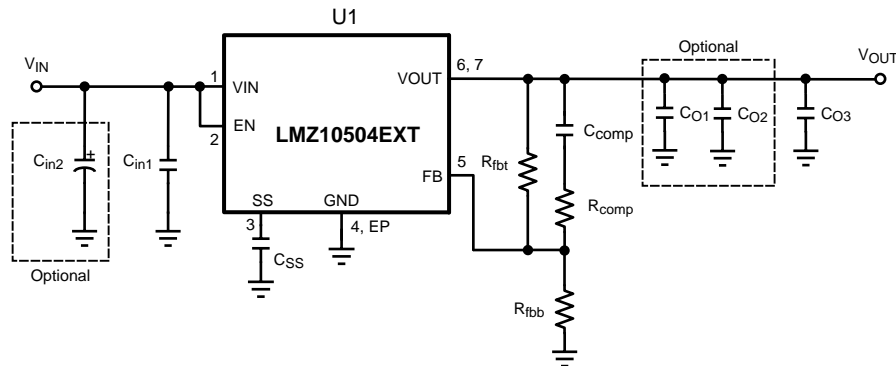


Figure 26. Schematic for 2.5-V Output Based on 3.3-V to 5-V Input

Table 5. Bill of Materials, $V_{IN} = 3.3\text{ V to }5\text{ V}$, $V_{OUT} = 2.5\text{ V}$, $I_{OUT(MAX)} = 4\text{ A}$, Optimized for Low Input and Output Ripple Voltage and Fast Transient Response

DESIGNATOR	DESCRIPTION	CASE SIZE	MANUFACTURER	MANUFACTURER P/N	QUANTITY
U1	Power module	PFM-7	Texas Instruments	LMZ10504EXTTZ	1
C_{in1}	22 μF , X5R, 10 V	1210	AVX	1210ZD226MAT	2
C_{in2}	220 μF , 10 V, AL-Elec	E	Panasonic	EEE1AA221AP	1*
C_{O1}	4.7 μF , X5R, 10 V	0805	AVX	0805ZD475MAT	1*
C_{O2}	22 μF , X5R, 6.3 V	1206	AVX	12066D226MAT	1*
C_{O3}	100 μF , X5R, 6.3 V	1812	AVX	18126D107MAT	1
R_{fbt}	75 k Ω	0402	Vishay Dale	CRCW040275K0FKED	1
R_{fbb}	34.8 k Ω	0402	Vishay Dale	CRCW040234K8FKED	1
R_{comp}	1.0 k Ω	0402	Vishay Dale	CRCW04021K00FKED	1
C_{comp}	100 pF, $\pm 5\%$, C0G, 50 V	0402	Murata	GRM1555C1H101JZ01	1
C_{SS}	10 nF, $\pm 10\%$, X7R, 16 V	0402	Murata	GRM155R71C103KA01	1

Table 6. Output Voltage Setting ($R_{fbt} = 75\text{ k}\Omega$)

V_{OUT}	R_{fbb}
2.5 V	34.8 k Ω
1.8 V	59 k Ω
1.5 V	84.5 k Ω
1.2 V	150 k Ω
0.9 V	590 k Ω

8.3.2 Application Schematic for 3.3-V to 5-V Input and 2.5-V Output

The compensation for each solution was optimized to work over the full input range. Many applications have a fixed input voltage rail. It is possible to modify the compensation to obtain a faster transient response for a given input voltage operating point.

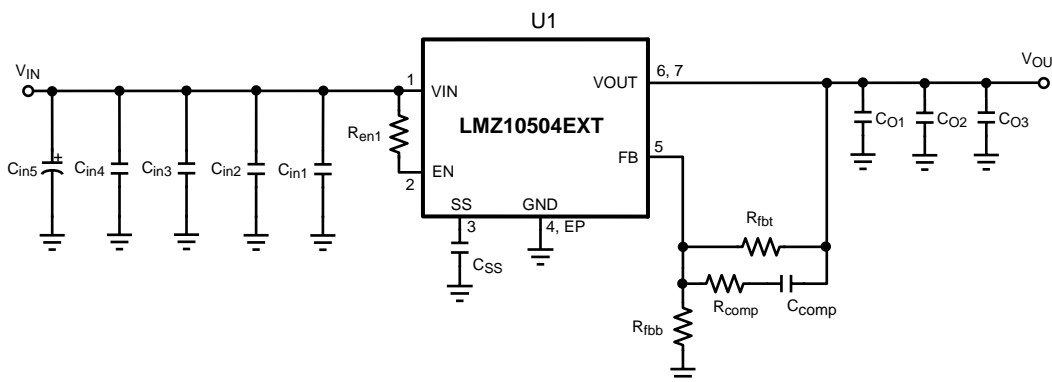


Figure 27. Schematic for 2.5-V Output Based on 3.3-V to 5-V Input

Table 7. Bill of Materials, $V_{IN} = 3.3\text{ V to }5\text{ V}$, $V_{OUT} = 2.5\text{ V}$, $I_{OUT (MAX)} = 4\text{ A}$

DESIGNATOR	DESCRIPTION	CASE SIZE	MANUFACTURER	MANUFACTURER P/N	QUANTITY
U1	Power module	PFM-7	Texas Instruments	LMZ10504EXTTZ	1
C_{in1}	1 μF , X7R, 16 V	0805	TDK	C2012X7R1C105K	1
C_{in2} , C_{O1}	4.7 μF , X5R, 6.3 V	0805	TDK	C2012X5R0J475K	2
C_{in3} , C_{O2}	22 μF , X5R, 16 V	1210	TDK	C3225X5R1C226M	2
C_{in4}	47 μF , X5R, 6.3 V	1210	TDK	C3225X5R0J476M	1
C_{in5}	220 μF , 10 V, AL-Elec	E	Panasonic	EEE1AA221AP	1
C_{O3}	100 μF , X5R, 6.3 V	1812	TDK	C4532X5R0J107M	1
R_{fbt}	75 k Ω	0805	Vishay Dale	CRCW080575K0FKEA	1
R_{fbb}	34.8 k Ω	0805	Vishay Dale	CRCW080534K8FKEA	1
R_{comp}	1.1 k Ω	0805	Vishay Dale	CRCW08051K10FKEA	1
C_{comp}	180 pF, $\pm 5\%$, C0G, 50 V	0603	TDK	C1608C0G1H181J	1
R_{en1}	100 k Ω	0805	Vishay Dale	CRCW0805100KFKEA	1
C_{SS}	10 nF, $\pm 5\%$, C0G, 50 V	0805	TDK	C2012C0G1H103J	1

Table 8. Output Voltage Setting ($R_{fbt} = 75\text{ k}\Omega$)

V_{OUT}	R_{fbb}
2.5 V	34.8 k Ω
1.8 V	59 k Ω
1.5 V	84.5 k Ω
1.2 V	150 k Ω
0.9 V	590 k Ω

8.3.3 EMI Tested Schematic for 2.5-V Output Based on 3.3-V to 5-V Input

The compensation for each solution was optimized to work over the full input range. Many applications have a fixed input voltage rail. It is possible to modify the compensation to obtain a faster transient response for a given input voltage operating point.

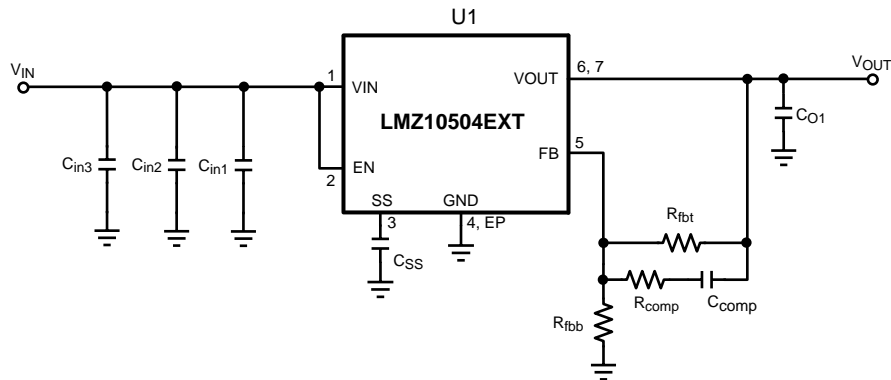


Figure 28. EMI Tested Schematic for 2.5-V Output Based on 3.3-V to 5-V Input

Table 9. Bill of Materials, $V_{IN} = 5\text{ V}$, $V_{OUT} = 2.5\text{ V}$, $I_{OUT (MAX)} = 4\text{ A}$, Tested With EN55022 Class B Radiated Emissions

DESIGNATOR	DESCRIPTION	CASE SIZE	MANUFACTURER	MANUFACTURER P/N	QUANTITY
U1	Power module	PFM-7	Texas Instruments	LMZ10504EXTTZ	1
C_{in1}	1 μF , X7R, 16 V	0805	TDK	C2012X7R1C105K	1
C_{in2}	4.7 μF , X5R, 6.3 V	0805	TDK	C2012X5R0J475K	1
C_{in3}	47 μF , X5R, 6.3 V	1210	TDK	C3225X5R0J476M	1
C_{O1}	100 μF , X5R, 6.3 V	1812	TDK	C4532X5R0J107M	1
R_{fbt}	75 k Ω	0805	Vishay Dale	CRCW080575K0FKEA	1
R_{fbb}	34.8 k Ω	0805	Vishay Dale	CRCW080534K8FKEA	1
R_{comp}	1.1 k Ω	0805	Vishay Dale	CRCW08051K10FKEA	1
C_{comp}	180 pF, $\pm 5\%$, C0G, 50 V	0603	TDK	C1608C0G1H181J	1
C_{SS}	10 nF, $\pm 5\%$, C0G, 50 V	0805	TDK	C2012C0G1H103J	1

Table 10. Output Voltage Setting ($R_{fbt} = 75\text{ k}\Omega$)

V_{OUT}	R_{fbb}
3.3 V	23.7 k Ω
2.5 V	34.8 k Ω
1.8 V	59 k Ω
1.5 V	84.5 k Ω
1.2 V	150 k Ω
0.9 V	590 k Ω

9 Power Supply Recommendations

The LMZ10504EXT device is designed to operate from an input voltage supply range between 2.95 V and 5.5 V. This input supply must be well regulated and able to withstand maximum input current and maintain a stable voltage. The resistance of the input supply rail must be low enough that an input current transient does not cause a high enough drop at the LMZ10504EXT supply voltage that can cause a false UVLO fault triggering and system reset. If the input supply is more than a few inches from the LMZ10504EXT, additional bulk capacitance may be required in addition to the ceramic bypass capacitors. The amount of bulk capacitance is not critical, but a 47- μ F or 100- μ F electrolytic capacitor is a typical choice.

10 Layout

10.1 Layout Guidelines

PCB layout is an important part of DC-DC converter design. Poor board layout can disrupt the performance of a DC-DC converter and surrounding circuitry by contributing to EMI, ground bounce and resistive voltage drop in the traces. These can send erroneous signals to the DC-DC converter resulting in poor regulation or instability. Good layout can be implemented by following a few simple design rules.

1. Minimize area of switched current loops.

From an EMI reduction standpoint, it is imperative to minimize the high di/dt current paths. The high current that does not overlap contains high di/dt, see [Figure 29](#). Therefore physically place input capacitor (C_{in1}) as close as possible to the LMZ10504EXT VIN pin and GND exposed pad to avoid observable high-frequency noise on the output pin. This will minimize the high di/dt area and reduce radiated EMI. Additionally, grounding for both the input and output capacitor should consist of a localized top side plane that connects to the GND exposed pad (EP).

2. Have a single point ground.

Route the ground connections for the feedback, soft-start, and enable components only to the GND pin of the device. This prevents any switched or load currents from flowing in the analog ground traces. If not properly placed, poor grounding can result in degraded load regulation or erratic output voltage ripple behavior. Provide the single point ground connection from pin 4 to EP.

3. Minimize trace length to the FB pin.

Both feedback resistors, R_{fbt} and R_{fbb} , and the compensation components, R_{comp} and C_{comp} , should be located close to the FB pin. Because the FB node is high impedance, keep the copper area as small as possible. This is most important as relatively high-value resistors are used to set the output voltage.

4. Make input and output bus connections as wide as possible.

This reduces any voltage drops on the input or output of the converter and maximizes efficiency. To optimize voltage accuracy at the load, ensure that a separate feedback voltage sense trace is made at the load. Doing so will correct for voltage drops and provide optimum output accuracy.

5. Provide adequate device heat-sinking.

Use an array of heat-sinking vias to connect the exposed pad to the ground plane on the bottom PCB layer. If the PCB has multiple copper layers, thermal vias can also be employed to make connection to inner layer heat-spreading ground planes. For best results use a 6 × 6 via array with minimum via diameter of 8 mils thermal vias spaced 59 mils (1.5 mm). Ensure enough copper area is used for heat-sinking to keep the junction temperature below 125°C.

LMZ10504EXT

SNVS670J – JUNE 2010 – REVISED APRIL 2019

www.ti.com

10.2 Layout Examples

The PCB design is available in the LMZ10504EXT product folder at www.ti.com

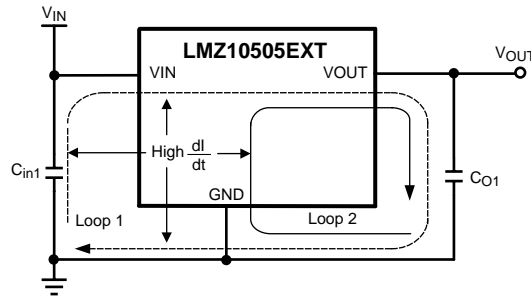


Figure 29. Critical Current Loops to Minimize

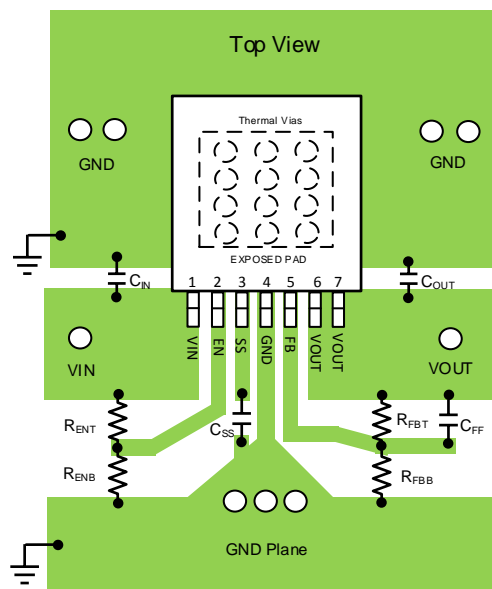


Figure 30. PCB Layout Guide

Layout Examples (continued)

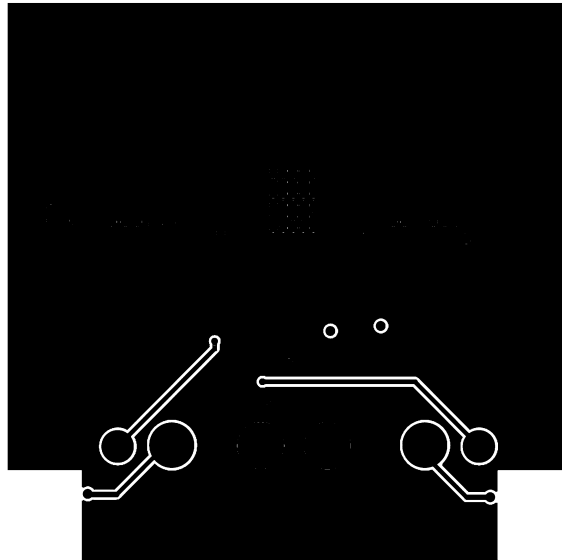


Figure 33. Internal Layer 2 (Ground and Signal Traces)

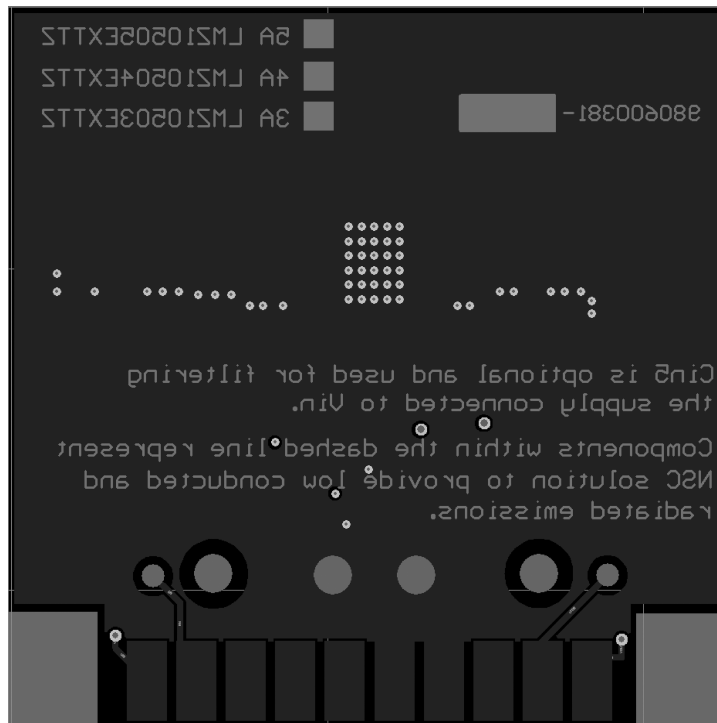


Figure 34. Bottom Copper

10.3 Estimate Power Dissipation and Thermal Considerations

Use the current derating curves in the *Typical Characteristics* section to obtain an estimate of power loss (P_{IC_LOSS}). For the design case of $V_{IN} = 5\text{ V}$, $V_{OUT} = 2.5\text{ V}$, $I_{OUT} = 4\text{ A}$, $T_{A(MAX)} = 85^\circ\text{C}$, and $T_{J(MAX)} = 125^\circ\text{C}$, the device must see a thermal resistance from case to ambient (θ_{CA}) of less than:

$$\theta_{CA} \geq \frac{T_{J(MAX)} - T_{A(MAX)}}{P_{IC_LOSS}} - \theta_{JC} \quad (21)$$

$$\text{Board Area}_{\text{cm}^2} \geq \frac{500}{41^\circ\text{C}} \times \frac{^\circ\text{C} \times \text{cm}^2}{\text{W}} \quad (22)$$

Given the typical thermal resistance from junction to case (θ_{JC}) to be 1.9°C/W (typical). Continuously operating at a T_J greater than 125°C will have a shorten life span.

To reach $\theta_{CA} = 41^\circ\text{C/W}$, the PCB is required to dissipate heat effectively. With no airflow and no external heat, a good estimate of the required board area covered by 1-oz. copper on both the top and bottom metal layers is:

$$\text{Board Area}_{\text{cm}^2} \geq \frac{500}{\theta_{CA}} \times \frac{^\circ\text{C} \times \text{cm}^2}{\text{W}} \quad (23)$$

$$\text{Board Area}_{\text{cm}^2} \geq \frac{500}{41^\circ\text{C}} \times \frac{^\circ\text{C} \times \text{cm}^2}{\text{W}} \quad (24)$$

As a result, approximately 12 square cm of 1-oz. copper on top and bottom layers is required for the PCB design.

The PCB copper heat sink must be connected to the exposed pad (EP). Approximately thirty six 8 mil thermal vias spaced 59 mils (1.5 mm) apart must connect the top copper to the bottom copper. For an extended discussion and formulations of thermal rules of thumb, refer to *AN-2020 Thermal Design By Insight, Not Hindsight* (SNVA419) and for an example of a high thermal performance PCB layout, refer to the evaluation board application note *AN-2074 LMZ1050xEXT Evaluation Board* (SNVA450).

10.4 Power Module SMT Guidelines

The recommendations below are for a standard module surface mount assembly

- Land Pattern – Follow the PCB land pattern with either soldermask defined or non-soldermask defined pads
- Stencil Aperture
 - For the exposed die attach pad (DAP), adjust the stencil for approximately 80% coverage of the PCB land pattern
 - For all other I/O pads use a 1:1 ratio between the aperture and the land pattern recommendation.
- Solder Paste – Use a standard SAC Alloy such as SAC 305, type 3 or higher
- Stencil Thickness – 0.125 to 0.15 mm
- Reflow - Refer to solder paste supplier recommendation and optimized per board size and density
- Maximum number of reflows allowed is one
- Refer to *Design Summary LMZ1xxx and LMZ2xxx Power Modules Family* (SNAA214) for reflow information.

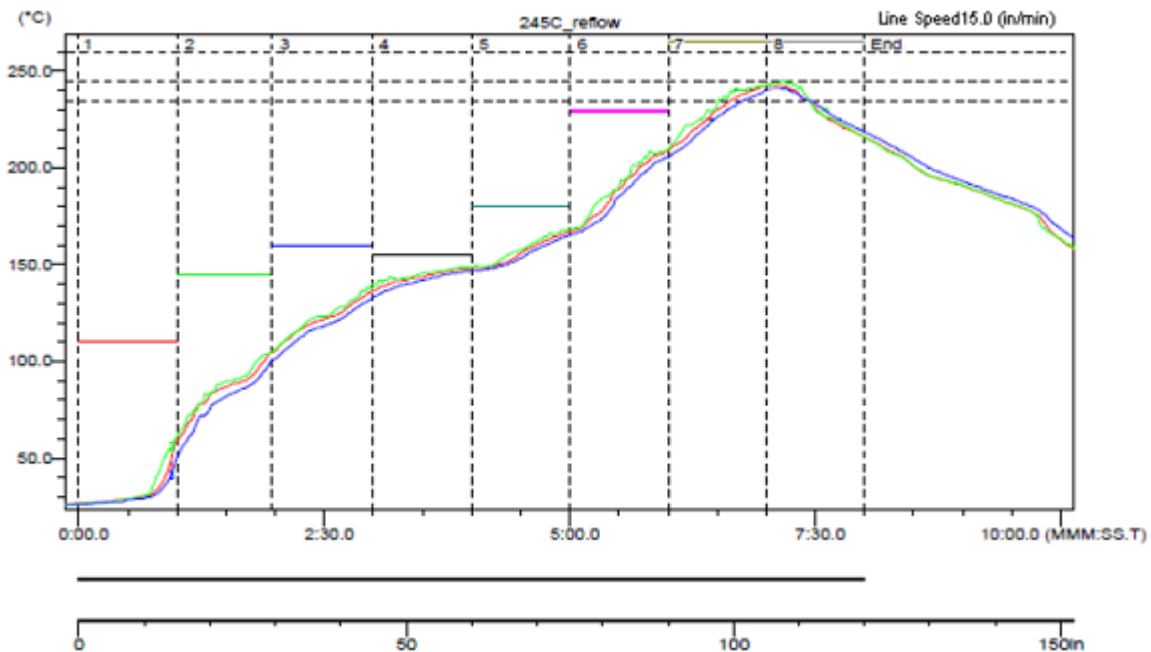


Figure 35. Sample Reflow Profile

Table 11. Sample Reflow Profile Table

PROBE	MAX TEMP (°C)	REACHED MAX TEMP	TIME ABOVE 235°C	REACHED 235°C	TIME ABOVE 245°C	REACHED 245°C	TIME ABOVE 260°C	REACHED 260°C
1	242.5	6.58	0.49	6.39	0.00	–	0.00	–
2	242.5	7.10	0.55	6.31	0.00	7.10	0.00	–
3	241.0	7.09	0.42	6.44	0.00	–	0.00	–

11 Device and Documentation Support

11.1 Device Support

11.1.1 Third-Party Products Disclaimer

TI'S PUBLICATION OF INFORMATION REGARDING THIRD-PARTY PRODUCTS OR SERVICES DOES NOT CONSTITUTE AN ENDORSEMENT REGARDING THE SUITABILITY OF SUCH PRODUCTS OR SERVICES OR A WARRANTY, REPRESENTATION OR ENDORSEMENT OF SUCH PRODUCTS OR SERVICES, EITHER ALONE OR IN COMBINATION WITH ANY TI PRODUCT OR SERVICE.

11.1.2 Development Support

11.1.2.1 Custom Design With WEBENCH® Tools

[Click here](#) to create a custom design using the LMZ10504 device with the WEBENCH® Power Designer.

1. Start by entering the input voltage (V_{IN}), output voltage (V_{OUT}), and output current (I_{OUT}) requirements.
2. Optimize the design for key parameters such as efficiency, footprint, and cost using the optimizer dial.
3. Compare the generated design with other possible solutions from Texas Instruments.

The WEBENCH Power Designer provides a customized schematic along with a list of materials with real-time pricing and component availability.

In most cases, these actions are available:

- Run electrical simulations to see important waveforms and circuit performance
- Run thermal simulations to understand board thermal performance
- Export customized schematic and layout into popular CAD formats
- Print PDF reports for the design, and share the design with colleagues

Get more information about WEBENCH tools at www.ti.com/WEBENCH.

11.2 Documentation Support

11.2.1 Related Documentation

For related documentation, see the following:

- [AN-2027 Inverting Application for the LMZ14203 SIMPLE SWITCHER Power Module](#) (SNVA425)
- [Absolute Maximum Ratings for Soldering](#) (SNOA549)
- [AN-2074 LMZ1050xEXT Evaluation Board](#) (SNVA450)
- [AN-2013 LMZ1050x/LMZ1050xEXT SIMPLE SWITCHER Power Module](#) (SNVA417)
- [AN-2024 LMZ1420x / LMZ1200x Evaluation Board](#) (SNVA422)
- [AN-2020 Thermal Design By Insight, Not Hindsight](#) (SNVA419)
- [AN-2026 Effect of PCB Design on Thermal Performance of SIMPLE SWITCHER Power Modules](#) (SNVA424)
- [Design Summary LMZ1xxx and LMZ2xxx Power Modules Family](#) (SNAA214)

11.3 Receiving Notification of Documentation Updates

To receive notification of documentation updates, navigate to the device product folder on ti.com. In the upper right corner, click on *Alert me* to register and receive a weekly digest of any product information that has changed. For change details, review the revision history included in any revised document.

11.4 Community Resources

The following links connect to TI community resources. Linked contents are provided "AS IS" by the respective contributors. They do not constitute TI specifications and do not necessarily reflect TI's views; see TI's [Terms of Use](#).

TI E2E™ Online Community *TI's Engineer-to-Engineer (E2E) Community*. Created to foster collaboration among engineers. At e2e.ti.com, you can ask questions, share knowledge, explore ideas and help solve problems with fellow engineers.

Community Resources (continued)

Design Support *TI's Design Support* Quickly find helpful E2E forums along with design support tools and contact information for technical support.

11.5 Trademarks

E2E is a trademark of Texas Instruments.
WEBENCH is a registered trademark of Texas Instruments.
All other trademarks are the property of their respective owners.

11.6 Electrostatic Discharge Caution



These devices have limited built-in ESD protection. The leads should be shorted together or the device placed in conductive foam during storage or handling to prevent electrostatic damage to the MOS gates.

11.7 Glossary

[SLYZ022](#) — *TI Glossary*.

This glossary lists and explains terms, acronyms, and definitions.

12 Mechanical, Packaging, and Orderable Information

The following pages include mechanical, packaging, and orderable information. This information is the most current data available for the designated devices. This data is subject to change without notice and revision of this document. For browser-based versions of this data sheet, refer to the left-hand navigation.

PACKAGING INFORMATION

Orderable Device	Status (1)	Package Type	Package Drawing	Pins	Package Qty	Eco Plan (2)	Lead/Ball Finish (6)	MSL Peak Temp (3)	Op Temp (°C)	Device Marking (4/5)	Samples
LMZ10504EXTTZ/NOPB	ACTIVE	TO-PMOD	NDW	7	250	RoHS Exempt & Green	CU SN	Level-3-245C-168 HR	-55 to 125	LMZ10504 EXT	Samples
LMZ10504EXTTZE/NOPB	ACTIVE	TO-PMOD	NDW	7	45	RoHS Exempt & Green	CU SN	Level-3-245C-168 HR	-55 to 125	LMZ10504 EXT	Samples
LMZ10504EXTTZX/NOPB	ACTIVE	TO-PMOD	NDW	7	500	RoHS Exempt & Green	CU SN	Level-3-245C-168 HR	-55 to 125	LMZ10504 EXT	Samples

(1) The marketing status values are defined as follows:

ACTIVE: Product device recommended for new designs.

LIFEBUY: TI has announced that the device will be discontinued, and a lifetime-buy period is in effect.

NRND: Not recommended for new designs. Device is in production to support existing customers, but TI does not recommend using this part in a new design.

PREVIEW: Device has been announced but is not in production. Samples may or may not be available.

OBsolete: TI has discontinued the production of the device.

(2) **RoHS:** TI defines "RoHS" to mean semiconductor products that are compliant with the current EU RoHS requirements for all 10 RoHS substances, including the requirement that RoHS substance do not exceed 0.1% by weight in homogeneous materials. Where designed to be soldered at high temperatures, "RoHS" products are suitable for use in specified lead-free processes. TI may reference these types of products as "Pb-Free".

RoHS Exempt: TI defines "RoHS Exempt" to mean products that contain lead but are compliant with EU RoHS pursuant to a specific EU RoHS exemption.

Green: TI defines "Green" to mean the content of Chlorine (Cl) and Bromine (Br) based flame retardants meet JS709B low halogen requirements of <=1000ppm threshold. Antimony trioxide based flame retardants must also meet the <=1000ppm threshold requirement.

(3) MSL, Peak Temp. - The Moisture Sensitivity Level rating according to the JEDEC industry standard classifications, and peak solder temperature.

(4) There may be additional marking, which relates to the logo, the lot trace code information, or the environmental category on the device.

(5) Multiple Device Markings will be inside parentheses. Only one Device Marking contained in parentheses and separated by a "-" will appear on a device. If a line is indented then it is a continuation of the previous line and the two combined represent the entire Device Marking for that device.

(6) Lead/Ball Finish - Orderable Devices may have multiple material finish options. Finish options are separated by a vertical ruled line. Lead/Ball Finish values may wrap to two lines if the finish value exceeds the maximum column width.

Important Information and Disclaimer:The information provided on this page represents TI's knowledge and belief as of the date that it is provided. TI bases its knowledge and belief on information provided by third parties, and makes no representation or warranty as to the accuracy of such information. Efforts are underway to better integrate information from third parties. TI has taken and continues to take reasonable steps to provide representative and accurate information but may not have conducted destructive testing or chemical analysis on incoming materials and chemicals. TI and TI suppliers consider certain information to be proprietary, and thus CAS numbers and other limited information may not be available for release.

In no event shall TI's liability arising out of such information exceed the total purchase price of the TI part(s) at issue in this document sold by TI to Customer on an annual basis.

TAPE AND REEL INFORMATION

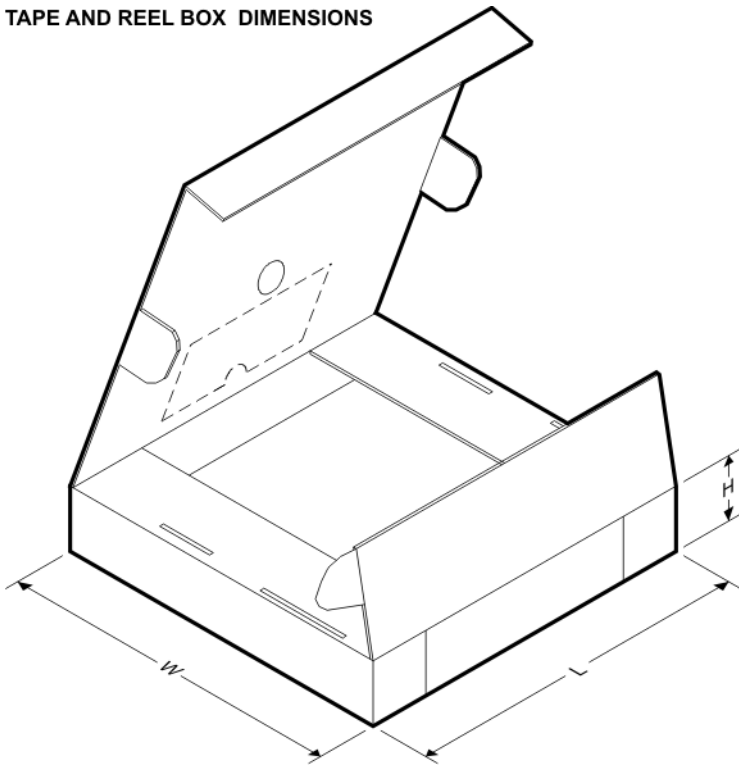


QUADRANT ASSIGNMENTS FOR PIN 1 ORIENTATION IN TAPE



*All dimensions are nominal

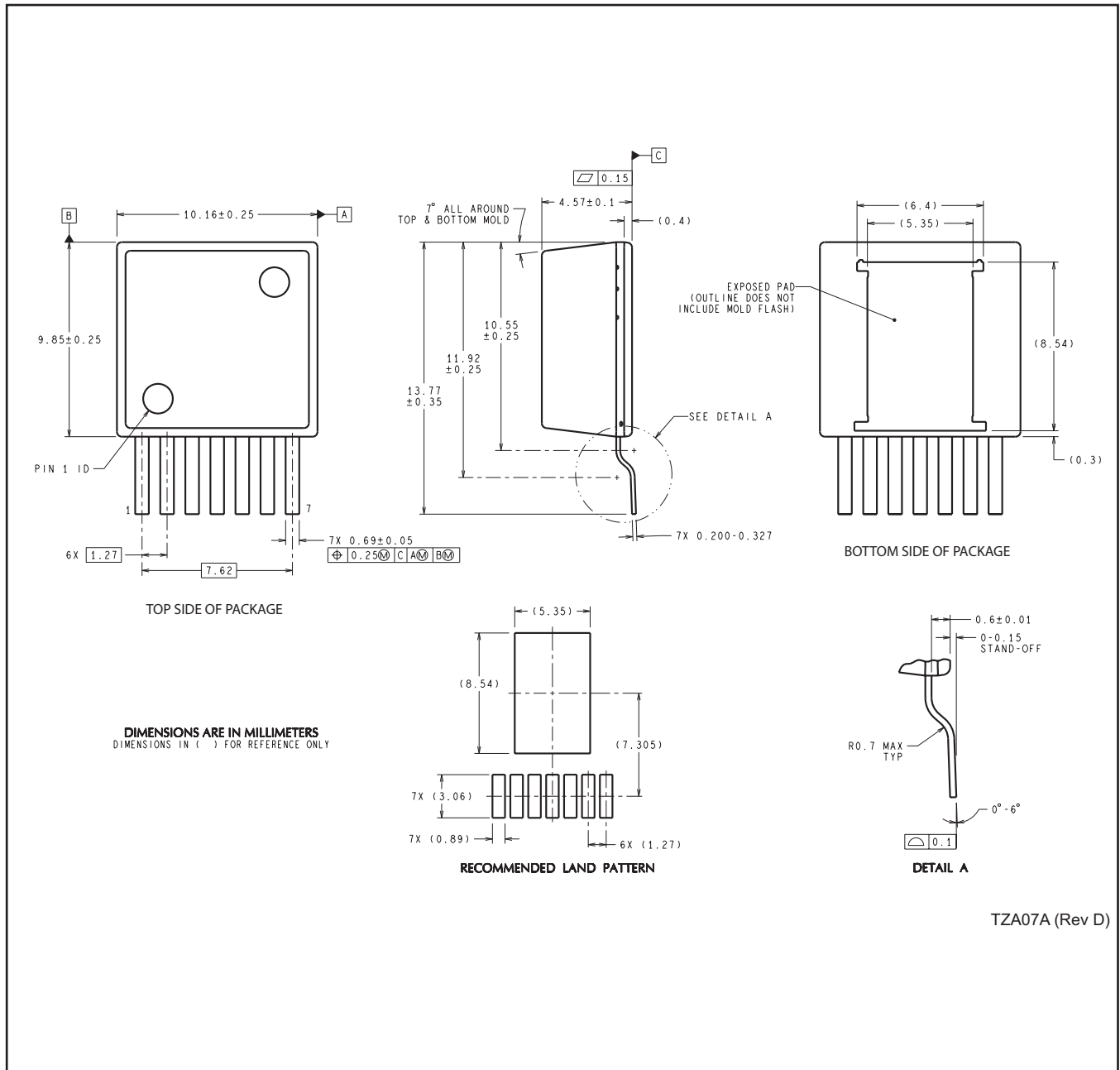
Device	Package Type	Package Drawing	Pins	SPQ	Reel Diameter (mm)	Reel Width W1 (mm)	A0 (mm)	B0 (mm)	K0 (mm)	P1 (mm)	W (mm)	Pin1 Quadrant
LMZ10504EXTTZ/NOPB	TO-PMOD	NDW	7	250	330.0	24.4	10.6	14.22	5.0	16.0	24.0	Q2
LMZ10504EXTTZ/NOPB	TO-PMOD	NDW	7	500	330.0	24.4	10.6	14.22	5.0	16.0	24.0	Q2

TAPE AND REEL BOX DIMENSIONS


*All dimensions are nominal

Device	Package Type	Package Drawing	Pins	SPQ	Length (mm)	Width (mm)	Height (mm)
LMZ10504EXTTZ/NOPB	TO-PMOD	NDW	7	250	367.0	367.0	45.0
LMZ10504EXTTZ/NOPB	TO-PMOD	NDW	7	500	367.0	367.0	45.0

NDW0007A



TZA07A (Rev D)

IMPORTANT NOTICE AND DISCLAIMER

TI PROVIDES TECHNICAL AND RELIABILITY DATA (INCLUDING DATASHEETS), DESIGN RESOURCES (INCLUDING REFERENCE DESIGNS), APPLICATION OR OTHER DESIGN ADVICE, WEB TOOLS, SAFETY INFORMATION, AND OTHER RESOURCES "AS IS" AND WITH ALL FAULTS, AND DISCLAIMS ALL WARRANTIES, EXPRESS AND IMPLIED, INCLUDING WITHOUT LIMITATION ANY IMPLIED WARRANTIES OF MERCHANTABILITY, FITNESS FOR A PARTICULAR PURPOSE OR NON-INFRINGEMENT OF THIRD PARTY INTELLECTUAL PROPERTY RIGHTS.

These resources are intended for skilled developers designing with TI products. You are solely responsible for (1) selecting the appropriate TI products for your application, (2) designing, validating and testing your application, and (3) ensuring your application meets applicable standards, and any other safety, security, or other requirements. These resources are subject to change without notice. TI grants you permission to use these resources only for development of an application that uses the TI products described in the resource. Other reproduction and display of these resources is prohibited. No license is granted to any other TI intellectual property right or to any third party intellectual property right. TI disclaims responsibility for, and you will fully indemnify TI and its representatives against, any claims, damages, costs, losses, and liabilities arising out of your use of these resources.

TI's products are provided subject to TI's Terms of Sale (www.ti.com/legal/termsofsale.html) or other applicable terms available either on ti.com or provided in conjunction with such TI products. TI's provision of these resources does not expand or otherwise alter TI's applicable warranties or warranty disclaimers for TI products.

Mailing Address: Texas Instruments, Post Office Box 655303, Dallas, Texas 75265
Copyright © 2019, Texas Instruments Incorporated

Looking for pricing, stock, or lifecycle information?

Click below to explore more details on WIN SOURCE:

- ⊖ [View LMZ10504EXTTZE/NOPB on WIN SOURCE](#)
- ⊖ [Texas Instruments](#) Information

Optimize Your Supply Chain with WIN SOURCE Solutions

- ✓ Global Sourcing Solution
- ✓ Obsolete Management
- ✓ Cost Control Management
- ✓ Shortage Management
- ✓ Alternative Solution
- ✓ Excess Inventory Management