



# THE DATASHEET OF LMV393IDT





# LMV331, LMV393, LMV339

## General-purpose low voltage comparators

### Features

- Supply operation from 2.7 to 5 V
- Low current consumption: 20  $\mu$ A
- Input common mode range includes ground
- Wide temperature range: -40°C to +85°C
- Low output saturation voltage
- Propagation delay: 200 ns
- Open drain output
- ESD tolerance: 2 kV HBM / 200 V MM
- SMD packages

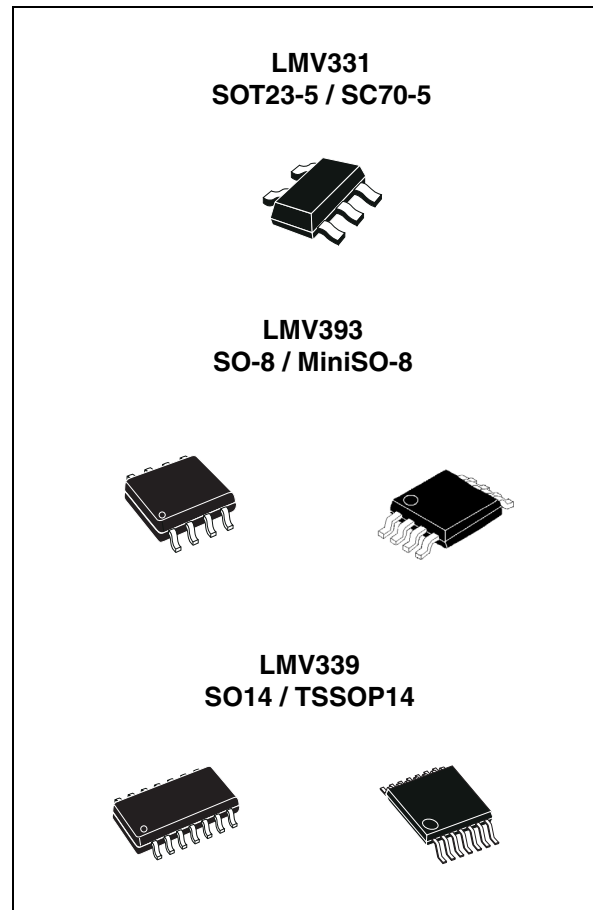
### Applications

- Mobile phones
- Notebooks and PDAs
- Battery supplied electronics
- General-purpose portable devices
- General-purpose low voltage applications

### Description

The LMV331, LMV393 and LMV339 are the single/dual/quad and low voltage versions of the industry standard LM339 and LM393. They can operate with a supply voltage ranging from 2.7 to 5 V, and exhibit a lower current consumption than their predecessors LM339 and LM393. These devices are a perfect choice for low-voltage applications.

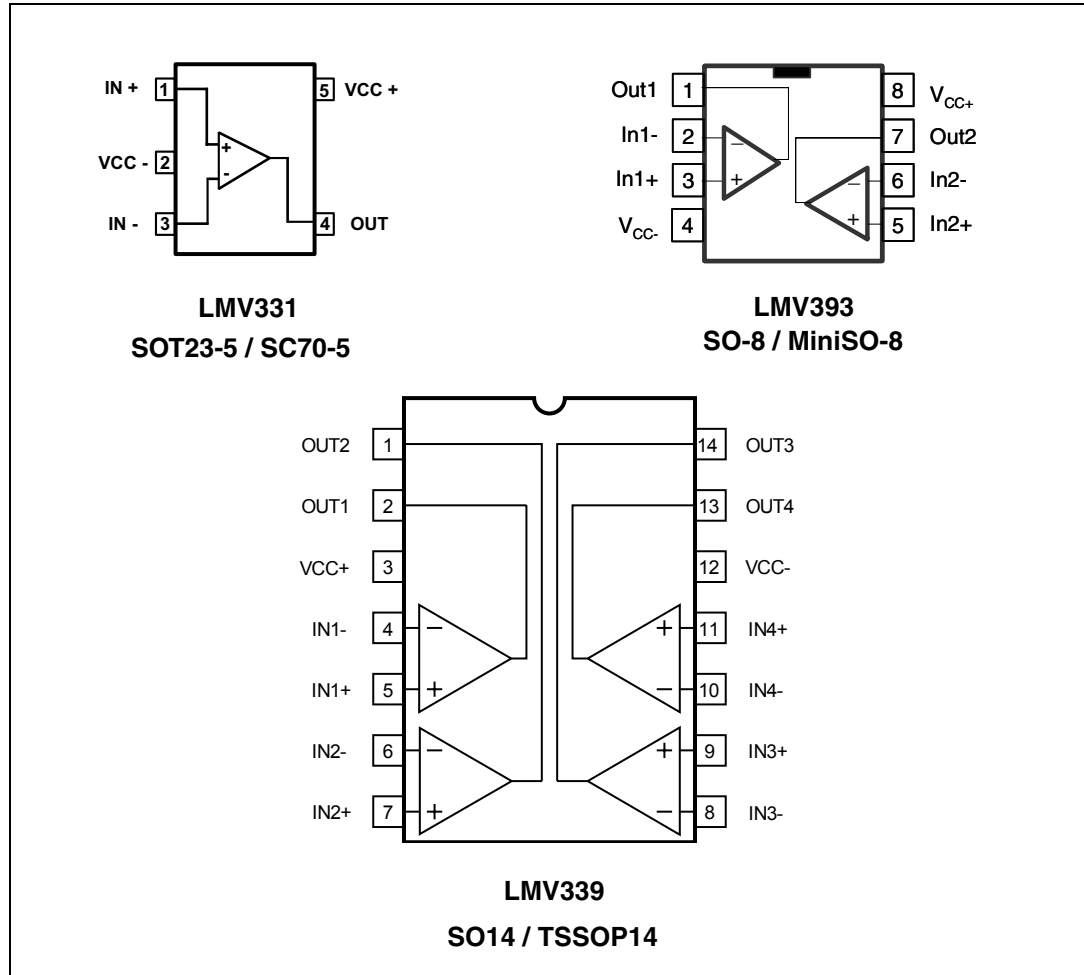
The LMV3xx are available in tiny packages, making them ideal for applications where space saving is a constraint.



The devices are designed to operate in the temperature range of -40°C to +85°C and are suitable for a variety of applications.

# 1 Package pin connections

Figure 1. Pin connections for each package (top view)



## 2 Absolute maximum ratings and operating conditions

**Table 1. Absolute maximum ratings**

Symbol	Parameter	Value	Unit
$V_{CC}$	Supply voltage <sup>(1)</sup>	5.5	V
$V_{ID}$	Differential input voltage	± 5.5	V
$V_{IN}$	Input voltage range	$(V_{CC-}) - 0.3$ to $(V_{CC+}) + 0.3$	V
$V_{out}$	Output voltage <sup>(1)</sup>	5.5	V
$R_{thja}$	Thermal resistance junction to ambient <sup>(2)</sup>		°C/W
	SC70-5	205	
	SOT23-5	250	
	SO-8	125	
	MiniSO-8	190	
	SO14	105	
$R_{thjc}$	Thermal resistance junction to case <sup>(2)</sup>		°C/W
	SC70-5	172	
	SOT23-5	81	
	SO-8	40	
	MiniSO-8	39	
	SO14	31	
	TSSOP14	32	
$T_{stg}$	Storage temperature	-65 to +150	°C
$T_j$	Junction temperature	150	°C
$T_{LEAD}$	Lead temperature (soldering 10 seconds)	260	°C
ESD	Human body model (HBM) <sup>(3)</sup>	2000	V
	Machine model (MM) <sup>(4)</sup>	200	
	Charged device model (CDM) <sup>(5)</sup>	1500	
	Latch-up immunity	200	mA

1. All voltage values, except the differential voltage, are referenced to  $V_{CC-}$ .
2. Short-circuits can cause excessive heating. These values are typical.
3. Human body model: a 100 pF capacitor is charged to the specified voltage, then discharged through a 1.5 k $\Omega$  resistor between two pins of the device. This is done for all couples of connected pin combinations while the other pins are floating.
4. Machine model: a 200 pF capacitor is charged to the specified voltage, then discharged directly between two pins of the device with no external series resistor (internal resistor < 5  $\Omega$ ). This is done for all couples of connected pin combinations while the other pins are floating.
5. Charged device model: all pins and package are charged together to the specified voltage and then discharged directly to ground through only one pin. This is done for all pins.

**Table 2. Operating conditions**

Symbol	Parameter	Value	Unit
$T_{oper}$	Operating temperature range	-40 to +85	°C
$V_{CC}$	Supply voltage -40°C < $T_{amb}$ < +85°C	2.7 to 5.0	V

### 3 Electrical characteristics

**Table 3.**  $V_{CC}^+ = +2.7\text{ V}$ ,  $V_{CC}^- = 0\text{ V}$ ,  $T_{amb} = +25^\circ\text{ C}$ , full  $V_{ICM}$  range (unless otherwise specified)<sup>(1)</sup>

Symbol	Parameter	Test conditions	Min.	Typ.	Max.	Unit
$V_{IO}$	Input offset voltage			1	7	mV
$\Delta V_{IO}$	Input offset voltage drift	$-40^\circ\text{C} < T_{amb} < +85^\circ\text{C}$		5		$\mu\text{V}/^\circ\text{C}$
$I_{IB}$	Input bias current <sup>(2)</sup>	$-40^\circ\text{C} < T_{amb} < +85^\circ\text{C}$		25	250 400	nA
$I_{IO}$	Input offset current <sup>(2)</sup>	$-40^\circ\text{C} < T_{amb} < +85^\circ\text{C}$		1	50 150	nA
$V_{ICM}$	Common mode input voltage			-0.1 2.0		V
$V_{OL}$	Output voltage low	$I_{SINK} = 1\text{ mA}$		20		mV
$I_{SINK}$	Output sink current	$V_{OUT} = 1.5\text{ V}$	5	47		mA
$I_{CC}$	Supply current	No load, output high, $V_{ICM} = 0\text{ V}$		20	100	$\mu\text{A}$
$I_{OH}$	Output current leakage	$-40^\circ\text{C} < T_{amb} < +85^\circ\text{C}$		0.003	1	$\mu\text{A}$
$TP_{HL}$	Propagation delay High to low output level	$V_{ICM} = 0\text{ V}$ , $R_L = 5.1\text{ k}\Omega$ , $C_L = 50\text{ pF}$ Overdrive = 10 mV Overdrive = 100 mV		300 200		ns
$TP_{LH}$	Propagation delay Low to high output level	$V_{ICM} = 0\text{ V}$ , $R_L = 5.1\text{ k}\Omega$ , $C_L = 50\text{ pF}$ Overdrive = 10 mV Overdrive = 100 mV		550 400		ns

1. All values over the temperature range are guaranteed through correlation and simulation. No production tests have been performed at the temperature range limits.
2. Maximum values include unavoidable inaccuracies of the industrial tests.

Table 4.  $V_{CC}^+ = +5\text{ V}$ ,  $V_{CC}^- = 0\text{ V}$ ,  $T_{amb} = +25^\circ\text{C}$ , full  $V_{ICM}$  range (unless otherwise specified)<sup>(1)</sup>

Symbol	Parameter	Test conditions	Min.	Typ.	Max.	Unit
$V_{IO}$	Input offset voltage	$-40^\circ\text{C} < T_{amb} < +85^\circ\text{C}$		1	7 9	mV
$\Delta V_{IO}$	Input offset voltage drift	$-40^\circ\text{C} < T_{amb} < +85^\circ\text{C}$		5		$\mu\text{V}/^\circ\text{C}$
$I_{IB}$	Input bias current <sup>(2)</sup>	$-40^\circ\text{C} < T_{amb} < +85^\circ\text{C}$		25	250 400	nA
$I_{IO}$	Input offset current <sup>(2)</sup>	$-40^\circ\text{C} < T_{amb} < +85^\circ\text{C}$		2	50 150	nA
$V_{ICM}$	Common mode input voltage			-0.1		V
				4.2		
$A_V$	Voltage gain		20	50		V/mV
$V_{OL}$	Output voltage low	$I_{SINK} < 4\text{ mA}$ $-40^\circ\text{C} < T_{amb} < +85^\circ\text{C}$		50	400 700	mV
$I_{SINK}$	Output sink current	$V_{OUT} < 1.5\text{ V}$	10	93		mA
$I_{CC}$	Supply current	No load, output high, $V_{ICM} = 0\text{ V}$ $-40^\circ\text{C} < T_{amb} < +85^\circ\text{C}$		25	120 150	$\mu\text{A}$
$I_{OH}$	Output current leakage	$-40^\circ\text{C} < T_{amb} < +85^\circ\text{C}$		0.003	1	$\mu\text{A}$
$TP_{HL}$	Propagation delay High to low output level	$V_{ICM} = 0\text{ V}$ , $R_L = 5.1\text{ k}\Omega$ , $C_L = 50\text{ pF}$ Overdrive = 10 mV Overdrive = 100 mV		375		ns
				275		
$TP_{LH}$	Propagation delay Low to high output level	$V_{ICM} = 0\text{ V}$ , $R_L = 5.1\text{ k}\Omega$ , $C_L = 50\text{ pF}$ Overdrive = 10 mV Overdrive = 100 mV		550		ns
				425		

1. All values over the temperature range are guaranteed through correlation and simulation. No production tests have been performed at the temperature range limits.
2. Maximum values include unavoidable inaccuracies of the industrial tests.

Figure 2. Supply current versus supply voltage with output high

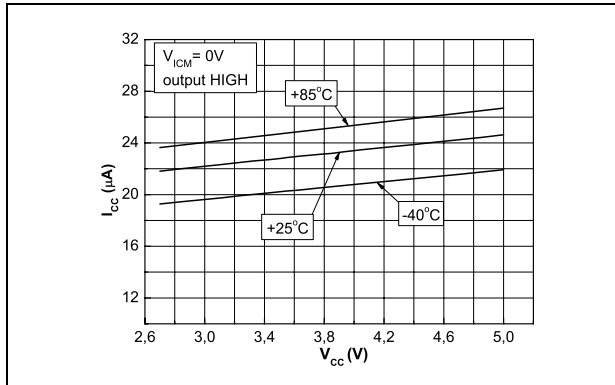


Figure 3. Supply current versus supply voltage with output low

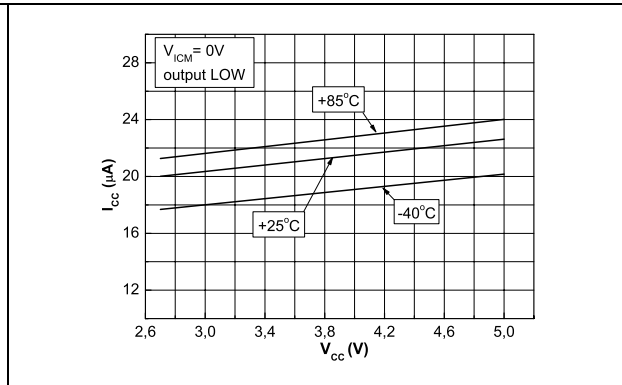


Figure 4. Output voltage versus output current at 5 V supply

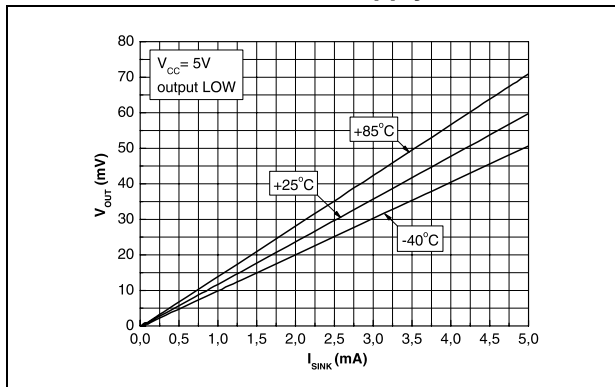


Figure 5. Output voltage versus output current at 2.7 V supply

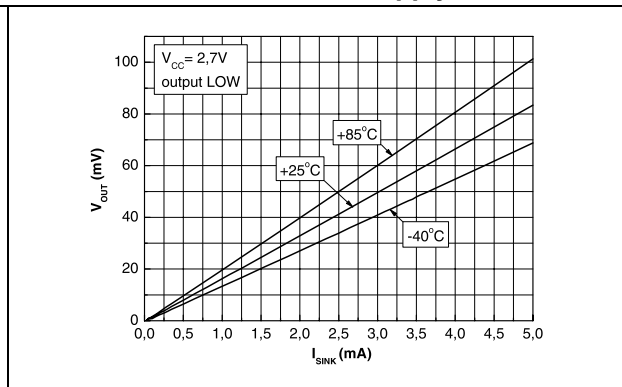


Figure 6. Input bias current versus supply voltage

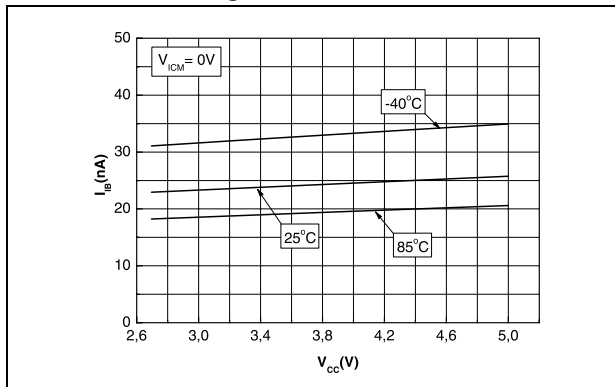
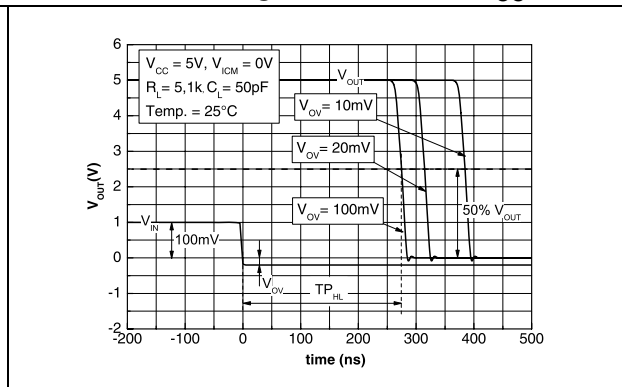
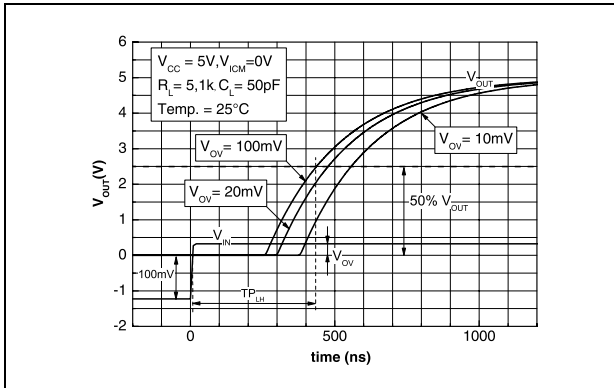


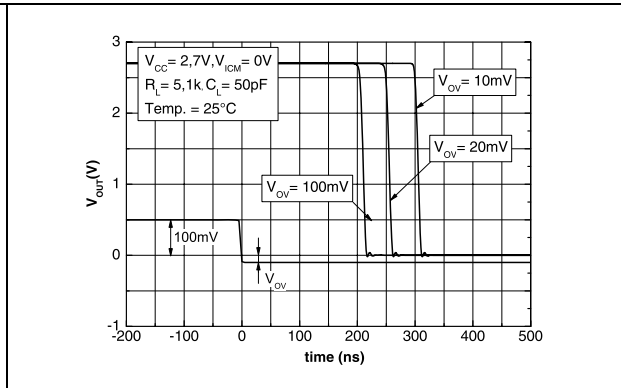
Figure 7. Response time versus overdrive with negative transition, V<sub>CC</sub> = 5 V



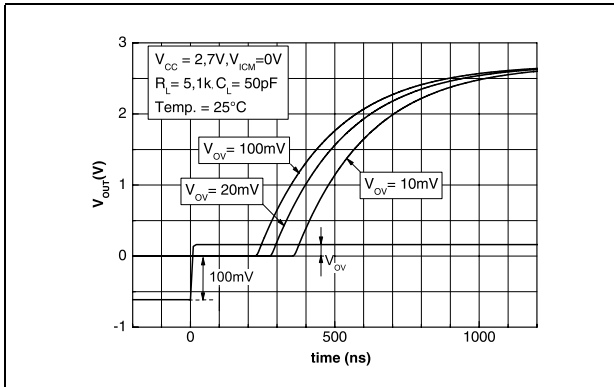
**Figure 8. Response time versus overdrive with positive transition,  $V_{CC} = 5\text{ V}$**



**Figure 9. Response time versus overdrive with negative transition,  $V_{CC} = 2.7\text{ V}$**



**Figure 10. Response time versus overdrive with positive transition,  $V_{CC} = 2.7\text{ V}$**



## 4 Package information

In order to meet environmental requirements, ST offers these devices in different grades of ECOPACK<sup>®</sup> packages, depending on their level of environmental compliance. ECOPACK<sup>®</sup> specifications, grade definitions and product status are available at: [www.st.com](http://www.st.com). ECOPACK<sup>®</sup> is an ST trademark.

## 4.1 SOT23-5 package

Figure 11. SOT23-5 package mechanical drawing

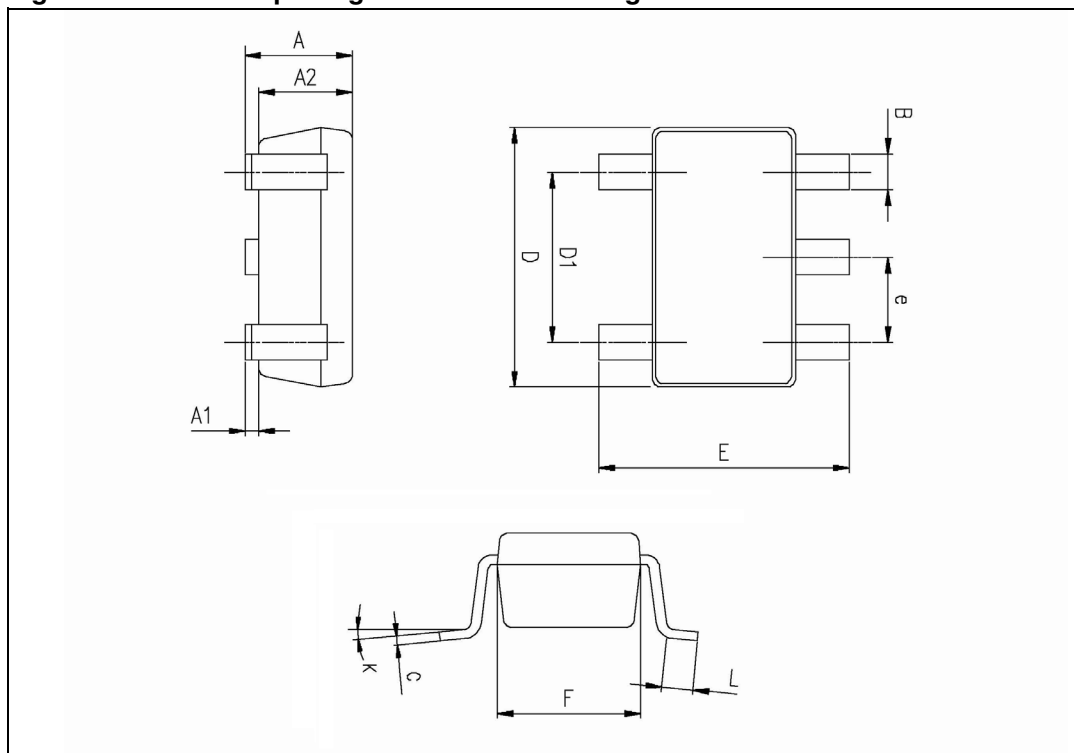


Table 5. SOT23-5 package mechanical data

Ref.	Dimensions					
	Millimeters			Inches		
	Min.	Typ.	Max.	Min.	Typ.	Max.
A	0.90	1.20	1.45	0.035	0.047	0.057
A1			0.15			0.006
A2	0.90	1.05	1.30	0.035	0.041	0.051
B	0.35	0.40	0.50	0.013	0.015	0.019
C	0.09	0.15	0.20	0.003	0.006	0.008
D	2.80	2.90	3.00	0.110	0.114	0.118
D1		1.90			0.075	
e		0.95			0.037	
E	2.60	2.80	3.00	0.102	0.110	0.118
F	1.50	1.60	1.75	0.059	0.063	0.069
L	0.10	0.35	0.60	0.004	0.013	0.023
K	0 degrees		10 degrees			

## 4.2 SC70-5 (SOT323-5) package

Figure 12. SC70-5 (SOT323-5) package mechanical drawing

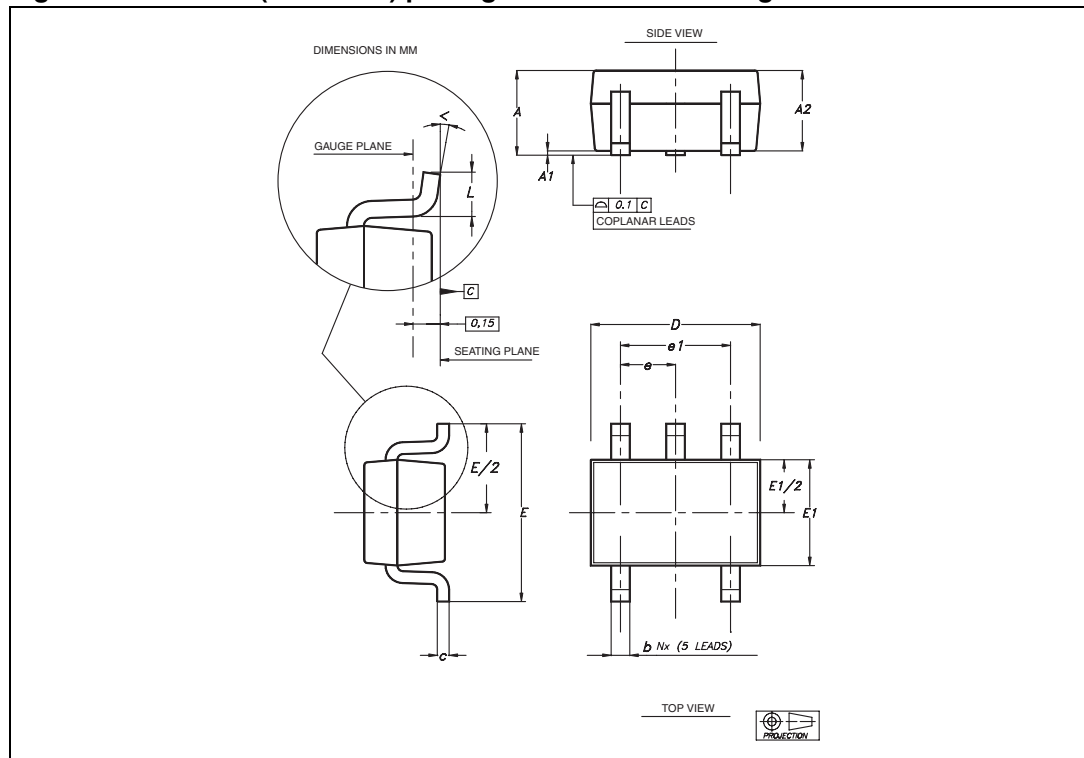


Table 6. SC70-5 (or SOT323-5) package mechanical data

Ref	Dimensions					
	Millimeters			Inches		
	Min	Typ	Max	Min	Typ	Max
A	0.80		1.10	0.315		0.043
A1			0.10			0.004
A2	0.80	0.90	1.00	0.315	0.035	0.039
b	0.15		0.30	0.006		0.012
c	0.10		0.22	0.004		0.009
D	1.80	2.00	2.20	0.071	0.079	0.087
E	1.80	2.10	2.40	0.071	0.083	0.094
E1	1.15	1.25	1.35	0.045	0.049	0.053
e		0.65			0.025	
e1		1.30			0.051	
L	0.26	0.36	0.46	0.010	0.014	0.018
<	0°		8°			

### 4.3 SO-8 package information

Figure 13. SO-8 package mechanical drawing

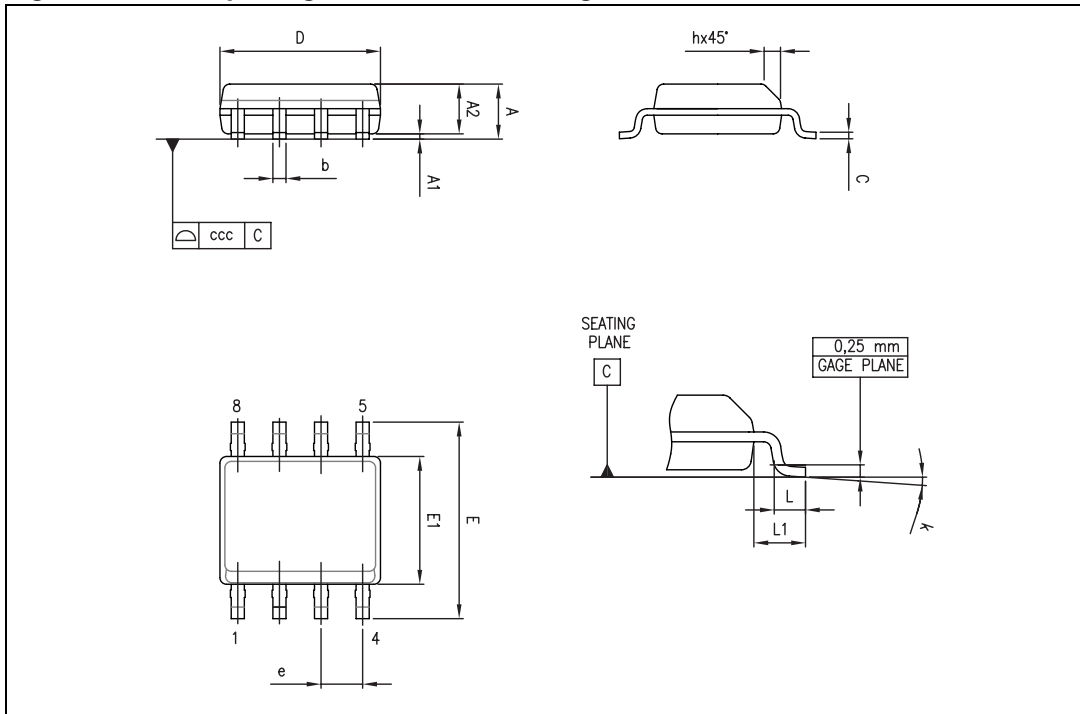


Table 7. SO-8 package mechanical data

Ref.	Dimensions					
	Millimeters			Inches		
	Min.	Typ.	Max.	Min.	Typ.	Max.
A			1.75			0.069
A1	0.10		0.25	0.004		0.010
A2	1.25			0.049		
b	0.28		0.48	0.011		0.019
c	0.17		0.23	0.007		0.010
D	4.80	4.90	5.00	0.189	0.193	0.197
E	5.80	6.00	6.20	0.228	0.236	0.244
E1	3.80	3.90	4.00	0.150	0.154	0.157
e		1.27			0.050	
h	0.25		0.50	0.010		0.020
L	0.40		1.27	0.016		0.050
L1		1.04			0.040	
k	0		8°	1°		8°
ccc			0.10			0.004

### 4.4 MiniSO-8 package information

Figure 14. MiniSO-8 package mechanical drawing

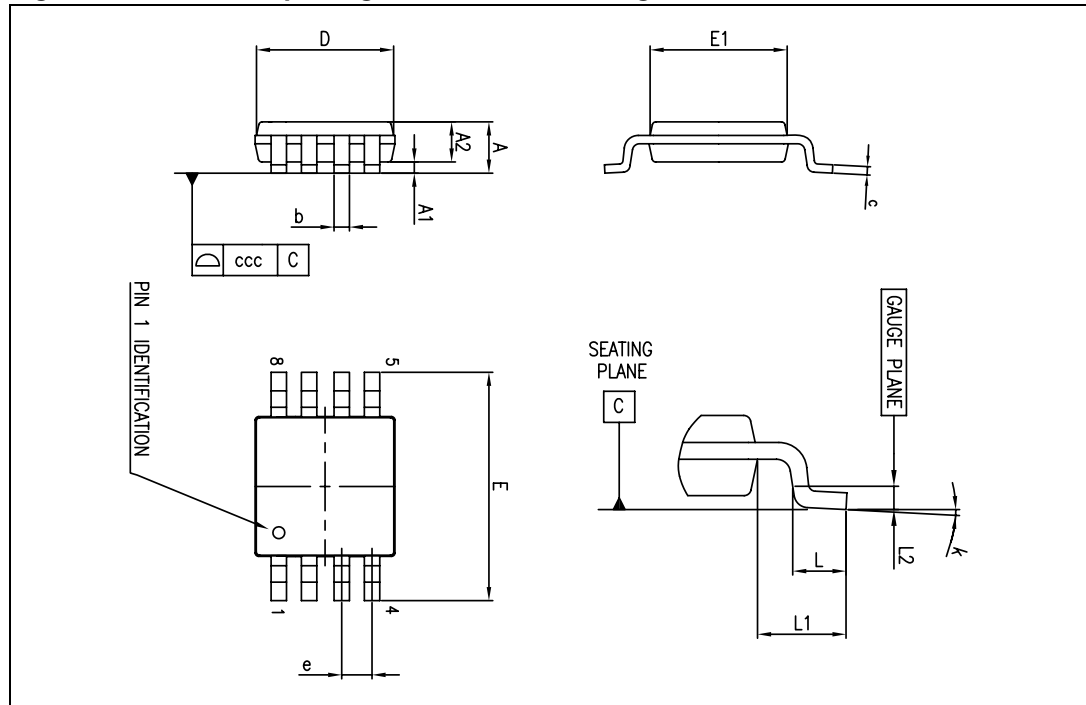


Table 8. MiniSO-8 package mechanical data

Ref.	Dimensions					
	Millimeters			Inches		
	Min.	Typ.	Max.	Min.	Typ.	Max.
A			1.1			0.043
A1	0		0.15	0		0.006
A2	0.75	0.85	0.95	0.030	0.033	0.037
b	0.22		0.40	0.009		0.016
c	0.08		0.23	0.003		0.009
D	2.80	3.00	3.20	0.11	0.118	0.126
E	4.65	4.90	5.15	0.183	0.193	0.203
E1	2.80	3.00	3.10	0.11	0.118	0.122
e		0.65			0.026	
L	0.40	0.60	0.80	0.016	0.024	0.031
L1		0.95			0.037	
L2		0.25			0.010	
k	0°		8°	0°		8°
ccc			0.10			0.004

## 4.5 SO-14 package information

Figure 15. SO-14 package mechanical drawing

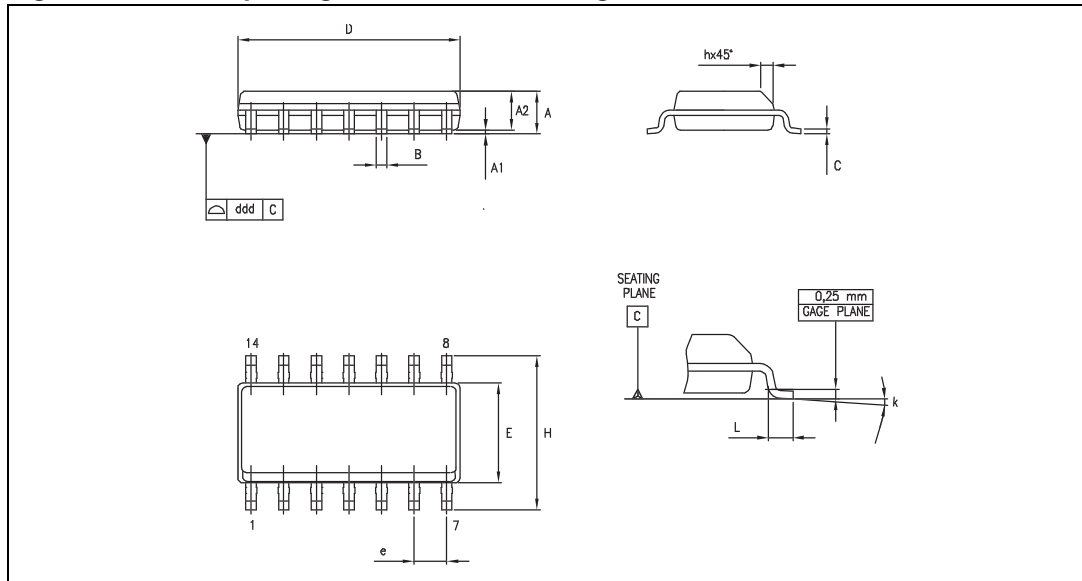


Table 9. SO-14 package mechanical data

Dimensions						
Ref.	Millimeters			Inches		
	Min.	Typ.	Max.	Min.	Typ.	Max.
A	1.35		1.75	0.05		0.068
A1	0.10		0.25	0.004		0.009
A2	1.10		1.65	0.04		0.06
B	0.33		0.51	0.01		0.02
C	0.19		0.25	0.007		0.009
D	8.55		8.75	0.33		0.34
E	3.80		4.0	0.15		0.15
e		1.27			0.05	
H	5.80		6.20	0.22		0.24
h	0.25		0.50	0.009		0.02
L	0.40		1.27	0.015		0.05
k	8° (max.)					
ddd			0.10			0.004

### 4.6 TSSOP14 package information

Figure 16. TSSOP14 package mechanical drawing

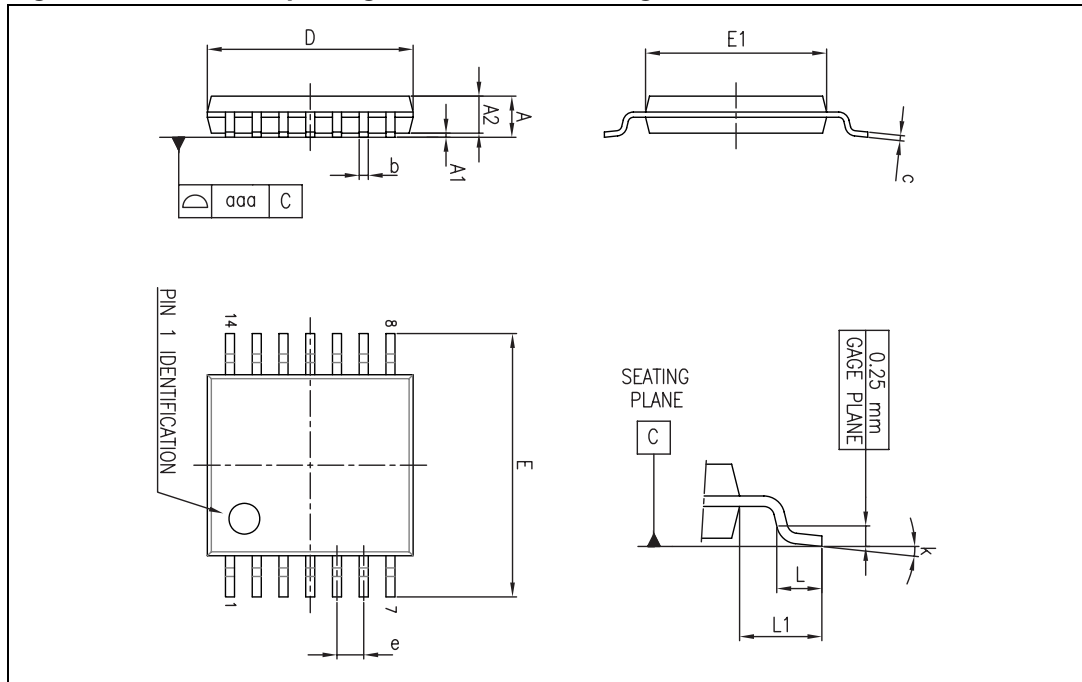


Table 10. TSSOP14 package mechanical data

Ref.	Dimensions					
	Millimeters			Inches		
	Min.	Typ.	Max.	Min.	Typ.	Max.
A			1.20			0.047
A1	0.05		0.15	0.002	0.004	0.006
A2	0.80	1.00	1.05	0.031	0.039	0.041
b	0.19		0.30	0.007		0.012
c	0.09		0.20	0.004		0.0089
D	4.90	5.00	5.10	0.193	0.197	0.201
E	6.20	6.40	6.60	0.244	0.252	0.260
E1	4.30	4.40	4.50	0.169	0.173	0.176
e		0.65			0.0256	
L	0.45	0.60	0.75	0.018	0.024	0.030
L1		1.00			0.039	
k	0°		8°	0°		8°
aaa			0.10			0.004

## 5 Ordering information

Table 11. Order codes

Part number	Temperature range	Package	Packaging	Marking
LMV331ILT	-40°C, +85°C	SOT23-5	Tape & reel	K503
LMV331ICT		SC70-5		K50
LMV393IDT		SO-8		393I
LMV393IST		MiniSO-8		K508
LMV339IDT		SO14		339I
LMV339IPT		TSSOP14		339I

## 6 Revision history

**Table 12. Document revision history**

Date	Revision	Changes
08-Dec-2009	1	Initial release.
03-May-2010	2	Corrected I <sub>cc</sub> unit in <a href="#">Figure 2</a> and <a href="#">Figure 3</a> .
12-Dec-2011	3	<ul style="list-style-type: none"><li>– Added LMV393 and LMV339 devices to the datasheet.</li><li>– Added V<sub>out</sub> parameter in <a href="#">Table 1: Absolute maximum ratings</a>.</li><li>– Removed note "The magnitude of input and output voltages must never exceed the supply rail ±0.3 V." from <a href="#">Table 1</a>.</li></ul>

**Please Read Carefully:**

Information in this document is provided solely in connection with ST products. STMicroelectronics NV and its subsidiaries ("ST") reserve the right to make changes, corrections, modifications or improvements, to this document, and the products and services described herein at any time, without notice.

All ST products are sold pursuant to ST's terms and conditions of sale.

Purchasers are solely responsible for the choice, selection and use of the ST products and services described herein, and ST assumes no liability whatsoever relating to the choice, selection or use of the ST products and services described herein.

No license, express or implied, by estoppel or otherwise, to any intellectual property rights is granted under this document. If any part of this document refers to any third party products or services it shall not be deemed a license grant by ST for the use of such third party products or services, or any intellectual property contained therein or considered as a warranty covering the use in any manner whatsoever of such third party products or services or any intellectual property contained therein.

**UNLESS OTHERWISE SET FORTH IN ST'S TERMS AND CONDITIONS OF SALE ST DISCLAIMS ANY EXPRESS OR IMPLIED WARRANTY WITH RESPECT TO THE USE AND/OR SALE OF ST PRODUCTS INCLUDING WITHOUT LIMITATION IMPLIED WARRANTIES OF MERCHANTABILITY, FITNESS FOR A PARTICULAR PURPOSE (AND THEIR EQUIVALENTS UNDER THE LAWS OF ANY JURISDICTION), OR INFRINGEMENT OF ANY PATENT, COPYRIGHT OR OTHER INTELLECTUAL PROPERTY RIGHT.**

**UNLESS EXPRESSLY APPROVED IN WRITING BY TWO AUTHORIZED ST REPRESENTATIVES, ST PRODUCTS ARE NOT RECOMMENDED, AUTHORIZED OR WARRANTED FOR USE IN MILITARY, AIR CRAFT, SPACE, LIFE SAVING, OR LIFE SUSTAINING APPLICATIONS, NOR IN PRODUCTS OR SYSTEMS WHERE FAILURE OR MALFUNCTION MAY RESULT IN PERSONAL INJURY, DEATH, OR SEVERE PROPERTY OR ENVIRONMENTAL DAMAGE. ST PRODUCTS WHICH ARE NOT SPECIFIED AS "AUTOMOTIVE GRADE" MAY ONLY BE USED IN AUTOMOTIVE APPLICATIONS AT USER'S OWN RISK.**

Resale of ST products with provisions different from the statements and/or technical features set forth in this document shall immediately void any warranty granted by ST for the ST product or service described herein and shall not create or extend in any manner whatsoever, any liability of ST.

ST and the ST logo are trademarks or registered trademarks of ST in various countries.

Information in this document supersedes and replaces all information previously supplied.

The ST logo is a registered trademark of STMicroelectronics. All other names are the property of their respective owners.

© 2011 STMicroelectronics - All rights reserved



STMicroelectronics group of companies

Australia - Belgium - Brazil - Canada - China - Czech Republic - Finland - France - Germany - Hong Kong - India - Israel - Italy - Japan - Malaysia - Malta - Morocco - Philippines - Singapore - Spain - Sweden - Switzerland - United Kingdom - United States of America

[www.st.com](http://www.st.com)

## Looking for pricing, stock, or lifecycle information?

Click below to explore more details on WIN SOURCE:

-  [View LMV393IDT on WIN SOURCE](#)
-  [STMicroelectronics](#) Information

## Optimize Your Supply Chain with WIN SOURCE Solutions

-  Global Sourcing Solution
-  Obsolete Management
-  Cost Control Management
-  Shortage Management
-  Alternative Solution
-  Excess Inventory Management