



**THE DATASHEET OF
LMV111M5X**



LMV111

LMV111 Operational Amplifier with Bias Network
*Operational Amplifier with
Bias Network*



Literature Number: SNOS503C

LMV111

Operational Amplifier with Bias Network

General Description

The LMV111 integrates a rail-to-rail op amp with a $V^+/2$ bias circuit into one ultra tiny package, SC70-5 or SOT23-5. The core op amp of the LMV111 is an LMV321, which provides rail-to-rail output swing, excellent speed-power ratio, 1MHz bandwidth, and $1V/\mu s$ of slew rate with low supply current.

The LMV111 reduces external component count. It is a cost effective solution for applications where low voltage operation, low power consumption, space saving, and reliable performance are needed. It enables the design of small portable electronic devices, and allows the designer to place the device closer to the signal source to reduce noise pickup and increase signal integrity.

Features

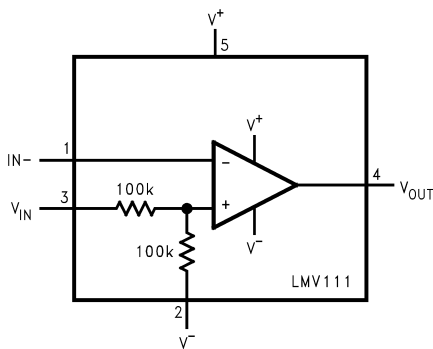
(For 5V Supply, Typical Unless Otherwise Noted)

- Resistor ratio matching 1% (typ)
- Space saving package SC70-5 & SOT23-5
- Industrial temp. range $-40^{\circ}C$ to $+85^{\circ}C$
- Low supply current 130 μA
- Gain-bandwidth product 1MHz
- Rail-to-Rail output swing
- Guaranteed 2.7V and 5V performance

Applications

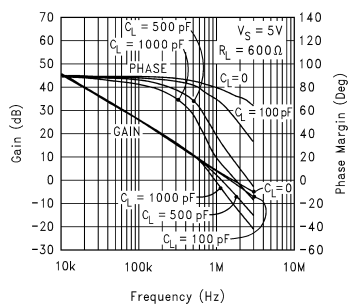
- General purpose portable devices
- Active filters
- Mobile communications
- Battery powered electronics
- Microphone preamplifiers

Connection Diagram

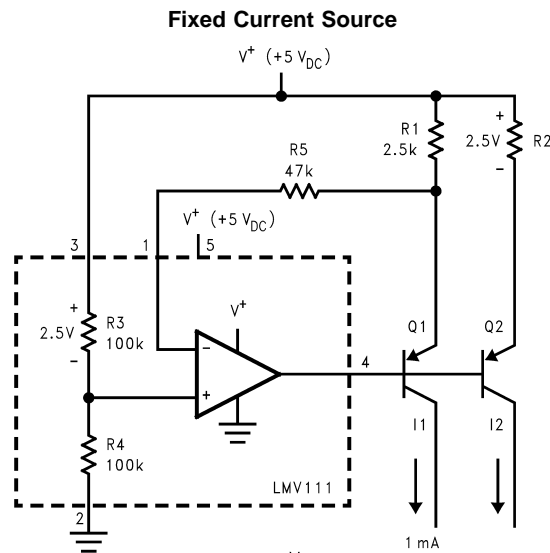


DS101262-21

Gain and Phase vs. Capacitive Load



DS101262-9



$$I_1 \approx I_{E1} = \frac{V_{REF}}{R_1}$$

$$I_2 = \frac{R_1}{R_2} I_1$$

DS101262-25

Absolute Maximum Ratings (Note 1)

If Military/Aerospace specified devices are required, please contact the National Semiconductor Sales Office/ Distributors for availability and specifications.

ESD Tolerance (Note 2)	
Machine Model	200V
Human Body Model	1500V
Supply Voltage ($V^+ - V^-$)	5.5V
Output Short Circuit to V^+	(Note 3)
Output Short Circuit to V^-	(Note 4)
Storage Temp. Range	-65°C to 150°C

Junction Temp. (T_J max) (Note 5)	150°C
Mounting Temperature	
Infrared or Convection (20 sec)	235°C

Operating Ratings (Note 1)

Supply Voltage	2.7V to 5.0V
Temperature Range	-40°C ≤ T_J ≤ 85°C
Thermal Resistance (θ_{JA})	
5-pin SC70-5	478°C/W
5-pin SOT23-5	265°C/W

2.7V Electrical Characteristics

Unless otherwise specified, all limits guaranteed for $T_J = 25^\circ\text{C}$, $V^+ = 2.7\text{V}$, $V^- = 0\text{V}$, $V_O = V^+/2$ and $R_L > 1\text{M}\Omega$. **Boldface** limits apply at the temperature extremes.

Symbol	Parameter	Conditions	Typ (Note 6)	Limit (Note 7)	Units
V_O	Output Swing	$R_L = 10\text{k}\Omega$ to 1.35V	$V^+ - 0.01$	$V^+ - 0.1$	V min
			0.06	0.18	V max
I_S	Supply Current		80	170	μA max
	Resistor Ratio Matching		1		%
GBWP	Gain-Bandwidth Product	$C_L = 200\text{pF}$	1		MHz
Φ_m	Phase Margin		60		Deg
G_m	Gain Margin		10		dB

5V Electrical Characteristics

Unless otherwise specified, all limits guaranteed for $T_J = 25^\circ\text{C}$, $V^+ = 5\text{V}$, $V^- = 0\text{V}$, $V_O = V^+/2$ and $R_L > 1\text{M}\Omega$. **Boldface** limits apply at the temperature extremes.

Symbol	Parameter	Conditions	Typ (Note 6)	Limit (Note 7)	Units
V_O	Output Swing	$R_L = 2\text{k}\Omega$ to 2.5V	$V^+ - 0.04$	$V^+ - 0.3$	V min
			0.12	0.3	V max
		$R_L = 10\text{k}\Omega$ to 2.5V	$V^+ - 0.01$	$V^+ - 0.1$	V min
			0.065	0.18	V max
I_O	Output Current	Sourcing, $V_O = 0\text{V}$	60	5	mA min
		Sinking, $V_O = 5\text{V}$	160	10	mA min
I_S	Supply Current		130	250	μA max
	Resistor Ratio Matching		1		%
GBWP	Gain-Bandwidth Product	$C_L = 200\text{pF}$	1		MHz
ϕ_m	Phase Margin		60		Deg
G_m	Gain Margin		10		dB
SR	Slew Rate	(Note 8)	1		V/ μs

Note 1: Absolute Maximum Ratings indicate limits beyond which damage to the device may occur. Operating Ratings indicate conditions for which the device is intended to be functional, but specific performance is not guaranteed. For guaranteed specifications and the test conditions, see the Electrical Characteristics.

Note 2: Human body model, 1.5k Ω in series with 100pF. Machine model, 0 Ω in series with 100pF.

5V Electrical Characteristics (Continued)

Note 3: Shorting circuit output to V^+ will adversely affect reliability.

Note 4: Shorting circuit output to V^- will adversely affect reliability.

Note 5: The maximum power dissipation is a function of $T_{J(max)}$, θ_{JA} , and T_A . The maximum allowable power dissipation at any ambient temperature is $P_D = (T_{J(max)} - T_A) / \theta_{JA}$. All numbers apply for packages soldered directly into a PC board.

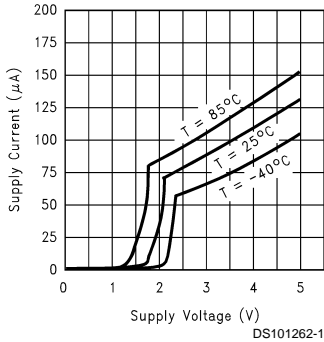
Note 6: Typical values represent the most likely parametric norm.

Note 7: All limits are guaranteed by testing or statistical analysis.

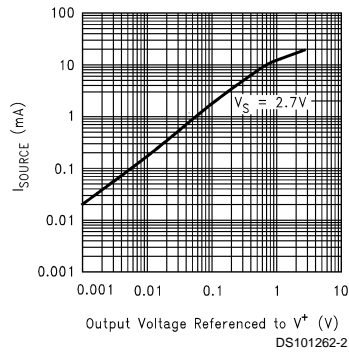
Note 8: Connected as voltage follower with 3V step input. Number specified is the slower of the positive and negative slew rates.

Typical Performance Characteristics (Unless otherwise specified, $V_S = +5V$, single supply, $T_A = 25^\circ C$.)

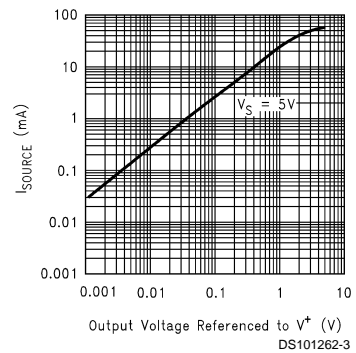
Supply Current vs. Supply Voltage



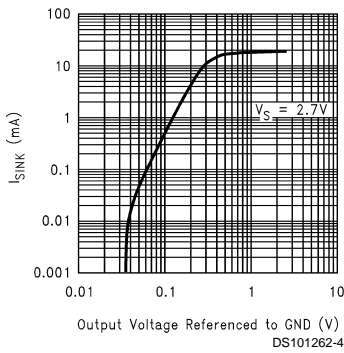
Sourcing Current vs. Output Voltage



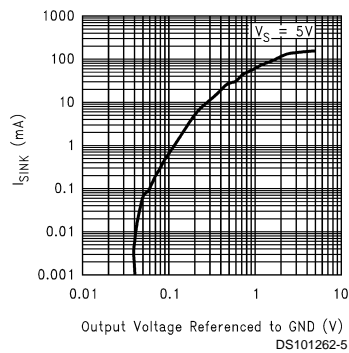
Sourcing Current vs. Output Voltage



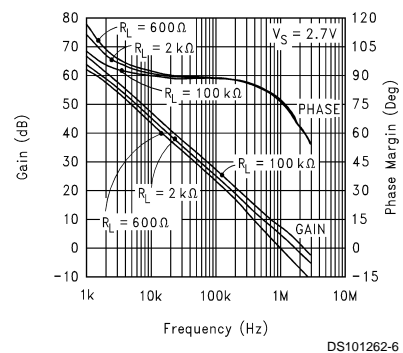
Sinking Current vs. Output Voltage



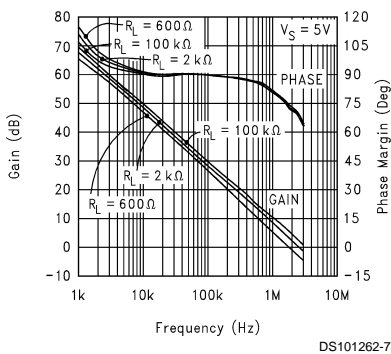
Sinking Current vs. Output Voltage



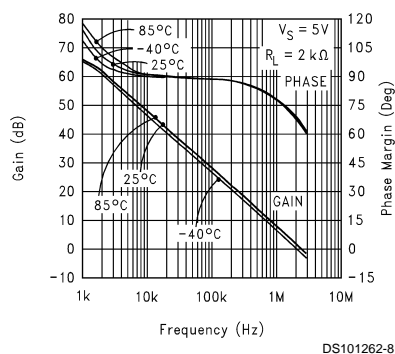
Open Loop Frequency vs. Response



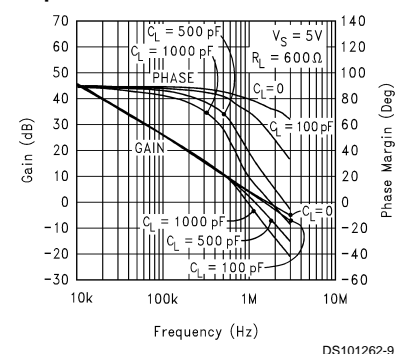
Open Loop Frequency vs. Response



Open Loop Frequency Response vs. Temperature

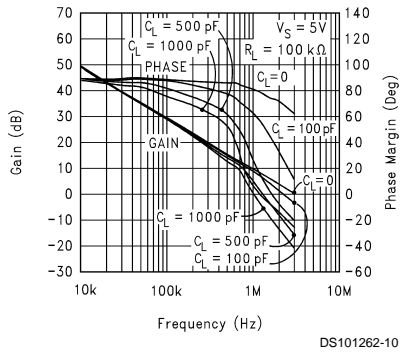


Gain and Phase vs. Capacitive Load

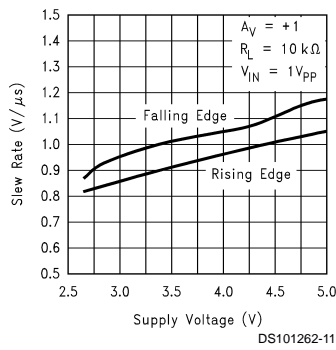


Typical Performance Characteristics (Unless otherwise specified, $V_S = +5V$, single supply, $T_A = 25^\circ C$.) (Continued)

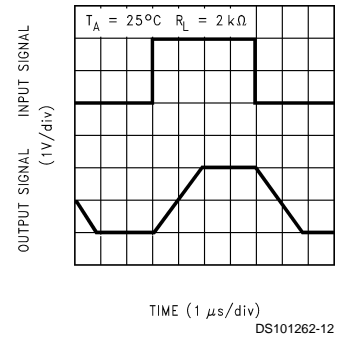
Gain and Phase vs. Capacitive Load



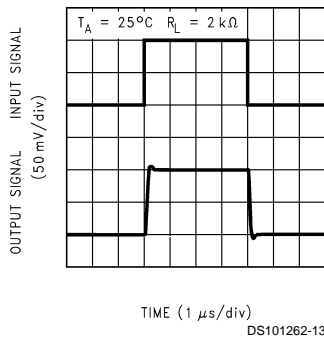
Slew Rate vs. Supply Voltage



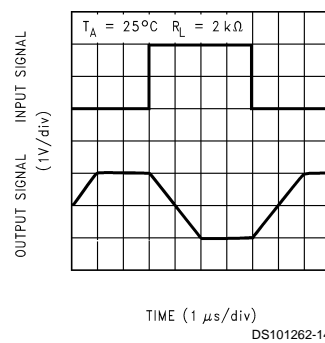
Non-Inverting Large Signal Pulse Response



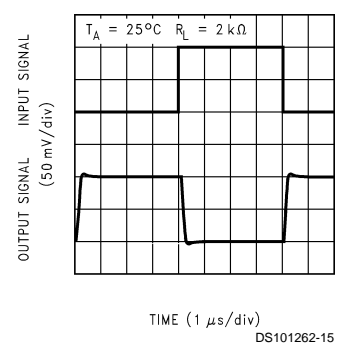
Non-Inverting Small Signal Pulse Response



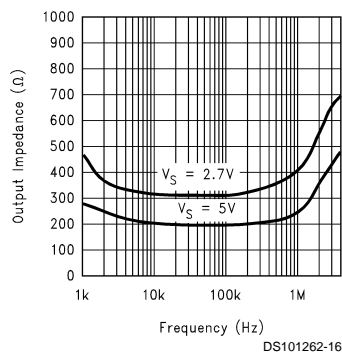
Inverting Large Signal Pulse Response



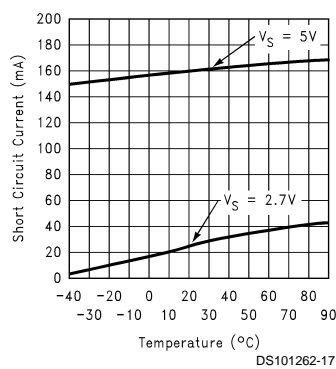
Inverting Small Signal Pulse Response



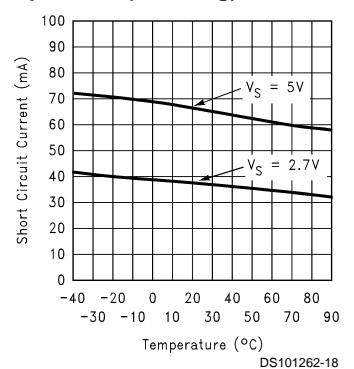
Open Loop Output Impedance vs. Frequency



Short Circuit Current vs. Temperature (Sinking)

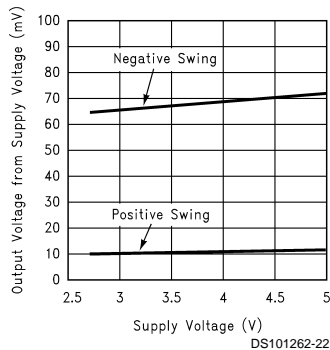


Short Circuit Current vs. Temperature (Sourcing)



Typical Performance Characteristics (Unless otherwise specified, $V_S = +5V$, single supply, $T_A = 25^\circ C$.) (Continued)

Output Voltage Swing vs. Supply Voltage



Application Section

The LMV111 integrates a rail-to-rail op amp and a $V^+/2$ bias circuit into one ultra tiny package. With its small footprint and reduced component count for bias network, it enables the design of smaller portable electronic products, such as cellular phones, pagers, PDAs, PCMCIA cards, etc. In addition, the integration solution minimizes printed circuit board stray capacitance, and reduces the complexity of circuit design.

The core op amp of this family is National's LMV321.

1.0 Supply Bypassing

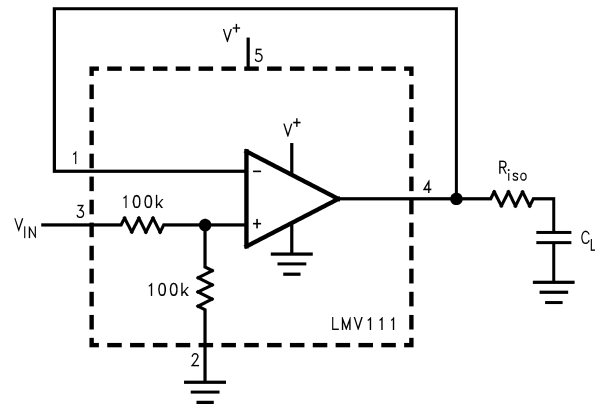
The application circuits in this datasheet do not show the power supply connections and the associated bypass capacitors for simplification. When the circuits are built, it is always required to have bypass capacitors. Ceramic disc capacitors (0.1 μF) or solid tantalum (1 μF) with short leads, and located close to the IC are usually necessary to prevent interstage coupling through the power supply internal impedance. Inadequate bypassing will manifest itself by a low frequency oscillation or by high frequency instabilities. Sometimes, a 10 μF (or larger) capacitor is used to absorb low frequency variations and a smaller 0.1 μF disc is paralleled across it to prevent any high frequency feedback through the power supply lines.

2.0 Input Voltage Range

The input voltage should be within the supply rails. The ESD protection circuitry at the input of the device includes a diode between the input pin and the negative supply pin. Driving the input more than 0.6V (at 25 $^\circ C$) beyond the negative supply will turn on the diode and cause signal distortions.

3.0 Capacitive Load Tolerance

The LMV111 can directly drive 200pF capacitive load with unity gain without oscillation. The unity-gain follower is the most sensitive configuration to capacitive loading. Direct capacitive loading reduces the phase margin of amplifiers. The combination of the amplifier's output impedance and the capacitive load induces phase lag. This results in either an underdamped pulse or oscillation. To drive a heavier capacitive load, a resistive isolation can be used as shown in Figure 1.



DS101262-23

FIGURE 1. Resistive Isolation of a Heavy Capacitive Load

The isolation resistor R_{ISO} and the C_L form a pole to increase stability by adding more phase margin to the overall system. The desired performance depends on the value of R_{ISO} . A 50 Ω to 100 Ω isolation resistor is recommended for initial evaluation. The bigger the R_{ISO} resistor value, the more stable V_{OUT} will be.

Application Section (Continued)

4.0 Phase Inverting AC Amplifier

A single supply phase inverting AC amplifier is shown in Figure 2. The output voltage is biased at mid-supply, and AC input signal is amplified by (R_2/R_1) . Capacitor C_{IN} acts as an input AC coupling capacitor to block DC potentials. A capacitor of $0.1\mu\text{F}$ or larger can be used. The output of the LMV111 can swing rail-to-rail. To avoid output distortion, the peak-to-peak amplitude of the input AC signal should be less than $V_{CC}(R_1/R_2)$.

It is recommended that a small-valued capacitor is used across the feedback resistor R_2 to eliminate stability problems, prevent peaking of the response, and limit the bandwidth of the circuit. This can also help to reduce high frequency noise and some other interference.

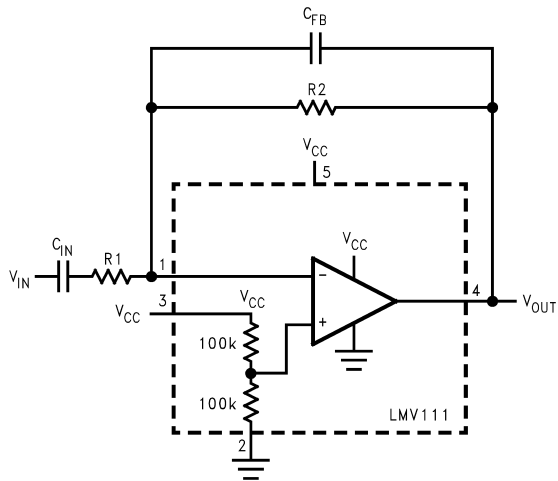
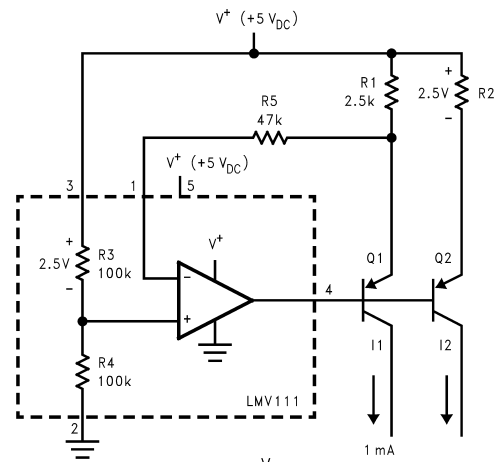


FIGURE 2. Phase Inverting AC Amplifier

5.0 Fixed Current Source

A multiple fixed current source is shown in Figure 3. A reference voltage ($V_{REF} = 2.5\text{V}$) is established across resistor R_3 by the voltage divider (R_3 and R_4). Negative feedback is used to cause the voltage drop across R_1 to be equal to V_{REF} . This controls the emitter current of transistor $Q1$ and if we neglect the base current of $Q1$ and $Q2$, essentially this same current is available out of the collector of $Q1$. A Darlington connection can be used to reduce errors due to the bias current of $Q1$.



$$I_1 \approx I_{E1} = \frac{V_{REF}}{R_1}$$

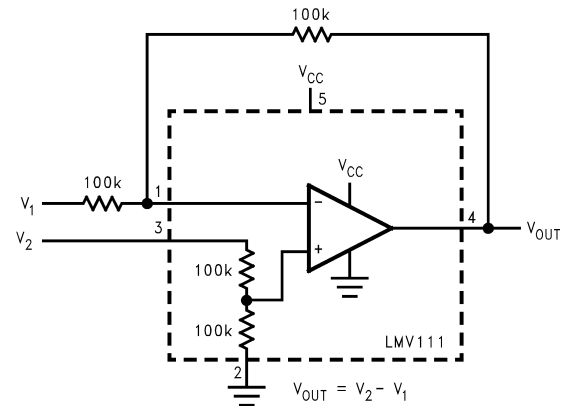
$$I_2 = \frac{R_1}{R_2} I_1$$

DS101262-25

FIGURE 3. Fixed Current Source

6.0 Difference Amplifier

The difference amplifier allows the subtraction of two voltages or, as a special case, the cancellation of a signal common to two inputs. It is useful as a computational amplifier, in making a differential to single-ended conversion or in rejecting a common mode signal.

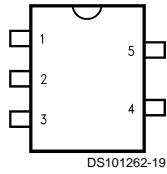


DS101262-26

FIGURE 4. Difference Amplifier

Connection Diagrams

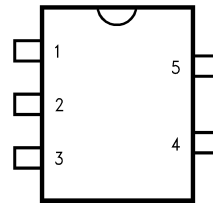
5-Pin SC70-5
(M7)



Top View

DS101262-19

5-Pin SOT23-5
(M5)



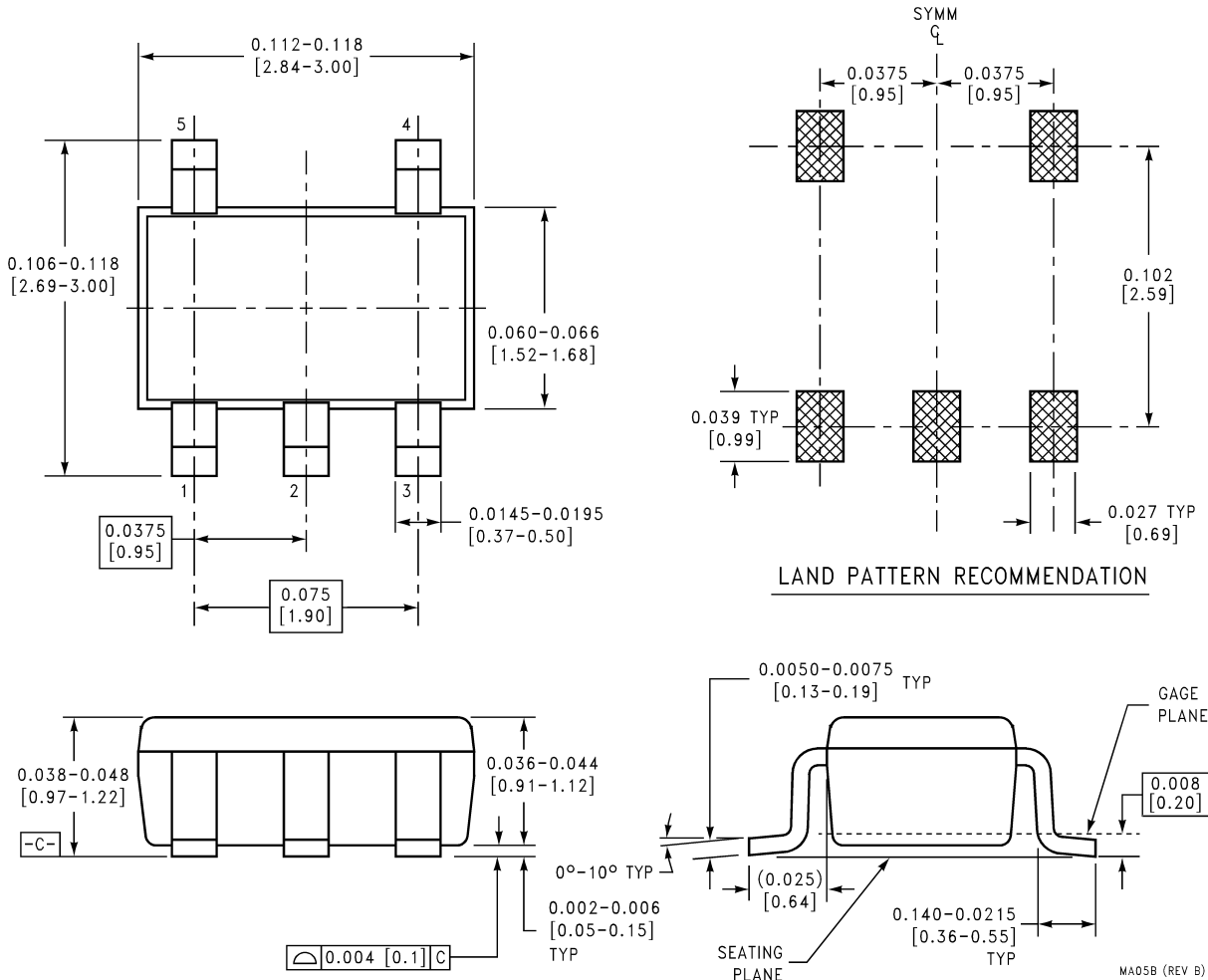
Top View

DS101262-20

Ordering Information

Package	Part Number	Marking	Transport Media	NSC Drawing
SC70-5	LMV111M7	A42	1k Units Tape and Reel	MAA05A
	LMV111M7X		3k Units Tape and Reel	
SOT23-5	LMV111M5	A37A	1k Units Tape and Reel	MA05B
	LMV111M5X		3k Units Tape and Reel	

Physical Dimensions inches (millimeters) unless otherwise noted (Continued)



5-Pin SOT23-5 Tape and Reel
Order Numbers LMV111M5 and LMV111M5X
NS Package Number MA05B

LIFE SUPPORT POLICY

NATIONAL'S PRODUCTS ARE NOT AUTHORIZED FOR USE AS CRITICAL COMPONENTS IN LIFE SUPPORT DEVICES OR SYSTEMS WITHOUT THE EXPRESS WRITTEN APPROVAL OF THE PRESIDENT AND GENERAL COUNSEL OF NATIONAL SEMICONDUCTOR CORPORATION. As used herein:

1. Life support devices or systems are devices or systems which, (a) are intended for surgical implant into the body, or (b) support or sustain life, and whose failure to perform when properly used in accordance with instructions for use provided in the labeling, can be reasonably expected to result in a significant injury to the user.
2. A critical component is any component of a life support device or system whose failure to perform can be reasonably expected to cause the failure of the life support device or system, or to affect its safety or effectiveness.

National Semiconductor Corporation
 Americas
 Email: support@nsc.com

National Semiconductor Europe
 Fax: +49 (0) 180-530 85 86
 Email: europe.support@nsc.com
 Deutsch Tel: +49 (0) 69 9508 6208
 English Tel: +44 (0) 870 24 0 2171
 Français Tel: +33 (0) 1 41 91 8790

National Semiconductor Asia Pacific Customer Response Group
 Tel: 65-2544466
 Fax: 65-2504466
 Email: ap.support@nsc.com

National Semiconductor Japan Ltd.
 Tel: 81-3-5639-7560
 Fax: 81-3-5639-7507

www.national.com

IMPORTANT NOTICE

Texas Instruments Incorporated and its subsidiaries (TI) reserve the right to make corrections, modifications, enhancements, improvements, and other changes to its products and services at any time and to discontinue any product or service without notice. Customers should obtain the latest relevant information before placing orders and should verify that such information is current and complete. All products are sold subject to TI's terms and conditions of sale supplied at the time of order acknowledgment.

TI warrants performance of its hardware products to the specifications applicable at the time of sale in accordance with TI's standard warranty. Testing and other quality control techniques are used to the extent TI deems necessary to support this warranty. Except where mandated by government requirements, testing of all parameters of each product is not necessarily performed.

TI assumes no liability for applications assistance or customer product design. Customers are responsible for their products and applications using TI components. To minimize the risks associated with customer products and applications, customers should provide adequate design and operating safeguards.

TI does not warrant or represent that any license, either express or implied, is granted under any TI patent right, copyright, mask work right, or other TI intellectual property right relating to any combination, machine, or process in which TI products or services are used. Information published by TI regarding third-party products or services does not constitute a license from TI to use such products or services or a warranty or endorsement thereof. Use of such information may require a license from a third party under the patents or other intellectual property of the third party, or a license from TI under the patents or other intellectual property of TI.

Reproduction of TI information in TI data books or data sheets is permissible only if reproduction is without alteration and is accompanied by all associated warranties, conditions, limitations, and notices. Reproduction of this information with alteration is an unfair and deceptive business practice. TI is not responsible or liable for such altered documentation. Information of third parties may be subject to additional restrictions.

Resale of TI products or services with statements different from or beyond the parameters stated by TI for that product or service voids all express and any implied warranties for the associated TI product or service and is an unfair and deceptive business practice. TI is not responsible or liable for any such statements.

TI products are not authorized for use in safety-critical applications (such as life support) where a failure of the TI product would reasonably be expected to cause severe personal injury or death, unless officers of the parties have executed an agreement specifically governing such use. Buyers represent that they have all necessary expertise in the safety and regulatory ramifications of their applications, and acknowledge and agree that they are solely responsible for all legal, regulatory and safety-related requirements concerning their products and any use of TI products in such safety-critical applications, notwithstanding any applications-related information or support that may be provided by TI. Further, Buyers must fully indemnify TI and its representatives against any damages arising out of the use of TI products in such safety-critical applications.

TI products are neither designed nor intended for use in military/aerospace applications or environments unless the TI products are specifically designated by TI as military-grade or "enhanced plastic." Only products designated by TI as military-grade meet military specifications. Buyers acknowledge and agree that any such use of TI products which TI has not designated as military-grade is solely at the Buyer's risk, and that they are solely responsible for compliance with all legal and regulatory requirements in connection with such use.

TI products are neither designed nor intended for use in automotive applications or environments unless the specific TI products are designated by TI as compliant with ISO/TS 16949 requirements. Buyers acknowledge and agree that, if they use any non-designated products in automotive applications, TI will not be responsible for any failure to meet such requirements.

Following are URLs where you can obtain information on other Texas Instruments products and application solutions:

Products

Audio	www.ti.com/audio
Amplifiers	amplifier.ti.com
Data Converters	dataconverter.ti.com
DLP® Products	www.dlp.com
DSP	dsp.ti.com
Clocks and Timers	www.ti.com/clocks
Interface	interface.ti.com
Logic	logic.ti.com
Power Mgmt	power.ti.com
Microcontrollers	microcontroller.ti.com
RFID	www.ti-rfid.com
OMAP Mobile Processors	www.ti.com/omap
Wireless Connectivity	www.ti.com/wirelessconnectivity

Applications

Communications and Telecom	www.ti.com/communications
Computers and Peripherals	www.ti.com/computers
Consumer Electronics	www.ti.com/consumer-apps
Energy and Lighting	www.ti.com/energy
Industrial	www.ti.com/industrial
Medical	www.ti.com/medical
Security	www.ti.com/security
Space, Avionics and Defense	www.ti.com/space-avionics-defense
Transportation and Automotive	www.ti.com/automotive
Video and Imaging	www.ti.com/video

TI E2E Community Home Page

e2e.ti.com

Mailing Address: Texas Instruments, Post Office Box 655303, Dallas, Texas 75265
Copyright © 2011, Texas Instruments Incorporated







Looking for pricing, stock, or lifecycle information?

Click below to explore more details on WIN SOURCE:

 [View LMV111M5X](#) on WIN SOURCE

 [Texas Instruments](#) Information

Optimize Your Supply Chain with WIN SOURCE Solutions

-  Global Sourcing Solution
-  Obsolete Management
-  Cost Control Management
-  Shortage Management
-  Alternative Solution
-  Excess Inventory Management