



**THE DATASHEET OF
LM809M3X-2.63/NOPB**





LM809/LM810 3-Pin Microprocessor Reset Circuits

1 Features

- Precision Monitoring of Supply Voltages
 - Available Threshold Options: 2.63 V, 2.93 V, 3.08 V, 4.38 V, 4.63 V
- Superior Upgrade to MAX809 and MAX810
- Fully Specified Over Temperature
- 140-ms Minimum Power-On Reset Pulse Width, 240-ms Typical
 - Active-Low $\overline{\text{RESET}}$ Output (LM809)
 - Active-High RESET Output (LM810)
- Ensured RESET Output Valid for $V_{CC} \geq 1 \text{ V}$
- Low Supply Current, 15- μA Typical
- Power Supply Transient Immunity

2 Applications

- Factory Automation
- Building Automation
- Programmable Logic Control
- Renewable Energy
- Microprocessor Systems
- Computers
- Controllers
- Intelligent Instruments
- Portable/Battery-Powered Equipment
- Automotive

3 Description

The LM809 and LM810 microprocessors supervisory circuits can be used to monitor the power supplies in microprocessor and digital systems. They provide a reset to the microprocessor during power-up, power-down and brown-out conditions.

The function of the LM809 and LM810 are to monitor the V_{CC} supply voltage, and assert a reset signal whenever this voltage declines below the factory-programmed reset threshold. The reset signal remains asserted for 240 ms after V_{CC} rises above the threshold. The LM809 has an active-low $\overline{\text{RESET}}$ output, while the LM810 has an active-high RESET output.

Seven standard reset voltage options are available, suitable for monitoring 5-V, 3.3-V, and 3-V supply voltages.

With a low supply current of only 15 μA , the LM809 and LM810 are ideal for use in portable equipment.

Device Information⁽¹⁾

| PART NUMBER | PACKAGE | BODY SIZE (NOM) |
|--------------|------------|-------------------|
| LM809, LM810 | SOT-23 (3) | 2.92 mm x 1.30 mm |

(1) For all available packages, see the orderable addendum at the end of the data sheet.

Typical Application for Microprocessor Reset Circuit

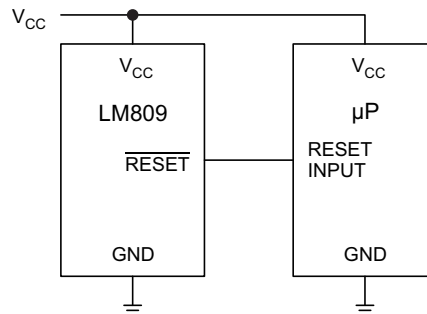


Table of Contents

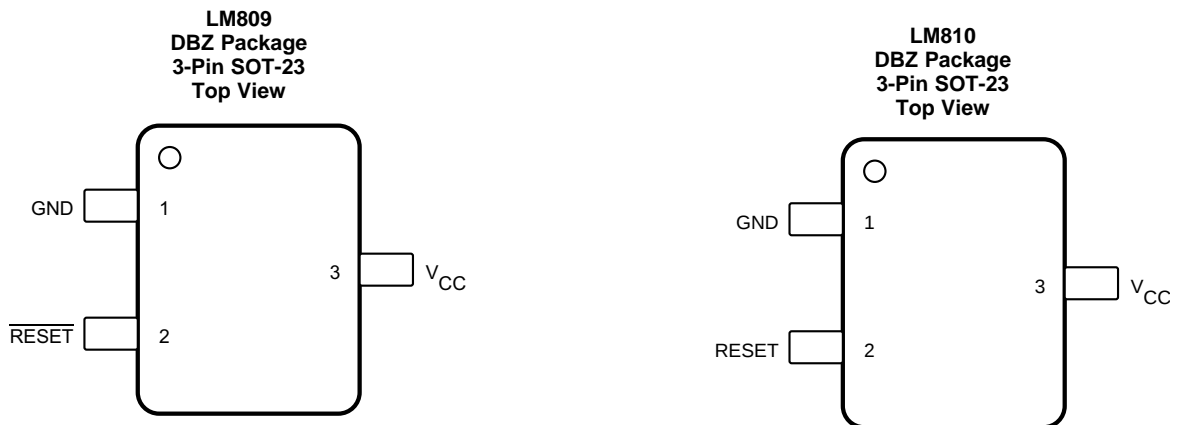
| | | | |
|--|----------|--|-----------|
| 1 Features | 1 | 7.4 Device Functional Modes..... | 9 |
| 2 Applications | 1 | 8 Application and Implementation | 10 |
| 3 Description | 1 | 8.1 Application Information..... | 10 |
| 4 Revision History | 2 | 8.2 Typical Application | 10 |
| 5 Pin Configuration and Functions | 3 | 9 Power Supply Recommendations | 11 |
| 6 Specifications | 4 | 10 Layout | 11 |
| 6.1 Absolute Maximum Ratings | 4 | 10.1 Layout Guidelines | 11 |
| 6.2 ESD Ratings..... | 4 | 10.2 Layout Example | 11 |
| 6.3 Recommended Operating Conditions..... | 4 | 11 Device and Documentation Support | 12 |
| 6.4 Thermal Information | 4 | 11.1 Related Links | 12 |
| 6.5 Electrical Characteristics..... | 5 | 11.2 Community Resources..... | 12 |
| 6.6 Typical Characteristics | 6 | 11.3 Trademarks | 12 |
| 7 Detailed Description | 7 | 11.4 Electrostatic Discharge Caution..... | 12 |
| 7.1 Overview | 7 | 11.5 Glossary | 12 |
| 7.2 Functional Block Diagram | 7 | 12 Mechanical, Packaging, and Orderable | |
| 7.3 Feature Description..... | 7 | Information | 12 |

4 Revision History

NOTE: Page numbers for previous revisions may differ from page numbers in the current version.

| Changes from Revision D (May 2013) to Revision E | Page |
|--|-------------|
| • Removed the SON package..... | 1 |
| • Added <i>ESD Ratings</i> table, <i>Feature Description</i> section, <i>Device Functional Modes</i> , <i>Application and Implementation</i> section, <i>Power Supply Recommendations</i> section, <i>Layout</i> section, <i>Device and Documentation Support</i> section, and <i>Mechanical, Packaging, and Orderable Information</i> section. | 1 |

5 Pin Configuration and Functions



Pin Functions

| NAME | PIN NO. | | I/O | DESCRIPTION |
|----------|---------------------------|-------|-----|--|
| | LM809 | LM810 | | |
| | $\overline{\text{RESET}}$ | 2 | | |
| RESET | — | 2 | O | Active-high output. RESET remains high while V_{CC} is below the reset threshold, and for 240 ms after V_{CC} rises above the reset threshold. |
| V_{CC} | 3 | 3 | I | Supply voltage |
| GND | 1 | 1 | — | Ground reference |

6 Specifications

6.1 Absolute Maximum Ratings

 see ⁽¹⁾⁽²⁾

| | | MIN | MAX | UNIT |
|---|----------------------------------|------|----------------|--------------|
| Input supply voltage | V_{CC} | -0.3 | 6 | V |
| Output voltage | RESET, $\overline{\text{RESET}}$ | -0.3 | $V_{CC} + 0.3$ | V |
| Input current | V_{CC} | | 20 | mA |
| Output current | RESET, $\overline{\text{RESET}}$ | | 20 | mA |
| Rate of rise | V_{CC} | | 100 | V/ μ s |
| Continuous power dissipation | | | 320 | mW |
| Lead temperature (soldering, 10 s) | | | 300 | $^{\circ}$ C |
| Ambient temperature range, T_A | | -40 | 105 | $^{\circ}$ C |
| Maximum junction temperature, $T_{J(\text{MAX})}$ | | | 125 | $^{\circ}$ C |
| Storage temperature, T_{stg} | | -65 | 160 | $^{\circ}$ C |

- (1) Stresses beyond those listed under *Absolute Maximum Ratings* may cause permanent damage to the device. These are stress ratings only, which do not imply functional operation of the device at these or any other conditions beyond those indicated under *Recommended Operating Conditions*. Exposure to absolute-maximum-rated conditions for extended periods may affect device reliability.
- (2) If Military/Aerospace specified devices are required, please contact the Texas Instruments Sales Office/Distributors for availability and specifications.

6.2 ESD Ratings

| | | VALUE | UNIT |
|--|--|------------|------|
| $V_{(\text{ESD})}$ Electrostatic discharge | Human-body model (HBM), per ANSI/ESDA/JEDEC JS-001 ⁽¹⁾ | ± 2000 | V |
| | Charged-device model (CDM), per JEDEC specification JESD22-C101 ⁽²⁾ | ± 200 | |

- (1) JEDEC document JEP155 states that 500-V HBM allows safe manufacturing with a standard ESD control process. Manufacturing with less than 500-V HBM is possible with the necessary precautions. Pins listed as ± 2000 V may actually have higher performance.
- (2) JEDEC document JEP157 states that 250-V CDM allows safe manufacturing with a standard ESD control process. Manufacturing with less than 250-V CDM is possible with the necessary precautions. Pins listed as ± 200 V may actually have higher performance.

6.3 Recommended Operating Conditions

over operating free-air temperature range (unless otherwise noted)

| | | | MIN | NOM | MAX | UNIT |
|------------------------------|--|---|-----|-----|-----|---------|
| V_{CC} Input voltage range | | $T_A = 0^{\circ}\text{C to } 70^{\circ}\text{C}$ | 1.0 | | 5.5 | V |
| | | $T_A = -40^{\circ}\text{C to } 105^{\circ}\text{C}$ | 1.2 | | 5.5 | |
| I_{CC} Supply Current | $V_{CC} < 5.5$ V, LM8xx: 4.63, 4.38, 4.00 | $T_A = -40^{\circ}\text{C to } 85^{\circ}\text{C}$ | | 18 | 60 | μ A |
| | | $T_A = 85^{\circ}\text{C to } 105^{\circ}\text{C}$ | | | 100 | |
| | $V_{CC} < 3.6$ V, LM8xx: 3.08, 2.93, 2.63, 2.45 | $T_A = -40^{\circ}\text{C to } 85^{\circ}\text{C}$ | | 15 | 50 | |
| | | $T_A = 85^{\circ}\text{C to } 105^{\circ}\text{C}$ | | | 100 | |

6.4 Thermal Information

| THERMAL METRIC ⁽¹⁾ | | LM809, LM810 | UNIT |
|-------------------------------|--|--------------|----------------------|
| | | DBZ (SOT-23) | |
| | | 3 PINS | |
| $R_{\theta JA}$ | Junction-to-ambient thermal resistance | 252.0 | $^{\circ}\text{C/W}$ |
| $R_{\theta JC(\text{top})}$ | Junction-to-case (top) thermal resistance | 113.3 | $^{\circ}\text{C/W}$ |
| $R_{\theta JB}$ | Junction-to-board thermal resistance | 53.5 | $^{\circ}\text{C/W}$ |
| Ψ_{JT} | Junction-to-top characterization parameter | 9.9 | $^{\circ}\text{C/W}$ |
| Ψ_{JB} | Junction-to-board characterization parameter | 52.6 | $^{\circ}\text{C/W}$ |
| $R_{\theta JC(\text{bot})}$ | Junction-to-case (bottom) thermal resistance | — | $^{\circ}\text{C/W}$ |

- (1) For more information about traditional and new thermal metrics, see the *Semiconductor and IC Package Thermal Metrics* application report, [SPRA953](#).

6.5 Electrical Characteristics

V_{CC} = full range, T_A = -40°C to 105°C , unless otherwise noted. Typical values are at $T_A = 25^{\circ}\text{C}$, $V_{CC} = 5\text{ V}$ for 4.63, 4.38, and 4.00 versions, $V_{CC} = 3.3\text{ V}$ for 3.08 and 2.93 versions, and $V_{CC} = 3\text{ V}$ for 2.63 and 2.45 version⁽¹⁾.

| PARAMETER | | TEST CONDITIONS | MIN | TYP | MAX | UNIT | | |
|---|---|--|---|------|------|------|---|-------------------------|
| V_{TH} | Reset Threshold ⁽²⁾ | LM8xx: 4.63 V | $T_A = 25^{\circ}\text{C}$ | 4.56 | 4.63 | 4.70 | V | |
| | | | $T_A = -40^{\circ}\text{C}$ to 85°C | 4.50 | | 4.75 | | |
| | | | $T_A = 85^{\circ}\text{C}$ to 105°C | 4.40 | | 4.86 | | |
| | | LM8xx: 4.38 V | $T_A = 25^{\circ}\text{C}$ | 4.31 | 4.38 | 4.45 | | |
| | | | $T_A = -40^{\circ}\text{C}$ to 85°C | 4.25 | | 4.50 | | |
| | | | $T_A = 85^{\circ}\text{C}$ to 105°C | 4.16 | | 4.56 | | |
| | | LM8xx: 4.00 V | $T_A = 25^{\circ}\text{C}$ | 3.93 | 4.00 | 4.06 | | |
| | | | $T_A = -40^{\circ}\text{C}$ to 85°C | 3.89 | | 4.10 | | |
| | | | $T_A = 85^{\circ}\text{C}$ to 105°C | 3.80 | | 4.20 | | |
| | LM8xx: 3.08 V | $T_A = 25^{\circ}\text{C}$ | 3.04 | 3.08 | 3.11 | | | |
| | | $T_A = -40^{\circ}\text{C}$ to 85°C | 3.00 | | 3.15 | | | |
| | | $T_A = 85^{\circ}\text{C}$ to 105°C | 2.92 | | 3.23 | | | |
| | LM8xx: 2.93 V | $T_A = 25^{\circ}\text{C}$ | 2.89 | 2.93 | 2.96 | | | |
| | | $T_A = -40^{\circ}\text{C}$ to 85°C | 2.85 | | 3.00 | | | |
| | | $T_A = 85^{\circ}\text{C}$ to 105°C | 2.78 | | 3.08 | | | |
| | LM8xx: 2.63 V | $T_A = 25^{\circ}\text{C}$ | 2.59 | 2.63 | 2.66 | | | |
| | | $T_A = -40^{\circ}\text{C}$ to 85°C | 2.55 | | 2.70 | | | |
| | | $T_A = 85^{\circ}\text{C}$ to 105°C | 2.50 | | 2.76 | | | |
| | LM8xx: 2.45 V | $T_A = 25^{\circ}\text{C}$ | 2.41 | 2.45 | 2.49 | | | |
| | | $T_A = -40^{\circ}\text{C}$ to 85°C | 2.38 | | 2.52 | | | |
| | | $T_A = 85^{\circ}\text{C}$ to 105°C | 2.33 | | 2.57 | | | |
| | Reset Threshold Temperature Coefficient | | | | 30 | | | ppm/ $^{\circ}\text{C}$ |
| | V_{CC} to Reset Delay ⁽²⁾ | | $V_{CC} = V_{TH}$ to $(V_{TH} - 100\text{ mV})$ | | 20 | | | μs |
| | Reset Active Timeout Period | | $T_A = -40^{\circ}\text{C}$ to 85°C | 140 | 240 | 560 | | ms |
| $T_A = 85^{\circ}\text{C}$ to 105°C | | | 100 | | 840 | | | |
| V_{OL} | RESE \overline{T} Output Voltage Low (LM809) | $V_{CC} = V_{TH(\text{min})}$, $I_{\text{SINK}} = 1.2\text{ mA}$, LM809: 2.45, 2.63, 2.93, 3.08 | | | 0.3 | V | | |
| | | $V_{CC} = V_{TH(\text{min})}$, $I_{\text{SINK}} = 3.2\text{ mA}$, LM809: 4.63, 4.38, 4.00 | | | 0.4 | | | |
| | | $V_{CC} > 1\text{ V}$, $I_{\text{SINK}} = 50\text{ }\mu\text{A}$ | | | 0.3 | | | |
| | RESET Output Voltage Low (LM810) | $V_{CC} = V_{TH(\text{max})}$, $I_{\text{SINK}} = 1.2\text{ mA}$, LM810: 2.63, 2.93, 3.08 | | | 0.3 | | | |
| $V_{CC} = V_{TH(\text{max})}$, $I_{\text{SINK}} = 3.2\text{ mA}$, LM810: 4.63, 4.38, 4.00 | | | | 0.4 | | | | |
| V_{OH} | RESE \overline{T} Output Voltage High (LM809) | $V_{CC} > V_{TH(\text{max})}$, $I_{\text{SOURCE}} = 500\text{ }\mu\text{A}$, LM809: 2.45, 2.63, 2.93, 3.08 | $0.8 \times V_{CC}$ | | | V | | |
| | | $V_{CC} > V_{TH(\text{max})}$, $I_{\text{SOURCE}} = 800\text{ }\mu\text{A}$, LM809: 4.63, 4.38, 4.00 | $V_{CC} - 1.5$ | | | | | |
| | RESET Output Voltage High (LM810) | $1.8\text{ V} < V_{CC} < V_{TH(\text{min})}$, $I_{\text{SOURCE}} = 150\text{ }\mu\text{A}$ | $0.8 \times V_{CC}$ | | | | | |

(1) Production testing done at $T_A = 25^{\circ}\text{C}$, over temperature limits specified by design only.

(2) RESE \overline{T} Output for LM809, RESET output for LM810.

6.6 Typical Characteristics



Figure 1. Supply Current vs Temperature (No Load, LM8xx: 2.63, 2.93, 3.08)



Figure 2. Supply Current vs Temperature (No Load, LM8xx: 4.63, 4.38)



Figure 3. Power-Down Reset Delay vs Temp (LM8xx: 2.63, 2.93, 3.08)



Figure 4. Power-Down Reset Delay vs Temperature (LM8xx: 4.63, 4.38)



Figure 5. Power-Up Reset Timeout vs Temperature

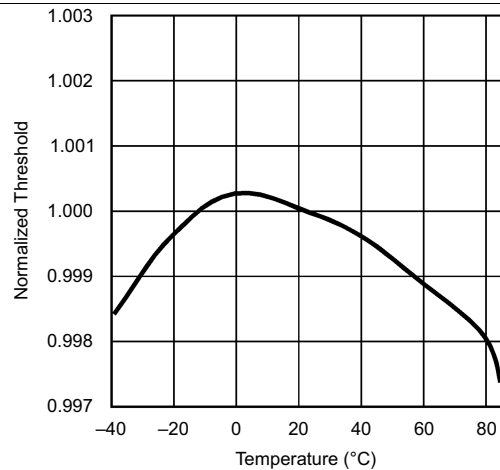


Figure 6. Normalized Reset Threshold vs Temperature

7 Detailed Description

7.1 Overview

The LM809 and LM810 microprocessor supervisory circuits provide a simple solution to monitor the power supplies in microprocessor and digital systems and provide a reset during power-up, power-down, and brown-out conditions. The reset signal is controlled by the factory-programmed reset threshold on the V_{CC} supply voltage pin. When the voltage declines below the reset threshold, the reset signal is asserted and remains asserted for 240 ms after V_{CC} rises above the threshold. The LM809 has an active-low $\overline{\text{RESET}}$ output, while the LM810 has an active-high RESET output. The available threshold options are 2.63 V, 2.93 V, 3.08 V, 4.38 V, and 4.63 V to provide precision monitoring of supply voltages.

7.2 Functional Block Diagram



7.3 Feature Description

7.3.1 Benefits of Precision Reset Thresholds

A microprocessor supply supervisor must provide a reset output within a predictable range of the supply voltage. A common threshold range is between 5% and 10% below the nominal supply voltage. The 4.63-V and 3.08-V options of the LM809 and LM810 use highly accurate circuitry to ensure that the reset threshold occurs only within this range (for 5-V and 3.3-V supplies). The other voltage options have the same tight tolerance to ensure a reset signal for other narrow monitor ranges. See [Table 1](#) for examples of how the standard reset thresholds apply to 3-V, 3.3-V, and 5-V nominal supply voltages.

Table 1. Reset Thresholds Related to Common Supply Voltages

| Reset Threshold | 3 V | 3.3 V | 5 V |
|-----------------|----------|----------|----------|
| 4.63 ± 3% | | | 90 – 95% |
| 4.38 ± 3% | | | 85 – 90% |
| 4.00 ± 3% | | | 78 – 82% |
| 3.08 ± 3% | | 90 – 95% | |
| 2.93 ± 3% | | 86 – 90% | |
| 2.63 ± 3% | 85 – 90% | 77 – 81% | |
| 2.45 ± 3% | 79 – 84% | 72 – 76% | |

7.3.1.1 Ensuring a Valid Reset Output Down to $V_{CC} = 0\text{ V}$

When V_{CC} falls below 1 V, the LM809 $\overline{\text{RESET}}$ output no longer sinks current. A high-impedance CMOS logic input connected to $\overline{\text{RESET}}$ can therefore drift to undetermined voltages. To prevent this situation, a 100-k Ω resistor should be connected from the $\overline{\text{RESET}}$ output to ground, as shown in Figure 7.

A 100-k Ω pullup resistor to V_{CC} is also recommended for the LM810, if $\overline{\text{RESET}}$ is required to remain valid for $V_{CC} < 1\text{ V}$.



Figure 7. $\overline{\text{RESET}}$ Valid to $V_{CC} = \text{Ground}$ Circuit

7.3.1.2 Negative-Going V_{CC} Transients

The LM809 and LM810 are relatively immune to short negative-going transients or glitches on V_{CC} . Figure 8 shows the maximum pulse width a negative-going V_{CC} transient can have without causing a reset pulse. In general, as the magnitude of the transient increases, going further below the threshold, the maximum allowable pulse width decreases. Typically, for the 4.63-V and 4.38-V version of the LM809 or LM810, a V_{CC} transient that goes 100 mV below the reset threshold and lasts 20 μs or less will not cause a reset pulse. A 0.1- μF bypass capacitor mounted as close as possible to the V_{CC} pin will provide additional transient rejection.

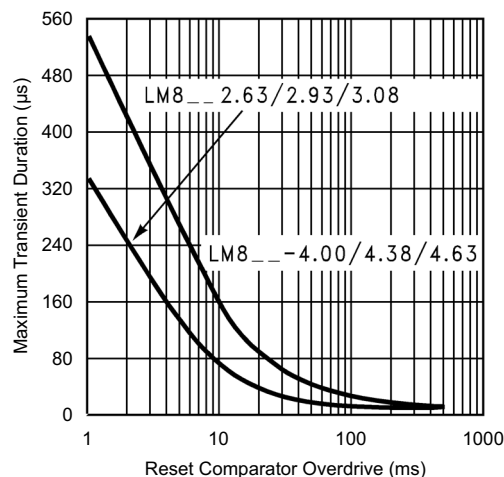


Figure 8. Maximum Transient Duration without Causing a Reset Pulse vs Reset Comparator Overdrive

7.3.1.3 Interfacing to μ Ps with Bidirectional Reset Pins

Microprocessors with bidirectional reset pins, such as the Motorola 68HC11 series, can be connected to the LM809 RESET output. To ensure a correct output on the LM809 even when the microprocessor reset pin is in the opposite state, connect a 4.7-k Ω resistor between the LM809 RESET output and the μ P reset pin, as shown in Figure 9. Buffer the LM809 RESET output to other system components.

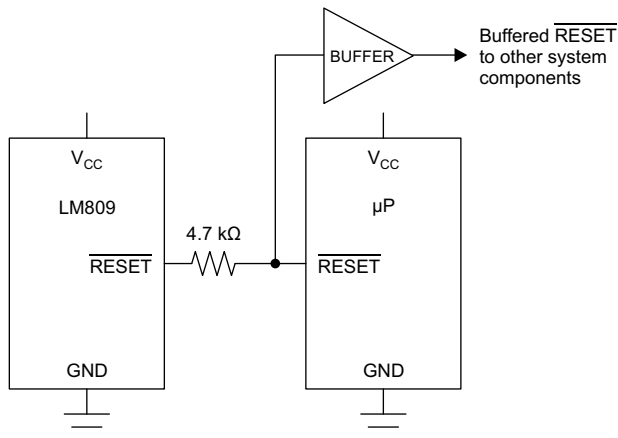


Figure 9. Interfacing to Microprocessors with Bidirectional Reset I/O

7.4 Device Functional Modes

7.4.1 V_{CC} Supply Voltage Low

When V_{CC} supply voltage declines below the reset threshold, the RESET output is asserted. For LM809, the active-low RESET output is low. For LM810, the active-high RESET output is high.

7.4.2 V_{CC} Supply Voltage High

When the V_{CC} supply voltage rises above the reset threshold, the RESET output resets after 240 ms. For LM809, the active-low RESET output rises high. For LM810, the active-high RESET output drops low.

8 Application and Implementation

NOTE

Information in the following applications sections is not part of the TI component specification, and TI does not warrant its accuracy or completeness. TI's customers are responsible for determining suitability of components for their purposes. Customers should validate and test their design implementation to confirm system functionality.

8.1 Application Information

The LM809 and LM810 are a supervisor circuit for microprocessor and digital systems. With a low supply current of only 15 μ A, the LM809 and LM810 are ideal for use in portable equipment.

8.2 Typical Application

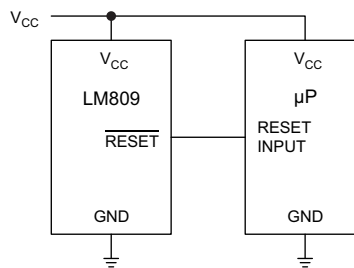


Figure 10. Microprocessor $\overline{\text{RESET}}$ Circuit

8.2.1 Design Requirements

For this design example, use the parameters listed in [Table 2](#) as the input parameters.

Table 2. Design Parameters

| DESIGN PARAMETER | EXAMPLE VALUE |
|-----------------------------|---------------|
| Input supply voltage range | 1 V to 5.5 V |
| Reset output voltage (high) | Input supply |
| Reset output voltage (low) | 0 V |

8.2.2 Detailed Design Procedure

For the typical application circuit, all that is required is the LM809 or LM810 IC, but TI recommends an input capacitor to help with input voltage transients. A typical input capacitor value is 0.1 μ F and must be rated for the highest expected input voltage.

8.2.3 Application Curve

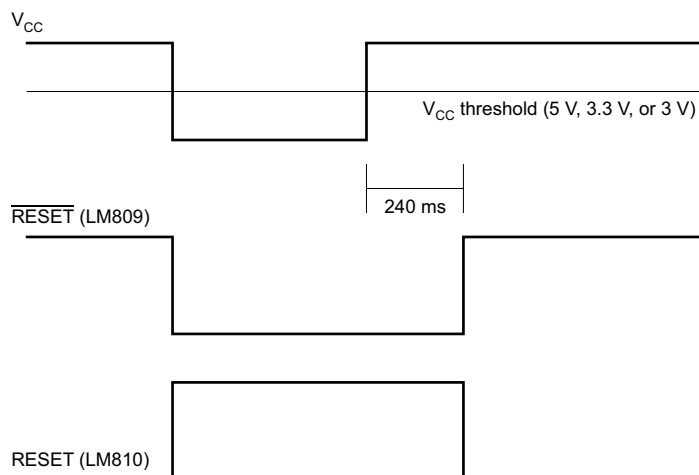


Figure 11. Reset Active Timeout

9 Power Supply Recommendations

The input of the LM809 is designed to handle up to the supply voltage absolute maximum rating of 6.5 V. If the input supply is susceptible to any large transients above the maximum rating, then extra precautions should be taken. An input capacitor is recommended to avoid false reset output triggers due to noise.

10 Layout

10.1 Layout Guidelines

Place the input capacitor as close as possible to the IC.

10.2 Layout Example

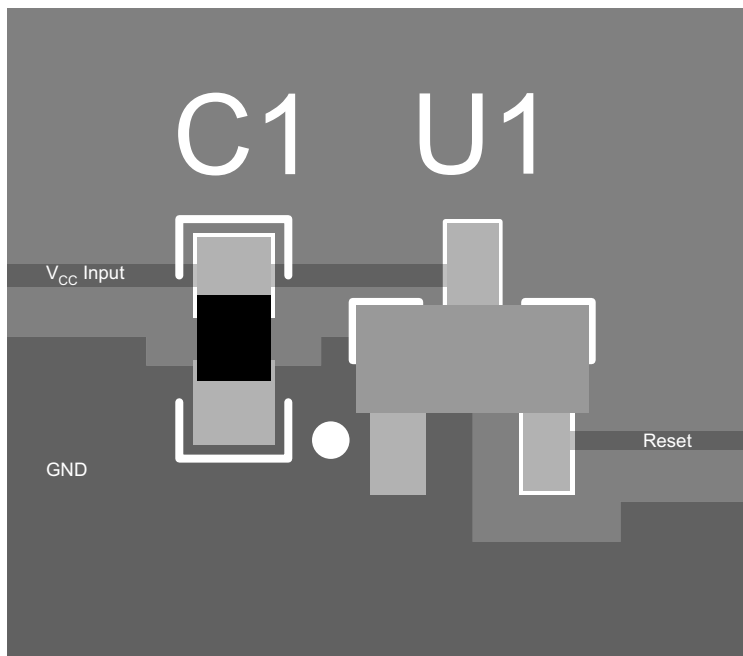


Figure 12. Layout Example

11 Device and Documentation Support

11.1 Related Links

The table below lists quick access links. Categories include technical documents, support and community resources, tools and software, and quick access to sample or buy.

Table 3. Related Links

| PARTS | PRODUCT FOLDER | SAMPLE & BUY | TECHNICAL DOCUMENTS | TOOLS & SOFTWARE | SUPPORT & COMMUNITY |
|-------|----------------------------|----------------------------|----------------------------|----------------------------|----------------------------|
| LM809 | Click here | Click here | Click here | Click here | Click here |
| LM810 | Click here | Click here | Click here | Click here | Click here |

11.2 Community Resources

The following links connect to TI community resources. Linked contents are provided "AS IS" by the respective contributors. They do not constitute TI specifications and do not necessarily reflect TI's views; see TI's [Terms of Use](#).

TI E2E™ Online Community *TI's Engineer-to-Engineer (E2E) Community*. Created to foster collaboration among engineers. At e2e.ti.com, you can ask questions, share knowledge, explore ideas and help solve problems with fellow engineers.

Design Support *TI's Design Support* Quickly find helpful E2E forums along with design support tools and contact information for technical support.

11.3 Trademarks

E2E is a trademark of Texas Instruments.
All other trademarks are the property of their respective owners.

11.4 Electrostatic Discharge Caution



These devices have limited built-in ESD protection. The leads should be shorted together or the device placed in conductive foam during storage or handling to prevent electrostatic damage to the MOS gates.

11.5 Glossary

[SLYZ022](#) — *TI Glossary*.

This glossary lists and explains terms, acronyms, and definitions.

12 Mechanical, Packaging, and Orderable Information

The following pages include mechanical, packaging, and orderable information. This information is the most current data available for the designated devices. This data is subject to change without notice and revision of this document. For browser-based versions of this data sheet, refer to the left-hand navigation.

PACKAGING INFORMATION

| Orderable Device | Status (1) | Package Type | Package Drawing | Pins | Package Qty | Eco Plan (2) | Lead finish/ Ball material (6) | MSL Peak Temp (3) | Op Temp (°C) | Device Marking (4/5) | Samples |
|--------------------|---------------|--------------|-----------------|------|-------------|-----------------|--------------------------------------|----------------------|--------------|-------------------------|-------------------------|
| LM809M3-2.63/NOPB | ACTIVE | SOT-23 | DBZ | 3 | 1000 | RoHS & Green | SN | Level-1-260C-UNLIM | -40 to 105 | S3B | Samples |
| LM809M3-2.93/NOPB | ACTIVE | SOT-23 | DBZ | 3 | 1000 | RoHS & Green | SN | Level-1-260C-UNLIM | -40 to 105 | S4B | Samples |
| LM809M3-3.08/NOPB | ACTIVE | SOT-23 | DBZ | 3 | 1000 | RoHS & Green | SN | Level-1-260C-UNLIM | -40 to 105 | S5B | Samples |
| LM809M3-4.38/NOPB | ACTIVE | SOT-23 | DBZ | 3 | 1000 | RoHS & Green | SN | Level-1-260C-UNLIM | -40 to 105 | S7B | Samples |
| LM809M3-4.63/NOPB | ACTIVE | SOT-23 | DBZ | 3 | 1000 | RoHS & Green | SN | Level-1-260C-UNLIM | -40 to 105 | S8B | Samples |
| LM809M3X-2.63/NOPB | ACTIVE | SOT-23 | DBZ | 3 | 3000 | RoHS & Green | SN | Level-1-260C-UNLIM | -40 to 105 | S3B | Samples |
| LM809M3X-2.93/NOPB | ACTIVE | SOT-23 | DBZ | 3 | 3000 | RoHS & Green | SN | Level-1-260C-UNLIM | -40 to 105 | S4B | Samples |
| LM809M3X-3.08/NOPB | ACTIVE | SOT-23 | DBZ | 3 | 3000 | RoHS & Green | SN | Level-1-260C-UNLIM | -40 to 105 | S5B | Samples |
| LM809M3X-4.38/NOPB | ACTIVE | SOT-23 | DBZ | 3 | 3000 | RoHS & Green | SN | Level-1-260C-UNLIM | | S7B | Samples |
| LM809M3X-4.63/NOPB | ACTIVE | SOT-23 | DBZ | 3 | 3000 | RoHS & Green | SN | Level-1-260C-UNLIM | -40 to 105 | S8B | Samples |
| LM810M3-4.63/NOPB | ACTIVE | SOT-23 | DBZ | 3 | 1000 | RoHS & Green | SN | Level-1-260C-UNLIM | -40 to 105 | SEB | Samples |
| LM810M3X-4.63/NOPB | ACTIVE | SOT-23 | DBZ | 3 | 3000 | RoHS & Green | SN | Level-1-260C-UNLIM | -40 to 105 | SEB | Samples |

(1) The marketing status values are defined as follows:

ACTIVE: Product device recommended for new designs.

LIFEBUY: TI has announced that the device will be discontinued, and a lifetime-buy period is in effect.

NRND: Not recommended for new designs. Device is in production to support existing customers, but TI does not recommend using this part in a new design.

PREVIEW: Device has been announced but is not in production. Samples may or may not be available.

OBSOLETE: TI has discontinued the production of the device.

(2) **RoHS:** TI defines "RoHS" to mean semiconductor products that are compliant with the current EU RoHS requirements for all 10 RoHS substances, including the requirement that RoHS substance do not exceed 0.1% by weight in homogeneous materials. Where designed to be soldered at high temperatures, "RoHS" products are suitable for use in specified lead-free processes. TI may reference these types of products as "Pb-Free".

RoHS Exempt: TI defines "RoHS Exempt" to mean products that contain lead but are compliant with EU RoHS pursuant to a specific EU RoHS exemption.

Green: TI defines "Green" to mean the content of Chlorine (Cl) and Bromine (Br) based flame retardants meet JS709B low halogen requirements of <=1000ppm threshold. Antimony trioxide based flame retardants must also meet the <=1000ppm threshold requirement.

- (3) MSL, Peak Temp. - The Moisture Sensitivity Level rating according to the JEDEC industry standard classifications, and peak solder temperature.
- (4) There may be additional marking, which relates to the logo, the lot trace code information, or the environmental category on the device.
- (5) Multiple Device Markings will be inside parentheses. Only one Device Marking contained in parentheses and separated by a "~" will appear on a device. If a line is indented then it is a continuation of the previous line and the two combined represent the entire Device Marking for that device.
- (6) Lead finish/Ball material - Orderable Devices may have multiple material finish options. Finish options are separated by a vertical ruled line. Lead finish/Ball material values may wrap to two lines if the finish value exceeds the maximum column width.

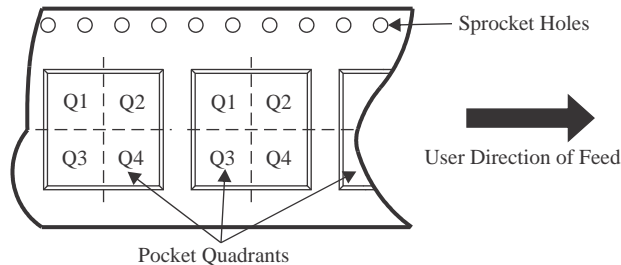
Important Information and Disclaimer:The information provided on this page represents TI's knowledge and belief as of the date that it is provided. TI bases its knowledge and belief on information provided by third parties, and makes no representation or warranty as to the accuracy of such information. Efforts are underway to better integrate information from third parties. TI has taken and continues to take reasonable steps to provide representative and accurate information but may not have conducted destructive testing or chemical analysis on incoming materials and chemicals. TI and TI suppliers consider certain information to be proprietary, and thus CAS numbers and other limited information may not be available for release.

In no event shall TI's liability arising out of such information exceed the total purchase price of the TI part(s) at issue in this document sold by TI to Customer on an annual basis.

TAPE AND REEL INFORMATION



QUADRANT ASSIGNMENTS FOR PIN 1 ORIENTATION IN TAPE



*All dimensions are nominal

| Device | Package Type | Package Drawing | Pins | SPQ | Reel Diameter (mm) | Reel Width W1 (mm) | A0 (mm) | B0 (mm) | K0 (mm) | P1 (mm) | W (mm) | Pin1 Quadrant |
|--------------------|--------------|-----------------|------|------|--------------------|--------------------|---------|---------|---------|---------|--------|---------------|
| LM809M3-2.63/NOPB | SOT-23 | DBZ | 3 | 1000 | 178.0 | 8.4 | 3.3 | 2.9 | 1.22 | 4.0 | 8.0 | Q3 |
| LM809M3-2.93/NOPB | SOT-23 | DBZ | 3 | 1000 | 178.0 | 8.4 | 3.3 | 2.9 | 1.22 | 4.0 | 8.0 | Q3 |
| LM809M3-3.08/NOPB | SOT-23 | DBZ | 3 | 1000 | 178.0 | 8.4 | 3.3 | 2.9 | 1.22 | 4.0 | 8.0 | Q3 |
| LM809M3-4.38/NOPB | SOT-23 | DBZ | 3 | 1000 | 178.0 | 8.4 | 3.3 | 2.9 | 1.22 | 4.0 | 8.0 | Q3 |
| LM809M3-4.63/NOPB | SOT-23 | DBZ | 3 | 1000 | 178.0 | 8.4 | 3.3 | 2.9 | 1.22 | 4.0 | 8.0 | Q3 |
| LM809M3X-2.63/NOPB | SOT-23 | DBZ | 3 | 3000 | 178.0 | 8.4 | 3.3 | 2.9 | 1.22 | 4.0 | 8.0 | Q3 |
| LM809M3X-2.93/NOPB | SOT-23 | DBZ | 3 | 3000 | 178.0 | 8.4 | 3.3 | 2.9 | 1.22 | 4.0 | 8.0 | Q3 |
| LM809M3X-3.08/NOPB | SOT-23 | DBZ | 3 | 3000 | 178.0 | 8.4 | 3.3 | 2.9 | 1.22 | 4.0 | 8.0 | Q3 |
| LM809M3X-4.38/NOPB | SOT-23 | DBZ | 3 | 3000 | 178.0 | 8.4 | 3.3 | 2.9 | 1.22 | 4.0 | 8.0 | Q3 |
| LM809M3X-4.63/NOPB | SOT-23 | DBZ | 3 | 3000 | 178.0 | 8.4 | 3.3 | 2.9 | 1.22 | 4.0 | 8.0 | Q3 |
| LM810M3-4.63/NOPB | SOT-23 | DBZ | 3 | 1000 | 178.0 | 8.4 | 3.3 | 2.9 | 1.22 | 4.0 | 8.0 | Q3 |
| LM810M3X-4.63/NOPB | SOT-23 | DBZ | 3 | 3000 | 178.0 | 8.4 | 3.3 | 2.9 | 1.22 | 4.0 | 8.0 | Q3 |

TAPE AND REEL BOX DIMENSIONS


*All dimensions are nominal

| Device | Package Type | Package Drawing | Pins | SPQ | Length (mm) | Width (mm) | Height (mm) |
|--------------------|--------------|-----------------|------|------|-------------|------------|-------------|
| LM809M3-2.63/NOPB | SOT-23 | DBZ | 3 | 1000 | 208.0 | 191.0 | 35.0 |
| LM809M3-2.93/NOPB | SOT-23 | DBZ | 3 | 1000 | 208.0 | 191.0 | 35.0 |
| LM809M3-3.08/NOPB | SOT-23 | DBZ | 3 | 1000 | 208.0 | 191.0 | 35.0 |
| LM809M3-4.38/NOPB | SOT-23 | DBZ | 3 | 1000 | 208.0 | 191.0 | 35.0 |
| LM809M3-4.63/NOPB | SOT-23 | DBZ | 3 | 1000 | 208.0 | 191.0 | 35.0 |
| LM809M3X-2.63/NOPB | SOT-23 | DBZ | 3 | 3000 | 208.0 | 191.0 | 35.0 |
| LM809M3X-2.93/NOPB | SOT-23 | DBZ | 3 | 3000 | 208.0 | 191.0 | 35.0 |
| LM809M3X-3.08/NOPB | SOT-23 | DBZ | 3 | 3000 | 208.0 | 191.0 | 35.0 |
| LM809M3X-4.38/NOPB | SOT-23 | DBZ | 3 | 3000 | 208.0 | 191.0 | 35.0 |
| LM809M3X-4.63/NOPB | SOT-23 | DBZ | 3 | 3000 | 208.0 | 191.0 | 35.0 |
| LM810M3-4.63/NOPB | SOT-23 | DBZ | 3 | 1000 | 208.0 | 191.0 | 35.0 |
| LM810M3X-4.63/NOPB | SOT-23 | DBZ | 3 | 3000 | 208.0 | 191.0 | 35.0 |

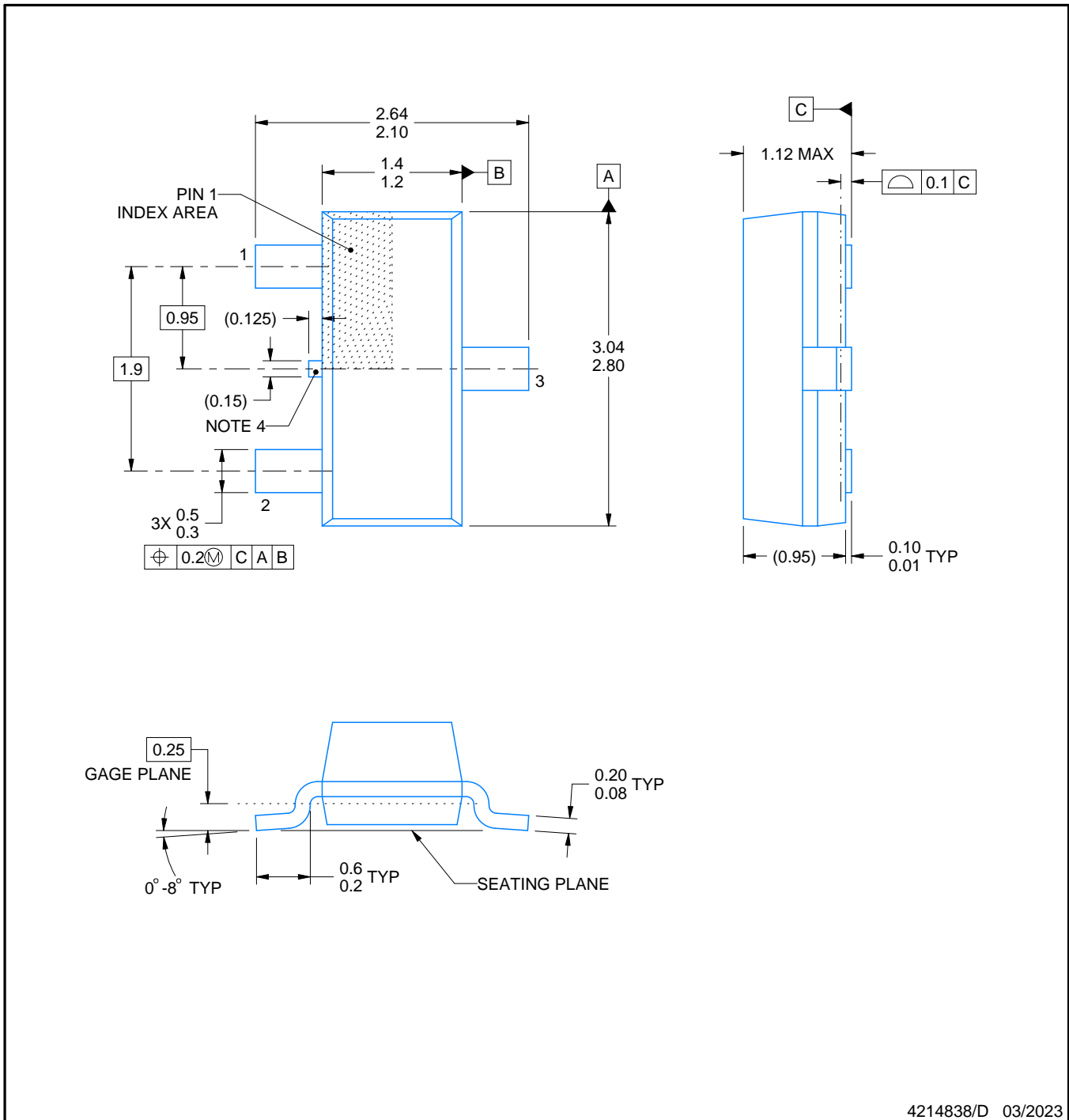
DBZ0003A



PACKAGE OUTLINE

SOT-23 - 1.12 mm max height

SMALL OUTLINE TRANSISTOR



4214838/D 03/2023

NOTES:

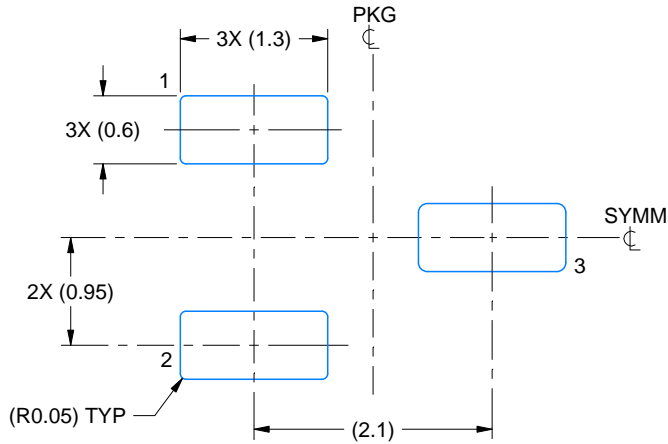
1. All linear dimensions are in millimeters. Any dimensions in parenthesis are for reference only. Dimensioning and tolerancing per ASME Y14.5M.
2. This drawing is subject to change without notice.
3. Reference JEDEC registration TO-236, except minimum foot length.
4. Support pin may differ or may not be present.

EXAMPLE BOARD LAYOUT

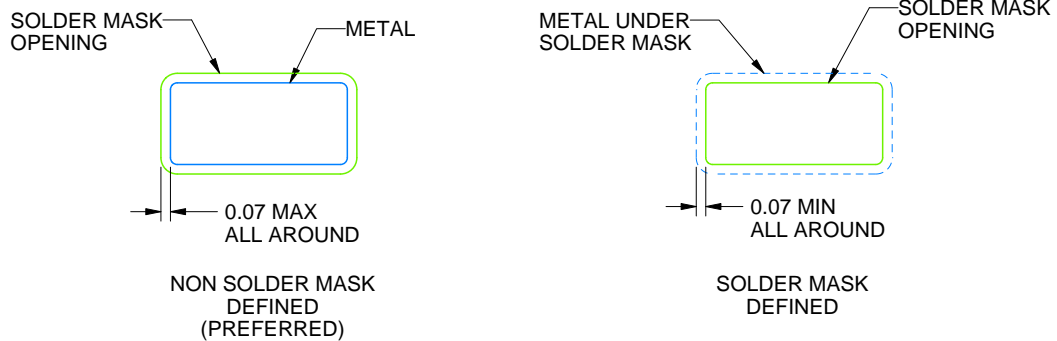
DBZ0003A

SOT-23 - 1.12 mm max height

SMALL OUTLINE TRANSISTOR



LAND PATTERN EXAMPLE
SCALE:15X



SOLDER MASK DETAILS

4214838/D 03/2023

NOTES: (continued)

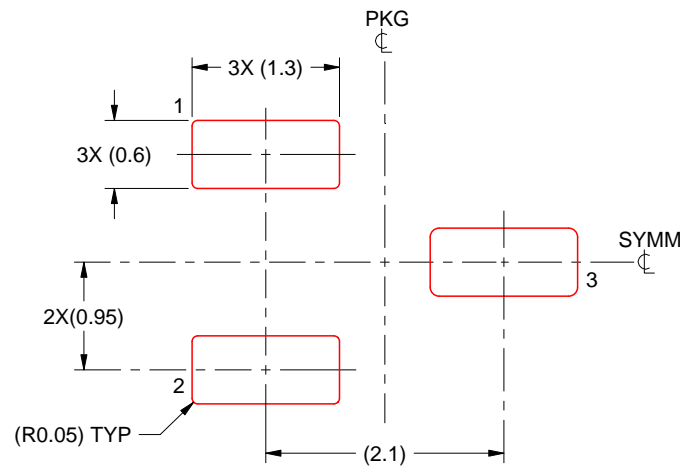
4. Publication IPC-7351 may have alternate designs.
5. Solder mask tolerances between and around signal pads can vary based on board fabrication site.

EXAMPLE STENCIL DESIGN

DBZ0003A

SOT-23 - 1.12 mm max height

SMALL OUTLINE TRANSISTOR



SOLDER PASTE EXAMPLE
BASED ON 0.125 THICK STENCIL
SCALE:15X

4214838/D 03/2023

NOTES: (continued)

6. Laser cutting apertures with trapezoidal walls and rounded corners may offer better paste release. IPC-7525 may have alternate design recommendations.
7. Board assembly site may have different recommendations for stencil design.

IMPORTANT NOTICE AND DISCLAIMER

TI PROVIDES TECHNICAL AND RELIABILITY DATA (INCLUDING DATA SHEETS), DESIGN RESOURCES (INCLUDING REFERENCE DESIGNS), APPLICATION OR OTHER DESIGN ADVICE, WEB TOOLS, SAFETY INFORMATION, AND OTHER RESOURCES "AS IS" AND WITH ALL FAULTS, AND DISCLAIMS ALL WARRANTIES, EXPRESS AND IMPLIED, INCLUDING WITHOUT LIMITATION ANY IMPLIED WARRANTIES OF MERCHANTABILITY, FITNESS FOR A PARTICULAR PURPOSE OR NON-INFRINGEMENT OF THIRD PARTY INTELLECTUAL PROPERTY RIGHTS.

These resources are intended for skilled developers designing with TI products. You are solely responsible for (1) selecting the appropriate TI products for your application, (2) designing, validating and testing your application, and (3) ensuring your application meets applicable standards, and any other safety, security, regulatory or other requirements.

These resources are subject to change without notice. TI grants you permission to use these resources only for development of an application that uses the TI products described in the resource. Other reproduction and display of these resources is prohibited. No license is granted to any other TI intellectual property right or to any third party intellectual property right. TI disclaims responsibility for, and you will fully indemnify TI and its representatives against, any claims, damages, costs, losses, and liabilities arising out of your use of these resources.



TI's products are provided subject to [TI's Terms of Sale](#) or other applicable terms available either on [ti.com](https://www.ti.com) or provided in conjunction with such TI products. TI's provision of these resources does not expand or otherwise alter TI's applicable warranties or warranty disclaimers for TI products.

TI objects to and rejects any additional or different terms you may have proposed.

Mailing Address: Texas Instruments, Post Office Box 655303, Dallas, Texas 75265
Copyright © 2024, Texas Instruments Incorporated

Looking for pricing, stock, or lifecycle information?

Click below to explore more details on WIN SOURCE:

-  [View LM809M3X-2.63/NOPB on WIN SOURCE](#)
-  [Texas Instruments](#) Information

Optimize Your Supply Chain with WIN SOURCE Solutions

-  Global Sourcing Solution
-  Obsolete Management
-  Cost Control Management
-  Shortage Management
-  Alternative Solution
-  Excess Inventory Management