



THE DATASHEET OF LM339DG4



LM339, LM239, LM139, LM2901 Quad Differential Comparators

1 Features

- Wide Supply Ranges
 - Single Supply: 2 V to 36 V (Tested to 30 V for Non-V Devices and 32 V for V-Suffix Devices)
 - Dual Supplies: ± 1 V to ± 18 V (Tested to ± 15 V for Non-V Devices and ± 16 V for V-Suffix Devices)
- Low Supply-Current Drain Independent of Supply Voltage: 0.8 mA (Typical)
- Low Input Bias Current: 25 nA (Typical)
- Low Input Offset Current: 3 nA (Typical) (LM139)
- Low Input Offset Voltage: 2 mV (Typical)
- Common-Mode Input Voltage Range Includes Ground
- Differential Input Voltage Range Equal to Maximum-Rated Supply Voltage: ± 36 V
- Low Output Saturation Voltage
- Output Compatible With TTL, MOS, and CMOS
- On Products Compliant to MIL-PRF-38535, All Parameters Are Tested Unless Otherwise Noted. On All Other Products, Production Processing Does Not Necessarily Include Testing of All Parameters.

2 Applications

- Industrial
- Automotive
 - Infotainment and Clusters
 - Body Control Modules
- Power Supervision
- Oscillators
- Peak Detectors
- Logic Voltage Translation

3 Description

The LMx39x and the LM2901x devices consist of four independent voltage comparators that are designed to operate from a single power supply over a wide range of voltages. Operation from dual supplies also is possible, as long as the difference between the two supplies is 2 V to 36 V, and V_{CC} is at least 1.5 V more positive than the input common-mode voltage. Current drain is independent of the supply voltage. The outputs can be connected to other open-collector outputs to achieve wired-AND relationships.

The LM139 and LM139A devices are characterized for operation over the full military temperature range of -55°C to $+125^{\circ}\text{C}$. The LM239 and LM239A devices are characterized for operation from -25°C to $+85^{\circ}\text{C}$. The LM339 and LM339A devices are characterized for operation from 0°C to 70°C . The LM2901, LM2901AV, and LM2901V devices are characterized for operation from -40°C to $+125^{\circ}\text{C}$.

Device Information⁽¹⁾

| PART NUMBER | PACKAGE | BODY SIZE (NOM) |
|--|------------|--------------------|
| LM139x | CDIP (14) | 21.30 mm x 7.60 mm |
| | LCCC (20) | 8.90 mm x 8.90 mm |
| | CFP (14) | 9.20 mm x 6.29 mm |
| LM139x, LM239x, LM339x, LM2901x | SOIC (14) | 8.70 mm x 3.90 mm |
| LM239, LM339x, LM2901 | PDIP (14) | 19.30 mm x 6.40 mm |
| LM239, LM2901 | TSSOP (14) | 5.00 mm x 4.40 mm |
| LM339x, LM2901 | SO (14) | 10.20 mm x 5.30 mm |
| LM339x | SSOP (14) | 6.50 mm x 5.30 mm |

(1) For all available packages, see the orderable addendum at the end of the data sheet.

Simplified Schematic



Table of Contents

| | | | |
|---|----------|--|-----------|
| 1 Features | 1 | 8 Detailed Description | 11 |
| 2 Applications | 1 | 8.1 Overview | 11 |
| 3 Description | 1 | 8.2 Functional Block Diagram | 11 |
| 4 Revision History | 2 | 8.3 Feature Description | 11 |
| 5 Device Comparison Table | 3 | 8.4 Device Functional Modes | 11 |
| 6 Pin Configuration and Functions | 4 | 9 Application and Implementation | 12 |
| 7 Specifications | 5 | 9.1 Application Information | 12 |
| 7.1 Absolute Maximum Ratings | 5 | 9.2 Typical Application | 12 |
| 7.2 ESD Ratings | 5 | 10 Power Supply Recommendations | 14 |
| 7.3 Recommended Operating Conditions | 5 | 11 Layout | 14 |
| 7.4 Thermal Information (14-Pin Packages) | 6 | 11.1 Layout Guidelines | 14 |
| 7.5 Thermal Information (20-Pin Packages) | 6 | 11.2 Layout Example | 14 |
| 7.6 Electrical Characteristics for LM139 and LM139A | 7 | 12 Device and Documentation Support | 15 |
| 7.7 Electrical Characteristics for LMx39 and LMx39A | 7 | 12.1 Related Links | 15 |
| 7.8 Electrical Characteristics for LM2901, LM2901V and LM2901AV | 8 | 12.2 Receiving Notification of Documentation Updates | 15 |
| 7.9 Switching Characteristics for LM2901 | 9 | 12.3 Community Resources | 15 |
| 7.10 Switching Characteristics for LM139 and LM139A . | 9 | 12.4 Trademarks | 15 |
| 7.11 Switching Characteristics for LMx39 and LMx39A . | 9 | 12.5 Electrostatic Discharge Caution | 15 |
| 7.12 Typical Characteristics | 10 | 12.6 Glossary | 15 |
| | | 13 Mechanical, Packaging, and Orderable Information | 15 |

4 Revision History

NOTE: Page numbers for previous revisions may differ from page numbers in the current version.

| Changes from Revision T (June 2015) to Revision U | Page |
|--|------|
| • Changed LM239x temperature range from 125°C to 85°C in <i>Description</i> section | 1 |
| • Changed data sheet title | 1 |
| • Changed LM293AD to LM239AD in <i>Device Comparison Table</i> | 3 |
| • Changed 'I' to dash in GND and VCC in I/O column of the <i>Pin Functions</i> table | 4 |
| • Added Input Current and related footnote in <i>Absolute Maximum Ratings</i> | 5 |
| • Changed layout of <i>Recommended Operating Conditions</i> temperatures to separate rows | 5 |
| • Changed values in the Thermal Information table to align with JEDEC standards | 6 |
| • Added LM2901V and LMV2901AV to LM2901 Elect Char Table title to make more clear which devices are covered. | 8 |
| • Changed "Dual" to "Quad" and removed "Absolute Maximum" wording and mention of Q100 in <i>Overview</i> section text. ... | 11 |
| • Changed and corrected text in <i>Feature Description</i> section | 11 |
| • Changed Example Values in <i>Typical Application Design Parameters</i> table | 12 |
| • Added <i>Receiving Notification of Documentation Updates</i> section | 15 |

| Changes from Revision S (August 2012) to Revision T | Page |
|---|------|
| • Deleted <i>Ordering Information</i> table. | 1 |
| • Added Military Disclaimer to <i>Features</i> list. | 1 |
| • Added <i>Applications</i> , <i>Device Information</i> table, <i>Pin Configuration and Functions</i> section, <i>ESD Ratings</i> table, <i>Thermal Information</i> table, <i>Feature Description</i> section, <i>Device Functional Modes</i> , <i>Application and Implementation</i> section, <i>Power Supply Recommendations</i> section, <i>Layout</i> section, <i>Device and Documentation Support</i> section, and <i>Mechanical, Packaging, and Orderable Information</i> section. No specification changes | 1 |

5 Device Comparison Table

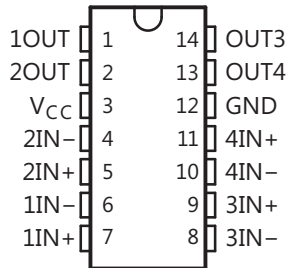
| PART NUMBER | PACKAGE | BODY SIZE (NOM) |
|---|------------|--------------------|
| LM139J, LM139AJ | CDIP (14) | 21.30 mm × 7.60 mm |
| LM139FK, LM139AFK | LCCC (20) | 8.90 mm × 8.90 mm |
| LM139W, LM139AW | CFP (14) | 9.20 mm × 6.29 mm |
| LM139D, LM139AD, LM239D, LM239AD, LM339D, LM339AD, LM2901D | SOIC (14) | 8.70 mm × 3.90 mm |
| LM239N, LM339N, LM339AN, LM2901N | PDIP (14) | 19.30 mm × 6.40 mm |
| LM239PW, LM2901PW | TSSOP (14) | 5.00 mm × 4.40 mm |
| LM339NS, LM339ANS, LM2901NS | SOP (14) | 10.20 mm × 5.30 mm |
| LM339DB, LM339ADB | SSOP (14) | 6.50 mm × 5.30 mm |

OTHER QUALIFIED VERSIONS OF LM139-SP, LM239A, LM2901, LM2901AV, LM2901V:

- Automotive Q100: [LM239A-Q1](#), [LM2901-Q1](#), [LM2901AV-Q1](#), [LM2901V-Q1](#)
- Enhanced Product: [LM239A-EP](#)
- Space: [LM139-SP](#)

6 Pin Configuration and Functions

D, DB, N, NS, PW, J, or W Package
SOIC, SSOP, PDIP, SO, TSSOP, CDIP, or CFP
Top View



FK Package
20-Pin LCCC⁽¹⁾
Top View



(1) NC = no internal connection.

Pin Functions

| NAME | PIN | | I/O ⁽¹⁾ | DESCRIPTION |
|-----------------|---------------------------|----|--------------------|--|
| | D, J, W, B, PW, DB, N, NS | FK | | |
| 1IN+ | 7 | 10 | I | Positive input pin of the comparator 1 |
| 1IN- | 6 | 9 | I | Negative input pin of the comparator 1 |
| 1OUT | 1 | 2 | O | Output pin of the comparator 1 |
| 2IN+ | 5 | 8 | I | Positive input pin of the comparator 2 |
| 2IN- | 4 | 6 | I | Negative input pin of the comparator 2 |
| 2OUT | 2 | 3 | O | Output pin of the comparator 2 |
| 3IN+ | 9 | 13 | I | Positive input pin of the comparator 3 |
| 3IN- | 8 | 12 | I | Negative input pin of the comparator 3 |
| 3OUT | 14 | 20 | O | Output pin of the comparator 3 |
| 4IN+ | 11 | 16 | I | Positive input pin of the comparator 4 |
| 4IN- | 10 | 14 | I | Negative input pin of the comparator 4 |
| 4OUT | 13 | 19 | O | Output pin of the comparator 4 |
| GND | 12 | 18 | — | Ground |
| V _{CC} | 3 | 4 | — | Supply pin |
| NC | — | 1 | — | No connect (no internal connection) |
| | | 5 | | |
| | | 7 | | |
| | | 11 | | |
| | | 15 | | |
| | | 17 | | |

(1) I = Input, O = Output

7 Specifications

7.1 Absolute Maximum Ratings

over operating free-air temperature range (unless otherwise noted)⁽¹⁾

| | | MIN | MAX | UNIT |
|------------------|---|------------|-----|------|
| V _{CC} | Supply voltage ⁽²⁾ | | 36 | V |
| V _{ID} | Differential input voltage ⁽³⁾ | | ±36 | V |
| V _I | Input voltage range (either input) | −0.3 | 36 | V |
| I _K | Input current ⁽⁴⁾ | | −50 | mA |
| V _O | Output voltage | | 36 | V |
| I _O | Output current | | 20 | mA |
| | Duration of output short circuit to ground ⁽⁵⁾ | Unlimited | | |
| T _J | Operating virtual-junction temperature | | 150 | °C |
| | Case temperature for 60 s | FK package | 260 | °C |
| | Lead temperature 1.6 mm (1/16 in) from case for 60 s | J package | 300 | °C |
| T _{stg} | Storage temperature | −65 | 150 | °C |

- (1) Stresses beyond those listed under *Absolute Maximum Ratings* may cause permanent damage to the device. These are stress ratings only, and functional operation of the device at these or any other conditions beyond those indicated under *Recommended Operating Conditions* is not implied. Exposure to absolute-maximum-rated conditions for extended periods may affect device reliability.
- (2) All voltage values, except differential voltages, are with respect to network ground.
- (3) Differential voltages are at xIN+ with respect to xIN−.
- (4) Input current flows through parasitic diode to ground and will turn on parasitic transistors that will increase I_{CC} and may cause output to be incorrect. Normal operation resumes when input is removed.
- (5) Short circuits from outputs to V_{CC} can cause excessive heating and eventual destruction.

7.2 ESD Ratings

| | | VALUE | UNIT |
|--------------------|-------------------------|--|------|
| V _(ESD) | Electrostatic discharge | Human body model (HBM), per ANSI/ESDA/JEDEC JS-001 ⁽¹⁾ | ±500 |
| | | Charged-device model (CDM), per JEDEC specification JESD22-C101 ⁽²⁾ | ±750 |

- (1) JEDEC document JEP155 states that 500-V HBM allows safe manufacturing with a standard ESD control process.
- (2) JEDEC document JEP157 states that 250-V CDM allows safe manufacturing with a standard ESD control process.

7.3 Recommended Operating Conditions

over operating free-air temperature range (unless otherwise noted)

| | | | MIN | MAX | UNIT |
|-----------------|----------------------|---------------|-----|-----|------|
| V _{CC} | Supply voltage | Non-V devices | 2 | 30 | V |
| | | V devices | 2 | 32 | V |
| T _J | Junction temperature | LM139x | −55 | 125 | °C |
| | | LM239x | −25 | 85 | |
| | | LM339x | −0 | 70 | |
| | | LM2901x | −40 | 125 | |

7.4 Thermal Information (14-Pin Packages)

| THERMAL METRIC ⁽¹⁾ | LMx39, LM2901x | | | | | | | UNIT |
|---|----------------|-----------|----------|---------|------------|----------|---------|------|
| | D (SOIC) | DB (SSOP) | N (PDIP) | NS (SO) | PW (TSSOP) | J (CDIP) | W (CFP) | |
| $R_{\theta JA}$ Junction-to-ambient thermal resistance | 98.8 | 111.8 | 79 | 96.2 | 120 | 89.5 | 156.2 | °C/W |
| $R_{\theta JC(top)}$ Junction-to-case (top) thermal resistance | 64.3 | 63.6 | 73.4 | 56.1 | 59 | 46.1 | 86.7 | °C/W |
| $R_{\theta JB}$ Junction-to-board thermal resistance | 59.7 | 60.5 | 58.7 | 56.9 | 68.8 | 78.7 | 154.6 | °C/W |
| Ψ_{JT} Junction-to-top characterization parameter | 25.7 | 26.2 | 48.3 | 24.8 | 9.9 | 3 | 56.5 | °C/W |
| Ψ_{JB} Junction-to-board characterization parameter | 59.3 | 59.8 | 58.5 | 56.4 | 68.2 | 71.8 | 133.5 | °C/W |
| $R_{\theta JC(bot)}$ Junction-to-case (bottom) thermal resistance | — | — | — | — | — | 24.2 | 14.3 | °C/W |

(1) For more information about traditional and new thermal metrics, see the [Semiconductor and IC Package Thermal Metrics](#) application report.

7.5 Thermal Information (20-Pin Packages)

| THERMAL METRIC ⁽¹⁾ | LM139x | UNIT |
|---|-----------|------|
| | FK (LCCC) | |
| $R_{\theta JA}$ Junction-to-ambient thermal resistance | 82.5 | °C/W |
| $R_{\theta JC(top)}$ Junction-to-case (top) thermal resistance | 60.7 | °C/W |
| $R_{\theta JB}$ Junction-to-board thermal resistance | 59.4 | °C/W |
| Ψ_{JT} Junction-to-top characterization parameter | 53 | °C/W |
| Ψ_{JB} Junction-to-board characterization parameter | 58.4 | °C/W |
| $R_{\theta JC(bot)}$ Junction-to-case (bottom) thermal resistance | 9.7 | °C/W |

(1) For more information about traditional and new thermal metrics, see the [Semiconductor and IC Package Thermal Metrics](#) application report.

7.6 Electrical Characteristics for LM139 and LM139A

 at specified free-air temperature, $V_{CC} = 5\text{ V}$ (unless otherwise noted)

| PARAMETER | TEST CONDITIONS ⁽¹⁾ | T_A ⁽²⁾ | LM139 | | | LM139A | | | UNIT |
|--|--|------------------------|------------|------------------------|------|------------------------|-----|------|---------------|
| | | | MIN | TYP | MAX | MIN | TYP | MAX | |
| V_{IO} Input offset voltage | $V_{CC} = 5\text{ V to } 30\text{ V}$, $V_{IC} = V_{ICR\text{ min}}$, $V_O = 1.4\text{ V}$ | 25°C | | 2 | 5 | | 1 | 2 | mV |
| | | Full range | | | 9 | | | 4 | |
| I_{IO} Input offset current | $V_O = 1.4\text{ V}$ | 25°C | | 3 | 25 | | 3 | 25 | nA |
| | | Full range | | | 100 | | | 100 | |
| I_{IB} Input bias current | $V_O = 1.4\text{ V}$ | 25°C | | -25 | -100 | | -25 | -100 | nA |
| | | Full range | | | -300 | | | -300 | |
| V_{ICR} Common-mode input-voltage range ⁽³⁾ | | 25°C | | 0 to $V_{CC} - 1.5$ | | 0 to $V_{CC} - 1.5$ | | | V |
| | | Full range | | 0 to $V_{CC} - 2$ | | 0 to $V_{CC} - 2$ | | | |
| A_{VD} Large-signal differential-voltage amplification | $V_{CC+} = \pm 7.5\text{ V}$, $V_O = -5\text{ V to } 5\text{ V}$ | 25°C | | 200 | | 50 | 200 | V/mV | |
| I_{OH} High-level output current | $V_{ID} = 1\text{ V}$ | $V_{OH} = 5\text{ V}$ | 25°C | | 0.1 | | 0.1 | nA | |
| | | $V_{OH} = 30\text{ V}$ | Full range | | | 1 | | 1 | μA |
| V_{OL} Low-level output voltage | $V_{ID} = -1\text{ V}$, $I_{OL} = 4\text{ mA}$ | 25°C | | 150 | 400 | | 150 | 400 | mV |
| | | Full range | | | 700 | | | 700 | |
| I_{OL} Low-level output current | $V_{ID} = -1\text{ V}$, $V_{OL} = 1.5\text{ V}$ | 25°C | | 6 | 16 | | 6 | 16 | mA |
| I_{CC} Supply current (four comparators) | $V_O = 2.5\text{ V}$, No load | 25°C | | 0.8 | 2 | | 0.8 | 2 | mA |

- (1) All characteristics are measured with zero common-mode input voltage, unless otherwise specified.
- (2) Full range (MIN to MAX) for LM139 and LM139A is -55°C to $+125^\circ\text{C}$. All characteristics are measured with zero common-mode input voltage, unless otherwise specified.
- (3) The voltage at either input or common-mode must not be allowed to go negative by more than 0.3 V. The upper end of the common-mode voltage range is $V_{CC+} - 1.5\text{ V}$; however, one input can exceed V_{CC} , and the comparator will provide a proper output state as long as the other input remains in the common-mode range. Either or both inputs can go to 30 V without damage.

7.7 Electrical Characteristics for LMx39 and LMx39A

 at specified free-air temperature, $V_{CC} = 5\text{ V}$ (unless otherwise noted)

| PARAMETER | TEST CONDITIONS ⁽¹⁾ | T_A ⁽²⁾ | LM239 LM339 | | | LM239A LM339A | | | UNIT |
|--|--|----------------------|----------------|------------------------|------|------------------------|-----|------|------|
| | | | MIN | TYP | MAX | MIN | TYP | MAX | |
| V_{IO} Input offset voltage | $V_{CC} = 5\text{ V to } 30\text{ V}$, $V_{IC} = V_{ICR\text{ min}}$, $V_O = 1.4\text{ V}$ | 25°C | | 2 | 5 | | 1 | 3 | mV |
| | | Full range | | | 9 | | | 4 | |
| I_{IO} Input offset current | $V_O = 1.4\text{ V}$ | 25°C | | 5 | 50 | | 5 | 50 | nA |
| | | Full range | | | 150 | | | 150 | |
| I_{IB} Input bias current | $V_O = 1.4\text{ V}$ | 25°C | | -25 | -250 | | -25 | -250 | nA |
| | | Full range | | | -400 | | | -400 | |
| V_{ICR} Common-mode input-voltage range ⁽³⁾ | | 25°C | | 0 to $V_{CC} - 1.5$ | | 0 to $V_{CC} - 1.5$ | | | V |
| | | Full range | | 0 to $V_{CC} - 2$ | | 0 to $V_{CC} - 2$ | | | |
| A_{VD} Large-signal differential-voltage amplification | $V_{CC} = 15\text{ V}$, $V_O = 1.4\text{ V to } 11.4\text{ V}$, $R_L \geq 15\text{ k}\Omega\text{ to } V_{CC}$ | 25°C | | 50 | 200 | | 50 | 200 | V/mV |

- (1) All characteristics are measured with zero common-mode input voltage, unless otherwise specified.
- (2) Full range (MIN to MAX) for LM239/LM239A is -25°C to $+85^\circ\text{C}$, and for LM339/LM339A is 0°C to 70°C . All characteristics are measured with zero common-mode input voltage, unless otherwise specified.
- (3) The voltage at either input or common-mode must not be allowed to go negative by more than 0.3 V. The upper end of the common-mode voltage range is $V_{CC+} - 1.5\text{ V}$; however, one input can exceed V_{CC} , and the comparator will provide a proper output state as long as the other input remains in the common-mode range. Either or both inputs can go to 30 V without damage.

Electrical Characteristics for LMx39 and LMx39A (continued)

at specified free-air temperature, $V_{CC} = 5\text{ V}$ (unless otherwise noted)

| PARAMETER | TEST CONDITIONS ⁽¹⁾ | T_A ⁽²⁾ | LM239 LM339 | | | LM239A LM339A | | | UNIT |
|---|--|------------------------|----------------|-----|-----|------------------|-----|-----|---------|
| | | | MIN | TYP | MAX | MIN | TYP | MAX | |
| I_{OH} High-level output current | $V_{ID} = 1\text{ V}$ | $V_{OH} = 5\text{ V}$ | 25°C | | | 0.1 50 | | | nA |
| | | $V_{OH} = 30\text{ V}$ | Full range | | | 1 | | | 1 μA |
| V_{OL} Low-level output voltage | $V_{ID} = -1\text{ V},$ $I_{OL} = 4\text{ mA}$ | 25°C | 150 400 | | | 150 400 | | | mV |
| | | Full range | 700 | | | 700 | | | |
| I_{OL} Low-level output current | $V_{ID} = -1\text{ V},$ $V_{OL} = 1.5\text{ V}$ | 25°C | 6 16 | | | 6 16 | | | mA |
| I_{CC} Supply current (four comparators) | $V_O = 2.5\text{ V},$ No load | 25°C | 0.8 2 | | | 0.8 2 | | | mA |

7.8 Electrical Characteristics for LM2901, LM2901V and LM2901AV

at specified free-air temperature, $V_{CC} = 5\text{ V}$ (unless otherwise noted)

| PARAMETER | TEST CONDITIONS ⁽¹⁾ | T_A ⁽²⁾ | LM2901 | | | UNIT |
|--|---|------------------------------------|------------------------|-----|------|---------------|
| | | | MIN | TYP | MAX | |
| V_{IO} Input offset voltage | $V_{IC} = V_{ICR}\text{ min},$ $V_O = 1.4\text{ V},$ $V_{CC} = 5\text{ V to MAX}^{(3)}$ | Non-A devices | 25°C | 2 7 | | mV |
| | | | Full range | 15 | | |
| | | A-suffix devices | 25°C | 1 2 | | |
| | | | Full range | 4 | | |
| I_{IO} Input offset current | $V_O = 1.4\text{ V}$ | 25°C | 5 50 | | nA | |
| | | Full range | 200 | | | |
| I_{IB} Input bias current | $V_O = 1.4\text{ V}$ | 25°C | -25 -250 | | nA | |
| | | Full range | -500 | | | |
| V_{ICR} Common-mode input-voltage range ⁽⁴⁾ | | 25°C | 0 to $V_{CC} - 1.5$ | | V | |
| | | Full range | 0 to $V_{CC} - 2$ | | | |
| A_{VD} Large-signal differential-voltage amplification | $V_{CC} = 15\text{ V}, V_O = 1.4\text{ V to } 11.4\text{ V},$ $R_L \geq 15\text{ k}\Omega\text{ to } V_{CC}$ | 25°C | 25 100 | | V/mV | |
| I_{OH} High-level output current | $V_{ID} = 1\text{ V}$ | $V_{OH} = 5\text{ V}$ | 25°C | | | 0.1 50 nA |
| | | $V_{OH} = V_{CC}\text{ MAX}^{(3)}$ | Full range | | | 1 μA |
| V_{OL} Low-level output voltage | $V_{ID} = -1\text{ V},$ $I_{OL} = 4\text{ mA}$ | Non-V devices | 25°C | | | 150 500 mV |
| | | V-suffix devices | 150 400 | | | |
| | | All devices | Full range | | | 700 |
| I_{OL} Low-level output current | $V_{ID} = -1\text{ V},$ $V_{OL} = 1.5\text{ V}$ | 25°C | 6 16 | | | mA |
| I_{CC} Supply current (four comparators) | $V_O = 2.5\text{ V},$ No load | $V_{CC} = 5\text{ V}$ | 25°C | | | 0.8 2 mA |
| | | $V_{CC} = \text{MAX}^{(3)}$ | 1 2.5 | | | |

- (1) All characteristics are measured with zero common-mode input voltage, unless otherwise specified.
- (2) Full range (MIN to MAX) for LM2901 is -40°C to $+125^\circ\text{C}$. All characteristics are measured with zero common-mode input voltage, unless otherwise specified.
- (3) $V_{CC}\text{ MAX} = 30\text{ V}$ for non-V devices, and 32 V for V-suffix devices
- (4) The voltage at either input or common-mode must not be allowed to go negative by more than 0.3 V . The upper end of the common-mode voltage range is $V_{CC+} - 1.5\text{ V}$; however, one input can exceed V_{CC} , and the comparator will provide a proper output state as long as the other input remains in the common-mode range. Either or both inputs can go to $V_{CC}\text{ MAX}$ without damage.

7.9 Switching Characteristics for LM2901

 $V_{CC} = 5\text{ V}$, $T_A = 25^\circ\text{C}$

| PARAMETER | TEST CONDITIONS | | LM2901 | UNIT |
|---------------|--|---------------------------------------|--------|---------------|
| | | | TYP | |
| Response time | R_L connected to 5 V through 5.1 k Ω , $C_L = 15\text{ pF}^{(1)(2)}$ | 100-mV input step with 5-mV overdrive | 1.3 | μs |
| | | TTL-level input step | 0.3 | |

(1) C_L includes probe and jig capacitance.

(2) The response time specified is the interval between the input step function and the instant when the output crosses 1.4 V.

7.10 Switching Characteristics for LM139 and LM139A

 $V_{CC} = 5\text{ V}$, $T_A = 25^\circ\text{C}$

| PARAMETER | TEST CONDITIONS | | LM139 LM139A | UNIT |
|---------------|--|---------------------------------------|-----------------|---------------|
| | | | TYP | |
| Response time | R_L connected to 5 V through 5.1 k Ω , $C_L = 15\text{ pF}^{(1)(2)}$ | 100-mV input step with 5-mV overdrive | 1.3 | μs |
| | | TTL-level input step | 0.3 | |

(1) C_L includes probe and jig capacitance.

(2) The response time specified is the interval between the input step function and the instant when the output crosses 1.4 V.

7.11 Switching Characteristics for LMx39 and LMx39A

 $V_{CC} = 5\text{ V}$, $T_A = 25^\circ\text{C}$

| PARAMETER | TEST CONDITIONS | | LM239 LM239A LM339 LM339A | UNIT |
|---------------|--|---------------------------------------|------------------------------------|---------------|
| | | | TYP | |
| Response time | R_L connected to 5 V through 5.1 k Ω , $C_L = 15\text{ pF}^{(1)(2)}$ | 100-mV input step with 5-mV overdrive | 1.3 | μs |
| | | TTL-level input step | 0.3 | |

(1) C_L includes probe and jig capacitance.

(2) The response time specified is the interval between the input step function and the instant when the output crosses 1.4 V.

7.12 Typical Characteristics

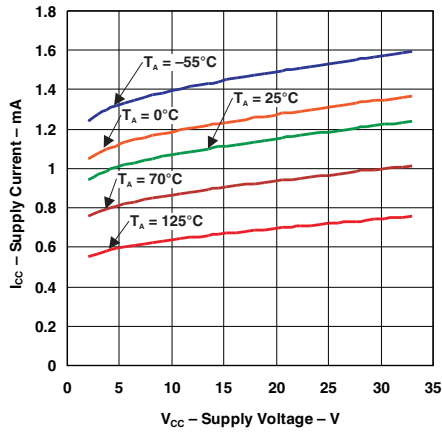


Figure 1. Supply Current vs Supply Voltage

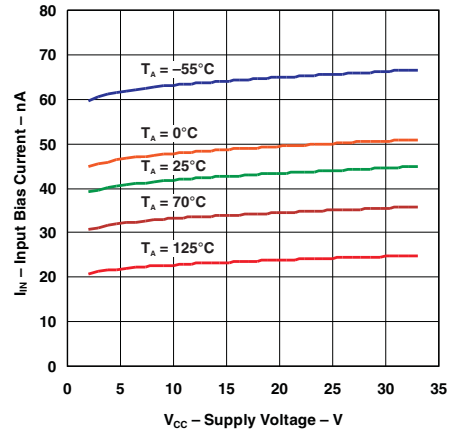


Figure 2. Input Bias Current vs Supply Voltage

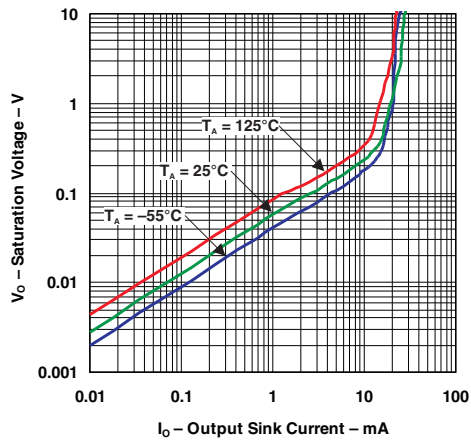


Figure 3. Output Saturation Voltage

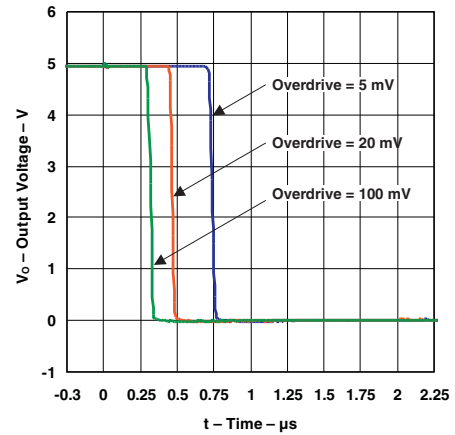


Figure 4. Response Time for Various Overdrives
 Negative Transition

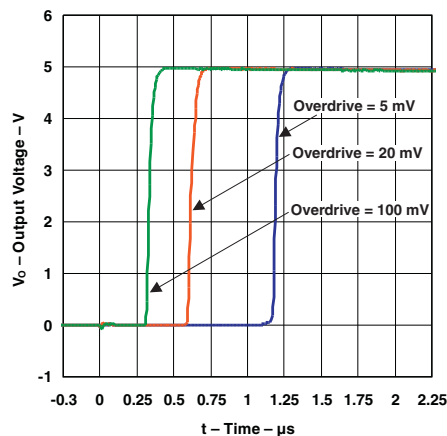


Figure 5. Response Time for Various Overdrives
 Positive Transition

8 Detailed Description

8.1 Overview

The LMx39 and LM2901x are quad comparators with the ability to operate up to an absolute maximum of 36 V on the supply pin. This standard device has proven ubiquity and versatility across a wide range of applications. This is due to very wide supply voltages range (2 V up to 32 V), low I_q , and fast response of the device.

The open-drain output allows the user to configure the output logic low voltage (V_{OL}) and allows the comparator to be used in AND functionality.

8.2 Functional Block Diagram

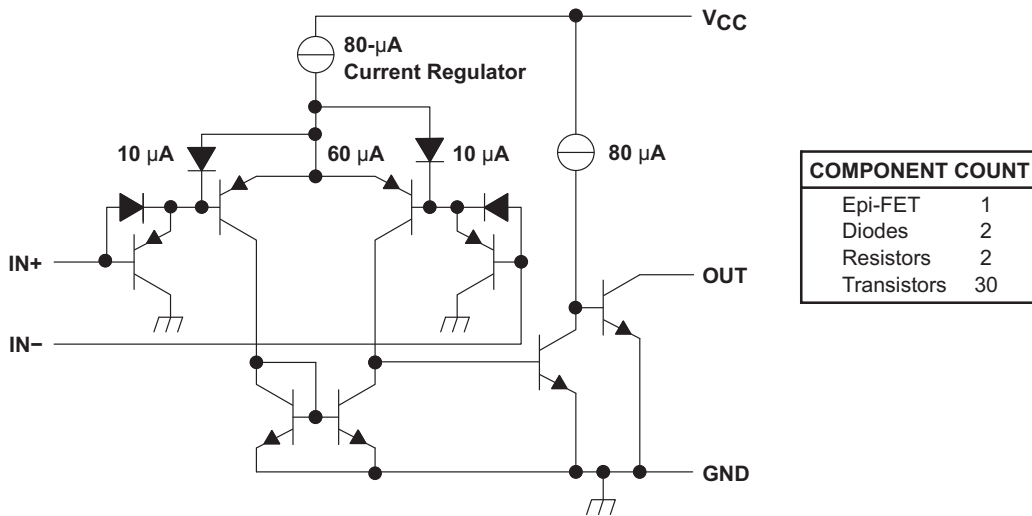


Figure 6. Schematic (Each Comparator)

8.3 Feature Description

The comparator consists of a PNP Darlington pair input, allowing the device to operate with very high gain and fast response with minimal input bias current. The input Darlington pair creates a limit on the input common-mode voltage capability, allowing the comparator to accurately function from ground to ($V_{CC} - 1.5$ V) differential input. Allow for ($V_{CC} - 2$ V) at cold temperature.

The output consists of an open-collector NPN (pulldown or low-side) transistor. The output NPN sinks current when the negative input voltage is higher than the positive input voltage and the offset voltage. The V_{OL} is resistive and scales with the output current. See the [Specifications](#) section for V_{OL} values with respect to the output current.

8.4 Device Functional Modes

8.4.1 Voltage Comparison

The comparator operates solely as a voltage comparator, comparing the differential voltage between the positive and negative pins and outputting a logic low or high impedance (logic high with pullup) based on the input differential polarity.

9 Application and Implementation

NOTE

Information in the following applications sections is not part of the TI component specification, and TI does not warrant its accuracy or completeness. TI's customers are responsible for determining suitability of components for their purposes. Validate and test the design implementation to confirm system functionality.

9.1 Application Information

Typically, a comparator compares either a single signal to a reference, or to two different signals. Many users take advantage of the open-drain output to drive the comparison logic output to a logic voltage level to an MCU or logic device. The wide supply range and high voltage capability makes LMx39 or LM2901x optimal for level shifting to a higher or lower voltage.

9.2 Typical Application

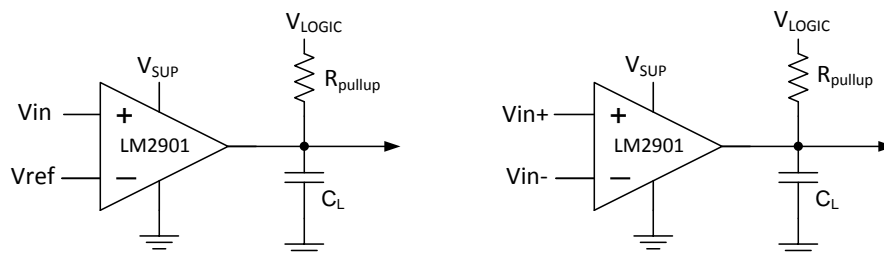


Figure 7. Single-ended and Differential Comparator Configurations

9.2.1 Design Requirements

For this design example, use the parameters listed in Table 1 as the input parameters.

Table 1. Design Parameters

| DESIGN PARAMETER | EXAMPLE VALUE |
|---------------------------------|---------------------------|
| Input Voltage Range | 0 V to $V_{sup}-1.5$ V |
| Supply Voltage | 4.5 V to V_{CC} maximum |
| Logic Supply Voltage | 0 V to V_{CC} maximum |
| Output Current (R_{PULLUP}) | 1 μ A to 4 mA |
| Input Overdrive Voltage | 100 mV |
| Reference Voltage | 2.5 V |
| Load Capacitance (C_L) | 15 pF |

9.2.2 Detailed Design Procedure

When using the LMx39 in a general comparator application, determine the following:

- Input voltage range
- Minimum overdrive voltage
- Output and drive current
- Response time

9.2.2.1 Input Voltage Range

When choosing the input voltage range, the input common-mode voltage range (V_{ICR}) must be taken in to account. If temperature operation is above or below 25°C the V_{ICR} can range from 0 V to $V_{CC} - 2$ V. This limits the input voltage range to as high as $V_{CC} - 2$ V and as low as 0 V. Operation outside of this range can yield incorrect comparisons.

The following list describes the outcomes of some input voltage situations.

- When both IN⁻ and IN⁺ are both within the common-mode range:
 - If IN⁻ is higher than IN⁺ and the offset voltage, the output is low and the output transistor is sinking current
 - If IN⁻ is lower than IN⁺ and the offset voltage, the output is high impedance and the output transistor is not conducting
- When IN⁻ is higher than common mode and IN⁺ is within common mode, the output is low and the output transistor is sinking current
- When IN⁺ is higher than common mode and IN⁻ is within common mode, the output is high impedance and the output transistor is not conducting
- When IN⁻ and IN⁺ are both higher than common mode, the output is low and the output transistor is sinking current

9.2.2.2 Minimum Overdrive Voltage

Overdrive voltage is the differential voltage produced between the positive and negative inputs of the comparator over the offset voltage (V_{IO}). To make an accurate comparison, the overdrive voltage (V_{OD}) must be higher than the input offset voltage (V_{IO}). Overdrive voltage can also determine the response time of the comparator, with the response time decreasing with increasing overdrive. [Figure 8](#) and [Figure 9](#) show positive and negative response times with respect to overdrive voltage.

9.2.2.3 Output and Drive Current

Output current is determined by the load and pullup resistance and logic and pullup voltage. The output current produces a low-level output voltage (V_{OL}) from the comparator, where V_{OL} is proportional to the output current.

The output current can also effect the transient response.

9.2.2.4 Response Time

Response time is a function of input over-drive. See the [Typical Characteristics](#) graphs for typical response times. The rise and fall times can be determined by the load capacitance (C_L), load/pull-up resistance (R_{PULLUP}) and equivalent collector-emitter resistance (R_{CE}).

- The rise time (τ_R) is approximately $\tau_R \sim R_{PULLUP} \times C_L$
- The fall time (τ_F) is approximately $\tau_F \sim R_{CE} \times C_L$
 - R_{CE} can be determined by taking the slope of [Figure 3](#) in its linear region at the desired temperature, or by dividing the V_{OL} by I_{OUT}

9.2.3 Application Curves

Figure 8 and Figure 9 were generated with scope probe parasitic capacitance of 50 pF.



10 Power Supply Recommendations

For fast response and comparison applications with noisy or AC inputs, use a bypass capacitor on the supply pin to reject any variation on the supply voltage. This variation can affect the common-mode range of the comparator input and create an inaccurate comparison.

11 Layout

11.1 Layout Guidelines

To create an accurate comparator application without hysteresis, maintain a stable power supply with minimized noise and glitches, which can affect the high level input common-mode voltage range. To achieve this accuracy, add a bypass capacitor between the supply voltage and ground. Place a bypass capacitor on the positive power supply and negative supply (if available).

NOTE

If a negative supply is not being used, do not place a capacitor between the GND pin of the device and system ground.

11.2 Layout Example

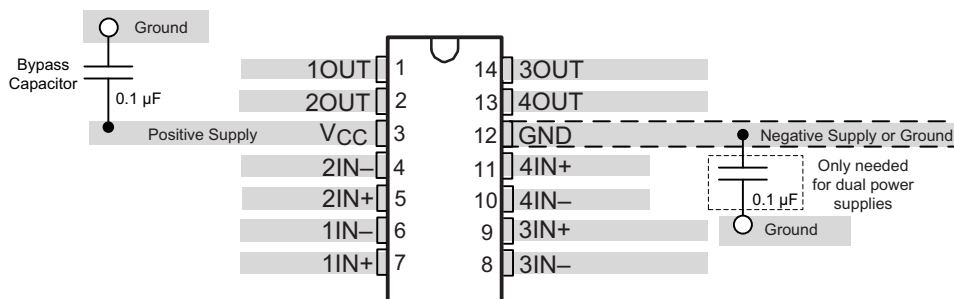


Figure 10. LMx39 Layout Example

12 Device and Documentation Support

12.1 Related Links

The table below lists quick access links. Categories include technical documents, support and community resources, tools and software, and quick access to sample or buy.

Table 2. Related Links

| PARTS | PRODUCT FOLDER | SAMPLE & BUY | TECHNICAL DOCUMENTS | TOOLS & SOFTWARE | SUPPORT & COMMUNITY |
|----------|----------------------------|----------------------------|----------------------------|----------------------------|----------------------------|
| LM139 | Click here | Click here | Click here | Click here | Click here |
| LM239 | Click here | Click here | Click here | Click here | Click here |
| LM339 | Click here | Click here | Click here | Click here | Click here |
| LM139A | Click here | Click here | Click here | Click here | Click here |
| LM239A | Click here | Click here | Click here | Click here | Click here |
| LM339A | Click here | Click here | Click here | Click here | Click here |
| LM2901 | Click here | Click here | Click here | Click here | Click here |
| LM2901AV | Click here | Click here | Click here | Click here | Click here |
| LM2901V | Click here | Click here | Click here | Click here | Click here |

12.2 Receiving Notification of Documentation Updates

To receive notification of documentation updates, navigate to the device product folder on ti.com. In the upper right corner, click on *Alert me* to register and receive a weekly digest of any product information that has changed. For change details, review the revision history included in any revised document.

12.3 Community Resources

The following links connect to TI community resources. Linked contents are provided "AS IS" by the respective contributors. They do not constitute TI specifications and do not necessarily reflect TI's views; see TI's [Terms of Use](#).

TI E2E™ Online Community *TI's Engineer-to-Engineer (E2E) Community*. Created to foster collaboration among engineers. At e2e.ti.com, you can ask questions, share knowledge, explore ideas and help solve problems with fellow engineers.

Design Support *TI's Design Support* Quickly find helpful E2E forums along with design support tools and contact information for technical support.

12.4 Trademarks

E2E is a trademark of Texas Instruments.
All other trademarks are the property of their respective owners.

12.5 Electrostatic Discharge Caution



These devices have limited built-in ESD protection. The leads should be shorted together or the device placed in conductive foam during storage or handling to prevent electrostatic damage to the MOS gates.

12.6 Glossary

SLYZ022 — *TI Glossary*.

This glossary lists and explains terms, acronyms, and definitions.

13 Mechanical, Packaging, and Orderable Information

The following pages include mechanical packaging and orderable information. This information is the most current data available for the designated devices. This data is subject to change without notice and revision of this document. For browser based versions of this data sheet, refer to the left hand navigation.

PACKAGING INFORMATION

| Orderable Device | Status (1) | Package Type | Package Drawing | Pins | Package Qty | Eco Plan (2) | Lead/Ball Finish (6) | MSL Peak Temp (3) | Op Temp (°C) | Device Marking (4/5) | Samples |
|------------------|---------------|--------------|-----------------|------|-------------|-------------------------|-------------------------|----------------------|--------------|-------------------------|-------------------------|
| LM139AD | ACTIVE | SOIC | D | 14 | 50 | Green (RoHS & no Sb/Br) | CU NIPDAU | Level-1-260C-UNLIM | -55 to 125 | LM139A | Samples |
| LM139ADG4 | ACTIVE | SOIC | D | 14 | 50 | Green (RoHS & no Sb/Br) | CU NIPDAU | Level-1-260C-UNLIM | -55 to 125 | LM139A | Samples |
| LM139ADR | ACTIVE | SOIC | D | 14 | 2500 | Green (RoHS & no Sb/Br) | CU NIPDAU | Level-1-260C-UNLIM | -55 to 125 | LM139A | Samples |
| LM139ADRG4 | ACTIVE | SOIC | D | 14 | 2500 | Green (RoHS & no Sb/Br) | CU NIPDAU | Level-1-260C-UNLIM | -55 to 125 | LM139A | Samples |
| LM139D | ACTIVE | SOIC | D | 14 | 50 | Green (RoHS & no Sb/Br) | CU NIPDAU | Level-1-260C-UNLIM | -55 to 125 | LM139 | Samples |
| LM139DG4 | ACTIVE | SOIC | D | 14 | 50 | Green (RoHS & no Sb/Br) | CU NIPDAU | Level-1-260C-UNLIM | -55 to 125 | LM139 | Samples |
| LM139DR | ACTIVE | SOIC | D | 14 | 2500 | Green (RoHS & no Sb/Br) | CU NIPDAU | Level-1-260C-UNLIM | -55 to 125 | LM139 | Samples |
| LM139DRG4 | ACTIVE | SOIC | D | 14 | 2500 | Green (RoHS & no Sb/Br) | CU NIPDAU | Level-1-260C-UNLIM | -55 to 125 | LM139 | Samples |
| LM239AD | ACTIVE | SOIC | D | 14 | 50 | Green (RoHS & no Sb/Br) | CU NIPDAU | Level-1-260C-UNLIM | -25 to 85 | LM239A | Samples |
| LM239ADE4 | ACTIVE | SOIC | D | 14 | 50 | Green (RoHS & no Sb/Br) | CU NIPDAU | Level-1-260C-UNLIM | -25 to 85 | LM239A | Samples |
| LM239ADR | ACTIVE | SOIC | D | 14 | 2500 | Green (RoHS & no Sb/Br) | CU NIPDAU CU SN | Level-1-260C-UNLIM | -25 to 85 | LM239A | Samples |
| LM239ADRE4 | ACTIVE | SOIC | D | 14 | 2500 | Green (RoHS & no Sb/Br) | CU NIPDAU | Level-1-260C-UNLIM | -25 to 85 | LM239A | Samples |
| LM239ADRG4 | ACTIVE | SOIC | D | 14 | 2500 | Green (RoHS & no Sb/Br) | CU NIPDAU | Level-1-260C-UNLIM | -25 to 85 | LM239A | Samples |
| LM239D | ACTIVE | SOIC | D | 14 | 50 | Green (RoHS & no Sb/Br) | CU NIPDAU | Level-1-260C-UNLIM | -25 to 85 | LM239 | Samples |
| LM239DE4 | ACTIVE | SOIC | D | 14 | 50 | Green (RoHS & no Sb/Br) | CU NIPDAU | Level-1-260C-UNLIM | -25 to 85 | LM239 | Samples |
| LM239DR | ACTIVE | SOIC | D | 14 | 2500 | Green (RoHS & no Sb/Br) | CU NIPDAU CU SN | Level-1-260C-UNLIM | -25 to 85 | LM239 | Samples |
| LM239DRG3 | ACTIVE | SOIC | D | 14 | 2500 | Green (RoHS & no Sb/Br) | CU SN | Level-1-260C-UNLIM | -25 to 85 | LM239 | Samples |

| Orderable Device | Status (1) | Package Type | Package Drawing | Pins | Package Qty | Eco Plan (2) | Lead/Ball Finish (6) | MSL Peak Temp (3) | Op Temp (°C) | Device Marking (4/5) | Samples |
|------------------|---------------|--------------|--------------------|------|----------------|----------------------------|-------------------------|----------------------|--------------|-------------------------|-------------------------|
| LM239DRG4 | ACTIVE | SOIC | D | 14 | 2500 | Green (RoHS & no Sb/Br) | CU NIPDAU | Level-1-260C-UNLIM | -25 to 85 | LM239 | Samples |
| LM239N | ACTIVE | PDIP | N | 14 | 25 | Green (RoHS & no Sb/Br) | CU NIPDAU CU SN | N / A for Pkg Type | -25 to 85 | LM239N | Samples |
| LM239PW | ACTIVE | TSSOP | PW | 14 | 90 | Green (RoHS & no Sb/Br) | CU NIPDAU | Level-1-260C-UNLIM | -25 to 85 | L239 | Samples |
| LM239PWR | ACTIVE | TSSOP | PW | 14 | 2000 | Green (RoHS & no Sb/Br) | CU NIPDAU CU SN | Level-1-260C-UNLIM | -25 to 85 | L239 | Samples |
| LM239PWRE4 | ACTIVE | TSSOP | PW | 14 | 2000 | Green (RoHS & no Sb/Br) | CU NIPDAU | Level-1-260C-UNLIM | -25 to 85 | L239 | Samples |
| LM239PWRG4 | ACTIVE | TSSOP | PW | 14 | 2000 | Green (RoHS & no Sb/Br) | CU NIPDAU | Level-1-260C-UNLIM | -25 to 85 | L239 | Samples |
| LM2901AVQDR | ACTIVE | SOIC | D | 14 | 2500 | Green (RoHS & no Sb/Br) | CU NIPDAU | Level-1-260C-UNLIM | -40 to 125 | L2901AV | Samples |
| LM2901AVQDRG4 | ACTIVE | SOIC | D | 14 | 2500 | Green (RoHS & no Sb/Br) | CU NIPDAU | Level-1-260C-UNLIM | -40 to 125 | L2901AV | Samples |
| LM2901AVQPWR | ACTIVE | TSSOP | PW | 14 | 2000 | Green (RoHS & no Sb/Br) | CU NIPDAU | Level-1-260C-UNLIM | -40 to 125 | L2901AV | Samples |
| LM2901AVQPWRG4 | ACTIVE | TSSOP | PW | 14 | 2000 | Green (RoHS & no Sb/Br) | CU NIPDAU | Level-1-260C-UNLIM | -40 to 125 | L2901AV | Samples |
| LM2901D | ACTIVE | SOIC | D | 14 | 50 | Green (RoHS & no Sb/Br) | CU NIPDAU | Level-1-260C-UNLIM | -40 to 125 | LM2901 | Samples |
| LM2901DE4 | ACTIVE | SOIC | D | 14 | 50 | Green (RoHS & no Sb/Br) | CU NIPDAU | Level-1-260C-UNLIM | -40 to 125 | LM2901 | Samples |
| LM2901DG4 | ACTIVE | SOIC | D | 14 | 50 | Green (RoHS & no Sb/Br) | CU NIPDAU | Level-1-260C-UNLIM | -40 to 125 | LM2901 | Samples |
| LM2901DR | ACTIVE | SOIC | D | 14 | 2500 | Green (RoHS & no Sb/Br) | CU NIPDAU CU SN | Level-1-260C-UNLIM | -40 to 125 | LM2901 | Samples |
| LM2901DRE4 | ACTIVE | SOIC | D | 14 | 2500 | Green (RoHS & no Sb/Br) | CU NIPDAU | Level-1-260C-UNLIM | -40 to 125 | LM2901 | Samples |
| LM2901DRG3 | ACTIVE | SOIC | D | 14 | 2500 | Green (RoHS & no Sb/Br) | CU SN | Level-1-260C-UNLIM | -40 to 125 | LM2901 | Samples |
| LM2901DRG4 | ACTIVE | SOIC | D | 14 | 2500 | Green (RoHS & no Sb/Br) | CU NIPDAU | Level-1-260C-UNLIM | -40 to 125 | LM2901 | Samples |
| LM2901N | ACTIVE | PDIP | N | 14 | 25 | Green (RoHS & no Sb/Br) | CU NIPDAU | N / A for Pkg Type | -40 to 125 | LM2901N | Samples |

| Orderable Device | Status (1) | Package Type | Package Drawing | Pins | Package Qty | Eco Plan (2) | Lead/Ball Finish (6) | MSL Peak Temp (3) | Op Temp (°C) | Device Marking (4/5) | Samples |
|------------------|---------------|--------------|--------------------|------|----------------|----------------------------|-------------------------|----------------------|--------------|-------------------------|-------------------------|
| LM2901NE4 | ACTIVE | PDIP | N | 14 | 25 | Green (RoHS & no Sb/Br) | CU NIPDAU | N / A for Pkg Type | -40 to 125 | LM2901N | Samples |
| LM2901NSR | ACTIVE | SO | NS | 14 | 2000 | Green (RoHS & no Sb/Br) | CU NIPDAU | Level-1-260C-UNLIM | -40 to 125 | LM2901 | Samples |
| LM2901PW | ACTIVE | TSSOP | PW | 14 | 90 | Green (RoHS & no Sb/Br) | CU NIPDAU | Level-1-260C-UNLIM | -40 to 125 | L2901 | Samples |
| LM2901PWG4 | ACTIVE | TSSOP | PW | 14 | 90 | Green (RoHS & no Sb/Br) | CU NIPDAU | Level-1-260C-UNLIM | -40 to 125 | L2901 | Samples |
| LM2901PWR | ACTIVE | TSSOP | PW | 14 | 2000 | Green (RoHS & no Sb/Br) | CU NIPDAU CU SN | Level-1-260C-UNLIM | -40 to 125 | L2901 | Samples |
| LM2901PWRG3 | ACTIVE | TSSOP | PW | 14 | 2000 | Green (RoHS & no Sb/Br) | CU SN | Level-1-260C-UNLIM | -40 to 125 | L2901 | Samples |
| LM2901PWRG4 | ACTIVE | TSSOP | PW | 14 | 2000 | Green (RoHS & no Sb/Br) | CU NIPDAU | Level-1-260C-UNLIM | -40 to 125 | L2901 | Samples |
| LM2901VQDR | ACTIVE | SOIC | D | 14 | 2500 | Green (RoHS & no Sb/Br) | CU NIPDAU | Level-1-260C-UNLIM | -40 to 125 | L2901V | Samples |
| LM2901VQDRG4 | ACTIVE | SOIC | D | 14 | 2500 | Green (RoHS & no Sb/Br) | CU NIPDAU | Level-1-260C-UNLIM | -40 to 125 | L2901V | Samples |
| LM2901VQPWR | ACTIVE | TSSOP | PW | 14 | 2000 | Green (RoHS & no Sb/Br) | CU NIPDAU | Level-1-260C-UNLIM | -40 to 125 | L2901V | Samples |
| LM2901VQPWRG4 | ACTIVE | TSSOP | PW | 14 | 2000 | Green (RoHS & no Sb/Br) | CU NIPDAU | Level-1-260C-UNLIM | -40 to 125 | L2901V | Samples |
| LM339AD | ACTIVE | SOIC | D | 14 | 50 | Green (RoHS & no Sb/Br) | CU NIPDAU | Level-1-260C-UNLIM | 0 to 70 | LM339A | Samples |
| LM339ADBR | ACTIVE | SSOP | DB | 14 | 2000 | Green (RoHS & no Sb/Br) | CU NIPDAU | Level-1-260C-UNLIM | 0 to 70 | L339A | Samples |
| LM339ADG4 | ACTIVE | SOIC | D | 14 | 50 | Green (RoHS & no Sb/Br) | CU NIPDAU | Level-1-260C-UNLIM | 0 to 70 | LM339A | Samples |
| LM339ADR | ACTIVE | SOIC | D | 14 | 2500 | Green (RoHS & no Sb/Br) | CU NIPDAU CU SN | Level-1-260C-UNLIM | 0 to 70 | LM339A | Samples |
| LM339ADRE4 | ACTIVE | SOIC | D | 14 | 2500 | Green (RoHS & no Sb/Br) | CU NIPDAU | Level-1-260C-UNLIM | 0 to 70 | LM339A | Samples |
| LM339ADRG4 | ACTIVE | SOIC | D | 14 | 2500 | Green (RoHS & no Sb/Br) | CU NIPDAU | Level-1-260C-UNLIM | 0 to 70 | LM339A | Samples |
| LM339AN | ACTIVE | PDIP | N | 14 | 25 | Green (RoHS & no Sb/Br) | CU NIPDAU CU SN | N / A for Pkg Type | 0 to 70 | LM339AN | Samples |

| Orderable Device | Status (1) | Package Type | Package Drawing | Pins | Package Qty | Eco Plan (2) | Lead/Ball Finish (6) | MSL Peak Temp (3) | Op Temp (°C) | Device Marking (4/5) | Samples |
|------------------|---------------|--------------|-----------------|------|-------------|-------------------------|-------------------------|----------------------|--------------|-------------------------|-------------------------|
| LM339ANE4 | ACTIVE | PDIP | N | 14 | 25 | Green (RoHS & no Sb/Br) | CU NIPDAU | N / A for Pkg Type | 0 to 70 | LM339AN | Samples |
| LM339ANSR | ACTIVE | SO | NS | 14 | 2000 | Green (RoHS & no Sb/Br) | CU NIPDAU | Level-1-260C-UNLIM | 0 to 70 | LM339A | Samples |
| LM339ANSRG4 | ACTIVE | SO | NS | 14 | 2000 | Green (RoHS & no Sb/Br) | CU NIPDAU | Level-1-260C-UNLIM | 0 to 70 | LM339A | Samples |
| LM339APW | ACTIVE | TSSOP | PW | 14 | 90 | Green (RoHS & no Sb/Br) | CU NIPDAU | Level-1-260C-UNLIM | 0 to 70 | L339A | Samples |
| LM339APWG4 | ACTIVE | TSSOP | PW | 14 | 90 | Green (RoHS & no Sb/Br) | CU NIPDAU | Level-1-260C-UNLIM | 0 to 70 | L339A | Samples |
| LM339APWR | ACTIVE | TSSOP | PW | 14 | 2000 | Green (RoHS & no Sb/Br) | CU NIPDAU CU SN | Level-1-260C-UNLIM | 0 to 70 | L339A | Samples |
| LM339APWRG4 | ACTIVE | TSSOP | PW | 14 | 2000 | Green (RoHS & no Sb/Br) | CU NIPDAU | Level-1-260C-UNLIM | 0 to 70 | L339A | Samples |
| LM339D | ACTIVE | SOIC | D | 14 | 50 | Green (RoHS & no Sb/Br) | CU NIPDAU | Level-1-260C-UNLIM | 0 to 70 | LM339 | Samples |
| LM339DBR | ACTIVE | SSOP | DB | 14 | 2000 | Green (RoHS & no Sb/Br) | CU NIPDAU | Level-1-260C-UNLIM | 0 to 70 | LM339 | Samples |
| LM339DBRE4 | ACTIVE | SSOP | DB | 14 | 2000 | Green (RoHS & no Sb/Br) | CU NIPDAU | Level-1-260C-UNLIM | 0 to 70 | LM339 | Samples |
| LM339DE4 | ACTIVE | SOIC | D | 14 | 50 | Green (RoHS & no Sb/Br) | CU NIPDAU | Level-1-260C-UNLIM | 0 to 70 | LM339 | Samples |
| LM339DG4 | ACTIVE | SOIC | D | 14 | 50 | Green (RoHS & no Sb/Br) | CU NIPDAU | Level-1-260C-UNLIM | 0 to 70 | LM339 | Samples |
| LM339DR | ACTIVE | SOIC | D | 14 | 2500 | Green (RoHS & no Sb/Br) | CU NIPDAU CU SN | Level-1-260C-UNLIM | 0 to 70 | LM339 | Samples |
| LM339DRE4 | ACTIVE | SOIC | D | 14 | 2500 | Green (RoHS & no Sb/Br) | CU NIPDAU | Level-1-260C-UNLIM | 0 to 70 | LM339 | Samples |
| LM339DRG3 | ACTIVE | SOIC | D | 14 | 2500 | Green (RoHS & no Sb/Br) | CU SN | Level-1-260C-UNLIM | 0 to 70 | LM339 | Samples |
| LM339DRG4 | ACTIVE | SOIC | D | 14 | 2500 | Green (RoHS & no Sb/Br) | CU NIPDAU | Level-1-260C-UNLIM | 0 to 70 | LM339 | Samples |
| LM339N | ACTIVE | PDIP | N | 14 | 25 | Green (RoHS & no Sb/Br) | CU NIPDAU CU SN | N / A for Pkg Type | 0 to 70 | LM339N | Samples |
| LM339NE3 | ACTIVE | PDIP | N | 14 | 25 | Pb-Free (RoHS) | CU SN | N / A for Pkg Type | 0 to 70 | LM339N | Samples |

| Orderable Device | Status (1) | Package Type | Package Drawing | Pins | Package Qty | Eco Plan (2) | Lead/Ball Finish (6) | MSL Peak Temp (3) | Op Temp (°C) | Device Marking (4/5) | Samples |
|------------------|---------------|--------------|-----------------|------|-------------|-------------------------|-------------------------|----------------------|--------------|-------------------------|-------------------------|
| LM339NE4 | ACTIVE | PDIP | N | 14 | 25 | Green (RoHS & no Sb/Br) | CU NIPDAU | N / A for Pkg Type | 0 to 70 | LM339N | Samples |
| LM339NSR | ACTIVE | SO | NS | 14 | 2000 | Green (RoHS & no Sb/Br) | CU NIPDAU | Level-1-260C-UNLIM | 0 to 70 | LM339 | Samples |
| LM339NSRG4 | ACTIVE | SO | NS | 14 | 2000 | Green (RoHS & no Sb/Br) | CU NIPDAU | Level-1-260C-UNLIM | 0 to 70 | LM339 | Samples |
| LM339PW | ACTIVE | TSSOP | PW | 14 | 90 | Green (RoHS & no Sb/Br) | CU NIPDAU | Level-1-260C-UNLIM | 0 to 70 | L339 | Samples |
| LM339PWG4 | ACTIVE | TSSOP | PW | 14 | 90 | Green (RoHS & no Sb/Br) | CU NIPDAU | Level-1-260C-UNLIM | 0 to 70 | L339 | Samples |
| LM339PWR | ACTIVE | TSSOP | PW | 14 | 2000 | Green (RoHS & no Sb/Br) | CU NIPDAU CU SN | Level-1-260C-UNLIM | 0 to 70 | L339 | Samples |
| LM339PWRE4 | ACTIVE | TSSOP | PW | 14 | 2000 | Green (RoHS & no Sb/Br) | CU NIPDAU | Level-1-260C-UNLIM | 0 to 70 | L339 | Samples |
| LM339PWRG3 | ACTIVE | TSSOP | PW | 14 | 2000 | Green (RoHS & no Sb/Br) | CU SN | Level-1-260C-UNLIM | 0 to 70 | L339 | Samples |
| LM339PWRG4 | ACTIVE | TSSOP | PW | 14 | 2000 | Green (RoHS & no Sb/Br) | CU NIPDAU | Level-1-260C-UNLIM | 0 to 70 | L339 | Samples |

(1) The marketing status values are defined as follows:

ACTIVE: Product device recommended for new designs.

LIFEBUY: TI has announced that the device will be discontinued, and a lifetime-buy period is in effect.

NRND: Not recommended for new designs. Device is in production to support existing customers, but TI does not recommend using this part in a new design.

PREVIEW: Device has been announced but is not in production. Samples may or may not be available.

OBSELETE: TI has discontinued the production of the device.

(2) **RoHS:** TI defines "RoHS" to mean semiconductor products that are compliant with the current EU RoHS requirements for all 10 RoHS substances, including the requirement that RoHS substance do not exceed 0.1% by weight in homogeneous materials. Where designed to be soldered at high temperatures, "RoHS" products are suitable for use in specified lead-free processes. TI may reference these types of products as "Pb-Free".

RoHS Exempt: TI defines "RoHS Exempt" to mean products that contain lead but are compliant with EU RoHS pursuant to a specific EU RoHS exemption.

Green: TI defines "Green" to mean the content of Chlorine (Cl) and Bromine (Br) based flame retardants meet JS709B low halogen requirements of <=1000ppm threshold. Antimony trioxide based flame retardants must also meet the <=1000ppm threshold requirement.

(3) MSL, Peak Temp. - The Moisture Sensitivity Level rating according to the JEDEC industry standard classifications, and peak solder temperature.

(4) There may be additional marking, which relates to the logo, the lot trace code information, or the environmental category on the device.

⁽⁵⁾ Multiple Device Markings will be inside parentheses. Only one Device Marking contained in parentheses and separated by a "-" will appear on a device. If a line is indented then it is a continuation of the previous line and the two combined represent the entire Device Marking for that device.

⁽⁶⁾ Lead/Ball Finish - Orderable Devices may have multiple material finish options. Finish options are separated by a vertical ruled line. Lead/Ball Finish values may wrap to two lines if the finish value exceeds the maximum column width.

Important Information and Disclaimer:The information provided on this page represents TI's knowledge and belief as of the date that it is provided. TI bases its knowledge and belief on information provided by third parties, and makes no representation or warranty as to the accuracy of such information. Efforts are underway to better integrate information from third parties. TI has taken and continues to take reasonable steps to provide representative and accurate information but may not have conducted destructive testing or chemical analysis on incoming materials and chemicals. TI and TI suppliers consider certain information to be proprietary, and thus CAS numbers and other limited information may not be available for release.

In no event shall TI's liability arising out of such information exceed the total purchase price of the TI part(s) at issue in this document sold by TI to Customer on an annual basis.

OTHER QUALIFIED VERSIONS OF LM139, LM239A, LM2901, LM2901AV, LM2901V :

- Automotive: [LM239A-Q1](#), [LM2901-Q1](#), [LM2901AV-Q1](#), [LM2901V-Q1](#)

- Enhanced Product: [LM239A-EP](#)

- Space: [LM139-SP](#)

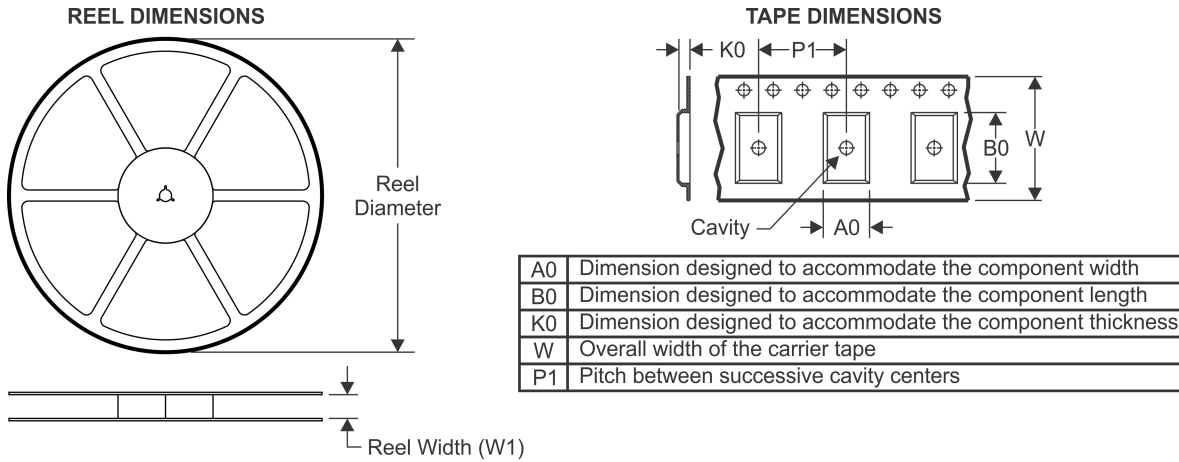
NOTE: Qualified Version Definitions:

- Automotive - Q100 devices qualified for high-reliability automotive applications targeting zero defects

- Enhanced Product - Supports Defense, Aerospace and Medical Applications

- Space - Radiation tolerant, ceramic packaging and qualified for use in Space-based application

TAPE AND REEL INFORMATION



QUADRANT ASSIGNMENTS FOR PIN 1 ORIENTATION IN TAPE



*All dimensions are nominal

| Device | Package Type | Package Drawing | Pins | SPQ | Reel Diameter (mm) | Reel Width W1 (mm) | A0 (mm) | B0 (mm) | K0 (mm) | P1 (mm) | W (mm) | Pin1 Quadrant |
|----------------|--------------|-----------------|------|------|--------------------|--------------------|---------|---------|---------|---------|--------|---------------|
| LM139ADR | SOIC | D | 14 | 2500 | 330.0 | 16.4 | 6.5 | 9.0 | 2.1 | 8.0 | 16.0 | Q1 |
| LM139DRG4 | SOIC | D | 14 | 2500 | 330.0 | 16.4 | 6.5 | 9.0 | 2.1 | 8.0 | 16.0 | Q1 |
| LM139DR | SOIC | D | 14 | 2500 | 330.0 | 16.4 | 6.5 | 9.0 | 2.1 | 8.0 | 16.0 | Q1 |
| LM139DRG4 | SOIC | D | 14 | 2500 | 330.0 | 16.4 | 6.5 | 9.0 | 2.1 | 8.0 | 16.0 | Q1 |
| LM239ADR | SOIC | D | 14 | 2500 | 330.0 | 16.4 | 6.5 | 9.0 | 2.1 | 8.0 | 16.0 | Q1 |
| LM239DR | SOIC | D | 14 | 2500 | 330.0 | 16.8 | 6.5 | 9.5 | 2.1 | 8.0 | 16.0 | Q1 |
| LM239DR | SOIC | D | 14 | 2500 | 330.0 | 16.4 | 6.5 | 9.0 | 2.1 | 8.0 | 16.0 | Q1 |
| LM239DR | SOIC | D | 14 | 2500 | 330.0 | 17.0 | 6.4 | 9.05 | 2.1 | 8.0 | 16.0 | Q1 |
| LM239DR | SOIC | D | 14 | 2500 | 330.0 | 16.4 | 6.5 | 9.0 | 2.1 | 8.0 | 16.0 | Q1 |
| LM239DRG3 | SOIC | D | 14 | 2500 | 330.0 | 16.8 | 6.5 | 9.5 | 2.1 | 8.0 | 16.0 | Q1 |
| LM239DRG3 | SOIC | D | 14 | 2500 | 330.0 | 17.0 | 6.4 | 9.05 | 2.1 | 8.0 | 16.0 | Q1 |
| LM239DRG4 | SOIC | D | 14 | 2500 | 330.0 | 16.4 | 6.5 | 9.0 | 2.1 | 8.0 | 16.0 | Q1 |
| LM239PWR | TSSOP | PW | 14 | 2000 | 330.0 | 12.4 | 6.9 | 5.6 | 1.6 | 8.0 | 12.0 | Q1 |
| LM239PWR | TSSOP | PW | 14 | 2000 | 330.0 | 12.4 | 6.9 | 5.6 | 1.6 | 8.0 | 12.0 | Q1 |
| LM239PWRG4 | TSSOP | PW | 14 | 2000 | 330.0 | 12.4 | 6.9 | 5.6 | 1.6 | 8.0 | 12.0 | Q1 |
| LM2901AVQPWR | TSSOP | PW | 14 | 2000 | 330.0 | 12.4 | 6.9 | 5.6 | 1.6 | 8.0 | 12.0 | Q1 |
| LM2901AVQPWRG4 | TSSOP | PW | 14 | 2000 | 330.0 | 12.4 | 6.9 | 5.6 | 1.6 | 8.0 | 12.0 | Q1 |

| Device | Package Type | Package Drawing | Pins | SPQ | Reel Diameter (mm) | Reel Width W1 (mm) | A0 (mm) | B0 (mm) | K0 (mm) | P1 (mm) | W (mm) | Pin1 Quadrant |
|---------------|--------------|-----------------|------|------|--------------------|--------------------|---------|---------|---------|---------|--------|---------------|
| LM2901DR | SOIC | D | 14 | 2500 | 330.0 | 16.4 | 6.5 | 9.0 | 2.1 | 8.0 | 16.0 | Q1 |
| LM2901DR | SOIC | D | 14 | 2500 | 330.0 | 16.4 | 6.5 | 9.0 | 2.1 | 8.0 | 16.0 | Q1 |
| LM2901DR | SOIC | D | 14 | 2500 | 330.0 | 16.8 | 6.5 | 9.5 | 2.1 | 8.0 | 16.0 | Q1 |
| LM2901DR | SOIC | D | 14 | 2500 | 330.0 | 17.0 | 6.4 | 9.05 | 2.1 | 8.0 | 16.0 | Q1 |
| LM2901DRG3 | SOIC | D | 14 | 2500 | 330.0 | 17.0 | 6.4 | 9.05 | 2.1 | 8.0 | 16.0 | Q1 |
| LM2901DRG3 | SOIC | D | 14 | 2500 | 330.0 | 16.8 | 6.5 | 9.5 | 2.1 | 8.0 | 16.0 | Q1 |
| LM2901DRG4 | SOIC | D | 14 | 2500 | 330.0 | 16.4 | 6.5 | 9.0 | 2.1 | 8.0 | 16.0 | Q1 |
| LM2901NSR | SO | NS | 14 | 2000 | 330.0 | 16.4 | 8.2 | 10.5 | 2.5 | 12.0 | 16.0 | Q1 |
| LM2901PWR | TSSOP | PW | 14 | 2000 | 330.0 | 12.4 | 6.9 | 5.6 | 1.6 | 8.0 | 12.0 | Q1 |
| LM2901PWR | TSSOP | PW | 14 | 2000 | 330.0 | 12.4 | 6.9 | 5.6 | 1.6 | 8.0 | 12.0 | Q1 |
| LM2901PWRG3 | TSSOP | PW | 14 | 2000 | 330.0 | 12.4 | 6.9 | 5.6 | 1.6 | 8.0 | 12.0 | Q1 |
| LM2901PWRG4 | TSSOP | PW | 14 | 2000 | 330.0 | 12.4 | 6.9 | 5.6 | 1.6 | 8.0 | 12.0 | Q1 |
| LM2901VQPWR | TSSOP | PW | 14 | 2000 | 330.0 | 12.4 | 6.9 | 5.6 | 1.6 | 8.0 | 12.0 | Q1 |
| LM2901VQPWRG4 | TSSOP | PW | 14 | 2000 | 330.0 | 12.4 | 6.9 | 5.6 | 1.6 | 8.0 | 12.0 | Q1 |
| LM339ADR | SOIC | D | 14 | 2500 | 330.0 | 17.0 | 6.4 | 9.05 | 2.1 | 8.0 | 16.0 | Q1 |
| LM339ADR | SOIC | D | 14 | 2500 | 330.0 | 16.8 | 6.5 | 9.5 | 2.1 | 8.0 | 16.0 | Q1 |
| LM339ADR | SOIC | D | 14 | 2500 | 330.0 | 16.4 | 6.5 | 9.0 | 2.1 | 8.0 | 16.0 | Q1 |
| LM339ADR | SOIC | D | 14 | 2500 | 330.0 | 16.4 | 6.5 | 9.0 | 2.1 | 8.0 | 16.0 | Q1 |
| LM339ADRG4 | SOIC | D | 14 | 2500 | 330.0 | 16.4 | 6.5 | 9.0 | 2.1 | 8.0 | 16.0 | Q1 |
| LM339ANSR | SO | NS | 14 | 2000 | 330.0 | 16.4 | 8.2 | 10.5 | 2.5 | 12.0 | 16.0 | Q1 |
| LM339APWR | TSSOP | PW | 14 | 2000 | 330.0 | 12.4 | 6.9 | 5.6 | 1.6 | 8.0 | 12.0 | Q1 |
| LM339APWR | TSSOP | PW | 14 | 2000 | 330.0 | 12.4 | 6.9 | 5.6 | 1.6 | 8.0 | 12.0 | Q1 |
| LM339APWRG4 | TSSOP | PW | 14 | 2000 | 330.0 | 12.4 | 6.9 | 5.6 | 1.6 | 8.0 | 12.0 | Q1 |
| LM339DR | SOIC | D | 14 | 2500 | 330.0 | 16.4 | 6.5 | 9.0 | 2.1 | 8.0 | 16.0 | Q1 |
| LM339DR | SOIC | D | 14 | 2500 | 330.0 | 16.8 | 6.5 | 9.5 | 2.1 | 8.0 | 16.0 | Q1 |
| LM339DR | SOIC | D | 14 | 2500 | 330.0 | 16.4 | 6.5 | 9.0 | 2.1 | 8.0 | 16.0 | Q1 |
| LM339DRG3 | SOIC | D | 14 | 2500 | 330.0 | 16.8 | 6.5 | 9.5 | 2.1 | 8.0 | 16.0 | Q1 |
| LM339DRG3 | SOIC | D | 14 | 2500 | 330.0 | 17.0 | 6.4 | 9.05 | 2.1 | 8.0 | 16.0 | Q1 |
| LM339DRG4 | SOIC | D | 14 | 2500 | 330.0 | 16.4 | 6.5 | 9.0 | 2.1 | 8.0 | 16.0 | Q1 |
| LM339PWR | TSSOP | PW | 14 | 2000 | 330.0 | 12.4 | 6.9 | 5.6 | 1.6 | 8.0 | 12.0 | Q1 |
| LM339PWR | TSSOP | PW | 14 | 2000 | 330.0 | 12.4 | 6.9 | 5.6 | 1.6 | 8.0 | 12.0 | Q1 |
| LM339PWRG3 | TSSOP | PW | 14 | 2000 | 330.0 | 12.4 | 6.9 | 5.6 | 1.6 | 8.0 | 12.0 | Q1 |
| LM339PWRG4 | TSSOP | PW | 14 | 2000 | 330.0 | 12.4 | 6.9 | 5.6 | 1.6 | 8.0 | 12.0 | Q1 |

TAPE AND REEL BOX DIMENSIONS


*All dimensions are nominal

| Device | Package Type | Package Drawing | Pins | SPQ | Length (mm) | Width (mm) | Height (mm) |
|----------------|--------------|-----------------|------|------|-------------|------------|-------------|
| LM139ADR | SOIC | D | 14 | 2500 | 350.0 | 350.0 | 43.0 |
| LM139ADRG4 | SOIC | D | 14 | 2500 | 350.0 | 350.0 | 43.0 |
| LM139DR | SOIC | D | 14 | 2500 | 350.0 | 350.0 | 43.0 |
| LM139DRG4 | SOIC | D | 14 | 2500 | 350.0 | 350.0 | 43.0 |
| LM239ADR | SOIC | D | 14 | 2500 | 367.0 | 367.0 | 38.0 |
| LM239ADR | SOIC | D | 14 | 2500 | 333.2 | 345.9 | 28.6 |
| LM239DR | SOIC | D | 14 | 2500 | 364.0 | 364.0 | 27.0 |
| LM239DR | SOIC | D | 14 | 2500 | 333.2 | 345.9 | 28.6 |
| LM239DR | SOIC | D | 14 | 2500 | 333.2 | 345.9 | 28.6 |
| LM239DR | SOIC | D | 14 | 2500 | 367.0 | 367.0 | 38.0 |
| LM239DRG3 | SOIC | D | 14 | 2500 | 364.0 | 364.0 | 27.0 |
| LM239DRG3 | SOIC | D | 14 | 2500 | 333.2 | 345.9 | 28.6 |
| LM239DRG4 | SOIC | D | 14 | 2500 | 333.2 | 345.9 | 28.6 |
| LM239PWR | TSSOP | PW | 14 | 2000 | 367.0 | 367.0 | 35.0 |
| LM239PWR | TSSOP | PW | 14 | 2000 | 364.0 | 364.0 | 27.0 |
| LM239PWRG4 | TSSOP | PW | 14 | 2000 | 367.0 | 367.0 | 35.0 |
| LM2901AVQPWR | TSSOP | PW | 14 | 2000 | 367.0 | 367.0 | 35.0 |
| LM2901AVQPWRG4 | TSSOP | PW | 14 | 2000 | 367.0 | 367.0 | 35.0 |
| LM2901DR | SOIC | D | 14 | 2500 | 367.0 | 367.0 | 38.0 |
| LM2901DR | SOIC | D | 14 | 2500 | 333.2 | 345.9 | 28.6 |

| Device | Package Type | Package Drawing | Pins | SPQ | Length (mm) | Width (mm) | Height (mm) |
|---------------|--------------|-----------------|------|------|-------------|------------|-------------|
| LM2901DR | SOIC | D | 14 | 2500 | 364.0 | 364.0 | 27.0 |
| LM2901DR | SOIC | D | 14 | 2500 | 333.2 | 345.9 | 28.6 |
| LM2901DRG3 | SOIC | D | 14 | 2500 | 333.2 | 345.9 | 28.6 |
| LM2901DRG3 | SOIC | D | 14 | 2500 | 364.0 | 364.0 | 27.0 |
| LM2901DRG4 | SOIC | D | 14 | 2500 | 333.2 | 345.9 | 28.6 |
| LM2901NSR | SO | NS | 14 | 2000 | 367.0 | 367.0 | 38.0 |
| LM2901PWR | TSSOP | PW | 14 | 2000 | 367.0 | 367.0 | 35.0 |
| LM2901PWR | TSSOP | PW | 14 | 2000 | 364.0 | 364.0 | 27.0 |
| LM2901PWRG3 | TSSOP | PW | 14 | 2000 | 364.0 | 364.0 | 27.0 |
| LM2901PWRG4 | TSSOP | PW | 14 | 2000 | 367.0 | 367.0 | 35.0 |
| LM2901VQPWR | TSSOP | PW | 14 | 2000 | 367.0 | 367.0 | 35.0 |
| LM2901VQPWRG4 | TSSOP | PW | 14 | 2000 | 367.0 | 367.0 | 35.0 |
| LM339ADR | SOIC | D | 14 | 2500 | 333.2 | 345.9 | 28.6 |
| LM339ADR | SOIC | D | 14 | 2500 | 364.0 | 364.0 | 27.0 |
| LM339ADR | SOIC | D | 14 | 2500 | 333.2 | 345.9 | 28.6 |
| LM339ADR | SOIC | D | 14 | 2500 | 367.0 | 367.0 | 38.0 |
| LM339ADRG4 | SOIC | D | 14 | 2500 | 333.2 | 345.9 | 28.6 |
| LM339ANSR | SO | NS | 14 | 2000 | 367.0 | 367.0 | 38.0 |
| LM339APWR | TSSOP | PW | 14 | 2000 | 364.0 | 364.0 | 27.0 |
| LM339APWR | TSSOP | PW | 14 | 2000 | 367.0 | 367.0 | 35.0 |
| LM339APWRG4 | TSSOP | PW | 14 | 2000 | 367.0 | 367.0 | 35.0 |
| LM339DR | SOIC | D | 14 | 2500 | 367.0 | 367.0 | 38.0 |
| LM339DR | SOIC | D | 14 | 2500 | 364.0 | 364.0 | 27.0 |
| LM339DR | SOIC | D | 14 | 2500 | 333.2 | 345.9 | 28.6 |
| LM339DRG3 | SOIC | D | 14 | 2500 | 364.0 | 364.0 | 27.0 |
| LM339DRG3 | SOIC | D | 14 | 2500 | 333.2 | 345.9 | 28.6 |
| LM339DRG4 | SOIC | D | 14 | 2500 | 333.2 | 345.9 | 28.6 |
| LM339PWR | TSSOP | PW | 14 | 2000 | 367.0 | 367.0 | 35.0 |
| LM339PWR | TSSOP | PW | 14 | 2000 | 364.0 | 364.0 | 27.0 |
| LM339PWRG3 | TSSOP | PW | 14 | 2000 | 364.0 | 364.0 | 27.0 |
| LM339PWRG4 | TSSOP | PW | 14 | 2000 | 367.0 | 367.0 | 35.0 |

MECHANICAL DATA

NS (R-PDSO-G**)

PLASTIC SMALL-OUTLINE PACKAGE

14-PINS SHOWN



- NOTES:
- A. All linear dimensions are in millimeters.
 - B. This drawing is subject to change without notice.
 - C. Body dimensions do not include mold flash or protrusion, not to exceed 0,15.

D (R-PDSO-G14)

PLASTIC SMALL OUTLINE



- NOTES:
- A. All linear dimensions are in inches (millimeters).
 - B. This drawing is subject to change without notice.
 -  Body length does not include mold flash, protrusions, or gate burrs. Mold flash, protrusions, or gate burrs shall not exceed 0.006 (0,15) each side.
 -  Body width does not include interlead flash. Interlead flash shall not exceed 0.017 (0,43) each side.
 - E. Reference JEDEC MS-012 variation AB.

D (R-PDSO-G14)

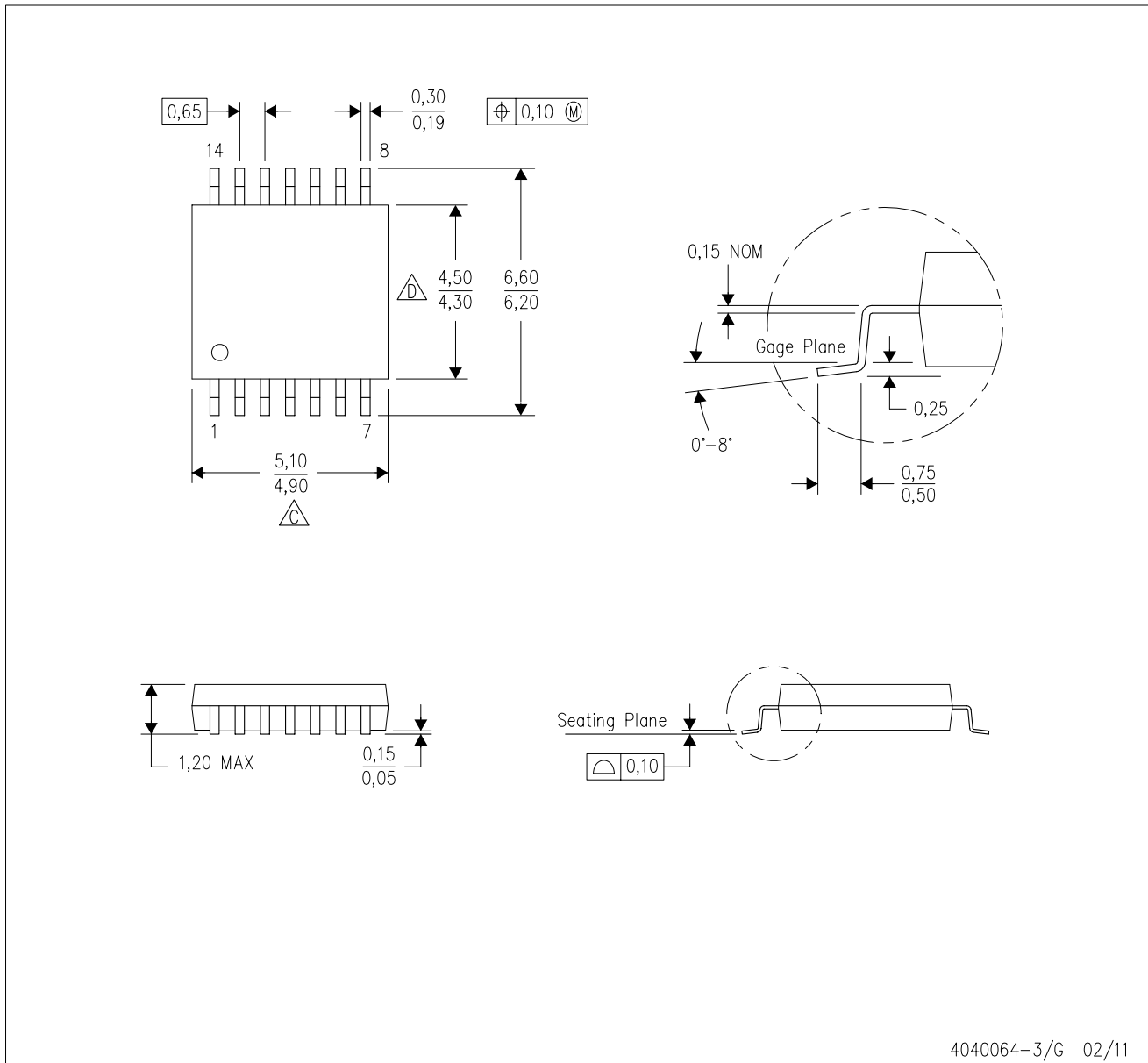
PLASTIC SMALL OUTLINE



- NOTES:
- All linear dimensions are in millimeters.
 - This drawing is subject to change without notice.
 - Publication IPC-7351 is recommended for alternate designs.
 - Laser cutting apertures with trapezoidal walls and also rounding corners will offer better paste release. Customers should contact their board assembly site for stencil design recommendations. Refer to IPC-7525 for other stencil recommendations.
 - Customers should contact their board fabrication site for solder mask tolerances between and around signal pads.

PW (R-PDSO-G14)

PLASTIC SMALL OUTLINE



4040064-3/G 02/11

- NOTES:
- A. All linear dimensions are in millimeters. Dimensioning and tolerancing per ASME Y14.5M-1994.
 - B. This drawing is subject to change without notice.
 - C. Body length does not include mold flash, protrusions, or gate burrs. Mold flash, protrusions, or gate burrs shall not exceed 0,15 each side.
 - D. Body width does not include interlead flash. Interlead flash shall not exceed 0,25 each side.
 - E. Falls within JEDEC MO-153

PW (R-PDSO-G14)

PLASTIC SMALL OUTLINE



- NOTES:
- All linear dimensions are in millimeters.
 - This drawing is subject to change without notice.
 - Publication IPC-7351 is recommended for alternate designs.
 - Laser cutting apertures with trapezoidal walls and also rounding corners will offer better paste release. Customers should contact their board assembly site for stencil design recommendations. Refer to IPC-7525 for other stencil recommendations.
 - Customers should contact their board fabrication site for solder mask tolerances between and around signal pads.

DB (R-PDSO-G**)

PLASTIC SMALL-OUTLINE

28 PINS SHOWN



- NOTES: A. All linear dimensions are in millimeters.
 B. This drawing is subject to change without notice.
 C. Body dimensions do not include mold flash or protrusion not to exceed 0,15.
 D. Falls within JEDEC MO-150

IMPORTANT NOTICE AND DISCLAIMER

TI PROVIDES TECHNICAL AND RELIABILITY DATA (INCLUDING DATASHEETS), DESIGN RESOURCES (INCLUDING REFERENCE DESIGNS), APPLICATION OR OTHER DESIGN ADVICE, WEB TOOLS, SAFETY INFORMATION, AND OTHER RESOURCES "AS IS" AND WITH ALL FAULTS, AND DISCLAIMS ALL WARRANTIES, EXPRESS AND IMPLIED, INCLUDING WITHOUT LIMITATION ANY IMPLIED WARRANTIES OF MERCHANTABILITY, FITNESS FOR A PARTICULAR PURPOSE OR NON-INFRINGEMENT OF THIRD PARTY INTELLECTUAL PROPERTY RIGHTS.

These resources are intended for skilled developers designing with TI products. You are solely responsible for (1) selecting the appropriate TI products for your application, (2) designing, validating and testing your application, and (3) ensuring your application meets applicable standards, and any other safety, security, or other requirements. These resources are subject to change without notice. TI grants you permission to use these resources only for development of an application that uses the TI products described in the resource. Other reproduction and display of these resources is prohibited. No license is granted to any other TI intellectual property right or to any third party intellectual property right. TI disclaims responsibility for, and you will fully indemnify TI and its representatives against, any claims, damages, costs, losses, and liabilities arising out of your use of these resources.

TI's products are provided subject to TI's Terms of Sale (www.ti.com/legal/termsofsale.html) or other applicable terms available either on ti.com or provided in conjunction with such TI products. TI's provision of these resources does not expand or otherwise alter TI's applicable warranties or warranty disclaimers for TI products.

Mailing Address: Texas Instruments, Post Office Box 655303, Dallas, Texas 75265
Copyright © 2019, Texas Instruments Incorporated

Looking for pricing, stock, or lifecycle information?

Click below to explore more details on WIN SOURCE:

 [View LM339DG4](#) on WIN SOURCE

 [Texas Instruments](#) Information

Optimize Your Supply Chain with WIN SOURCE Solutions

-  Global Sourcing Solution
-  Obsolete Management
-  Cost Control Management
-  Shortage Management
-  Alternative Solution
-  Excess Inventory Management