



**THE DATASHEET OF
LH5164AN-10L**



LH5164A/AH

CMOS 64K (8K × 8) Static RAM

FEATURES

- 8,192 × 8 bit organization
- Access times: 80/100 ns (MAX.)
- Low-power consumption:
 - Operating:
 - 303 mW (MAX.) LH5164A/D/N @ 80 ns
 - 248 mW (MAX.) LH5164A/D/N/T @ 100 ns
 - 275 mW (MAX.) LH5164AH/HD/HN/HT @ 100 ns
 - Standby:
 - LH5164A/D/N/T: 5.5 μW (MAX.)
 - LH5164AH/HD/HN/HT:
 - T_A ≤ 85°C: 16.5 μW (MAX.)
 - T_A ≤ 70°C: 5.5 μW (MAX.)

- Fully-static operation
- Three-state outputs
- Single +5 V power supply
- TTL compatible I/O
- Wide temperature range available
 - LH5164A: -10 to +70°C
 - LH5164AH: -40 to +85°C
- Packages:
 - 28-pin, 600-mil DIP
 - 28-pin, 300-mil SK-DIP
 - 28-pin, 450-mil SOP
 - 28-pin, 8 × 13 mm² TSOP (Type I)

DESCRIPTION

The LH5164A/AH are static RAMs organized as 8,192 × 8 bits. It is fabricated using silicon-gate CMOS process technology.

The LH5164AH is designed for wide temperature range from -40 to +85°C.

PIN CONNECTIONS

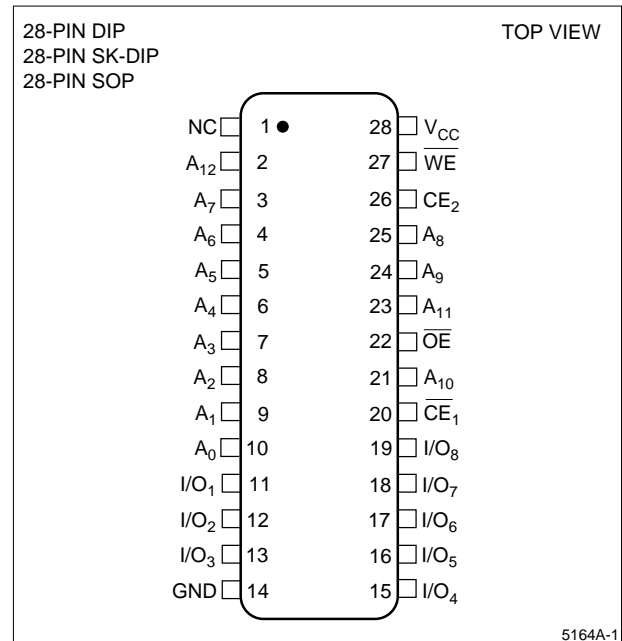


Figure 1. Pin Connections for DIP, SK-DIP, and SOP Packages

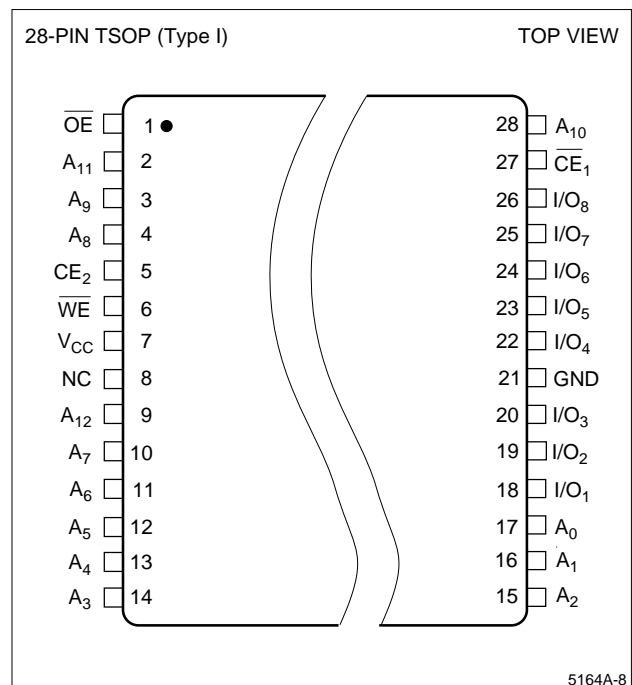


Figure 2. Pin Connections for TSOP Package

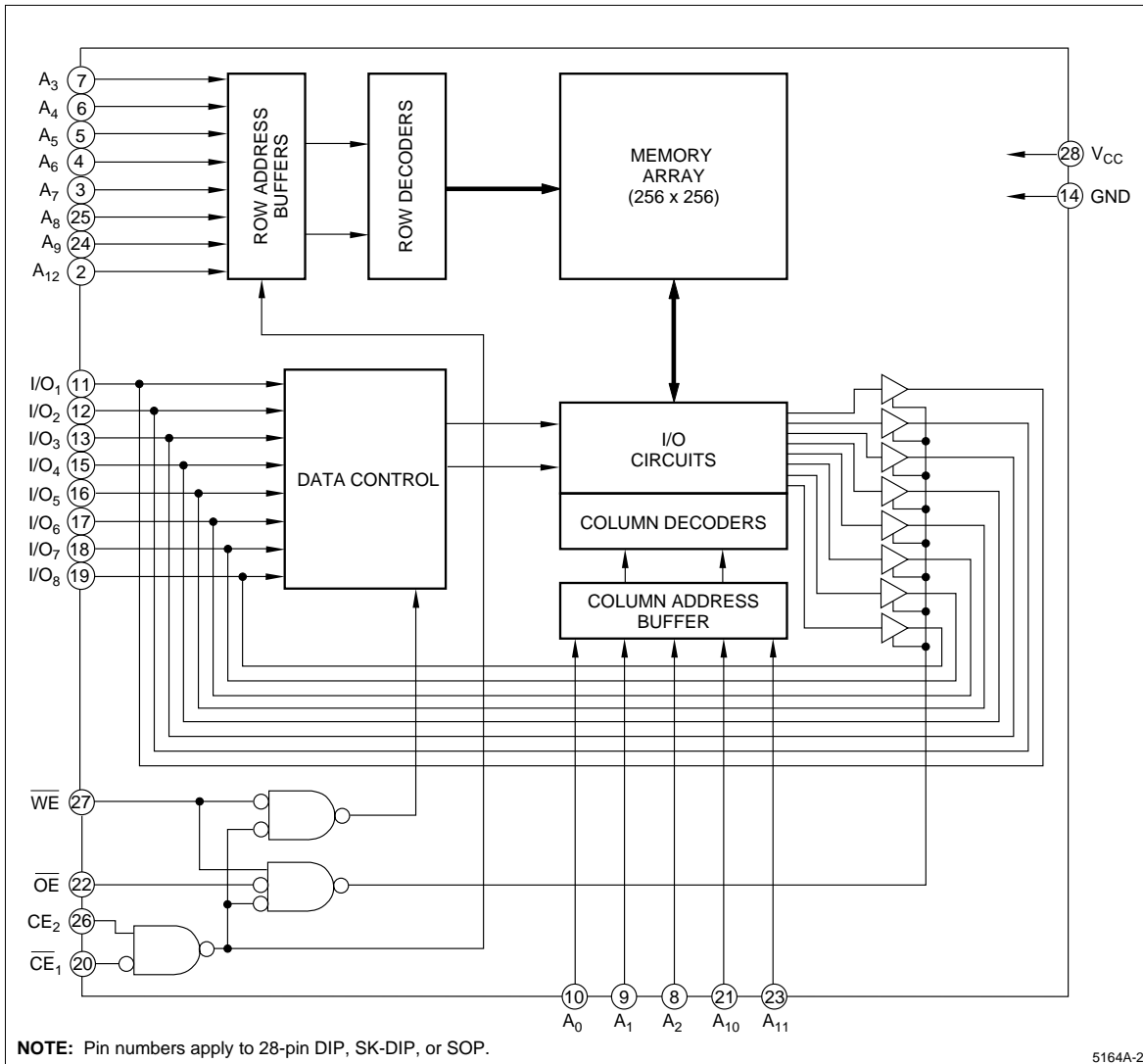


Figure 3. LH5164A/AH Block Diagram

PIN DESCRIPTION

SIGNAL	PIN NAME
A ₀ - A ₁₂	Address inputs
CE ₁ - CE ₂	Chip Enable input
WE	Write Enable input
OE	Output Enable input

SIGNAL	PIN NAME
I/O ₁ - I/O ₈	Data inputs and outputs
V _{CC}	Power supply
GND	Ground
NC	No connection

TRUTH TABLE

CE ₁	CE ₂	WE	OE	MODE	I/O ₁ - I/O ₈	SUPPLY CURRENT	NOTE
H	X	X	X	Deselect	High-Z	Standby (I _{SB})	1
X	L	X	X	Deselect	High-Z	Standby (I _{SB})	1
L	H	L	X	Write	D _{IN}	Operating (I _{CC})	1
L	H	H	L	Read	D _{OUT}	Operating (I _{CC})	
L	H	H	H	Output disable	High-Z	Operating (I _{CC})	

NOTE:
1. X = H or L

ABSOLUTE MAXIMUM RATINGS

PARAMETER	SYMBOL	80 ns	100 ns	UNIT	NOTE
		RATING	RATING		
Supply voltage	V _{CC}	-0.3 to +7.0	-0.3 to +7.0	V	1
Input voltage	V _{IN}	-0.3 to V _{CC} + 0.3	-0.3 to V _{CC} + 0.3	V	1, 2
Operating temperature	T _{opr}	-10 to +70	-10 to +70	°C	3
			-40 to +85	°C	4
Storage temperature	T _{stg}	-55 to +150	-55 to +150	°C	

NOTES:

- The maximum applicable voltage on any pin with respect to GND.
- V_{IN} (MIN.) = -3.0 V for pulse width ≤ 50 ns.
- LH5164A/AD/AN/AT
- LH5164AH/AHD/AHN/AHT

RECOMMENDED OPERATING CONDITIONS ¹

PARAMETER	SYMBOL	80 ns			100 ns			UNIT	NOTE
		MIN.	TYP.	MAX.	MIN.	TYP.	MAX.		
Supply voltage	V _{CC}	4.5	5.0	5.5	4.5	5.0	5.5	V	
Input voltage	V _{IH}	2.2		V _{CC} + 0.3	2.2		V _{CC} + 0.3	V	
	V _{IL}	-0.3		0.8	-0.3		0.8	V	2

NOTES:

- T_A = -10 to +70°C (LH5164A/AD/AN/AT), T_A = -40 to +85°C (LH5164AH/AHD/AHN/AHT).
- V_{IN} (MIN.) = -3.0 V for pulse width ≤ 50 ns.

DC CHARACTERISTICS ¹ (V_{CC} = 5 V ± 10%)

PARAMETER	SYMBOL	CONDITIONS	MIN.	MAX.	UNIT	NOTE	
Input leakage current	I _{LI}	V _{IN} = 0 to V _{CC}	-1.0	1.0	μA		
Output leakage current	I _{LO}	CE ₁ = V _{IH} or CE ₂ = V _{IL} or OE = V _{IH} or WE = V _{IL} V _{IO} = 0 to V _{CC}	-1.0	1.0	μA		
Operating current	I _{CC}	CE ₁ = V _{IL} , V _{IN} = V _{IL} or V _{IH} CE ₂ = V _{IH} , Outputs open		55	mA		
		CE ₁ = V _{IL} , V _{IN} = V _{IL} or V _{IH} CE ₂ = V _{IH} , Outputs open		45 50	mA	2 3	
		CE ₁ = V _{IL} , V _{IN} = 0.2 V or V _{CC} - 0.2 V CE ₂ = V _{IH} , Outputs open	t _{CYCLE} = 80 ns 100 ns 1.0 μs	10			
Standby current	I _{SB1}	CE ₁ = V _{IH} or CE ₂ = V _{IL}		5	mA		
		CE ₂ ≤ 0.2 V or CE ₁ ≥ V _{CC} - 0.2 V	T _A ≤ 70°C		1.0	μA	2, 3, 4
			T _A ≤ 85°C		3.0	μA	3, 4
Output voltage	V _{OL}	I _{OL} = 2.1 mA		0.4	V		
	V _{OH}	I _{OH} = -1 mA	2.4		V		

NOTES:

- T_A = -10 to 70°C (LH5164A/AD/AN/AT), T_A = -40 to +85°C (LH5164AH/AHD/AHN/AHT)
- LH5164A/AD/AN/AT
- LH5164AH/AHD/AHN/AHT
- CE₂ should be ≥ V_{CC} - 0.2 V or ≤ 0.2 V when CE₁ ≥ V_{CC} - 0.2 V

AC CHARACTERISTICS ¹

(1) READ CYCLE ($V_{CC} = 5\text{ V} \pm 10\%$)

PARAMETER	SYMBOL	80 ns		100 ns		UNIT	NOTE	
		MIN.	MAX.	MIN.	MAX.			
Read cycle time	t_{RC}	80		100		ns		
Address access time	t_{AA}		80		100	ns		
Chip enable access time	(CE ₁)	t_{ACE1}	80		100	ns		
	(CE ₂)	t_{ACE2}	80		100	ns		
Output enable access time	t_{OE}		40		40	ns		
Output hold time	t_{OH}	10		10		ns		
Chip enable to output in Low-Z	(CE ₁)	t_{LZ1}	10		10	ns	1	
	(CE ₂)	t_{LZ2}	10		10	ns	1	
Output enable to output in Low-Z	t_{OLZ}	5		5		ns	1	
Chip enable to output in High-Z	(CE ₁)	t_{HZ1}	0	30	0	30	ns	1
	(CE ₂)	t_{HZ2}	0	30	0	30	ns	1
Output disable to output in High-Z	t_{OHZ}	0	20	0	20	ns	1	

(2) WRITE CYCLE ($V_{CC} = 5\text{ V} \pm 10\%$)

PARAMETER	SYMBOL	80 ns		100 ns		UNIT	NOTE
		MIN.	MAX.	MIN.	MAX.		
Write cycle time	t_{WC}	80		100		ns	
Chip enable to end of write	t_{CW}	70		80		ns	
Address valid to end of write	t_{AW}	70		80		ns	
Address setup time	t_{AS}	0		0		ns	
Write pulse width	t_{WP}	60		60		ns	
Write recovery time	t_{WR}	0		0		ns	
Data valid to end of write	t_{DW}	40		40		ns	
Data hold time	t_{DH}	0		0		ns	
Output active from end of write	t_{OW}	10		10		ns	2
WE to output in High-Z	t_{WZ}	0	30	0	30	ns	2
OE to output in High-Z	t_{OHZ}	0	20	0	20	ns	2

NOTES:

- $T_A = -10$ to $+70^\circ\text{C}$ (LH5164A/AD/AN/AT), $T_A = -40$ to $+85^\circ\text{C}$ (LH5164AH/AHD/AHN/AHT)
- Active output to high-impedance and high-impedance to output active tests specified for a ± 200 mV transition from steady state levels into the test load.

AC TEST CONDITIONS

PARAMETER	MODE	NOTE
Input voltage amplitude	0.6 to 2.4 V	
Input rise/fall time	10 ns	
Timing reference level	1.5 V	
Output load conditions	1TTL + C_L (100 pF)	1

NOTE:

- Includes scope and jig capacitance.

CAPACITANCE ¹ (T_A = 25°C, f = 1 MHz)

PARAMETER	SYMBOL	CONDITIONS	MIN.	TYP.	MAX.	UNIT
Input capacitance	C _{IN}	V _{IN} = 0 V			7	pF
Input/output capacitance	C _{I/O}	V _{IO} = 0 V			10	pF

NOTE:

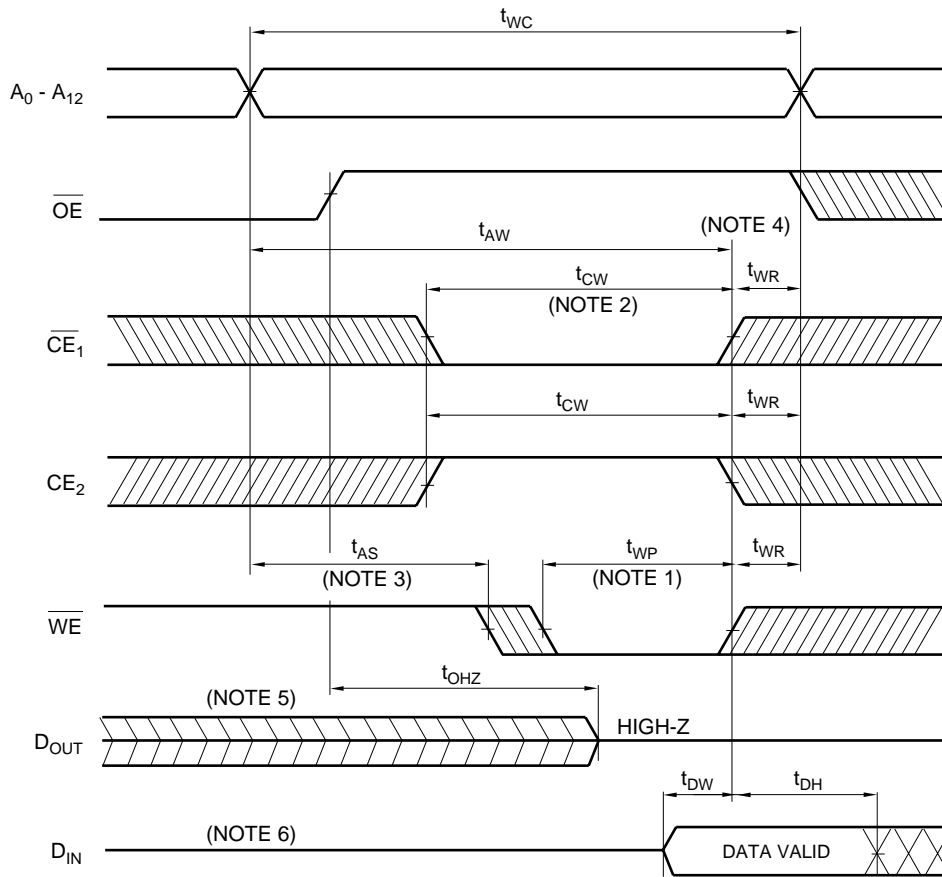
- This parameter is sampled and not production tested.

DATA RETENTION CHARACTERISTICS ¹

PARAMETER	SYMBOL	CONDITIONS	MIN.	MAX.	UNIT	NOTE
Data retention voltage	V _{CCDR}	CE ₂ ≤ 0.2 V or CE ₁ ≥ V _{CCDR} - 0.2 V	2.0	5.5	V	2
Data retention current	I _{CCDR}	V _{CCDR} = 3 V, CE ₂ ≤ 0.2 V or CE ₁ ≥ V _{CCDR} - 0.2 V	T _A = 25°C	0.2	μA	2, 3
			T _A = 40°C	0.4	μA	2, 3
				0.6	μA	2, 3
		V _{CCDR} = 3 V, CE ₂ ≤ 0.2 V or CE ₁ ≥ V _{CCDR} - 0.2 V	T _A = 25°C	0.2	μA	2, 4
			T _A = 70°C	0.6	μA	2, 4
				1.5	μA	2, 4
Chip disable to data retention	t _{CDR}		0		ns	
Recovery time	t _R		t _{RC}		ns	5

NOTES:

- T_A = -10 to +70°C (LH5164A/AD/AN/AT), T_A = -40 to +85°C (LH5164AH/AHD/AHN/AHT)
- CE₂ should be ≥ V_{CCDR} - 0.2 V or ≤ 0.2 V when CE₁ ≥ V_{CCDR} - 0.2 V
- LH5164A/AD/AN/AT
- LH5164AH/AHD/AHN/AHT
- t_{RC} = Read cycle time



NOTES:

1. The writing occurs during an overlapping period of $\overline{CE}_1 = \text{'LOW,'}$ $CE_2 = \text{'HIGH,'}$ and $\overline{WE} = \text{'LOW'}$ (t_{WP}).
2. t_{CW} is defined as the time from the last occurring transition, either \overline{CE}_1 LOW transition or CE_2 HIGH transition, to the time when the writing is finished.
3. t_{AS} is defined as the time from address change to writing start.
4. t_{WR} is defined as the time from writing finish to address change.
5. If \overline{CE}_1 LOW transition or CE_2 HIGH transition occurs at the same time or after \overline{WE} LOW transition, the outputs will remain high-impedance.
6. While I/O pins are in the output state, input signals with the opposite logic level must not be applied.

5164A-4

Figure 6. Write Cycle 1

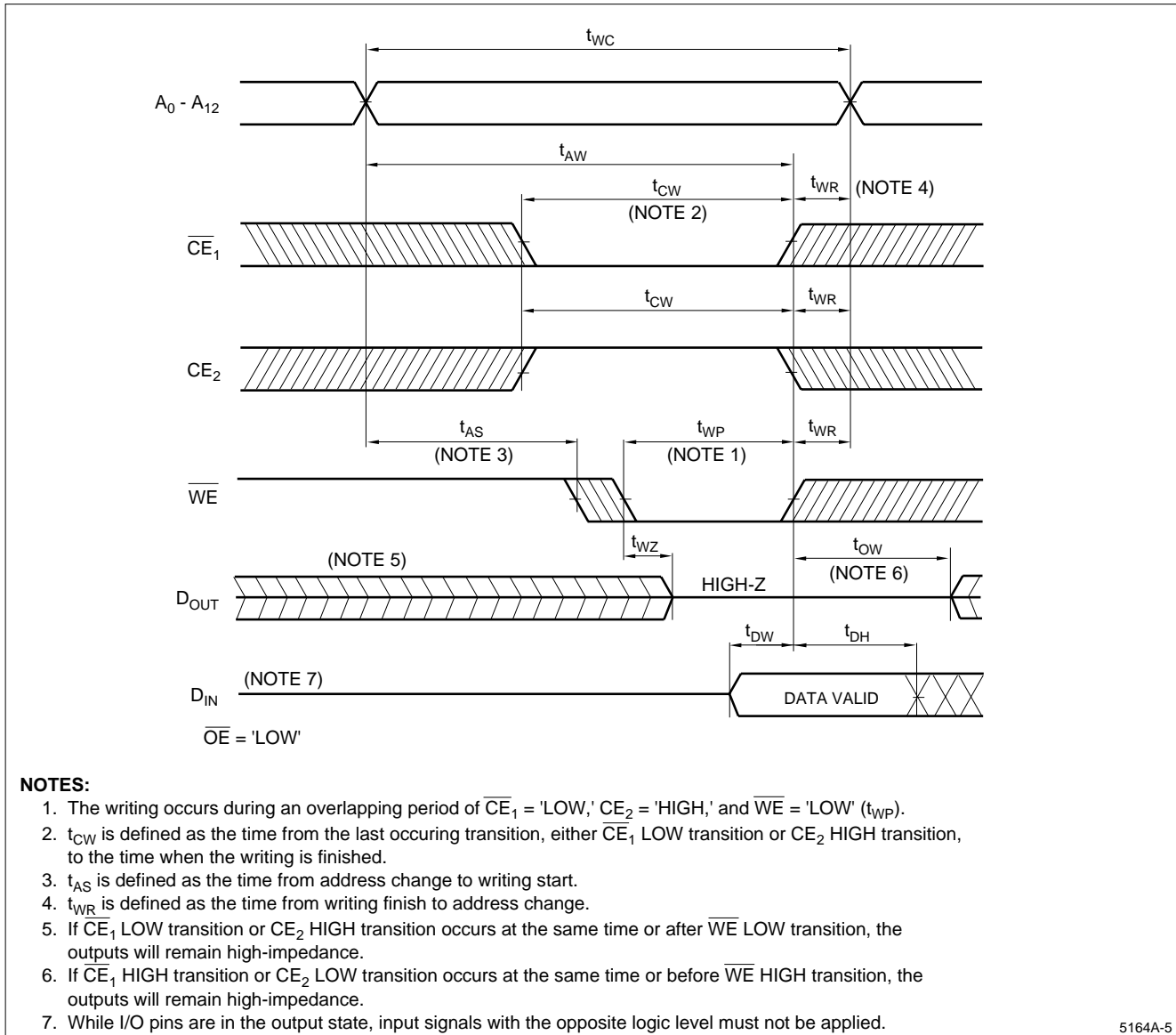
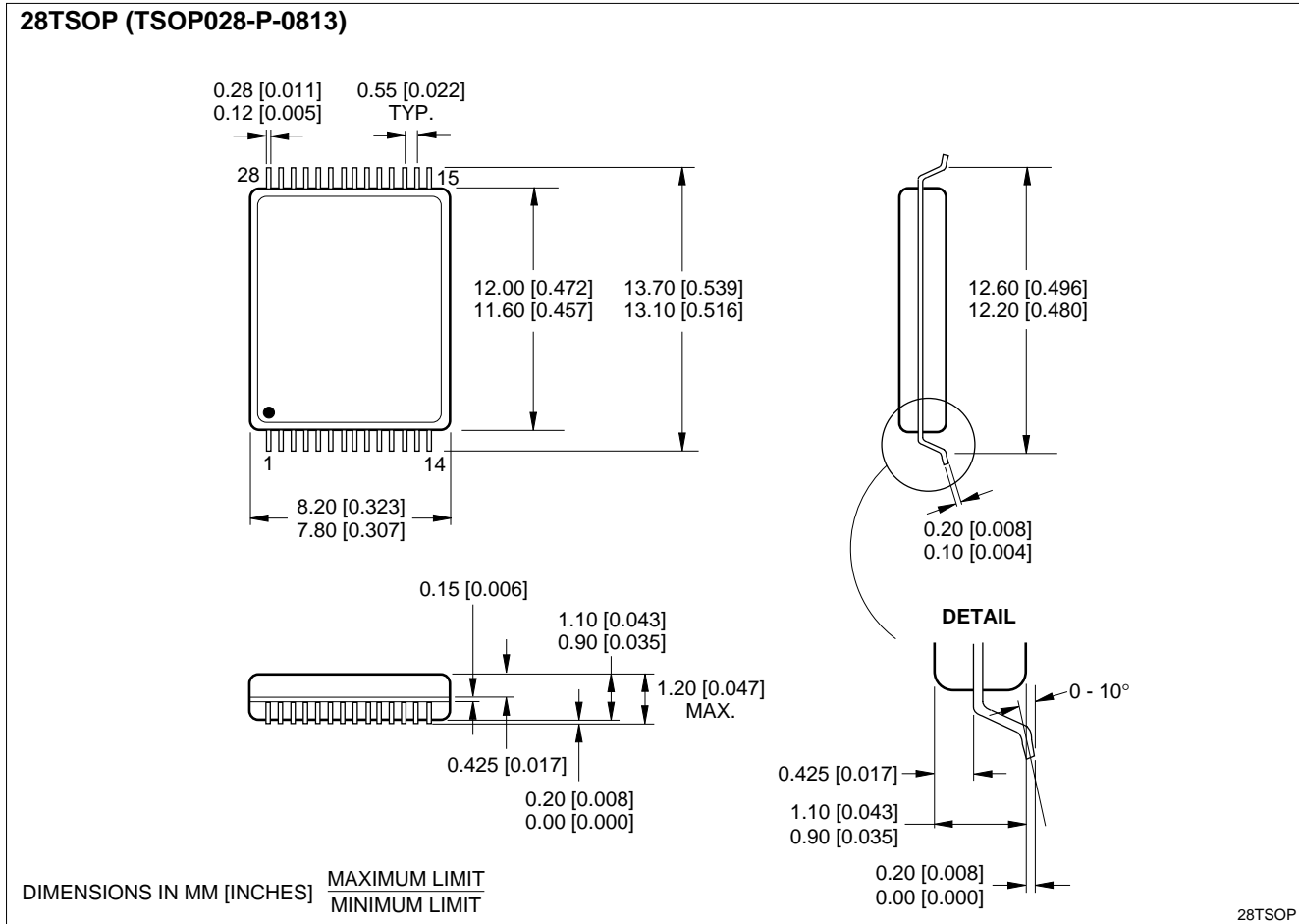


Figure 7. Write Cycle 2

5164A-5



28-pin, 8 × 13 mm² TSOP (Type I)

ORDERING INFORMATION

LH5164A	X	X	- ##	L
Device Type	Operating Temperature	Package	Speed	Power
				Low-power standby
			{ 10 100	Access Time (ns)
			{ 80 80	
				{ Blank 28 pin, 600-mil DIP (DIP028-P-0600)
				{ D 28-pin, 300-mil SK-DIP (SK-DIP028-P-0300)
				{ N 28-pin, 450-mil SOP (SOP028-P-0450)
				{ T 28-pin, 8 x 13 mm ² TSOP (Type I) (TSOP028-P-0813)
				{ Blank -10 to 70°C
				{ H -40 to +85°C
CMOS 64K (8K x 8) Static RAM				
Example: LH5164AD-10L (CMOS 64K (8K x 8) Static RAM, 100 ns, Low-power standby, 28-pin, 300-mil SK-DIP)				

5164A-7

SPECIFICATIONS ARE SUBJECT TO CHANGE WITHOUT NOTICE.

Suggested applications (if any) are for standard use; See Important Restrictions for limitations on special applications. See Limited Warranty for SHARP's product warranty. The Limited Warranty is in lieu, and exclusive of, all other warranties, express or implied. ALL EXPRESS AND IMPLIED WARRANTIES, INCLUDING THE WARRANTIES OF MERCHANTABILITY, FITNESS FOR USE AND FITNESS FOR A PARTICULAR PURPOSE, ARE SPECIFICALLY EXCLUDED. In no event will SHARP be liable, or in any way responsible, for any incidental or consequential economic or property damage.

SHARP®

NORTH AMERICA

SHARP Microelectronics
of the Americas
5700 NW Pacific Rim Blvd.
Camas, WA 98607, U.S.A.
Phone: (360) 834-2500
Fax: (360) 834-8903
<http://www.sharpsma.com>

EUROPE

SHARP Microelectronics Europe
Sonninstraße 3
20097 Hamburg, Germany
Phone: (49) 40 2376-2286
Fax: (49) 40 2376-2232
<http://www.sharpsme.com>

ASIA

SHARP Corporation
Integrated Circuits Group
2613-1 Ichinomoto-Cho
Tenri-City, Nara, 632, Japan
Phone: +81-743-65-1321
Fax: +81-743-65-1532
<http://www.sharp.co.jp>

Looking for pricing, stock, or lifecycle information?

Click below to explore more details on WIN SOURCE:

-  [View LH5164AN-10L on WIN SOURCE](#)
-  [Sharp Microelectronics Information](#)

Optimize Your Supply Chain with WIN SOURCE Solutions

-  Global Sourcing Solution
-  Obsolete Management
-  Cost Control Management
-  Shortage Management
-  Alternative Solution
-  Excess Inventory Management