



Acceleration Sensors

MMA8450Q

Low-power, 12-bit, 3-axis accelerometer

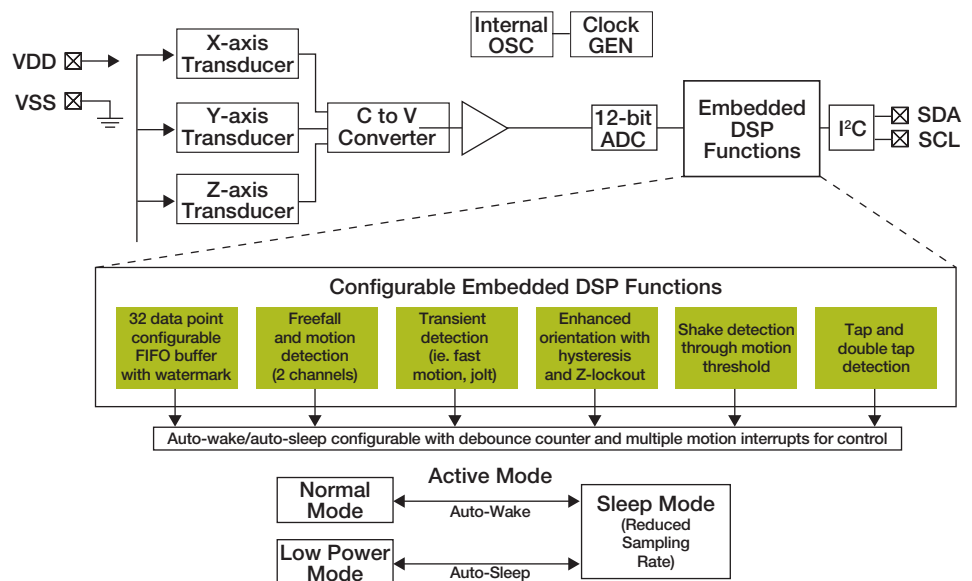


Simplifying complexity

The Freescale MMA8450Q is a 12-bit, 3-axis, low g, I²C, digital capacitive acceleration sensor with power as low as 27 uA in active mode, contained in a small, low-profile 3 x 3 x 1 mm QFN package. The MMA8450Q next-generation motion sensing device provides 12-bit data with first in, first out (FIFO) to accomplish complex gesture recognition and position detection required for next-generation mobile applications that go beyond basic algorithms.

The MMA8450Q accelerometer provides increased embedded intelligence such as orientation, tap, double tap, jolt, freefall and shake detection. Utilizing the embedded functions in the MMA8450Q, customers can develop more robust applications such as position detection, 3-D gesture detection, pedometry and many other next-generation motion detection functions. The MMA8450Q has two programmable interrupt pins, making it possible to monitor two functions independently. There are eight interrupt sources that can be configured to use these two independent interrupt pins. To operate with

MMA8450Q Block Diagram

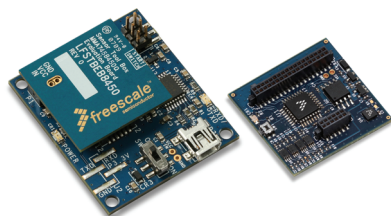


extremely low power, the MMA8450Q has six user configurable sample rates that can be set over a wide range of 1.5 to 400 samples per second where operating current is proportional

to the sample rate. The power scheme contains normal mode and low-power mode, allowing the customer to achieve optimal power consumption targets.

Typical Applications

- Mobile phones/PMP/PDA/digital cameras
 - Orientation detection (portrait/landscape)
 - Image stability
 - Tilt control enabled with higher resolution
 - Gesture dialing enhanced with high pass filter
 - Tap to control
 - Auto wake/sleep for low power consumption
- Smartbooks/ereaders/netbooks/laptops
 - Anti-theft
 - Freefall detection for hard disk drives
 - Orientation detection
 - Tap detection
- Public transportation ticketing systems
- Activity monitoring in medical applications
- Security
 - Shock detection
 - Tilt
- Fleet monitoring, tracking
 - Dead reckoning
 - System auto wake-up on movement detection
 - Shock recording
 - Anti-theft
- Power tools and small appliances
 - Tilt
 - Safety shutoff



RD3924MMA8450Q

LFSTBEB8450

Freescale Accelerometer Product Feature Comparison

Feature	MMA8450Q	MMA7455L	MMA7660FC
Digital Capability			
Digital resolution	12-bit	10-bit	6-bit
Digital output	I ² C	I ² C, SPI	I ² C
Current consumption	<ul style="list-style-type: none"> • Shutdown: < 1 uA • Standby: 4 uA • Normal mode: 42–250 uA • Low-power mode: 27–120 uA 	<ul style="list-style-type: none"> • Shutdown: 2 uA • Standby: 10 uA • Normal mode: 400 uA 	<ul style="list-style-type: none"> • Shutdown: 2 uA • Standby: 10 uA • Normal mode: 50–300 uA
Programmable interrupt pins	2	2	1
Package			
Package type	3 x 3 x 1 mm QFN	3 x 5 x 1 mm LGA	3 x 3 x 0.9 mm DFN
g-Cell or Sensing Cell			
Dynamic range	2g/4g/8g	2g/4g/8g	1.5g
Axis	3-axis	3-axis	3-axis
Drop shock	10,000g	10,000g	10,000g
Embedded Functions/Features			
Selectable output data rate	With reduced current specifications	No reduced current specifications	With reduced current specifications
Freefall	2 channels programmable	2 channels programmable	N/A
Motion detection	2 channels programmable	1 channel programmable	1 channel, fixed threshold
Tap detection	1 channel	2 channels	1 channel
Transient detection	1 channel	N/A	N/A
Orientation (portrait/landscape) detection	<ul style="list-style-type: none"> • Includes hysteresis compensation • Programmable trip points • Z-lockout 	N/A	No hysteresis
FIFO	<ul style="list-style-type: none"> • 12-bit data • 32 samples for each axis 	N/A	N/A
Auto-wake/sleep	Configurable with up to 5 interrupts. Sleep counter configurable for up to 325 seconds	N/A	Configurable with up to 4 interrupts
Self test	Yes	Yes	I ² C Test

Development Tools

Part Number	Description
LFSTBEB8450	This LFSTBEB8450 accelerometer development board provides an evaluation platform for the MMA8450Q accelerometer and includes the QE8 MCU for data acquisition. This board can work with the LFSTBUSB communication board that is sold separately.
RD3924MMA8450Q	This Sensor Toolbox kit comes with the accelerometer LFSTBUSB development and the LFSTBUSB boards

Freescale is a leading provider of pressure, inertial and touch sensors and has offered MEMS-based sensors for over 30 years. The sensor ICs complement Freescale's broad portfolio of ZigBee® technology, microcontrollers, microprocessors, digital signal processors, analog ICs and development tools to offer system solutions to customers.

Documentation



Freescale Document Number	Description
MMA8450Q	Product Specifications Data Sheet
AN3915	Embedded Orientation Detection Using the MMA8450Q
AN3916	Offset Calibration of the MMA8450Q
AN3917	Motion and Freefall Detection Using the MMA8450Q
AN3918	High Pass Filtered Data and Transient Detection Using the MMA8450Q
AN3919	MMA8450Q Single/Double and Directional Tap Detection
AN3920	Using the 32 Sample First In, First Out (FIFO) in the MMA8450Q
AN3921	Low-Power Modes and Auto-Wake/Sleep Using the MMA8450Q
AN3922	Data Manipulation and Basic Settings of the MMA8450Q
AN3923	MMA8450Q Design Checklist and Board Mounting Guidelines

Learn More:

For current information about Freescale products and documentation, please visit www.freescale.com/xyz.

Looking for pricing, stock, or lifecycle information?

Click below to explore more details on WIN SOURCE:

-  [View LFSTBEB8450 on WIN SOURCE](#)
-  [Freescale Semiconductor - NXP Information](#)

Optimize Your Supply Chain with WIN SOURCE Solutions

-  Global Sourcing Solution
-  Obsolete Management
-  Cost Control Management
-  Shortage Management
-  Alternative Solution
-  Excess Inventory Management