

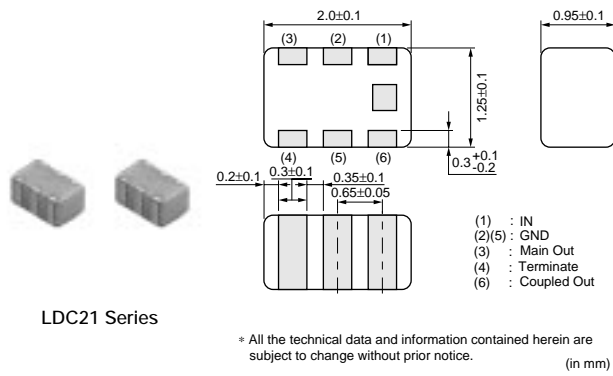
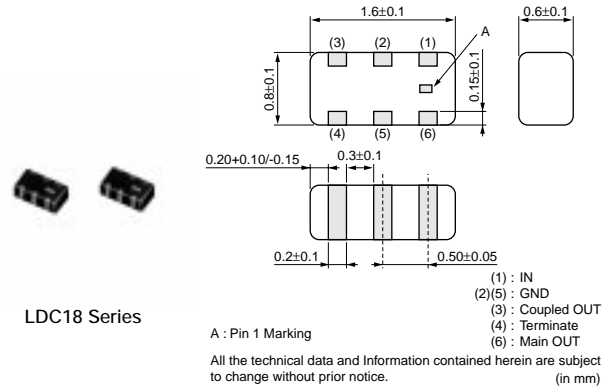
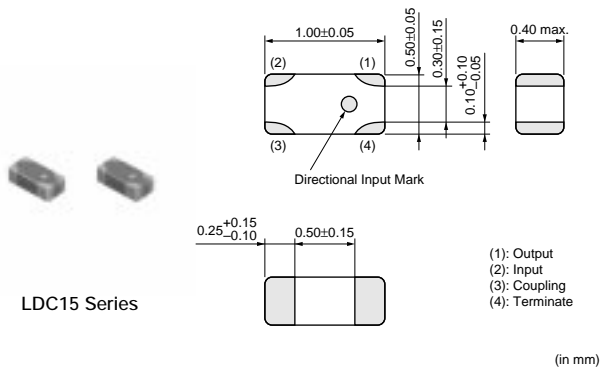


**THE DATASHEET OF
LDC181G7420B-327**



Chip Multilayer Hybrid Couplers

Directional Coupler



| Part Number | Frequency Range (MHz) | Coupling (dB) | Insertion Loss (dB) | Isolation (min.) (dB) | VSWR (max.) | Characteristic Impedance (Nom.) (ohm) | Power Capacity (W) | Application |
|-------------------------|-----------------------|----------------|------------------------|-----------------------|-------------|---------------------------------------|------------------------|-------------|
| LDC15836M20Q-360 | 836.5 ±12.5MHz | 19.8 ±1.0dB | 0.25 max. (at 25°C) | 33.0 | 1.4 | 50 | 3 max. (50ohm Load) | UMTS(Band5) |
| LDC151G8820Q-359 | 1880 ±30MHz | 20.5 ±1.0dB | 0.22 max. (at 25°C) | 34.0 | 1.4 | 50 | 3 max. (50ohm Load) | UMTS(Band2) |
| LDC151G9520Q-359 | 1950 ±30MHz | 20.2 ±1.0dB | 0.22 max. (at 25°C) | 34.0 | 1.4 | 50 | 3 max. (50ohm Load) | UMTS(Band1) |
| LDC181G7420B-327 | 1747.5 ±37.5MHz | 20.0 ±1.0dB | 0.26 max. (at 25°C) | 26.0 | 1.4 | 50 | 3 max. (50ohm Load) | GSM |
| LDC21836M20B-027 | 836.5 ±12.5MHz | 20.6 ±1.0dB | 0.15 max. (at 25°C) | 28.0 | 1.4 | 50 | 3 max. (50ohm Load) | CDMA |
| LDC211G8820B-042 | 1880.0 ±30.0MHz | 20.0 ±1.0dB | 0.23 max. (at 25°C) | 26.0 | 1.4 | 50 | 3 max. (50ohm Load) | CDMA |
| LDC211G9517B-031 | 1950.0 ±30.0MHz | 17.3 ±1.0dB | 0.27 max. (at 25°C) | 21.0 | 1.4 | 50 | 3 max. (50ohm Load) | UMTS(Band1) |

Operating Temperature Range: -40°C to +85°C

△Note • This PDF catalog is downloaded from the website of Murata Manufacturing co., Ltd. Therefore, it's specifications are subject to change or our products in it may be discontinued without advance notice. Please check with our sales representatives or product engineers before ordering.

• This PDF catalog has only typical specifications because there is no space for detailed specifications. Therefore, please approve our product specifications or transact the approval sheet for product specifications before ordering.

Looking for pricing, stock, or lifecycle information?

Click below to explore more details on WIN SOURCE:

- [View LDC181G7420B-327 on WIN SOURCE](#)
- [Murata Electronics North America Information](#)

Optimize Your Supply Chain with WIN SOURCE Solutions

- ✓ Global Sourcing Solution
- ✓ Obsolete Management
- ✓ Cost Control Management
- ✓ Shortage Management
- ✓ Alternative Solution
- ✓ Excess Inventory Management