



# THE DATASHEET OF LCP1511DRL





# LCP1511D

Application Specific Discretes  
A.S.D.™

PROGRAMMABLE TRANSIENT VOLTAGE  
SUPPRESSOR FOR SLIC PROTECTION

## FEATURES

- DUAL PROGRAMMABLE TRANSIENT SUPPRESSOR.
- WIDE NEGATIVE FIRING VOLTAGE RANGE :  
 $V_{MGL} = -80V$  max.
- LOW DYNAMIC SWITCHING VOLTAGES :  
 $V_{FP}$  and  $V_{DGL}$ .
- LOW GATE TRIGGERING CURRENT :  
 $I_{GT} = 5mA$  max.
- PEAK PULSE CURRENT :  
 $I_{PP} = 30A$  for 10/1000 $\mu s$  surge.
- HOLDING CURRENT :  
 $I_H = 150mA$ .

## DESCRIPTION

This device has been especially designed to protect subscriber line card interfaces (SLIC) against transient overvoltages.

Positive overloads are clipped with 2 diodes. Negative surges are suppressed by 2 thyristors, their breakdown voltage being referenced to  $-V_{BAT}$  through the gate.

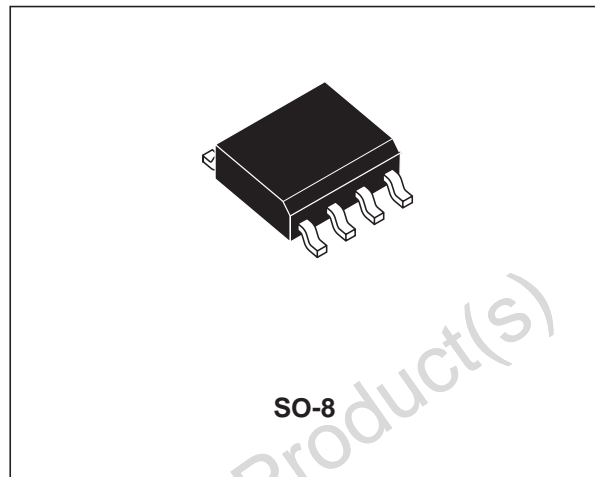
This component presents a very low gate triggering current ( $I_{GT}$ ) in order to reduce the current consumption on printed circuit board during the firing phase.

A particular attention has been given to the internal wire bonding. The "4-point" configuration ensures reliable protection, eliminating the overvoltage introduced by the parasitic inductances of the wiring ( $Ldi/dt$ ), especially for very fast transients.

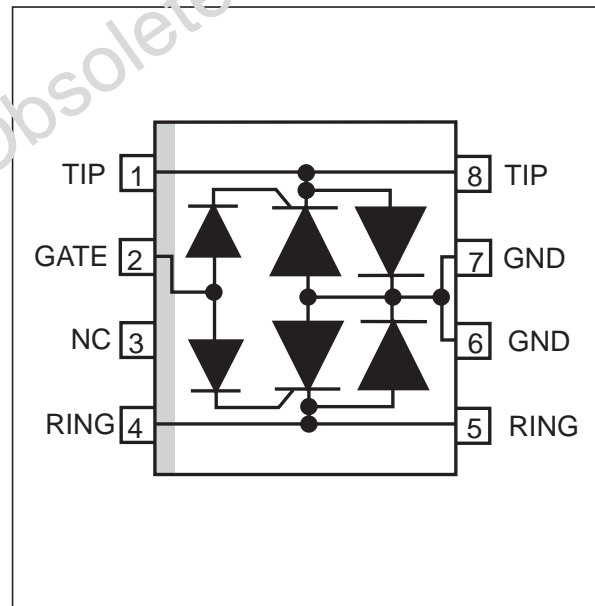
## COMPLIES WITH THE FOLLOWING STANDARDS

<b>CCITT K20 :</b>	10/700 $\mu s$	1kV
	5/310 $\mu s$	25A
<b>VDE 0133 :</b>	10/700 $\mu s$	2kV
	5/310 $\mu s$	38A (*)
<b>VDE 0878 :</b>	1.2/50 $\mu s$	1.5kV
	1/20 $\mu s$	40A
<b>I3124 :</b>	0.5/700 $\mu s$	1kV
	0.2/310 $\mu s$	25A
<b>FCC part 68 :</b>	2/10 $\mu s$	2.5kV
	2/10 $\mu s$	170A (*)
<b>BELLCORE</b>		
<b>TR-NWT-001089 :</b>	2/10 $\mu s$	2.5kV
	2/10 $\mu s$	170A (*)

(\*) with series resistors or PTC.



## SCHEMATIC DIAGRAM



TM: ASD is trademarks of STMicroelectronics.

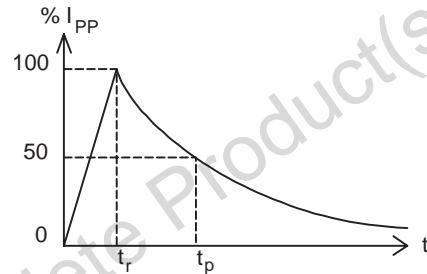
# LCP1511D

## ABSOLUTE MAXIMUM RATINGS (T<sub>amb</sub> = 25 °C)

Symbol	Parameter		Value	Unit
I <sub>PP</sub>	Peak pulse current (see note 1)	10/1000µs 5/310µs 2/10µs	30 38 170	A
I <sub>TSM</sub>	Non repetitive surge peak on-state current (F = 50Hz)	t <sub>p</sub> = 10ms t = 1s	8 3.5	A
I <sub>GSM</sub>	Maximum gate current (half sine wave t <sub>p</sub> = 10ms)		2	A
V <sub>MLG</sub> V <sub>MGL</sub>	Maximum voltage LINE / GROUND Maximum voltage GATE / LINE		-100 -80	V
T <sub>stg</sub> T <sub>j</sub>	Storage temperature range Maximum junction temperature		- 55 to + 150 150	°C
T <sub>L</sub>	Maximum lead temperature for soldering during 10s		260	°C

**Note 1** : Pulse waveform :

10/1000µs	t <sub>r</sub> =10µs	t <sub>p</sub> =1000µs
5/310µs	t <sub>r</sub> =5µs	t <sub>p</sub> =310µs
2/10µs	t <sub>r</sub> =2µs	t <sub>p</sub> =10µs

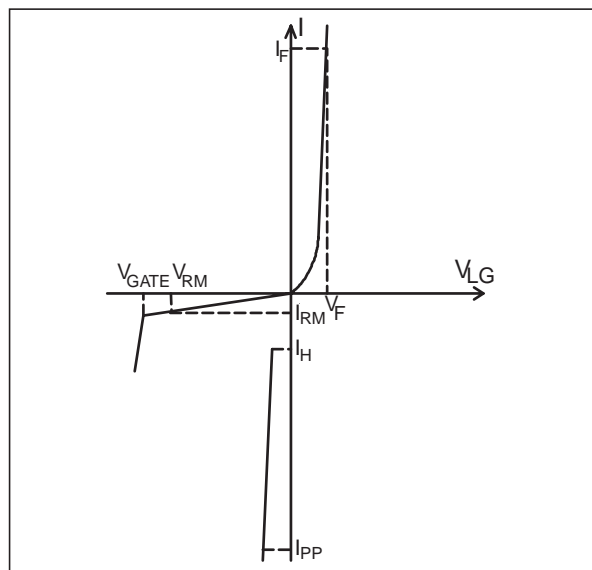


## THERMAL RESISTANCE

Symbol	Parameter	Value	Unit
R <sub>th(j-a)</sub>	Junction to ambient	170	°C/W

## ELECTRICAL CHARACTERISTICS (T<sub>amb</sub> = 25°C)

Symbol	Parameter
I <sub>GT</sub>	Gate triggering current
I <sub>H</sub>	Holding current
I <sub>RM</sub>	Reverse leakage current LINE/GND
I <sub>RG</sub>	Reverse leakage current GATE/LINE
V <sub>RM</sub>	Reverse voltage LINE/GND
V <sub>F</sub>	Forward drop voltage LINE/GND
V <sub>GT</sub>	Gate triggering voltage
V <sub>FP</sub>	Peak forward voltage LINE/GND
V <sub>DGL</sub>	Dynamic switching voltage GATE/LINE
V <sub>GATE</sub>	GATE/GND voltage
V <sub>LG</sub>	LINE/GND voltage
C	Off-state capacitance LINE/GND



**1 - PARAMETERS RELATED TO THE DIODE LINE/GND** ( $T_{amb} = 25\text{ }^{\circ}\text{C}$ )

Symbol	Test conditions	Maximum	Unit
$V_F$	$I_F=5\text{A}$ $t_p=500\mu\text{s}$	3	V
$V_{FP}$	$10/700\mu\text{s}$ $1.5\text{kV}$ $R_p=10\Omega$ $1.2/50\mu\text{s}$ $1.5\text{kV}$ $R_p=10\Omega$ (see note 1) $2/10\mu\text{s}$ $2.5\text{kV}$ $R_p=62\Omega$	5 7 12	V

**Note 1 :** See test circuit 2 for  $V_{FP}$ ;  $R_p$  is the protection resistor located on the line card.

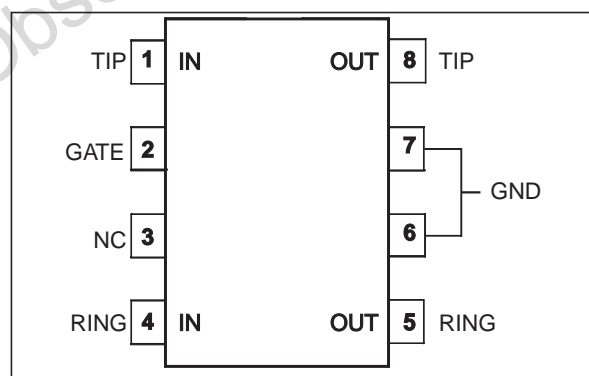
**2 - PARAMETERS RELATED TO THE PROTECTION THYRISTOR** ( $T_{amb} = 25\text{ }^{\circ}\text{C}$ )

Sym- bol	Test conditions	Min.	Max.	Unit
$I_{GT}$	$V_{GND/LINE} = -48\text{V}$	0.2	5	mA
$I_H$	$V_{GATE} = -48\text{V}$ (see note 2)	150		mA
$V_{GT}$	at $I_{GT}$		2.5	V
$I_{RG}$	$T_c=25\text{ }^{\circ}\text{C}$ $V_{RG} = -75\text{V}$ $T_c=70\text{ }^{\circ}\text{C}$ $V_{RG} = -75\text{V}$		5 50	$\mu\text{A}$
$V_{DGL}$	$V_{GATE} = -48\text{V}$ (see note 3) $10/700\mu\text{s}$ $1.5\text{kV}$ $R_p=10\Omega$ $I_{PP}=30\text{A}$ $1.2/50\mu\text{s}$ $1.5\text{kV}$ $R_p=10\Omega$ $I_{PP}=30\text{A}$ $2/10\mu\text{s}$ $2.5\text{kV}$ $R_p=62\Omega$ $I_{PP}=38\text{A}$		10 20 25	V

**Note 2 :** See the functional holding current ( $I_H$ ) test circuit 2.

**3 - PARAMETERS RELATED TO DIODE AND PROTECTION THYRISTOR** ( $T_{amb} = 25\text{ }^{\circ}\text{C}$ )

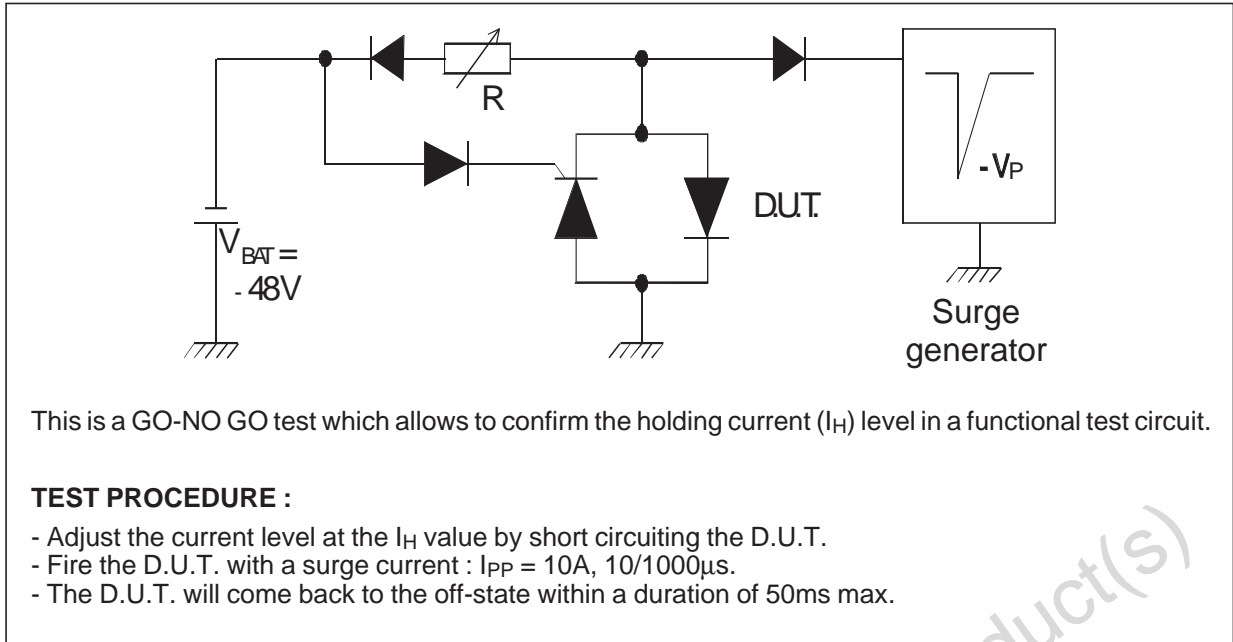
Sym- bol	Test conditions	Maximum	Unit
$I_{RM}$	$T_c=25\text{ }^{\circ}\text{C}$ $V_{GATE/LINE} = -1\text{V}$ $V_{RM} = -75\text{V}$ $T_c=70\text{ }^{\circ}\text{C}$ $V_{GATE/LINE} = -1\text{V}$ $V_{RM} = -75\text{V}$	5 50	$\mu\text{A}$

**APPLICATION NOTE**

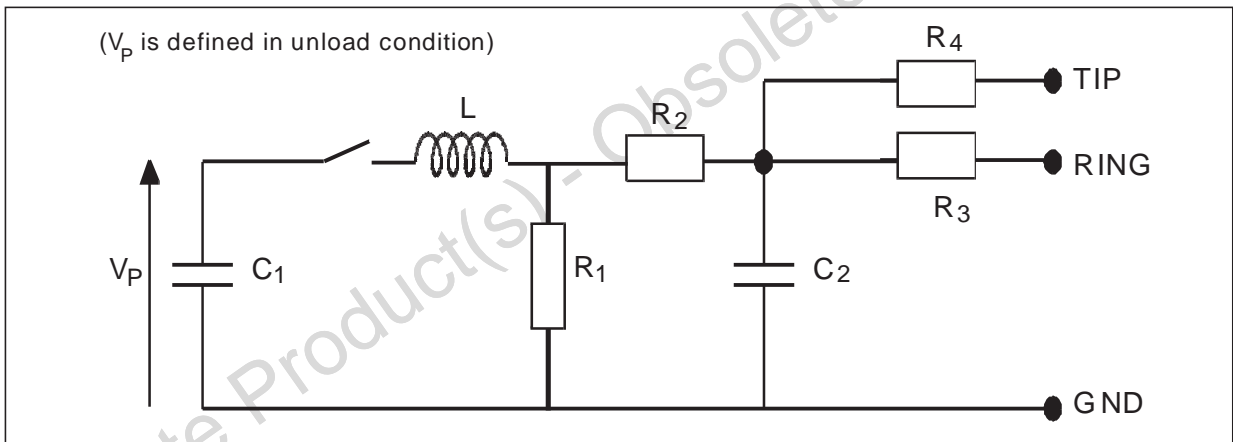
In order to take advantage of the "4 point" structure of the LCP, the TIP and RING lines go across the device. In such case, the device will eliminate the overvoltages generated by the parasitic inductances of the wiring ( $Ldi/dt$ ), especially for very fast transients.

# LCP1511D

## FUNCTIONAL HOLDING CURRENT ( $I_H$ ) TEST CIRCUIT 1 : GO-NO GO TEST

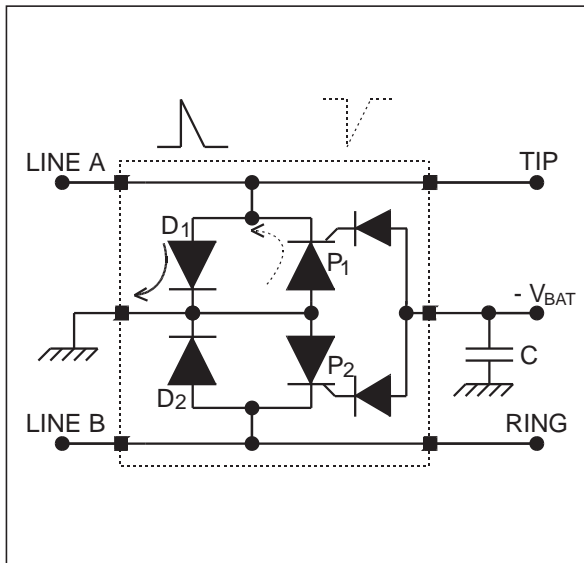


## TEST CIRCUIT 2 FOR $V_{FP}$ AND $V_{DGL}$ PARAMETERS



Pulse ( $\mu s$ )		$V_p$ (V)	$C_1$ ( $\mu F$ )	$C_2$ (nF)	$L$ ( $\mu H$ )	$R_1$ ( $\Omega$ )	$R_2$ ( $\Omega$ )	$R_3$ ( $\Omega$ )	$R_4$ ( $\Omega$ )	$I_{PP}$ (A)	$R_p$ ( $\Omega$ )
$t_r$	$t_p$										
10	700	1500	20	200	0	50	15	25	25	30	10
1.2	50	1500	1	33	0	76	13	25	25	30	10
2	10	2500	10	0	1.1	1.3	0	3	3	38	62

## FUNCTIONAL DESCRIPTION



## LINE A PROTECTION :

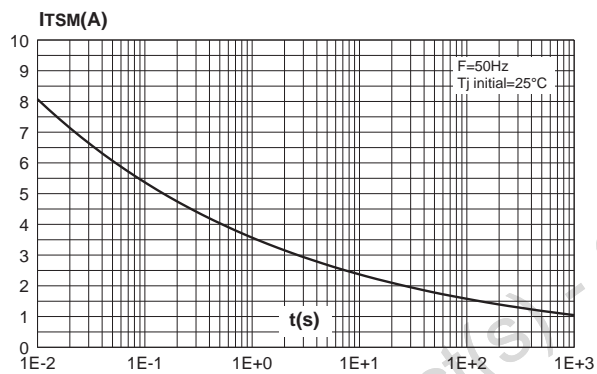
- For positive surges versus GND, the diode D1 will conduct.
- For negative surges versus GND, the protection device P1 will trigger at a voltage fixed by the -V<sub>BAT</sub> reference.

## LINE B PROTECTION :

- For surges on line B, the operating mode is the same, D2 or P2 is activated.

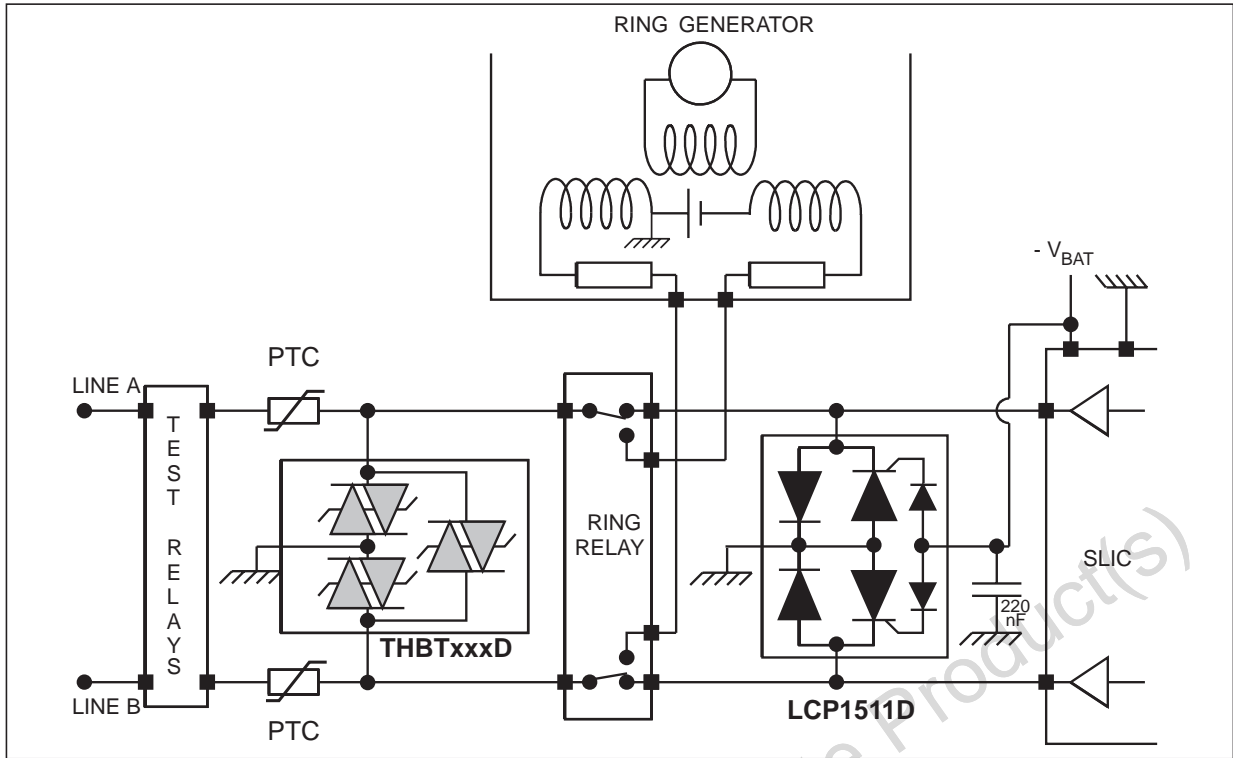
It is recommended to add a capacitor (C=220nF) close to the gate of the LCP, in order to speed up the triggering.

Surge peak current versus overload duration.

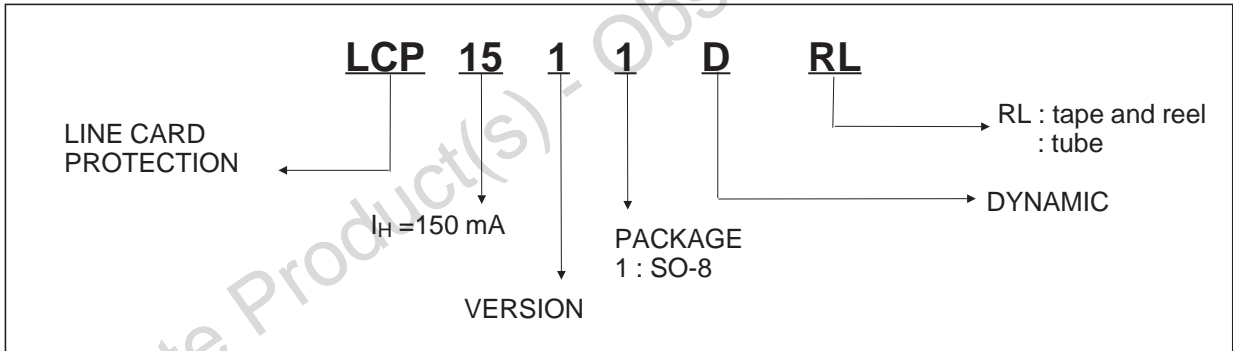


# LCP1511D

## APPLICATION CIRCUIT : typical SLIC protection concept

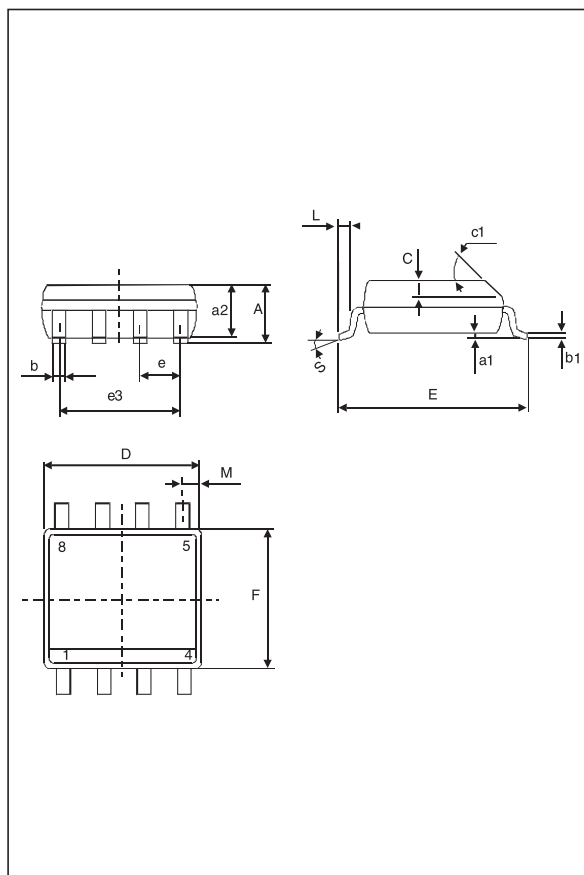


## ORDER CODE



## MARKING

Package	Type	Marking
SO-8	LCP1511D	CP151D

**PACKAGE MECHANICAL DATA**  
 SO-8 Plastic


REF.	DIMENSIONS					
	Millimetres			Inches		
	Min.	Typ.	Max.	Min.	Typ.	Max.
A			1.75			0.069
a1	0.1		0.25	0.004		0.010
a2			1.65			0.065
b	0.35		0.48	0.014		0.019
b1	0.19		0.25	0.007		0.010
C		0.50			0.020	
c1	45° (typ)					
D	4.8		5.0	0.189		0.197
E	5.8		6.2	0.228		0.244
e		1.27			0.050	
e3		3.81			0.150	
F	3.8		4.0	0.15		0.157
L	0.4		1.27	0.016		0.050
M			0.6			0.024
S	8° (max)					

**Weight** = 0.08 g.

**Packaging** : Product supplied in antistatic tubes or tape and reel .

Information furnished is believed to be accurate and reliable. However, STMicroelectronics assumes no responsibility for the consequences of use of such information nor for any infringement of patents or other rights of third parties which may result from its use. No license is granted by implication or otherwise under any patent or patent rights of STMicroelectronics. Specifications mentioned in this publication are subject to change without notice. This publication supersedes and replaces all information previously supplied. STMicroelectronics products are not authorized for use as critical components in life support devices or systems without express written approval of STMicroelectronics.

The ST logo is a registered trademark of STMicroelectronics.

All other names are the property of their respective owners.

© 2003 STMicroelectronics - All rights reserved.



STMicroelectronics GROUP OF COMPANIES

Australia - Belgium - Brazil - Canada - China - Czech Republic - Finland - France - Germany - Hong Kong - India - Israel - Italy - Japan - Malaysia - Malta - Morocco - Singapore - Spain - Sweden - Switzerland - United Kingdom - United States

[www.st.com](http://www.st.com)

## Looking for pricing, stock, or lifecycle information?

Click below to explore more details on WIN SOURCE:

-  [View LCP1511DRL on WIN SOURCE](#)
-  [STMicroelectronics Information](#)

## Optimize Your Supply Chain with WIN SOURCE Solutions

-  Global Sourcing Solution
-  Obsolete Management
-  Cost Control Management
-  Shortage Management
-  Alternative Solution
-  Excess Inventory Management