



ON Semiconductor®

<http://onsemi.com>

LB1837M

Monolithic Linear IC

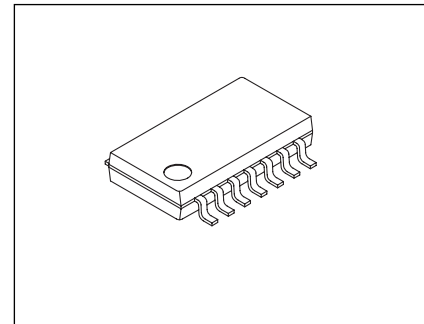
Low-voltage/Low-saturation Bidirectional Constant-Voltage Regulated Motor Driver

Overview

The LB1837M is a low-voltage, low-saturation, two-channel motor driver with a bidirectional braking function that provides constant-voltage regulated output for bidirectional operation. The design of the LB1837M is ideal for video equipment, cameras, and other portable equipment.

Function

- Wide operating voltage range (3.0 to 9.0 V).
- Low saturation voltage
 $V_{O(sat)} = 0.40\text{ V}$ at $I_O = 200\text{ mA}$.
- Consumes almost no current in standby mode (0.1 μA or less).
- Permits setting of bidirectional constant-voltage regulated value.
- Built-in reference voltage coupled to input.
- Brake function built in.
- Compact MFP14S package.



MFP14S(225mil)

Specifications

Absolute Maximum Ratings at $T_a = 25^\circ\text{C}$

Parameter	Symbol	Conditions	Ratings	Unit
Maximum supply voltage	VCC max		10.5	V
Output current	I _m max		250	mA
Applied input voltage	V _{IN}		-0.3 to +10	V
Allowable power dissipation	P _d max	With board (30 x 30 x 1.5 mm ³)	800	mW
Operating temperature	T _{opr}		-20 to +80	°C
Storage temperature	T _{stg}		-40 to +12	°C

Stresses exceeding Maximum Ratings may damage the device. Maximum Ratings are stress ratings only. Functional operation above the Recommended Operating Conditions is not implied. Extended exposure to stresses above the Recommended Operating Conditions may affect device reliability.

Allowable Operating Ratings at $T_a = 25^\circ\text{C}$

Parameter	Symbol	Conditions	Ratings	Unit
Supply voltage	VCC		3.0 to 9.0	V
Input [H] voltage	V _{IH}		3.0 to 9.0	V
Input [L] voltage	V _{IL}		-0.3 to +0.7	V
Control voltage	VC		0.2 to 6.0	V

LB1837M

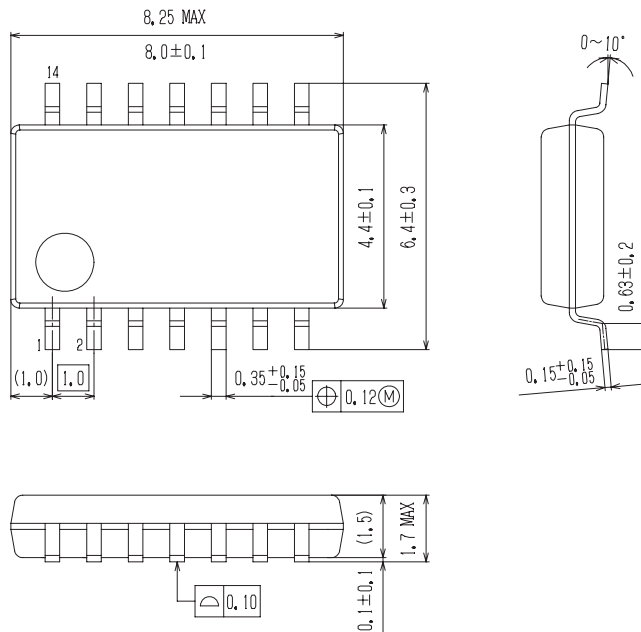
Electrical Characteristics at Ta = 25°C, VCC = 6V

Parameter	Symbol	Conditions	Ratings			Unit
			min	typ	max	
Supply current	ICC0	During standby		0.1	10	μA
	ICC1	(For one channel) During bidirectional operation during control, load open		2	3	mA
	ICC2	(For one channel) During bidirectional operation during saturation, load open		3	5	mA
	ICC3	During braking (for one channel)		6.5	9	mA
Output saturation voltage	Vsat1	IO = 100 mA (upper side + lower side)		0.3	0.4	V
	Vsat2	IO = 200 mA (upper side + lower side)		0.4	0.55	V
	Vsat3	IO = 200 mA (lower side)	0.07	0.10	0.15	V
Reference voltage	Vref	Ivref = 1 mA	1.85	2.0	2.15	V
Output voltage voltage characteristics	$\frac{\Delta VO}{\Delta VCC}$	VO = 5 V, VCC = 5.5 to 9 V, IO = 100 mA			20	mV
Output voltage current characteristics	$\frac{\Delta VO}{\Delta ICC}$	VO = 5 V, VCC = 6 V, IO = 10 to 100 mA			50	mV
Input current	IIN	VIN = 5 V		90	150	μA
Output voltage	VO	Between OUT and GND	2.5 x VC		2.7 x VC	V

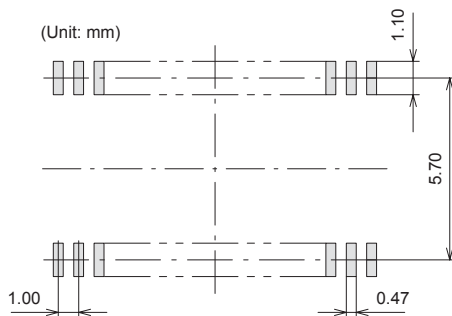
Package Dimensions

unit:mm

SOIC14 W / MFP14S (225 mil)
CASE 751CB
ISSUE A



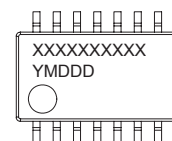
SOLDERING FOOTPRINT*



NOTE: The measurements are not to guarantee but for reference only.

*For additional information on our Pb-Free strategy and soldering details, please download the ON Semiconductor Soldering and Mounting Techniques Reference Manual, SOLDERRM/D.

GENERIC MARKING DIAGRAM*



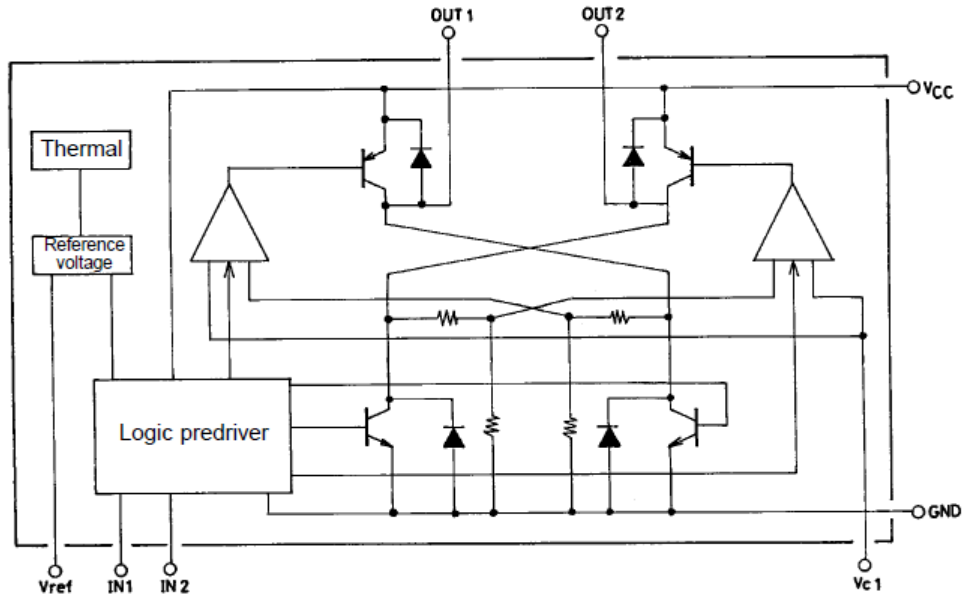
XXXXX = Specific Device Code
Y = Year
M = Month
DDD = Additional Traceability Data

*This information is generic. Please refer to device data sheet for actual part marking. Pb-Free indicator, "G" or microdot "μ", may or may not be present.

LB1837M

Equivalent Circuit Block Diagram

(For one channel)



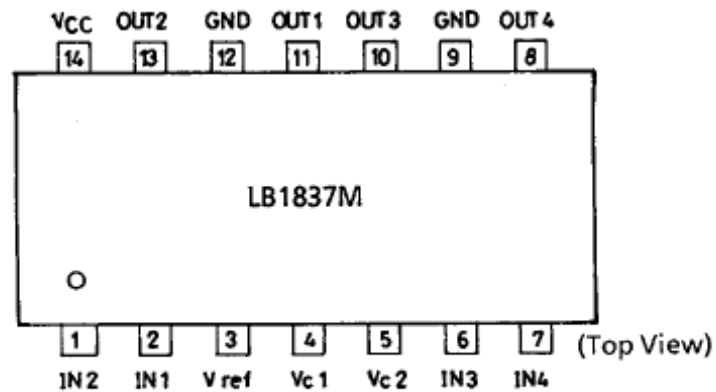
Truth Table

Input		Output		Mode
IN 1/3	IN 2/4	Out 1/3	Out 2/4	
L	L	OFF	OFF	Standby
H	L	H	L	Constant-voltage regulated forward operation
L	H	L	H	Constant-voltage regulated reverse operation
H	H	L	L	Brake

The constant-voltage regulated output V_O (= voltage between H side output and GND) is controlled by $2.5 \times V_C$.

The output is in the saturated state when the V_C input range is 0.2 to 6 V and $V_O \geq V_{CC}$.

Pin Assignment



Note: Both GND pins must be grounded.

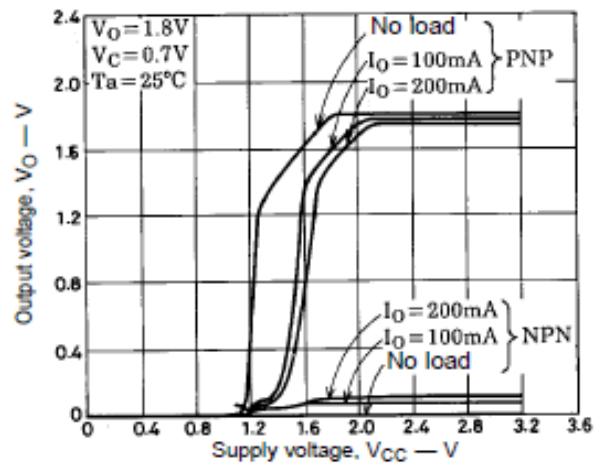
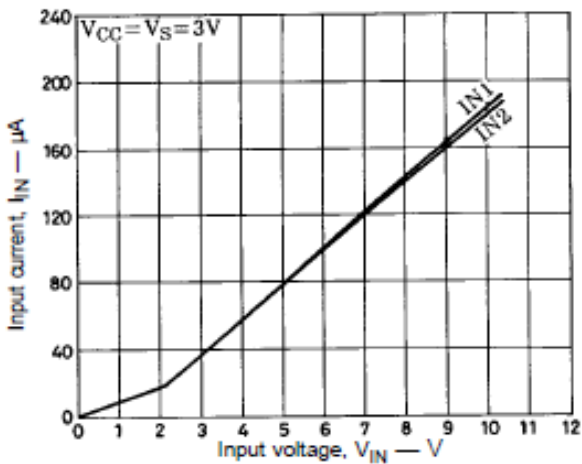
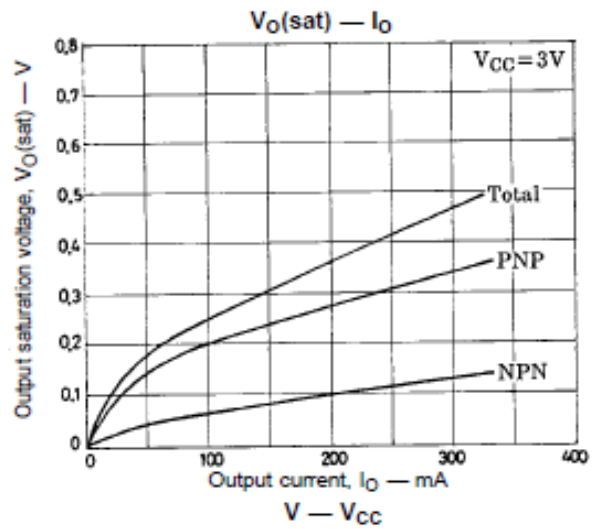
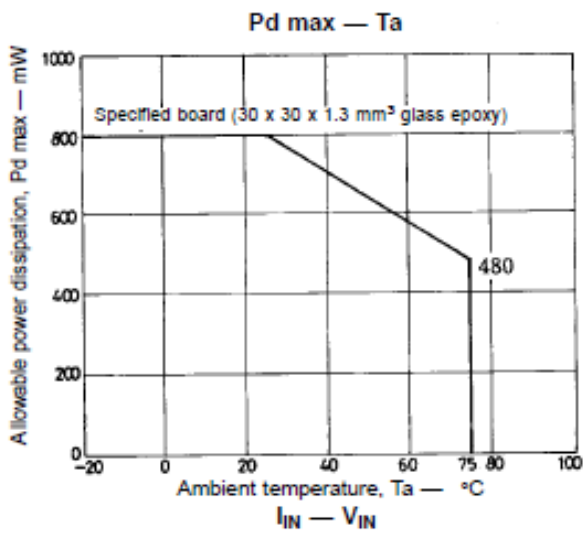
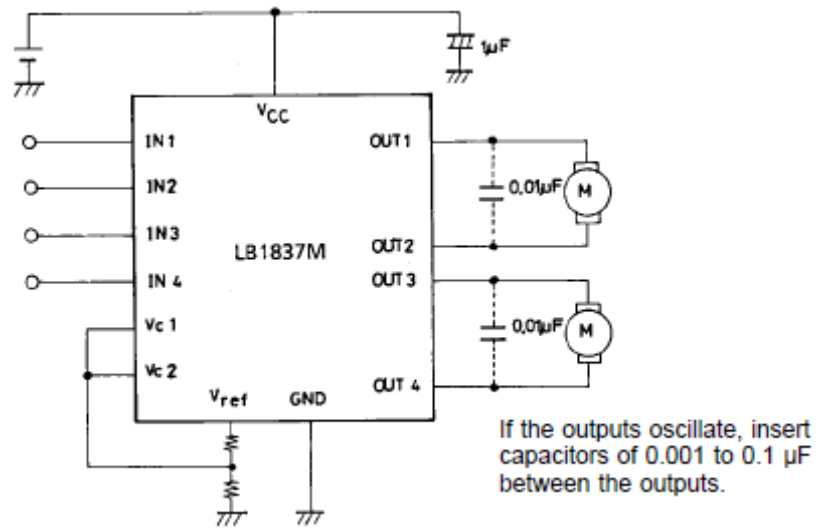
LB1837M

Pin Functions

Pin No.	Symbol	Equivalent Circuit Diagram	Pin Function
14	VCC		Power supply pin for output and controller.
9 12	GND		GND pins for output and controller. Both must be grounded.
1 2 6 7	IN2 IN1 IN3 IN4		<p>Input pins that determine the excitation of the outputs. IN1 and IN2 control outputs OUT1 and OUT2; IN3 and IN4 control outputs OUT3 and OUT4. When inputs IN1 through IN4 are all low or open, the device goes into standby mode and current consumption drops to 10 μA or less. L: -0.3 to +0.7 V H: 3.0 to 9.0 V There are no limitations on the magnitude relationships between the VCC and VIN supply voltages.</p>
8 10 11 13	OUT4 OUT3 OUT1 OUT2		<p>Output pins. Have built-in spark killer diodes. Braking provides short braking that turns on the lower transistor.</p>
3	Vref		Reference voltage (= 2.0 V).
4 5	VC1 VC2		<p>Input pins that determine the constant-voltage regulated output level. The constant-voltage regulated output VO (= voltage between H side output and GND) is controlled by $VO = 2.5 \times VC$. There are no limitations on the magnitude relationships between the VCC, VC1 and VC2 supply voltages.</p>

LB1837M



Sample Application Circuit



ON Semiconductor and the ON logo are registered trademarks of Semiconductor Components Industries, LLC (SCILLC). SCILLC owns the rights to a number of patents, trademarks, copyrights, trade secrets, and other intellectual property. A listing of SCILLC's product/patent coverage may be accessed at www.onsemi.com/site/pdf/Patent-Marking.pdf. SCILLC reserves the right to make changes without further notice to any products herein. SCILLC makes no warranty, representation or guarantee regarding the suitability of its products for any particular purpose, nor does SCILLC assume any liability arising out of the application or use of any product or circuit, and specifically disclaims any and all liability, including without limitation special, consequential or incidental damages. "Typical" parameters which may be provided in SCILLC data sheets and/or specifications can and do vary in different applications and actual performance may vary over time. All operating parameters, including "Typicals" must be validated for each customer application by customer's technical experts. SCILLC does not convey any license under its patent rights nor the rights of others. SCILLC products are not designed, intended, or authorized for use as components in systems intended for surgical implant into the body, or other applications intended to support or sustain life, or for any other application in which the failure of the SCILLC product could create a situation where personal injury or death may occur. Should Buyer purchase or use SCILLC products for any such unintended or unauthorized application, Buyer shall indemnify and hold SCILLC and its officers, employees, subsidiaries, affiliates, and distributors harmless against all claims, costs, damages, and expenses, and reasonable attorney fees arising out of, directly or indirectly, any claim of personal injury or death associated with such unintended or unauthorized use, even if such claim alleges that SCILLC was negligent regarding the design or manufacture of the part. SCILLC is an Equal Opportunity/Affirmative Action Employer. This literature is subject to all applicable copyright laws and is not for resale in any manner.

Looking for pricing, stock, or lifecycle information?

Click below to explore more details on WIN SOURCE:

-  [View LB1837M-TLM-E on WIN SOURCE](#)
-  [ON Semiconductor](#) Information

Optimize Your Supply Chain with WIN SOURCE Solutions

-  Global Sourcing Solution
-  Obsolete Management
-  Cost Control Management
-  Shortage Management
-  Alternative Solution
-  Excess Inventory Management