



# THE DATASHEET OF L4981BD





# L4981A L4981B

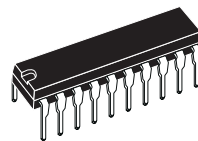
## POWER FACTOR CORRECTOR

- CONTROL BOOST PWM UP TO 0.99P.F.
- LIMIT LINE CURRENT DISTORTION TO < 5%
- UNIVERSAL INPUT MAINS
- FEED FORWARD LINE AND LOAD REGULATION
- AVERAGE CURRENT MODE PWM FOR MINIMUM NOISE SENSITIVITY
- HIGH CURRENT BIPOLAR AND DMOS TO-TEM POLE OUTPUT
- LOW START-UP CURRENT (0.3mA TYP.)
- UNDER VOLTAGE LOCKOUT WITH HYS-TERESIS AND PROGRAMMABLE TURN ON THRESHOLD
- OVERVOLTAGE, OVERCURRENT PROTEC-TION
- PRECISE 2% ON CHIP REFERENCE EX-TERNALLY AVAILABLE
- SOFT START

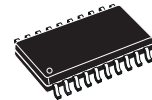
### DESCRIPTION

The L4981 I.C. provides the necessary features to achieve a very high power factor up to 0.99. Realized in BCD 60II technology this power factor corrector (PFC) pre-regulator contains all the con-

### MULTIPOWER BCD TECHNOLOGY



DIP20



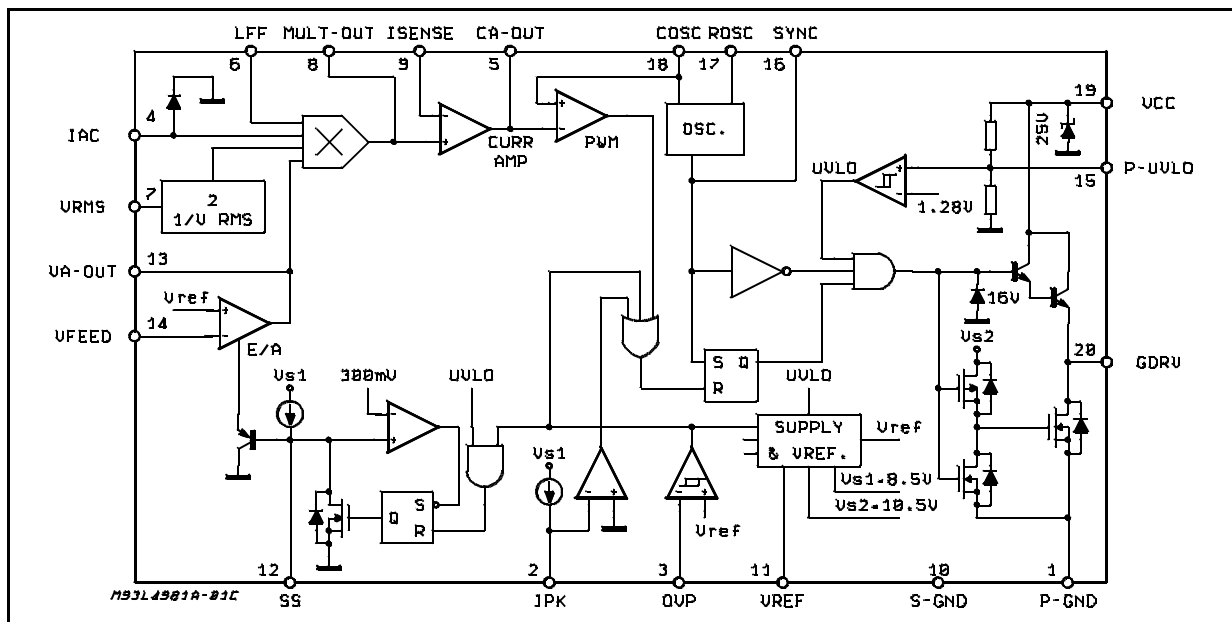
SO20

ORDERING NUMBERS: L4981X (DIP20)  
L4981XD (SO20)

trol functions for designing a high efficiency-mode power supply with sinusoidal line current consumption.

The L4981 can be easily used in systems with mains voltages between 85V to 265V without any line switch. This new PFC offers the possibility to work at fixed frequency (L4981A) or modulated frequency (L4981B) optimizing the size of the in-

### BLOCK DIAGRAM



## L4981A - L4981B

put filter; both the operating frequency modes working with an average current mode PWM controller, maintaining sinusoidal line current without slope compensation. Besides power MOSFET gate driver, precise voltage reference (externally available), error amplifier, undervoltage lockout, current sense and the

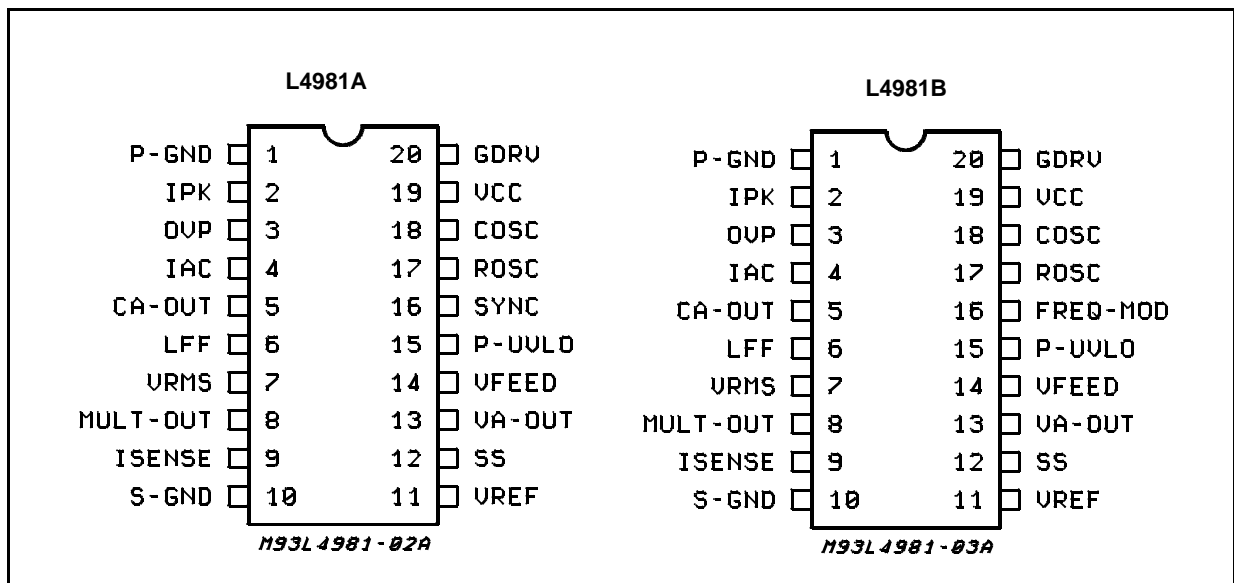
soft start are included. To limit the number of the external components, the device integrates protections as overvoltage and overcurrent. The overcurrent level can be programmed using a simple resistor for L4981A. For a better precision and for L4981B an external divider must be used.

### ABSOLUTE MAXIMUM RATINGS

| Symbol                | Pin    | Parameter   | Value                | Unit        |    |
|-----------------------|--------|---|----------------------|-------------|----|
| V <sub>CC</sub>       | 19     | Supply Voltage (I <sub>CC</sub> ≤ 50mA) (*)                                     | selflimit            | V           |    |
| I <sub>GDRV</sub>     | 20     | Gate driv. output peak current (t = 1μs)  | SINK                 | 2           | A  |
|                       |        |   | SOURCE               | 1.5         | A  |
| V <sub>GDRV</sub>     |        | Gate driv. output voltage t = 0.1μs   | -1                   | V           |    |
|                       |        | Voltages at pins 3, 14, 7, 6, 12, 15  | -0.3 to 9            | V           |    |
| V <sub>VA-OUT</sub>   | 13     | Error Amplifier Voltage   | -0.3 to 8.5          | V           |    |
| I <sub>AC</sub>       | 4      | AC Input Current  |                      | 5           | mA |
|                       |        |   | Voltages at pin 8, 9 | -0.5 to 7   | V  |
| V <sub>CA-OUT</sub>   | 5      | Current Amplifier Volt. (I <sub>source</sub> = -20mA; I <sub>sink</sub> = 20mA) | -0.3 to 8.5          | V           |    |
| V <sub>ROSC</sub>     | 17     | Voltage at pin 17   | -0.3 to 3            | V           |    |
|                       | 11, 18 | Voltage at pin 11, 18   | -0.3 to 7            | V           |    |
| I <sub>COSC</sub>     | 18     | Input Sink Current  | 15                   | mA          |    |
| I <sub>FREQ-MOD</sub> | 16     | Frequency Modulation Sink Current (L4981B)                                      | 5                    | mA          |    |
| V <sub>SYNC</sub>     | 16     | Sync. Voltage (L4981A)  | -0.3 to 7            | V           |    |
| V <sub>IPK</sub>      | 2      | Voltage at pin 2<br>Voltage at Pin 2 t = 1μs                                    |                      | -0.3 to 5.5 | V  |
|                       |        |   |                      | -2          | V  |
| P <sub>tot</sub>      |        | Power Dissipation at T <sub>amb</sub> = 70°C (DIP20)                            | 1                    | W           |    |
|                       |        | Power Dissipation at T <sub>amb</sub> = 70°C (SO20)                             | 0.6                  | W           |    |
| T <sub>op</sub>       |        | Operating Ambient Temperature   | -40 to 125           | °C          |    |
| T <sub>stg</sub>      |        | Storage Temperature   | -55 to 150           | °C          |    |

(\*) Maximum package power dissipation limits must be observed.

### PIN CONNECTIONS (Top views)



## THERMAL DATA

| Symbol                | Parameter                           | DIP 20 | SO 20 | Unit |
|-----------------------|-------------------------------------|--------|-------|------|
| R <sub>th j-amb</sub> | Thermal Resistance Junction-ambient | 80     | 120   | °C/W |

## PIN FUNCTIONS

| N. | Name               | Description   |
|----|--------------------|---|
| 1  | P-GND              | Power ground.   |
| 2  | IPK                | <b>L4981A</b> peak current limiting. A current limitation is obtained using a single resistor connected between Pin 2 and the sense resistor. To have a better precision another resistor between Pin 2 and a reference voltage (Pin 11) must be added.<br><b>L4981B</b> peak current limiting. A precise current limitation is obtained using two external resistor only. These resistors must be connected between the sense resistor, Pin 2 and the reference voltage. |
| 3  | OVP                | Overvoltage protection. At this input are compared an internal precise 5.1V (typ) voltage reference with a sample of the boost output voltage obtained via a resistive voltage divider in order to limit the maximum output peak voltage.   |
| 4  | IAC                | Input for the AC current. An input current proportional to the rectified mains voltage generates, via a multiplier, the current reference for the current amplifier.  |
| 5  | CA-OUT             | Current amplifier output. An external RC network determinates the loop gain.  |
| 6  | LFF                | Load feedforward; this voltage input pin allows to modify the multiplier output current proportionally to the load, in order to give a faster response versus load transient. The best control is obtained working between 1.5V and 5.3V. If this function is not used, connect this pin to the voltage reference (pin = 11).   |
| 7  | VRMS               | Input for proportional RMS line voltage. the VRMS input compesates the line voltage changes. Connecting a low pass filter between the rectified line and the pin 7, a DC voltage proportional to the input line RMS voltage is obtained. The best control is reached using input voltage between 1.5V and 5.5V. If this function is not used connect this pin to the voltage reference (pin = 11).  |
| 8  | MULT-OUT           | Multiplier output. This pin common to the multiplier output and the current amplifier N.I. input is an high impedance input like I <sub>SENSE</sub> . The MULT-OUT pin must be taken not below -0.5V.   |
| 9  | I <sub>SENSE</sub> | Current amplifier inverting input. Care must be taken to avoid this pin goes down -0.5V.  |
| 10 | S-GND              | Signal ground.  |
| 11 | V <sub>REF</sub>   | Output reference voltage (typ = 5.1V). Voltage refence at ± 2% of accuracy externally available, it's internally current limited and can deliver an output current up to 10mA.  |
| 12 | SS                 | A capacitor connected to ground defines the soft start time. An internal current generator delivering 100µA (typ) charges the external capacitor defining the soft start time constant. An internal MOS discharge, the external soft start capacitor both in overvoltage and UVLO conditions.   |
| 13 | VA-OUT             | Error amplifier output, an RC network fixes the voltage loop gain characteristics.  |
| 14 | VFEED              | Voltage error amplifier inverting input. This feedback input is connected via a voltage divider to the boost output voltage.  |
| 15 | P-UVLO             | Programmable under voltage lock out threshold input. A voltage divider between supply voltage and GND can be connected in order to program the turn on threshold.   |
| 16 | SYNC (L4981A)      | This synchronization input/output pin is CMOS logic compatible. Operating as SYNC in, a rectangular wave must be applied at this pin. Opearting as SYNC out, a rectangular clock pulse train is available to synchronize other devices.   |
|    | FREQ-MOD (L4981B)  | Frequency modulation current input. An external resistor must be connected between pin 16 and the rectified line voltage in order to modulate the oscillator frequency. Connecting pin 16 to ground a fixed frequency imposed by R <sub>OSC</sub> and C <sub>OSC</sub> is obtained.   |
| 17 | R <sub>OSC</sub>   | An external resistor connected to ground fixes the constant charging current of C <sub>OSC</sub> .  |
| 18 | C <sub>OSC</sub>   | An external capacitor connected to GND fixes the switching frequency.   |
| 19 | V <sub>CC</sub>    | Supply input voltage.   |
| 20 | GDRV               | Output gate driver. Bipolar and DMOS transistors totem pole output stage can deliver peak current in excess 1A useful to drive MOSFET or IGBT power stages.   |

## L4981A - L4981B

**ELECTRICAL CHARACTERISTICS** (Unless otherwise specified  $V_{CC} = 18V$ ,  $C_{OSC} = 1nF$ ,  $R_{OSC} = 24K\Omega$ ,  $C_{SS} = 1\mu F$ ,  $V_{CA-OUT} = 3.5V$ ,  $V_{ISENSE} = 0V$ ,  $V_{LFF} = V_{REF}$ ,  $I_{AC} = 100\mu A$ ,  $V_{RMS} = 1V$ ,  $V_{FEED} = GND$ ,  $V_{IPK} = 1V$ ,  $V_{OVP} = 1V$ ,  $T_J = 25^\circ C$ )

| Symbol   | Parameter                               | Test Condition   | Min. | Typ. | Max.    | Unit    |
|--|---|--|------|------|---------|---------|
| <b>ERROR AMPLIFIER SECTION</b>                         |   |  |      |      |         |         |
| $V_{IO}$   | Input Offset Voltage                    | $-25^\circ C < T_J < 85^\circ C$                                 |      |      | $\pm 8$ | mV      |
| $I_{IB}$   | Input Bias Current                      | $V_{FEED} = 0V$  | -500 | -50  | 500     | nA      |
|  | Open Loop Gain                          |  | 70   | 100  |         | dB      |
| $V_{13H}$  | Output High voltage                     | $V_{FEED} = 4.7V$<br>$I_{VA-OUT} = -0.5mA$                       | 5.5  | 6.5  | 7.5     | V       |
| $V_{13L}$  | Output Low Voltage                      | $V_{FEED} = 5.5V$<br>$I_{VA-OUT} = 0.5mA$                        |      | 0.4  | 1       | V       |
| $-I_{13}$  | Output Source Current                   | $V_{FEED} = 4.7V$ ; $V_{VA-OUT} = 3.5V$                          | 2    | 10   |         | mA      |
| $I_{13}$   | Output Sink Current                     | $V_{FEED} = 5.5V$ ; $V_{VA-OUT} = 3.5V$                          | 4    | 20   |         | mA      |
| <b>REFERENCE SECTION</b>                               |   |  |      |      |         |         |
| $V_{ref}$  | Reference Output Voltage                | $-25^\circ C < T_J < 85^\circ C$                                 | 4.97 | 5.1  | 5.23    | V       |
|  |   | $T_J = 25^\circ C$ $I_{ref} = 0$                                 | 5.01 | 5.1  | 5.19    | V       |
| $\Delta V_{ref}$                                       | Load Regulation                         | $1mA \leq I_{ref} \leq 10mA$<br>$-25^\circ C < T_J < 85^\circ C$ |      | 3    | 15      | mV      |
| $\Delta V_{ref}$                                       | Line Regulation                         | $12V \leq V_{CC} \leq 19V$<br>$-25^\circ C < T_J < 85^\circ C$   |      | 3    | 10      | mV      |
| $I_{refsc}$  | Short Circuit Current                   | $V_{ref} = 0V$   | 20   | 30   | 50      | mA      |
| <b>OSCILLATOR SECTION</b>                              |   |  |      |      |         |         |
| $f_{osc}$  | Initial Accuracy                        | $T_J = 25^\circ C$   | 85   | 100  | 115     | KHz     |
|  | Frequency Stability                     | $12V \leq V_{CC} \leq 19V$<br>$-25^\circ C < T_J < 85^\circ C$   | 80   | 100  | 120     | KHz     |
| $V_{svp}$  | Ramp Valley to Peak                     |  | 4.7  | 5    | 5.3     | V       |
| $I_{18C}$  | Charge Current                          | $V_{COSC} = 3.5V$  | 0.45 | 0.55 | 0.65    | mA      |
| $I_{18D}$  | Discharge Current                       | $V_{COSC} = 3.5V$  |      | 11.5 |         | mA      |
| $V_{18}$   | Ramp Valley Voltage                     |  | 0.9  | 1.15 | 1.4     | V       |
| <b>SYNC SECTION (Only for L4981A)</b>                  |   |  |      |      |         |         |
| $t_W$  | Output Pulse Width                      | 50% Amplitude  | 0.3  | 0.8  |         | $\mu s$ |
| $I_{16}$   | Sink Current with Low Output Voltage    | $V_{SYNC} = 0.4V$<br>$V_{COSC} = 0V$                             | 0.4  | 0.8  |         | mA      |
| $-I_{16}$  | Source Current with High Output Voltage | $V_{SYNC} = 4.5V$<br>$V_{COSC} = 6.7V$                           | 1    | 6    |         | mA      |
| $V_{16L}$  | Low Input Voltage                       |  |      |      | 0.9     | V       |
| $V_{16H}$  | High Input Voltage                      |  | 3.5  |      |         | V       |
| $t_d$  | Pulse for Synchronization               |  | 800  |      |         | ns      |
| <b>FREQUENCY MODULATION FUNCTION (Only for L4981B)</b> |   |  |      |      |         |         |
| $f_{18max}$  | Maximum Oscillation Frequency           | $V_{FREQ-MOD} = 0V$ (Pin 16) $I_{freq} = 0$                      | 85   | 100  | 115     | KHz     |
| $f_{18min}$  | Minimum Oscillator Frequency            | $I_{FREQ-MOD} = 360\mu A$ (Pin 16)<br>$V_{VRMS} = 4V$ (Pin 7)    |      | 74   |         | KHz     |
|  |   | $I_{FREQ-MOD} = 180\mu A$ (Pin 16)<br>$V_{VRMS} = 2V$ (Pin 7)    |      | 76   |         | KHz     |
| <b>SOFT START SECTION</b>                              |   |  |      |      |         |         |
| $I_{SS}$   | Soft Start Source Current               | $V_{SS} = 3V$  | 60   | 100  | 140     | $\mu A$ |
| $V_{12sat}$  | Output Saturation Voltage               | $V_3 = 6V$ , $I_{SS} = 2mA$                                      |      | 0.1  | 0.25    | V       |

## ELECTRICAL CHARACTERISTICS (continued)

| Symbol                                    | Parameter                      | Test Condition   | Min.               | Typ. | Max.               | Unit    |
|---|--------------------------------|--|--------------------|------|--------------------|---------|
| <b>SUPPLY VOLTAGE</b>                     |                                |  |                    |      |                    |         |
| $V_{CC}$                                  | Operating Supply Voltage       |  |                    |      | 19.5               | V       |
| <b>OVER VOLTAGE PROTECTION COMPARATOR</b> |                                |  |                    |      |                    |         |
| $V_{thr}$                                 | Rising Threshold Voltage       |  | $V_{ref}$<br>-20mV | 5.1  | $V_{ref}$<br>+20mV | V       |
| $V_{3Hys}$                                | Hysteresis                     |  | 180                | 250  | 320                | mV      |
| $I_3$                                     | Input Bias Current             |  |                    | 0.05 | 1                  | $\mu$ A |
| $t_d$                                     | Propagation delay to output    | $V_{OVP} = V_{thr} + 100mV$  |                    | 1    | 2                  | $\mu$ s |
| <b>OVER CURRENT PROTECTION COMPARATOR</b> |                                |  |                    |      |                    |         |
| $V_{th}$                                  | Threshold Voltage              |  |                    |      | $\pm 30$           | mV      |
| $t_d$                                     | Propagation delay to Output    | $V_{OCP} = V_{thr} - 0.2V$   |                    | 0.4  | 0.9                | $\mu$ s |
| $I_{pk}$                                  | Current Source Generator       | $V_{IPK} = -0.1V$ <b>only for L4981A</b>                               | 65                 | 85   | 105                | $\mu$ A |
| $I_L$                                     | Leakage Current                | $V_{IPK} = -0.1V$ <b>only for L4981B</b>                               |                    |      | 5                  | $\mu$ A |
| <b>CURRENT AMPLIFIER SECTION</b>          |                                |  |                    |      |                    |         |
| $V_{offset}$                              | Input Offset Voltage           | $V_{MULT OUT} = V_{SENSE} = 3.5V$                                      |                    |      | $\pm 2$            | mV      |
| $I_{9bias}$                               | Input Bias Current             | $V_{SENSE} = 0V$   | -500               | 50   | 500                | nA      |
|   | Open Loop Gain                 | $1.1V \leq V_{CA OUT} \leq 6V$   | 70                 | 100  |                    | dB      |
| SVR                                       | Supply Voltage Rejection       | $12V \leq V_{CC} \leq 19V$<br>$V_{MULT OUT} = 3.5V$ $V_{SENSE} = 3.5V$ | 68                 | 90   |                    | dB      |
| $V_{5H}$                                  | Output High Voltage            | $V_{MULT OUT} = 200mV$<br>$I_{CA OUT} = -0.5mA$ , $V_{IAC} = 0V$       | 6.2                |      |                    | V       |
| $V_{5L}$                                  | Output Low Voltage             | $V_{MULT OUT} = -200mV$<br>$I_{CA OUT} = 0.5mA$ , $V_{IAC} = 0V$       |                    |      | 0.9                | V       |
| $-I_5$                                    | Output Source Current          | $V_{MULT OUT} = 200mV$ ,<br>$V_{IAC} = 0V$ , $V_{CA-OUT} = 3.5V$       | 2                  | 10   |                    | mA      |
| $I_5$                                     | Output Sink Current            |  | 2                  | 10   |                    | mA      |
| <b>OUTPUT SECTION</b>                     |                                |  |                    |      |                    |         |
| $V_{20L}$                                 | Output Voltage Low             | $I_{SINK} = 250mA$   |                    | 0.5  | 0.8                | V       |
| $V_{20H}$                                 | Output Voltage High            | $I_{SOURCE} = 250mA$<br>$V_{CC} = 15V$                                 | 11.5               | 12.5 |                    | V       |
| $t_r$                                     | Output Voltage Rise Time       | $C_{OUT} = 1nF$  |                    | 50   | 150                | ns      |
| $t_f$                                     | Output Voltage Fall Time       | $C_{OUT} = 1nF$  |                    | 30   | 100                | ns      |
| $V_{GDRV}$                                | Voltage Clamp                  | $I_{SOURCE} = 0mA$   | 13                 | 16   | 19                 | V       |
| <b>TOTAL STANDBY CURRENT SECTION</b>      |                                |  |                    |      |                    |         |
| $I_{19start}$                             | Supply Current before start up | $V_{CC} = 14V$   |                    | 0.3  | 0.5                | mA      |
| $I_{19on}$                                | Supply Current after turn on   | $V_{IAC} = 0V$ , $V_{COSC} = 0$ ,<br>Pin17 = Open                      |                    | 8    | 12                 | mA      |
| $I_{19}$                                  | Operating Supply Current       | Pin20 = 1nF  |                    | 12   | 16                 | mA      |
| $V_{CC}$                                  | Zener Voltage                  | (*)  | 20                 | 25   | 30                 | V       |
| <b>UNDER VOLTAGE LOCKOUT SECTION</b>      |                                |  |                    |      |                    |         |
| $V_{th ON}$                               | Turn on Threshold              |  | 14.5               | 15.5 | 16.5               | V       |
| $V_{th OFF}$                              | Turn off Threshold             |  | 9                  | 10   | 11                 | V       |
|   | Programmable Turn-on Threshold | Pin 15 to $V_{CC} = 220K$<br>Pin15 to GND = 33K                        | 10.6               | 12   | 13.4               | V       |
| <b>LOAD FEED FORWARD</b>                  |                                |  |                    |      |                    |         |
| $I_{LFF}$                                 | Bias Current                   | $V_6 = 1.6V$   |                    | 70   | 140                | $\mu$ A |
|   |                                | $V_6 = 5.3V$   |                    | 200  | 300                | $\mu$ A |
| $V_I$                                     | Input Voltage Range            |  | 1.6                |      | 5.3                | V       |

(\*) Maximum package power dissipation limits must be observed.



ELECTRICAL CHARACTERISTICS (continued)

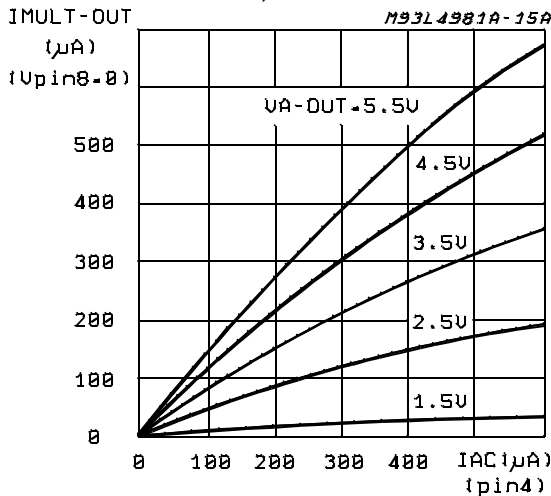
| Symbol                    | Parameter                 | Test Condition  | Min. | Typ. | Max. | Unit    |
|---------------------------|---------------------------|---|------|------|------|---------|
| <b>MULTIPLIER SECTION</b> |                           |   |      |      |      |         |
|                           | Multiplier Output Current | $V_{VA-OUT} = 4V, V_{RMS} = 2V, V_{MULTOUT} = 0, V_{LFF} = 5.1V, I_{AC} = 50\mu A, C_{OSC} = 0V$  | 20   | 35   | 52   | $\mu A$ |
|                           |                           | $V_{VA-OUT} = 4V, V_{RMS} = 2V, V_{MULTOUT} = 0, V_{LFF} = 5.1V, I_{AC} = 200\mu A, C_{OSC} = 0V$ | 100  | 135  | 170  | $\mu A$ |
|                           |                           | $V_{VA-OUT} = 2V, V_{RMS} = 2V, V_{MULTOUT} = 0, V_{LFF} = 5.1V, I_{AC} = 100\mu A, C_{OSC} = 0V$ | 10   | 20   | 30   | $\mu A$ |
|                           |                           | $V_{VA-OUT} = 2V, V_{RMS} = 4V, V_{MULTOUT} = 0, V_{LFF} = 5.1V, I_{AC} = 100\mu A, C_{OSC} = 0V$ | 2    | 5.5  | 11   | $\mu A$ |
|                           |                           | $V_{VA-OUT} = 4V, V_{RMS} = 4V, V_{MULTOUT} = 0, V_{LFF} = 5.1V, I_{AC} = 100\mu A, C_{OSC} = 0V$ | 10   | 22   | 34   | $\mu A$ |
|                           |                           | $V_{VA-OUT} = 4V, V_{RMS} = 2V, V_{MULTOUT} = 0, V_{LFF} = 2.5V, C_{OSC} = 0V, I_{AC} = 200\mu A$ | 20   | 37   | 54   | $\mu A$ |
|                           |                           | $V_{VA-OUT} = 4V, V_{RMS} = 4V, V_{MULTOUT} = 0, V_{LFF} = 5.1V, I_{AC} = 200\mu A, C_{OSC} = 0V$ | 20   | 39   | 54   | $\mu A$ |
|                           |                           | $V_{VA-OUT} = 2V, V_{RMS} = 4V, V_{MULTOUT} = 0, V_{LFF} = 5.1V, I_{AC} = 0, C_{OSC} = 0V$        | -2   | 0    | 2    | $\mu A$ |
| K                         | Multiplier Gain           |   |      | 0.37 |      |         |

$$I_{MULT-OUT} = K \cdot I_{AC} \frac{(V_{VA-OUT} - 1.28) \cdot (0.8 \cdot V_{LFF} - 1.28)}{(V_{RMS})^2}$$

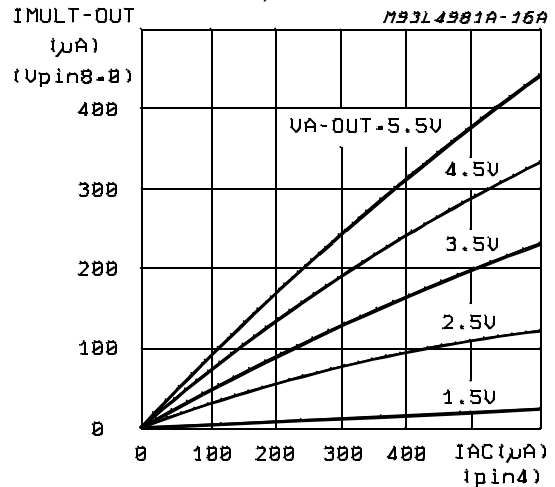
if  $V_{LFF} = V_{REF}; I_{MULT-OUT} = I_{AC} \frac{(V_{VA-OUT} - 1.28)}{(V_{RMS})^2} \cdot K1$

where:  $K1 = 1V$

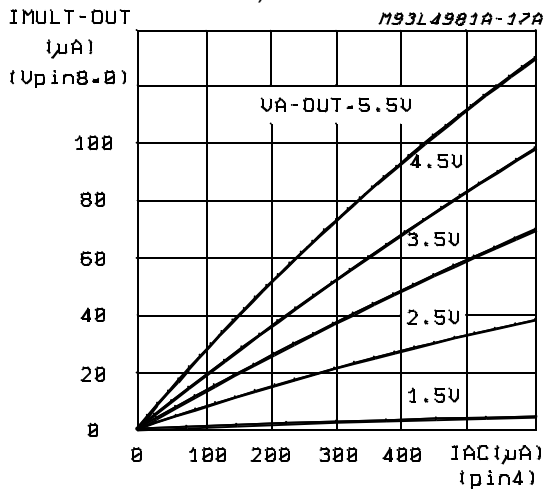
**Figure 1: MULTI-OUT vs. I<sub>AC</sub> ( $V_{RMS} = 1.7V; V_{LFFD} = 5.1V$ )**



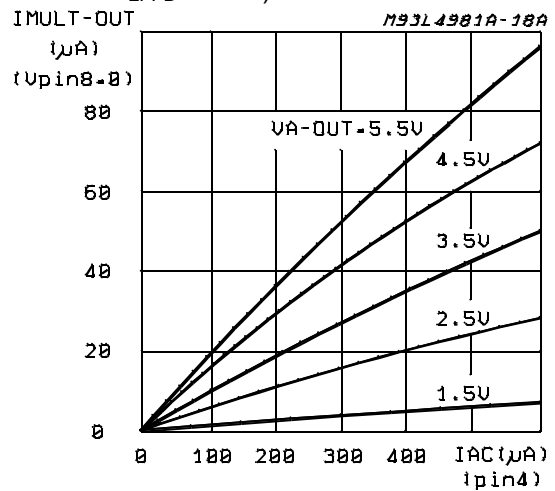
**Figure 2: MULTI-OUT vs. I<sub>AC</sub> ( $V_{RMS} = 2.2V; V_{LFFD} = 5.1V$ )**



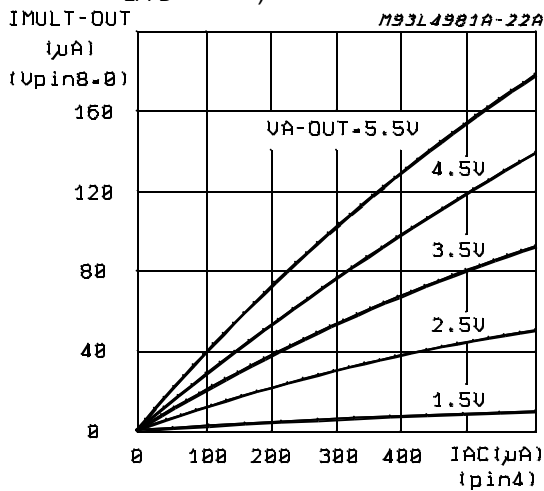
**Figure 3:** MULTI-OUT vs. I<sub>AC</sub> (V<sub>RMS</sub> = 4.4V; V<sub>LFFD</sub> = 5.1V)



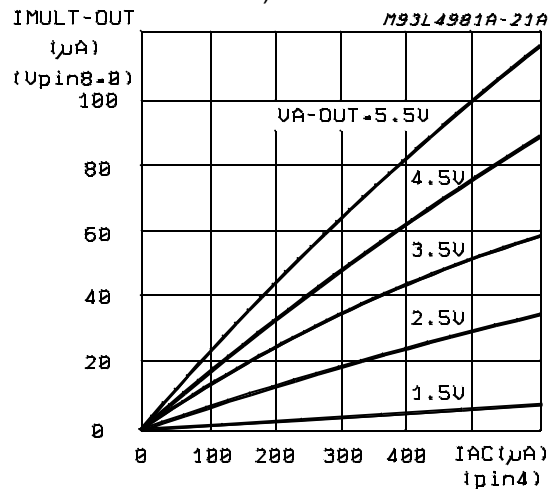
**Figure 4:** MULTI-OUT vs. I<sub>AC</sub> (V<sub>RMS</sub> = 5.3V; V<sub>LFFD</sub> = 5.1V)



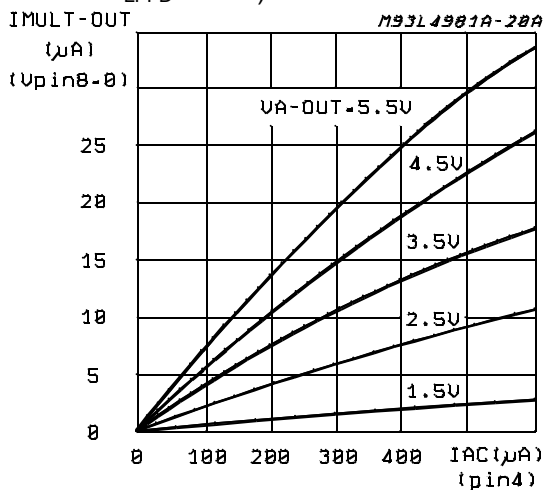
**Figure 5:** MULTI-OUT vs. I<sub>AC</sub> (V<sub>RMS</sub> = 1.7V; V<sub>LFFD</sub> = 2.5V)



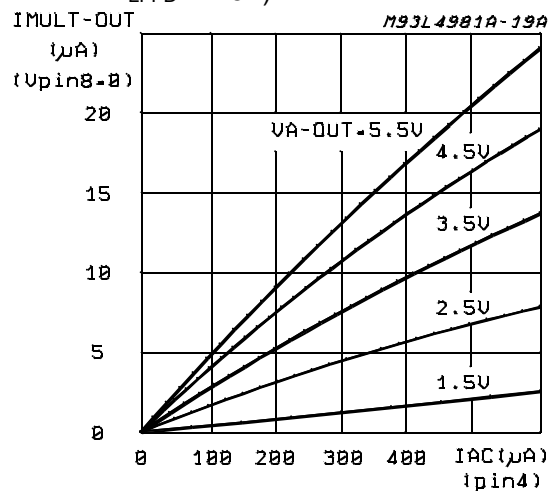
**Figure 6:** MULTI-OUT vs. I<sub>AC</sub> (V<sub>RMS</sub> = 2.2V; V<sub>LFFD</sub> = 2.5V)



**Figure 7:** MULTI-OUT vs. I<sub>AC</sub> (V<sub>RMS</sub> = 4.4V; V<sub>LFFD</sub> = 2.5V)

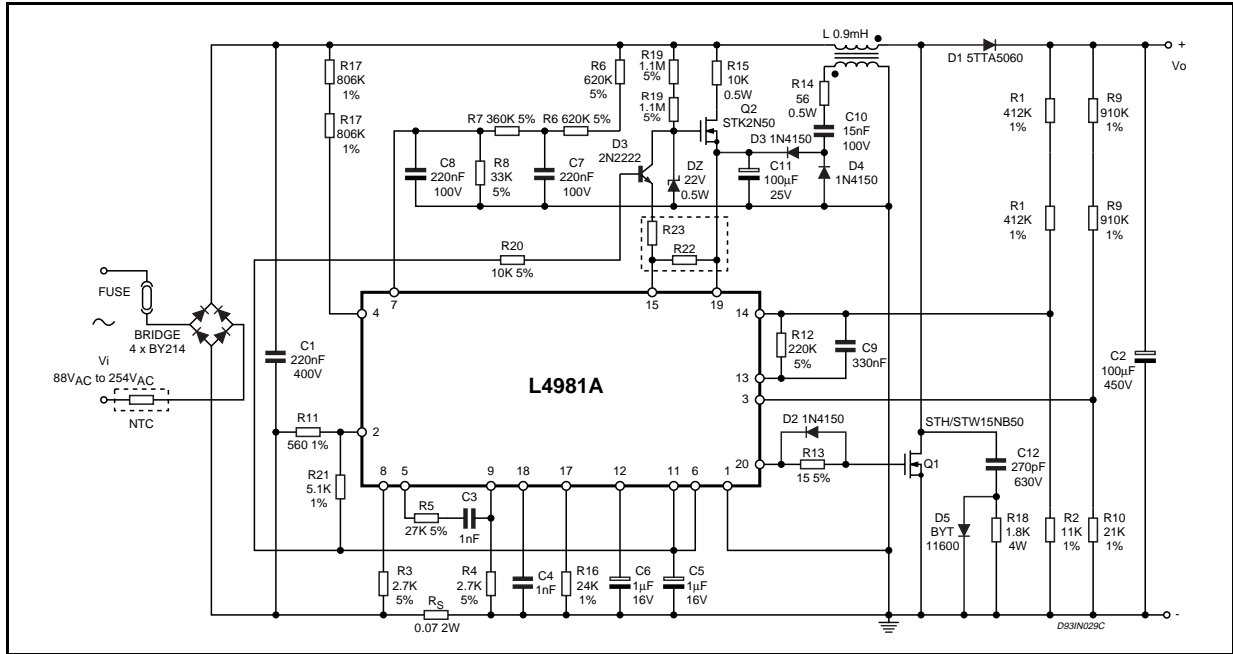


**Figure 8:** MULTI-OUT vs. I<sub>AC</sub> (V<sub>RMS</sub> = 5.3V; V<sub>LFFD</sub> = 2.5V)



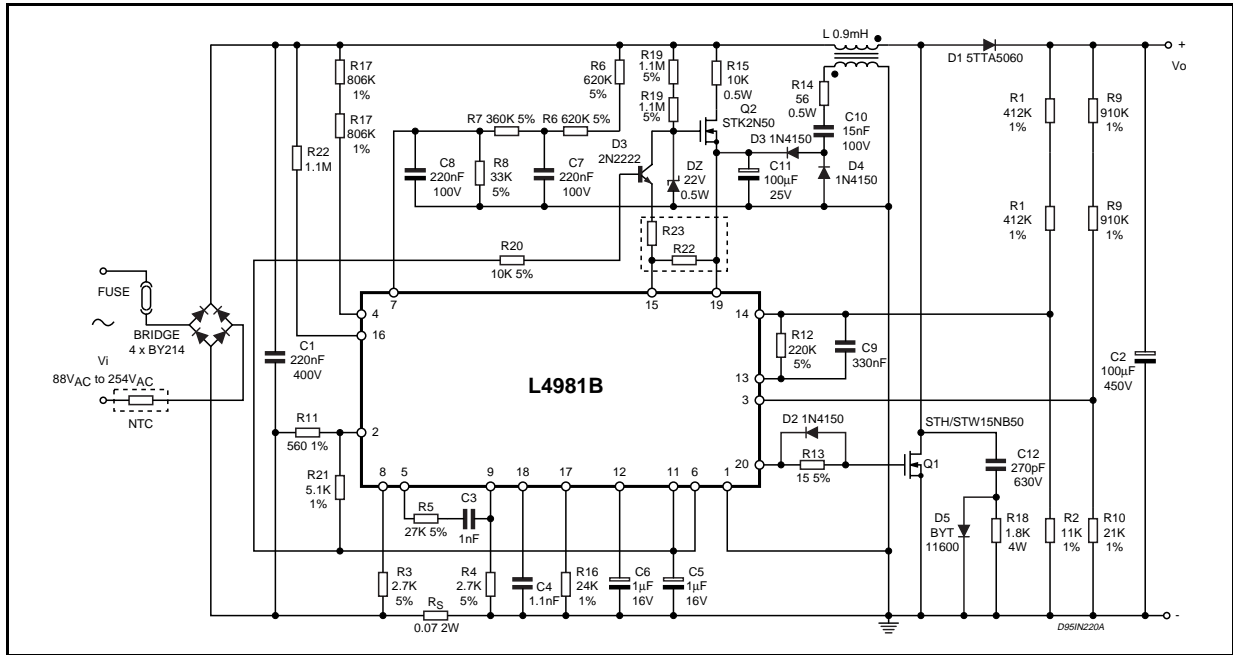
# L4981A - L4981B

**Figure 9A: L4981A Power Factor Corrector (200W)**



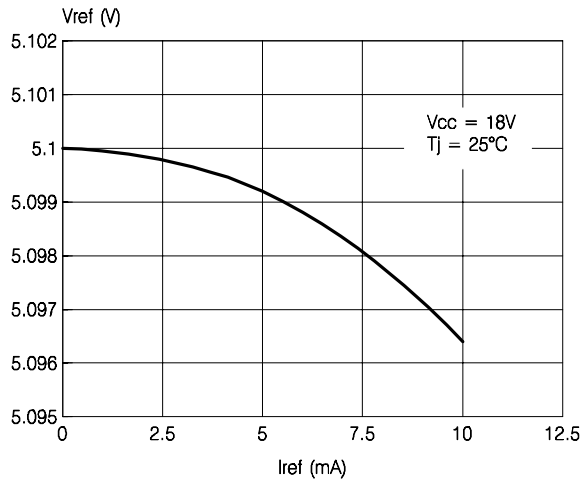
$f_{sw} = 80\text{kHz}$ ;  $P_O = 200\text{W}$ ;  $V_{OUT} = 400\text{V}$ ;  $I_{rms\ max} = 2.53\text{A}$ ;  $V_{OVP} = 442\text{V}$ ;  $I_{PK\ max} = 6.2\text{A}$

**Figure 9B: L4981B Power Factor Corrector (200W)**

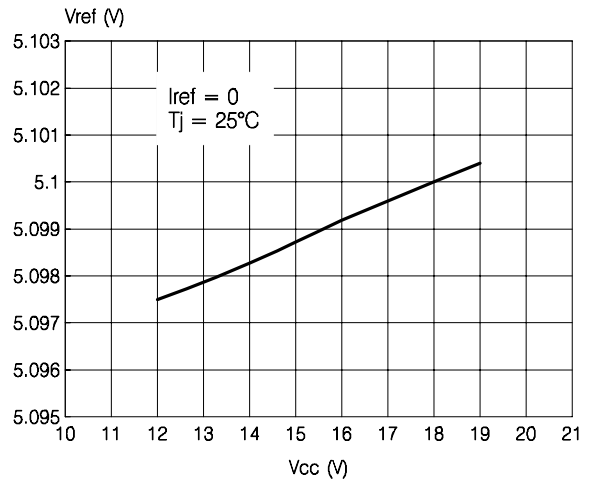


$f_{sw} = 80\ \text{to}\ 92\text{kHz}$ ;  $P_O = 200\text{W}$ ;  $V_{OUT} = 400\text{V}$ ;  $I_{rms\ max} = 2.53\text{A}$ ;  $V_{OVP} = 442\text{V}$ ;  $I_{PK\ max} = 6.2\text{A}$

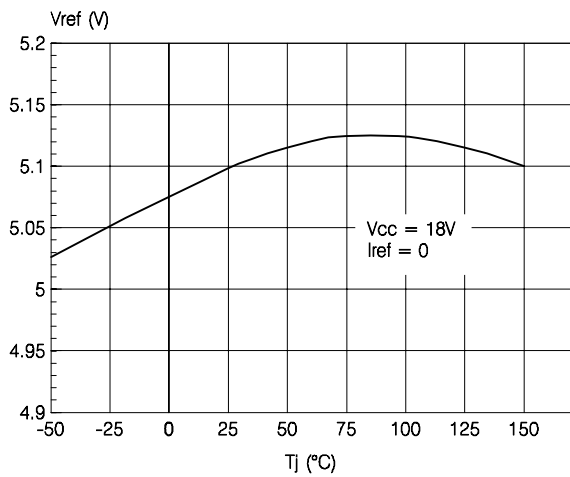
**Figure 10:** Reference Voltage vs. Source Reference Current



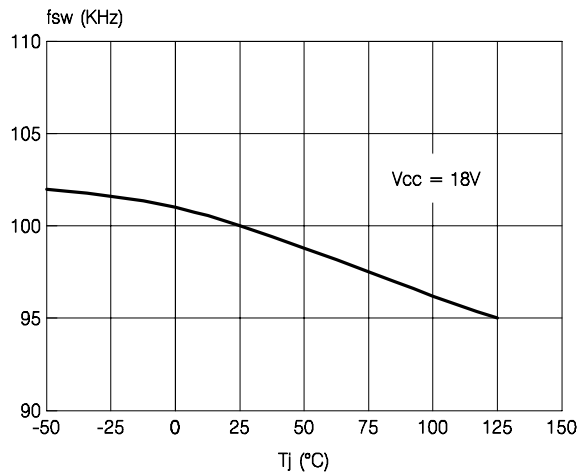
**Figure 11:** Reference Voltage vs. Supply Voltage



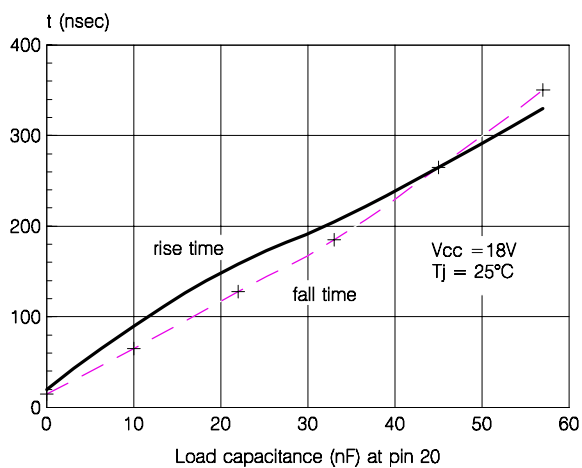
**Figure 12:** Reference Voltage vs. Junction Temperature



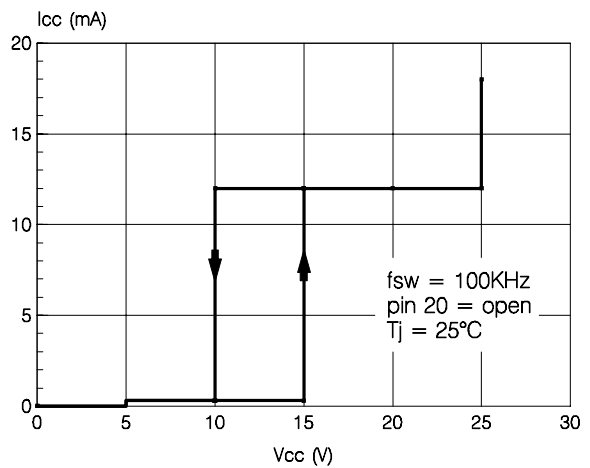
**Figure 13:** Switching Frequency vs. Junction Temperature



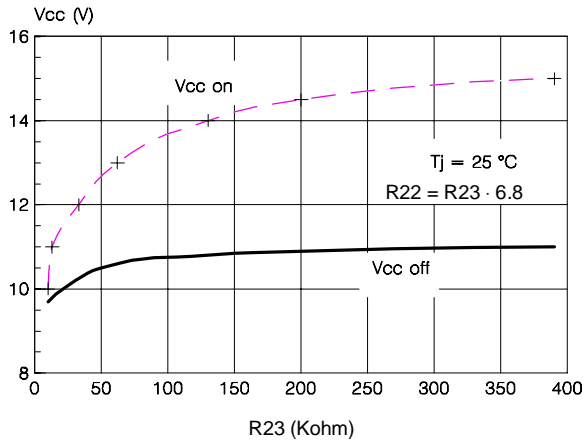
**Figure 14:** Gate Driver Rise and Fall Time



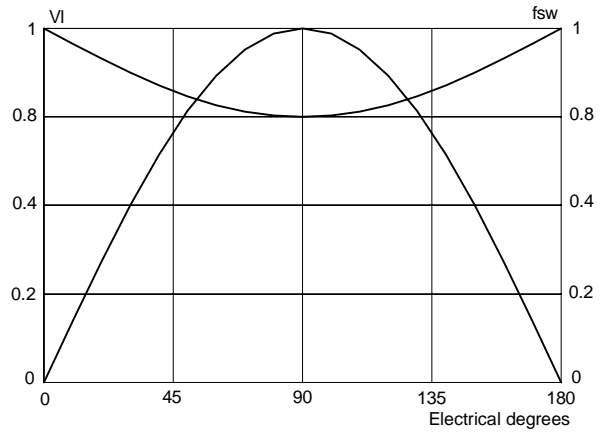
**Figure 15:** Operating Supply Current vs. Supply Voltage



**Figure 16:** Programmable Under Voltage Lockout Thresholds



**Figure 17:** Modulation Frequency Normalized in an Half Cycle of the Mains Voltage



**Table 1:** Programmable Under Voltage Lockout Thresholds.

| V <sub>CC ON</sub> | V <sub>CC OFF</sub> | R <sub>22</sub> | R <sub>23</sub> |
|--------------------|---------------------|-----------------|-----------------|
| 11V                | 10V                 | 82kΩ            | 12kΩ            |
| 12V                | 10.1V               | 220kΩ           | 33kΩ            |
| 13V                | 10.5V               | 430kΩ           | 62kΩ            |
| 14V                | 10.8V               | 909kΩ           | 133kΩ           |
| 14.5V              | 10.9V               | 1.36MΩ          | 200kΩ           |
| 15V                | 11V                 | 2.7MΩ           | 390kΩ           |

**Figure 18:** Oscillator Diagram

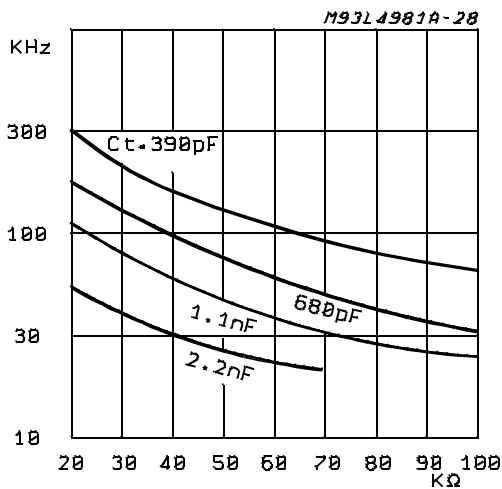


Figure 19: Demo Board Circuit ( $V_O = 400V$ ;  $P_O = 360W$ ).

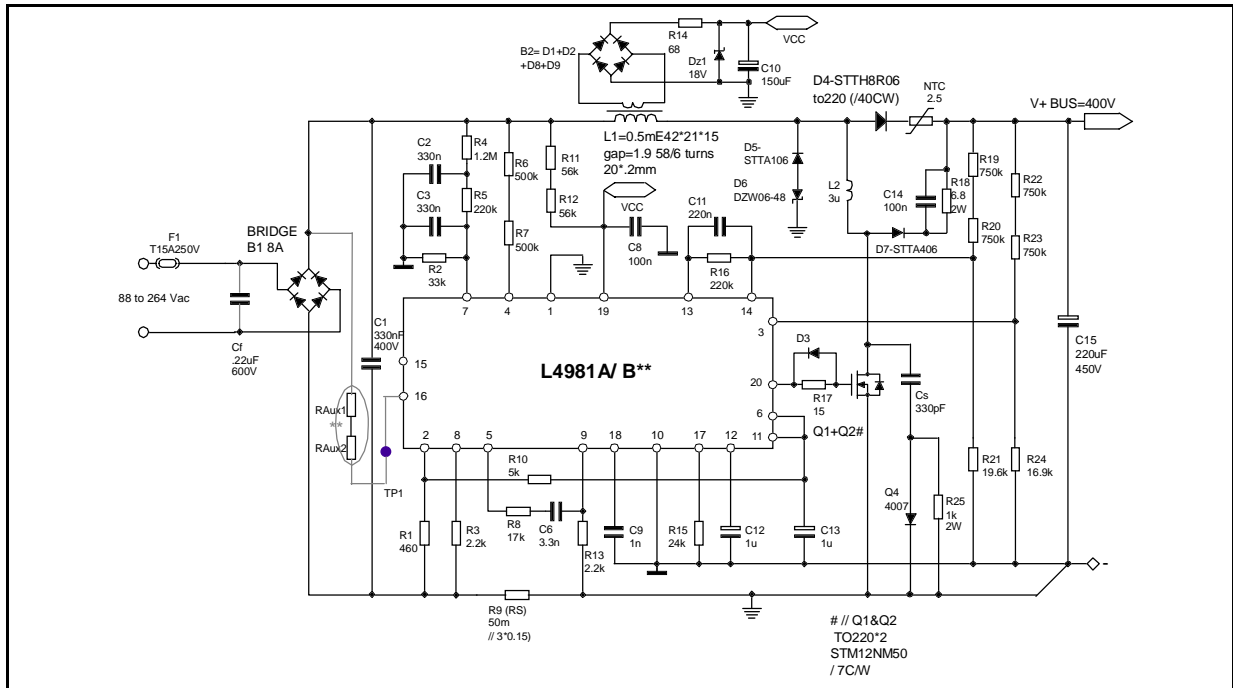
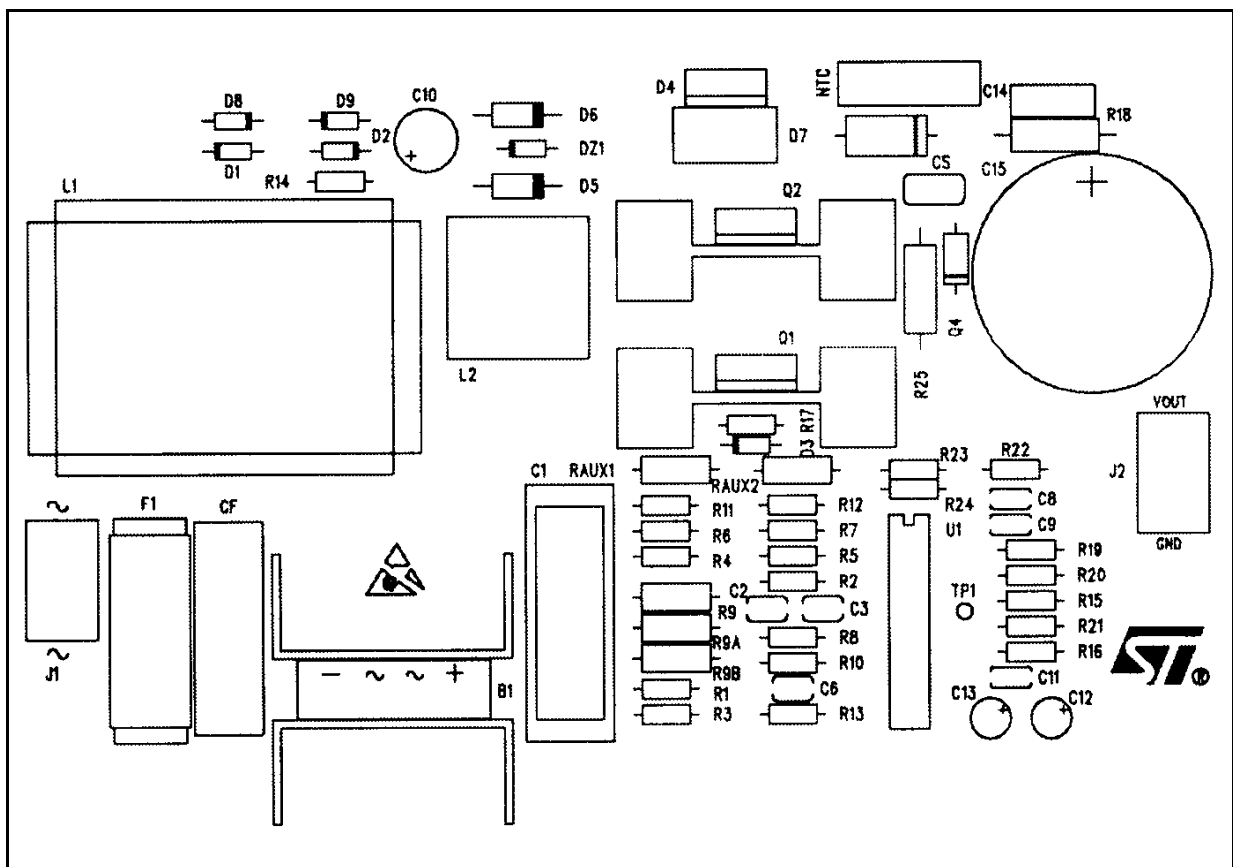


Figure 20: Component Layout (Dimensions 88 x 150mm).



L4981A - L4981B

Figure 20: P.C.B. Component Side (Dimensions 88 x 150mm).

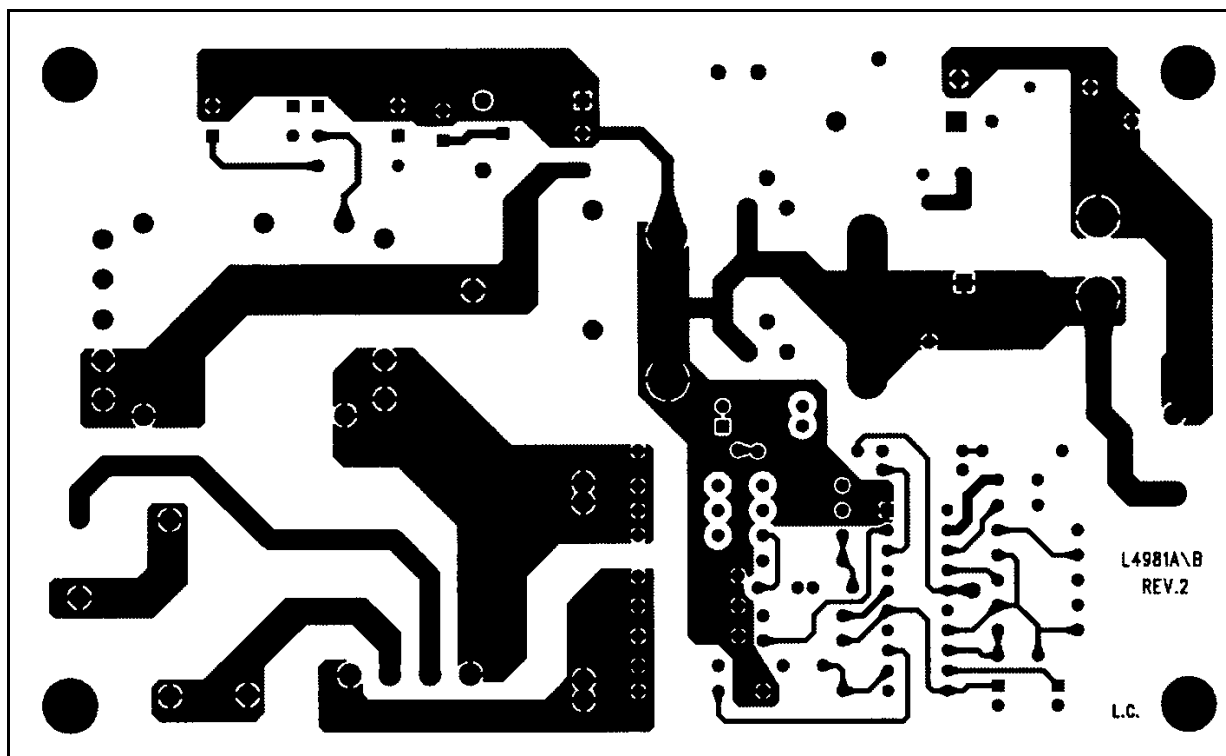
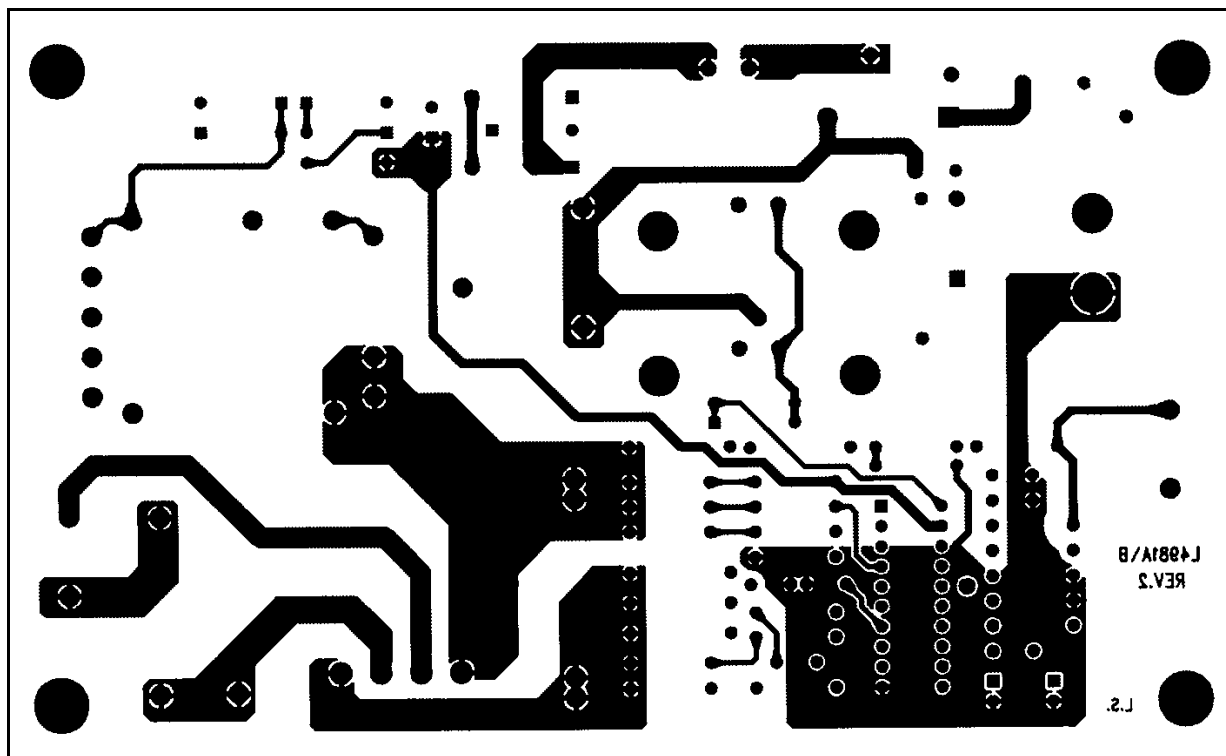


Figure 20: P.C.B. Solder Side (Dimensions 88 x 150mm).



---

**DEMO BOARD EVALUATION RESULTS**
**Table 2. Nominal Power range at 110Vac.**

| $V_{\text{mains}}$ | $P_{\text{out}}$ | $V_{\text{out}}$ | $P_{\text{in}}$ | THD  | PF    | Eff. |
|--------------------|------------------|------------------|-----------------|------|-------|------|
| 88Vac              | 366W             | 404Vdc           | 397W            | 5%   | 0.998 | .92  |
| 110Vac             | 370W             | 406Vdc           | 395W            | 2.2% | 0.999 | .94  |
| 132Vac             | 372W             | 407Vdc           | 394W            | 3%   | 0.999 | .945 |

**Table 3. Nominal Power range at 220Vac.**

| $V_{\text{mains}}$ | $P_{\text{out}}$ | $V_{\text{out}}$ | $P_{\text{in}}$ | THD  | PF    | Eff. |
|--------------------|------------------|------------------|-----------------|------|-------|------|
| 176Vac             | 378W             | 410Vdc           | 394W            | 4.7% | 0.997 | .959 |
| 220Vac             | 381W             | 412Vdc           | 395W            | 6.4% | 0.993 | .964 |
| 264Vac             | 381W             | 412Vdc           | 395W            | 8.1% | 0.987 | .964 |

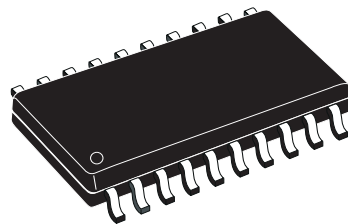
**REFERENCE:**

AN628 - DESIGNING A HIGH POWER FACTOR SWITCHING PREREGULATOR WITH THE L4981  
CONTINUOUS MODE

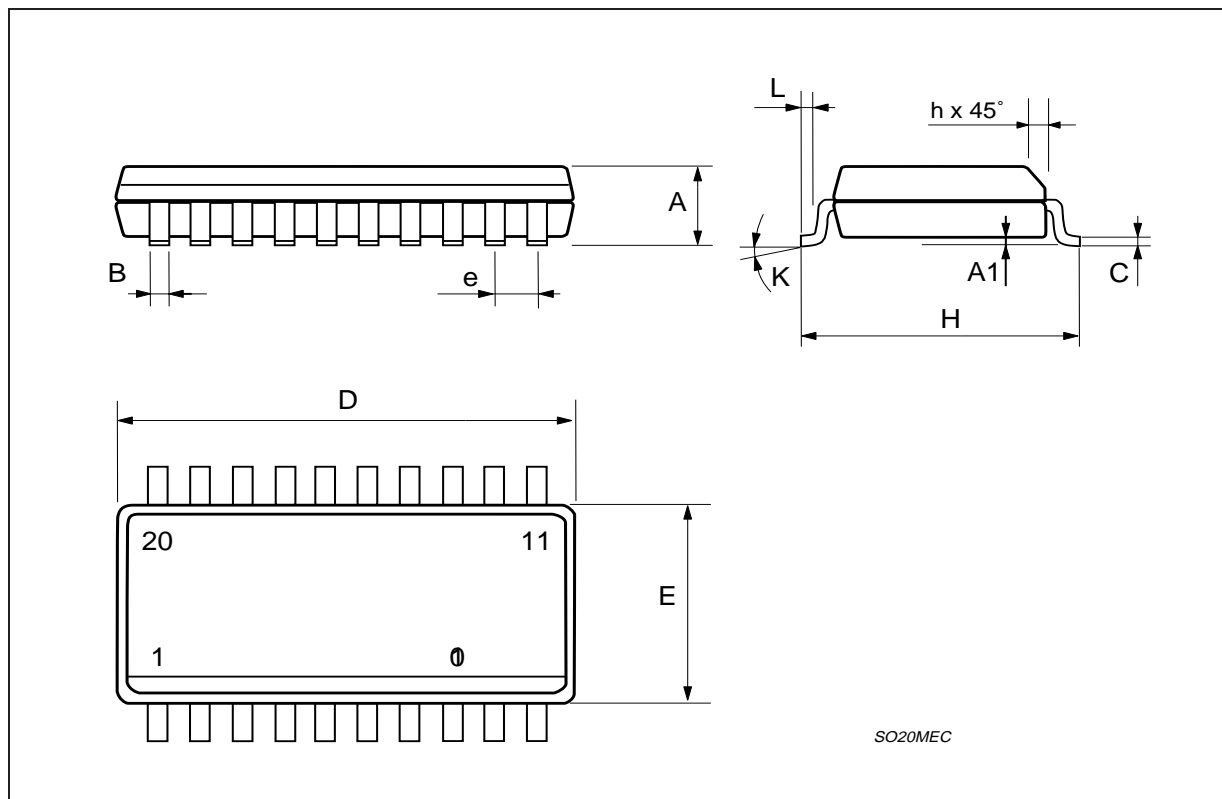
# L4981A - L4981B

| DIM. | mm                 |      |       | inch  |       |       |
|------|--------------------|------|-------|-------|-------|-------|
|      | MIN.               | TYP. | MAX.  | MIN.  | TYP.  | MAX.  |
| A    | 2.35               |      | 2.65  | 0.093 |       | 0.104 |
| A1   | 0.1                |      | 0.3   | 0.004 |       | 0.012 |
| B    | 0.33               |      | 0.51  | 0.013 |       | 0.020 |
| C    | 0.23               |      | 0.32  | 0.009 |       | 0.013 |
| D    | 12.6               |      | 13    | 0.496 |       | 0.512 |
| E    | 7.4                |      | 7.6   | 0.291 |       | 0.299 |
| e    |                    | 1.27 |       |       | 0.050 |       |
| H    | 10                 |      | 10.65 | 0.394 |       | 0.419 |
| h    | 0.25               |      | 0.75  | 0.010 |       | 0.030 |
| L    | 0.4                |      | 1.27  | 0.016 |       | 0.050 |
| K    | 0° (min.)8° (max.) |      |       |       |       |       |

## OUTLINE AND MECHANICAL DATA

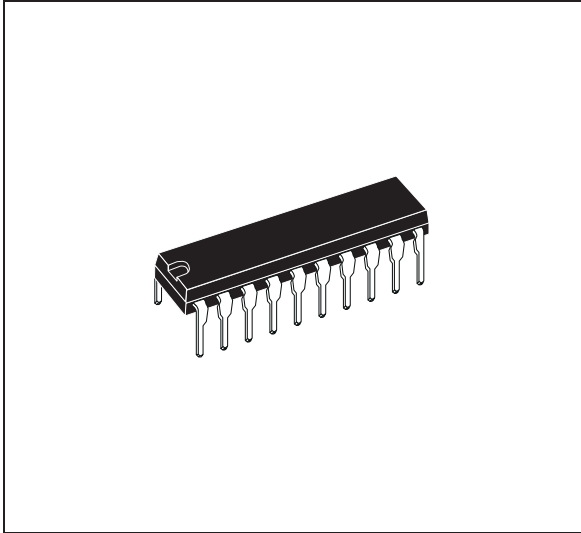


**SO20**

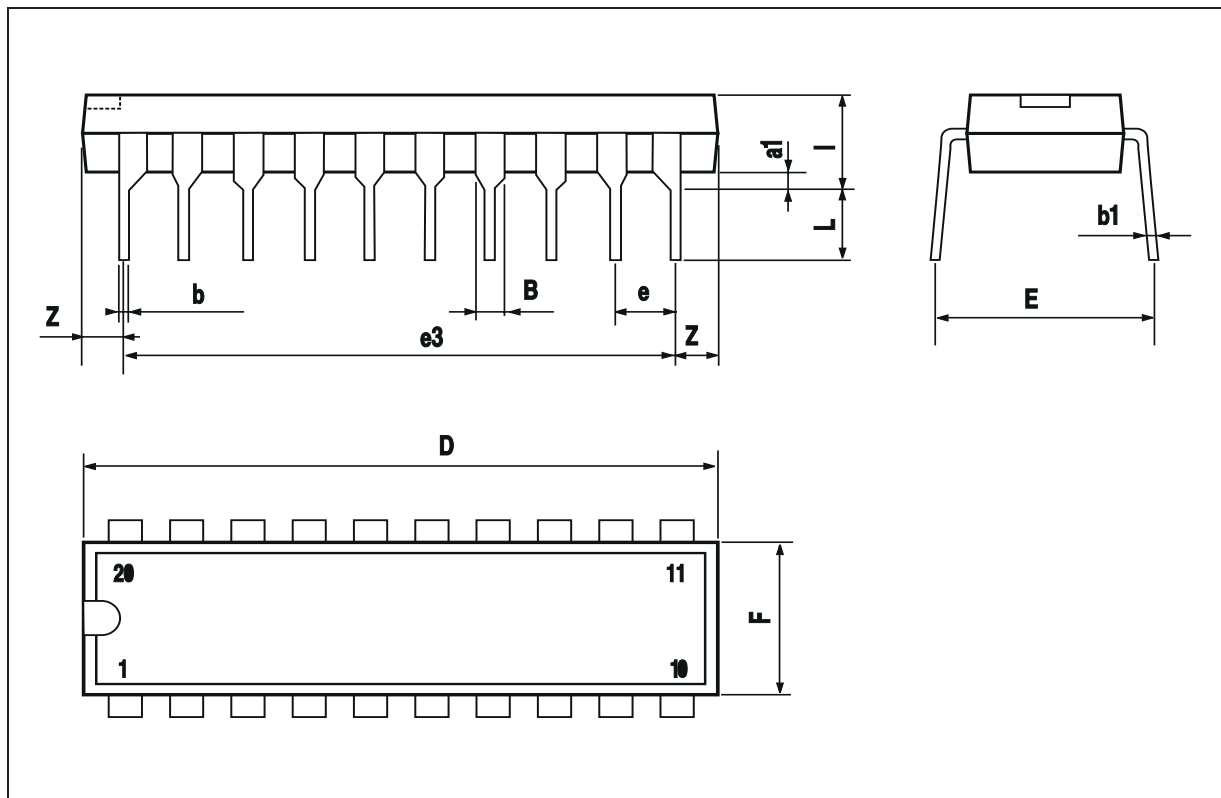


| DIM. | mm    |       |      | inch  |       |       |
|------|-------|-------|------|-------|-------|-------|
|      | MIN.  | TYP.  | MAX. | MIN.  | TYP.  | MAX.  |
| a1   | 0.254 |       |      | 0.010 |       |       |
| B    | 1.39  |       | 1.65 | 0.055 |       | 0.065 |
| b    |       | 0.45  |      |       | 0.018 |       |
| b1   |       | 0.25  |      |       | 0.010 |       |
| D    |       |       | 25.4 |       |       | 1.000 |
| E    |       | 8.5   |      |       | 0.335 |       |
| e    |       | 2.54  |      |       | 0.100 |       |
| e3   |       | 22.86 |      |       | 0.900 |       |
| F    |       |       | 7.1  |       |       | 0.280 |
| I    |       |       | 3.93 |       |       | 0.155 |
| L    |       | 3.3   |      |       | 0.130 |       |
| Z    |       |       | 1.34 |       |       | 0.053 |

**OUTLINE AND MECHANICAL DATA**



**DIP20**



Information furnished is believed to be accurate and reliable. However, STMicroelectronics assumes no responsibility for the consequences of use of such information nor for any infringement of patents or other rights of third parties which may result from its use. No license is granted by implication or otherwise under any patent or patent rights of STMicroelectronics. Specification mentioned in this publication are subject to change without notice. This publication supersedes and replaces all information previously supplied. STMicroelectronics products are not authorized for use as critical components in life support devices or systems without express written approval of STMicroelectronics.

The ST logo is a registered trademark of STMicroelectronics

© 2001 STMicroelectronics – Printed in Italy – All Rights Reserved



STMicroelectronics GROUP OF COMPANIES

Australia - Brazil - Canada - China - Finland - France - Germany - Hong Kong - India - Israel - Italy - Japan - Malaysia - Malta - Morocco - Singapore - Spain - Sweden - Switzerland - United Kingdom - United States.

<http://www.st.com>

## Looking for pricing, stock, or lifecycle information?

Click below to explore more details on WIN SOURCE:

-  [View L4981BD on WIN SOURCE](#)
-  [STMicroelectronics](#) Information

## Optimize Your Supply Chain with WIN SOURCE Solutions

-  Global Sourcing Solution
-  Obsolete Management
-  Cost Control Management
-  Shortage Management
-  Alternative Solution
-  Excess Inventory Management