



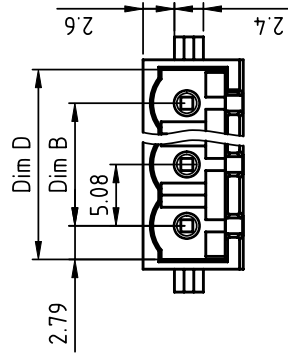
**THE DATASHEET OF
KV14505000J0G**



PRODUCT NUMBER	PITCH
KVxx50x000J0G	5.08 mm

PART NO.: KV xx 50 x 0 00J0 G

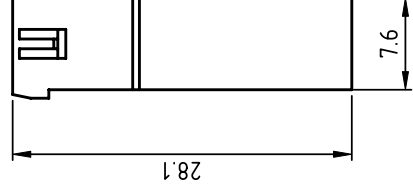
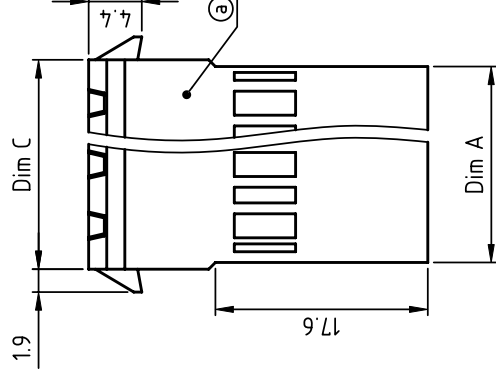
N = Number of poles
 Dim A = $N \times 5.08 + 1.0$
 Dim B = $(N - 1) \times 5.08$
 Dim C = $N \times 5.08 + 2.1$
 Dim D = $(N - 1) \times 5.08 + 5.58$



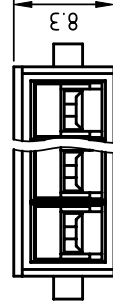
- | | | | |
|--------------|---|--------------------|-----------|
| Solid block | 0 | Black (RAL9005) | Color |
| No. of poles | 2 | Red (RAL3001/D) | In copper |
| 02 | 3 | Orange (RAL2011/P) | |
| 03 | 4 | Yellow (RAL1018/A) | |
| ... | 5 | Green (RAL6018/T) | |
| 24 | 6 | Blue (RAL5015/A) | |
| | 8 | Grey (RAL7035/D) | |
| | 9 | White (RAL1102) | |
| | C | Green (RAL6018/U) | |

RoHS c
(lead<4

Poles	Dim A	Dim B	Dim C	Dim D
2-6p	± 0.10	± 0.15	± 0.15	± 0.15
7-12p	± 0.20	± 0.20	± 0.20	± 0.20
13-16p	± 0.30	± 0.25	± 0.25	± 0.25
17-24p	± 0.40	± 0.35	± 0.35	± 0.35



- Material:
- Item@Terminal ho
 - Electrical
 - Voltage rating: 30
 - Current rating: 10A
 - Wire range: 1.5-2.5
 - Withstanding Volt
 - Corresponding fem





mat'l. code		surface	tolerances unless oth
ltr	ecn no	ASME Y14.5	>
dr	date		X
		angles	X
		X*±1°	X.
		dr	EVIN ZHON
		engr	EVIN ZHON
		chr	HANKE FEI
		appd	SHI JUN
sheet	revision	A	
index	sheet	1	

form: A4mmXc

Looking for pricing, stock, or lifecycle information?

Click below to explore more details on WIN SOURCE:

-  [View KV14505000J0G on WIN SOURCE](#)
-  [Amphenol FCI Information](#)

Optimize Your Supply Chain with WIN SOURCE Solutions

-  Global Sourcing Solution
-  Obsolete Management
-  Cost Control Management
-  Shortage Management
-  Alternative Solution
-  Excess Inventory Management