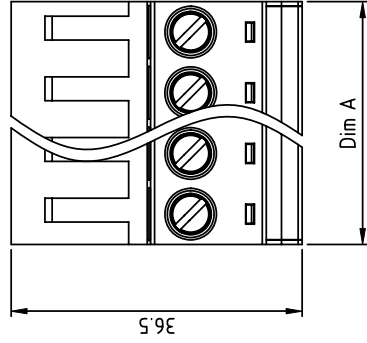
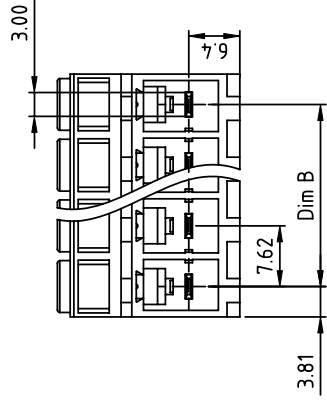




**THE DATASHEET OF
KT08015000J0G**



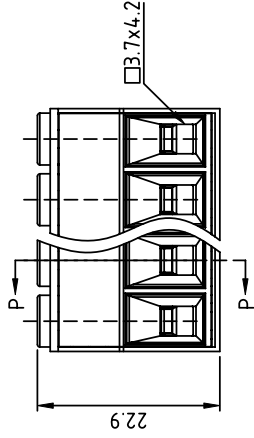
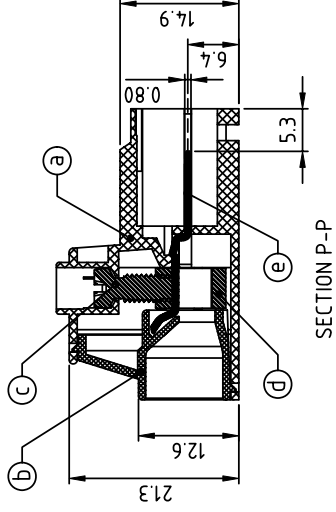
PRODUCT NUMBER	PITCH
KTxx01x00J0G	7.62 mm



Material:

- Item (a) Terminal (horizontal)
- Item (b) Terminal (vertical)
- Item (c) Terminal (solid)
- Item (d) Clamp : Bra
- Item (e) Female contact

- Electrical classification
- Voltage rating: 60V
- Current rating: 4A
- Solid wire (AWG): 28
- Stranded wire (AWG): 28
- Torque: 9.0 Lb-In
- Screw: M3.5
- Wire strip length: 10.0
- Withstanding Voltage
- Operating temperature: -40 to 105°C
- Safety Approval: CE, UL, VDE, etc.



PART NO.: KT xx 01 x 0 00J0 G



N=Number of poles	
Dim A	Nx7.62
Dim B	(N-1)x7.62
Dimension	
Poles	Tolerance
2P-5P	±0.20
6P-10P	±0.30
11P-16P	±0.40

Solid block	Color	RoHS compliant
02 2 poles	0 Black (RAL9005)	(lead<4% in copper Alloy)
03 3 poles	2 Red (RAL3001/D)	
...	3 Orange (RAL2011/P)	
16 16 poles	4 Yellow (RAL1018/A)	
	5 Green (RAL6018/T)	
	6 Blue (RAL5015/A)	
	8 Grey (RAL7035/D)	
	9 White (RAL1102)	
	C Green (RAL6018/U)	

mat'l. code	surface	tolerances unless otherwise specified
ltr	ecn no	dr date
	angles	
	X ^{±1°}	
	dr	EVIN ZHONG
	engr	EVIN ZHONG
	chr	HANKE FEI
	appd	SHI JUN
sheet index	revision	A
	sheet	1

Looking for pricing, stock, or lifecycle information?

Click below to explore more details on WIN SOURCE:

-  [View KT08015000J0G on WIN SOURCE](#)
-  [Amphenol FCI Information](#)

Optimize Your Supply Chain with WIN SOURCE Solutions

-  Global Sourcing Solution
-  Obsolete Management
-  Cost Control Management
-  Shortage Management
-  Alternative Solution
-  Excess Inventory Management