

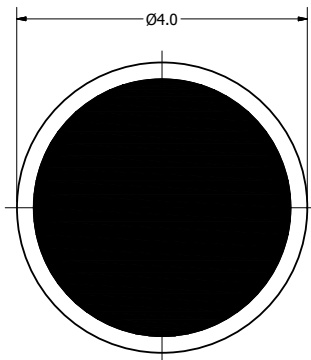


**THE DATASHEET OF
MT41K512M16VRP-107IT:P**

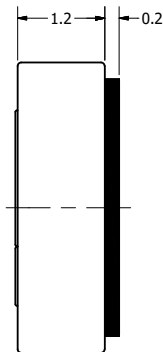


| | | |
|---|--------------------------------------|-----------|
| Part Number: | MO044402-8 | |
| DRAWN | CJ | 3/19/2018 |
| CHECKED | C.H. | 3/19/2018 |
| Description: | Electret Condenser Microphone | |
| APPROVED | C.E. | 3/19/2018 |
| <small>This document contains data proprietary to DB Unlimited. Any use or reproduction, in any form, without prior written permission of DB Unlimited is prohibited. All terms and conditions can be found at www.dbunlimitedco.com</small> | | |

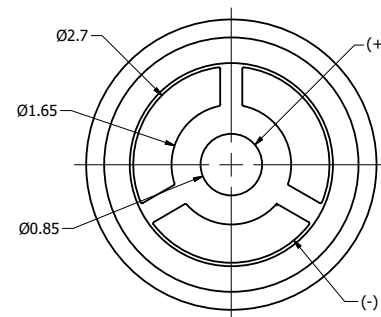
Top View



Side View



Bottom View



| Items | Specifications | Conditions |
|-----------------------|--------------------|------------|
| Directivity | Omnidirectional | |
| Sensitivity | -44 ± 3 | dB |
| Frequency Range | 40 ~ 20,000 | Hz |
| Rated Voltage | 2 | V |
| Voltage Range | 1 ~ 10 | V |
| Output Impedance | 2,200 | Ω |
| Max. Rated Current | 0.35 | mA |
| Storage Temperature | -40 ~ +85 | °C |
| Operating Temperature | -40 ~ +85 | °C |
| Signal to Noise Ratio | 60 | dB |
| Mount Type | Surface Mount | |
| Connection Method | Surface Mount Pads | |

REVISION HISTORY



| REV | DESCRIPTION | DATE | APPROVED |
|-----|---------------------------------|------------|----------|
| | Released from Engineering | 10/21/2013 | J.S. |
| 1 | Updated to new drawing template | 3/19/2018 | C.E. |

NOTES

- 1) All dimensions are in mm unless otherwise noted
- 2) All tolerances are ± 0.1 mm unless otherwise noted
- 3) All parts meet RoHS
- 4) Subject to change or redrawn without notice

Looking for pricing, stock, or lifecycle information?

Click below to explore more details on WIN SOURCE:

-  [View MT41K512M16VRP-107IT:P on WIN SOURCE](#)
-  [Micron Technology Inc. Information](#)

Optimize Your Supply Chain with WIN SOURCE Solutions

-  Global Sourcing Solution
-  Obsolete Management
-  Cost Control Management
-  Shortage Management
-  Alternative Solution
-  Excess Inventory Management