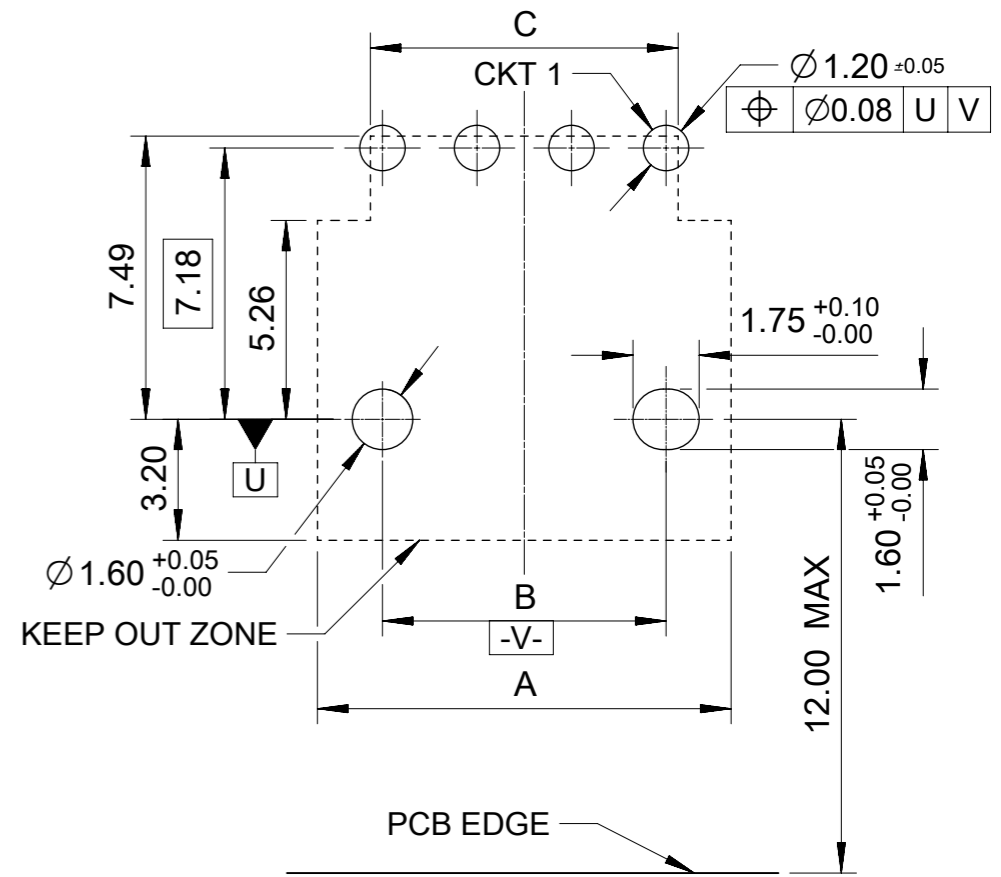
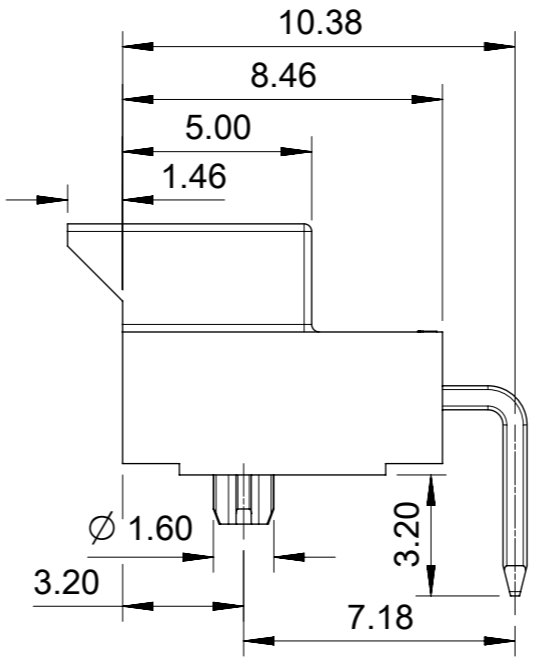
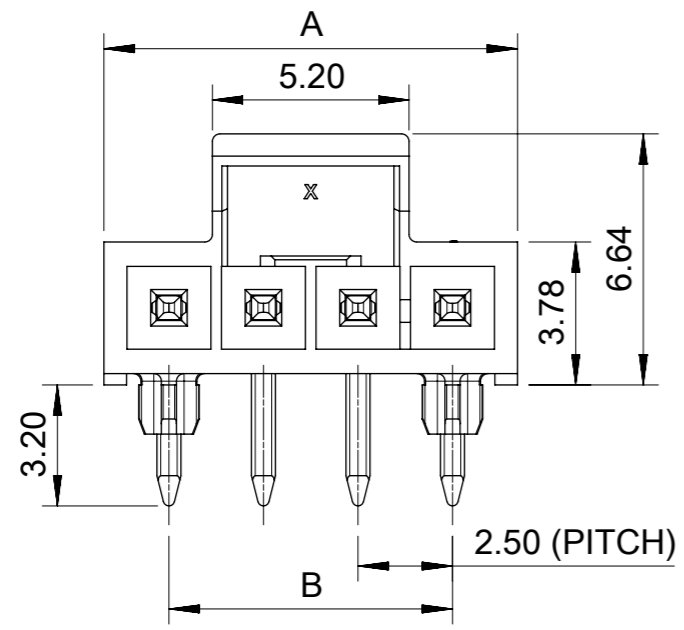


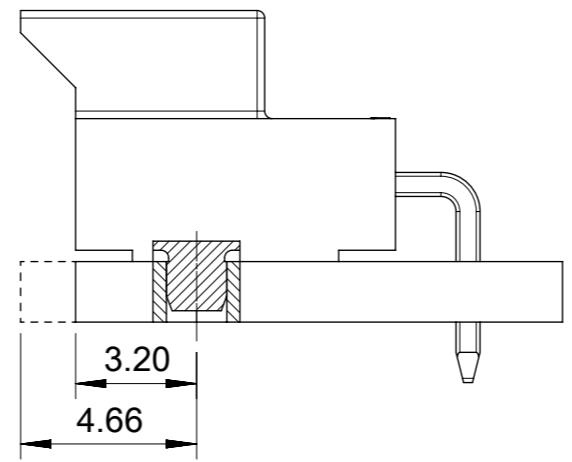
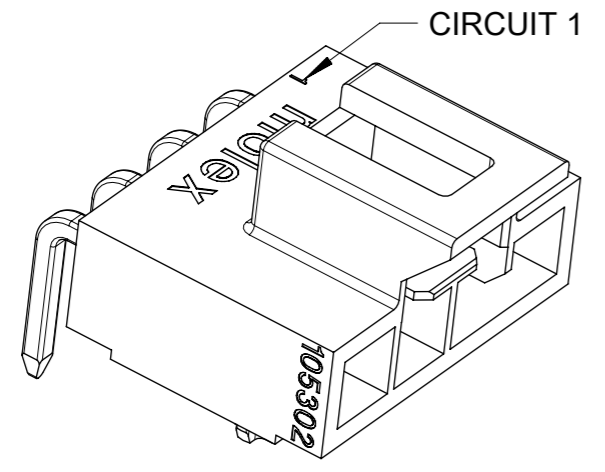


THE DATASHEET OF
105313-1102





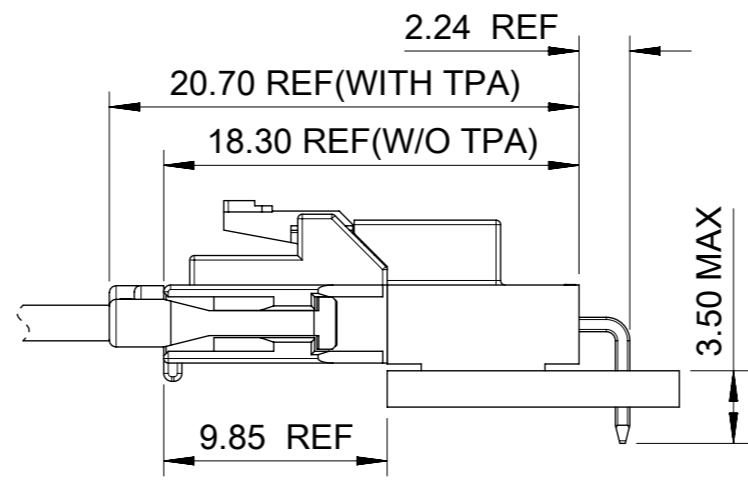
RECOMMENDED PCB(CONNECTOR SIDE VIEW)
THICKNESS=1.6 TO 2.4 MM.



OPTION 1: LATCH FLUSH WITH PCB EDGE.
OPTION 2: HOUSING BODY FLUSH WITH PCB EDGE.

| | | | | | | | |
|---------|---|-------|---------------------------|--|--|--|--|
| SYMBOLS | THIS DRAWING CONTAINS INFORMATION THAT IS PROPRIETARY TO MOLEX ELECTRONIC TECHNOLOGIES, LLC AND SHOULD NOT BE USED WITHOUT WRITTEN PERMISSION | | CURRENT REV DESC: | | molex | | |
| | DIMENSION UNITS | SCALE | | | | | |
| ▽ = 0 | mm | NTS | EC NO: 648137 | | HEADER OF NANO-FIT, S/R, R/A POWER CONNECTOR | | |
| ▽ = 0 | GENERAL TOLERANCES (UNLESS SPECIFIED) | | DRWN: GLLI 2020/11/02 | | PRODUCT CUSTOMER DRAWING | | |
| ▽ = 0 | ANGULAR TOL ± 3.0° | | CHK'D: YXZHENG 2020/11/09 | | DOCUMENT NUMBER | | |
| ▽ = 0 | 4 PLACES ± | | APPR: YXZHENG 2020/11/09 | | SD-105313-100 | | |
| ▽ = 0 | 3 PLACES ± 0.1 | | INITIAL REVISION: | | DOC TYPE | | |
| ▽ = 0 | 2 PLACES ± 0.2 | | DRWN: GLLI 2015/05/29 | | PSD | | |
| ▽ = 0 | 1 PLACE ± 0.3 | | APPR: AYIN 2016/04/27 | | DOC PART | | |
| ▽ = 0 | 0 PLACES ± | | THIRD ANGLE PROJECTION | | 000 | | |
| ▽ = 0 | DRAFT WHERE APPLICABLE MUST REMAIN WITHIN DIMENSIONS | | DRAWING | | REVISION | | |
| ▽ = 0 | | | A3-SIZE | | J | | |
| | | | SERIES | | SHEET NUMBER | | |
| | | | 105313 | | 1 OF 5 | | |
| | | | MATERIAL NUMBER | | CUSTOMER | | |
| | | | GENERAL MARKET | | | | |

| 10 | 9 | 8 | 7 | 6 | 5 | 4 | 3 | 2 | 1 |
|--------------|---------|---------|---------|----------|-----------|------|---|---|---|
| PART NUMBER | DIM 'A' | DIM 'B' | DIM 'C' | CKT SIZE | PLATING | LUBE | | | |
| 105313-1102 | 5.94 | 2.50 | 3.14 | 2 | TIN | | | | |
| 105313-1103 | 8.44 | 5.00 | 5.64 | 3 | | | | | |
| 105313-1104 | 10.94 | 7.50 | 8.14 | 4 | | | | | |
| 105313-1105 | 13.44 | 10.00 | 10.64 | 5 | | | | | |
| 105313-1106 | 15.94 | 12.50 | 13.14 | 6 | | | | | |
| 105313-1107 | 18.44 | 15.00 | 15.64 | 7 | | | | | |
| 105313-1108 | 20.94 | 17.50 | 18.14 | 8 | | | | | |
| 105313-1202 | 5.94 | 2.50 | 3.14 | 2 | GOLD 0.38 | NO | | | |
| 105313-1203 | 8.44 | 5.00 | 5.64 | 3 | | | | | |
| 105313-1204 | 10.94 | 7.50 | 8.14 | 4 | | | | | |
| 105313-1205 | 13.44 | 10.00 | 10.64 | 5 | | | | | |
| 105313-1206 | 15.94 | 12.50 | 13.14 | 6 | | | | | |
| 105313-1207 | 18.44 | 15.00 | 15.64 | 7 | | | | | |
| 105313-1208 | 20.94 | 17.50 | 18.14 | 8 | | | | | |
| 105313-1302 | 5.94 | 2.50 | 3.14 | 2 | GOLD 0.76 | | | | |
| 105313-1303 | 8.44 | 5.00 | 5.64 | 3 | | | | | |
| 105313-1304 | 10.94 | 7.50 | 8.14 | 4 | | | | | |
| 105313-1305 | 13.44 | 10.00 | 10.64 | 5 | | | | | |
| 105313-1306 | 15.94 | 12.50 | 13.14 | 6 | | | | | |
| 105313-1307 | 18.44 | 15.00 | 15.64 | 7 | | | | | |
| 105313-1308 | 20.94 | 17.50 | 18.14 | 8 | | | | | |
| 105313-1402 | 5.94 | 2.50 | 3.14 | 2 | GOLD 0.76 | YES | | | |
| 105313-1403 | 8.44 | 5.00 | 5.64 | 3 | | | | | |
| 105313-1404 | 10.94 | 7.50 | 8.14 | 4 | | | | | |
| 105313-1405 | 13.44 | 10.00 | 10.64 | 5 | | | | | |
| 105313-1406 | 15.94 | 12.50 | 13.14 | 6 | | | | | |
| 105313-1407 | 18.44 | 15.00 | 15.64 | 7 | | | | | |
| 105313-1408 | 20.94 | 17.50 | 18.14 | 8 | | | | | |
| COLOR: BLACK | | | | | | | | | |

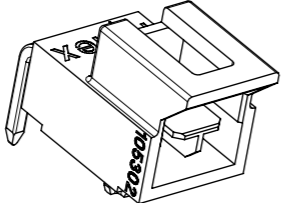
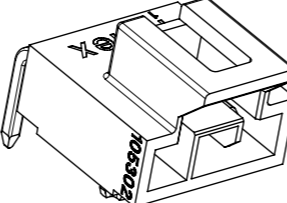
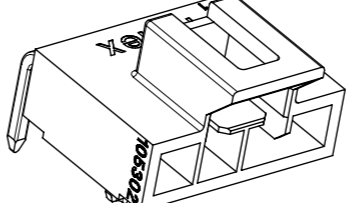
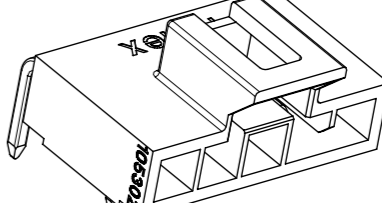
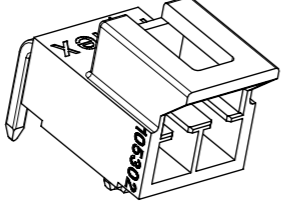
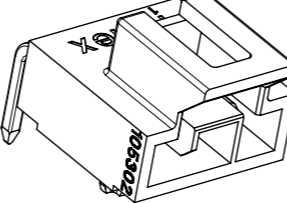
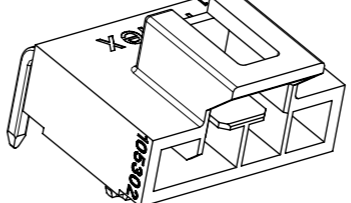
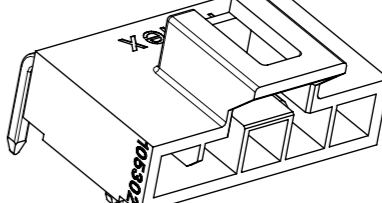
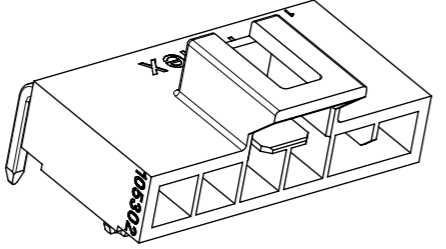
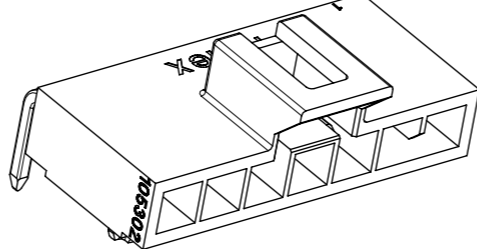
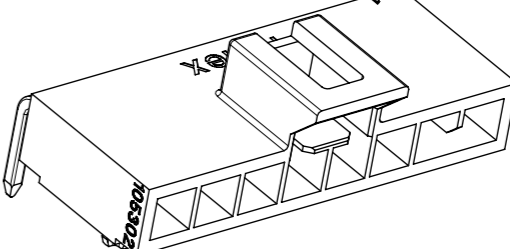
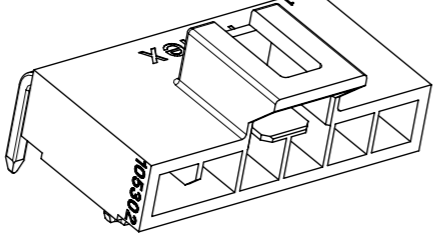
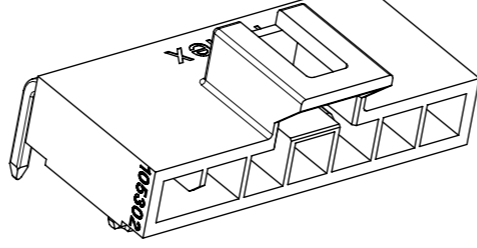
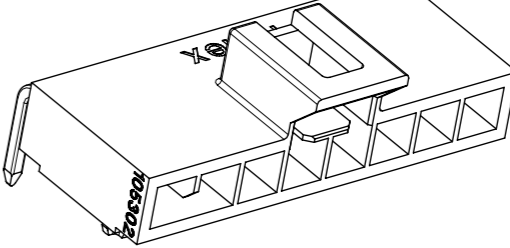


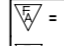
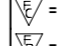
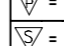
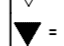
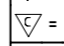
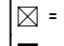



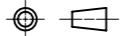
105313- * * * *

- CIRCUIT SIZE
- PLATING OPTION
 - 1 - TIN
 - 2 - GOLD 0.38
 - 3 - GOLD 0.76
 - 4 - GOLD AND LUBE
- COLOR OPTION
 - 1 - BLACK
 - 2 - NATURAL

| 10 | 9 | 8 | 7 | 6 | 5 | 4 | 3 | 2 | 1 |
|----------------|---------|---------|---------|----------|-----------|------|---|---|---|
| PART NUMBER | DIM 'A' | DIM 'B' | DIM 'C' | CKT SIZE | PLATING | LUBE | | | |
| 105313-2102 | 5.94 | 2.50 | 3.14 | 2 | TIN | | | | |
| 105313-2103 | 8.44 | 5.00 | 5.64 | 3 | | | | | |
| 105313-2104 | 10.94 | 7.50 | 8.14 | 4 | | | | | |
| 105313-2105 | 13.44 | 10.00 | 10.64 | 5 | | | | | |
| 105313-2106 | 15.94 | 12.50 | 13.14 | 6 | | | | | |
| 105313-2107 | 18.44 | 15.00 | 15.64 | 7 | | | | | |
| 105313-2108 | 20.94 | 17.50 | 18.14 | 8 | | | | | |
| 105313-2202 | 5.94 | 2.50 | 3.14 | 2 | GOLD 0.38 | NO | | | |
| 105313-2203 | 8.44 | 5.00 | 5.64 | 3 | | | | | |
| 105313-2204 | 10.94 | 7.50 | 8.14 | 4 | | | | | |
| 105313-2205 | 13.44 | 10.00 | 10.64 | 5 | | | | | |
| 105313-2206 | 15.94 | 12.50 | 13.14 | 6 | | | | | |
| 105313-2207 | 18.44 | 15.00 | 15.64 | 7 | | | | | |
| 105313-2208 | 20.94 | 17.50 | 18.14 | 8 | | | | | |
| 105313-2302 | 5.94 | 2.50 | 3.14 | 2 | GOLD 0.76 | | | | |
| 105313-2303 | 8.44 | 5.00 | 5.64 | 3 | | | | | |
| 105313-2304 | 10.94 | 7.50 | 8.14 | 4 | | | | | |
| 105313-2305 | 13.44 | 10.00 | 10.64 | 5 | | | | | |
| 105313-2306 | 15.94 | 12.50 | 13.14 | 6 | | | | | |
| 105313-2307 | 18.44 | 15.00 | 15.64 | 7 | | | | | |
| 105313-2308 | 20.94 | 17.50 | 18.14 | 8 | | | | | |
| 105313-2402 | 5.94 | 2.50 | 3.14 | 2 | GOLD 0.76 | YES | | | |
| 105313-2403 | 8.44 | 5.00 | 5.64 | 3 | | | | | |
| 105313-2404 | 10.94 | 7.50 | 8.14 | 4 | | | | | |
| 105313-2405 | 13.44 | 10.00 | 10.64 | 5 | | | | | |
| 105313-2406 | 15.94 | 12.50 | 13.14 | 6 | | | | | |
| 105313-2407 | 18.44 | 15.00 | 15.64 | 7 | | | | | |
| 105313-2408 | 20.94 | 17.50 | 18.14 | 8 | | | | | |
| COLOR: NATURAL | | | | | | | | | |

| | | | | |
|---|---|--|---|---|
| SYMBOLS = 0 = 0 = 0 = 0 = 0 = 0 = 0 = 0 = 0 | THIS DRAWING CONTAINS INFORMATION THAT IS PROPRIETARY TO MOLEX ELECTRONIC TECHNOLOGIES, LLC AND SHOULD NOT BE USED WITHOUT WRITTEN PERMISSION DIMENSION UNITS: mm SCALE: NTS | CURRENT REV DESC: EC NO: 648137 DRWN: GLLI 2020/11/02 CHK'D: YXZHENG 2020/11/09 APPR: YXZHENG 2020/11/09 | HEADER OF NANO-FIT, S/R, R/A POWER CONNECTOR | |
| | GENERAL TOLERANCES (UNLESS SPECIFIED) ANGULAR TOL ± 3.0° 4 PLACES ± 3 PLACES ± 0.1 2 PLACES ± 0.2 1 PLACE ± 0.3 0 PLACES ± | INITIAL REVISION: DRWN: GLLI 2015/05/29 APPR: AYIN 2016/04/27 | | PRODUCT CUSTOMER DRAWING DOCUMENT NUMBER: SD-105313-100 DOC TYPE: PSD DOC PART: 000 REVISION: J |
| | DRAFT WHERE APPLICABLE MUST REMAIN WITHIN DIMENSIONS THIRD ANGLE PROJECTION DRAWING: A3-SIZE SERIES: 105313 MATERIAL NUMBER: CUSTOMER: GENERAL MARKET SHEET NUMBER: 3 OF 5 | | | |

| | | | | | |
|---|---------|--|---|---|---|
| | | 2 CKT | 3 CKT | 4 CKT | 5 CKT |
| F | BLACK |  |  |  |  |
| E | NATURAL |  |  |  |  |
| | | 6 CKT | 7 CKT | 8 CKT | |
| D | BLACK |  |  |  | |
| C | NATURAL |  |  |  | |

| | | | |
|--|--|---|---|
| SYMBOLS  = 0  = 0  = 0  = 0  = 0  = 0  = 0  = 0 | THIS DRAWING CONTAINS INFORMATION THAT IS PROPRIETARY TO MOLEX ELECTRONIC TECHNOLOGIES, LLC AND SHOULD NOT BE USED WITHOUT WRITTEN PERMISSION DIMENSION UNITS: mm SCALE: NTS GENERAL TOLERANCES (UNLESS SPECIFIED) ANGULAR TOL ± 3.0° 4 PLACES ± 3 PLACES ± 0.1 2 PLACES ± 0.2 1 PLACE ± 0.3 0 PLACES ± DRAFT WHERE APPLICABLE MUST REMAIN WITHIN DIMENSIONS | CURRENT REV DESC: EC NO: 648137 DRWN: GLLI 2020/11/02 CHK'D: YXZHENG 2020/11/09 APPR: YXZHENG 2020/11/09 INITIAL REVISION: DRWN: GLLI 2015/05/29 APPR: AYIN 2016/04/27 |  HEADER OF NANO-FIT, S/R, R/A POWER CONNECTOR PRODUCT CUSTOMER DRAWING |
| | THIRD ANGLE PROJECTION  | DRAWING: A3-SIZE SERIES: 105313 | |
| | | MATERIAL NUMBER: 105313 CUSTOMER: GENERAL MARKET | SHEET NUMBER: 4 OF 5 |

NOTES FOR ALL PARTS

1> MATERIAL:
HOUSING: LCP, UL 94V-0; TERMINAL: BRASS.

2> PLATING FINISHED:
TERMINAL:
CONTACT AREA: a. REFLOWED MATTE TIN 1.5MICRONS MIN;
b. GOLD 0.38 MICRONS MIN;
c. GOLD 0.76 MICRONS MIN.

SOLDER AREA: TIN 1.5 MICRONS MIN, UNDER PLATING NICKEL 1.25 MICRONS MIN.

SOLDER CLIP: TIN 2.5 MICRONS MIN, UNDER PLATING NICKEL 1.25 MICRONS MIN.

3> PRODUCT SPECIFICATION: PS-105300-100.

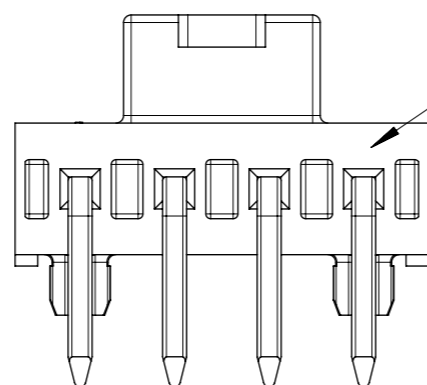
4> PACKAGE: TRAY, PK-105309-400.

5> ALL COMPONENTS AND PRODUCT COMPLIANT TO RoHS DIRECTIVE 2011/65/EU AND ELV DIRECTIVE 2000/53/EC.

6> PRODUCT MATE WITH SERIES OF 105307(RECEPTACLE), 105300(CRIMP TERMINAL).

7> PARTS CONFORM TO CLASS 'B'REQUIREMENTS OF COSMETIC SPECIFICATION PS-45499-002.

8> DISCOLORATION IN THE BANDOLIER PIN CARRIER AREA OF THE PIN IS INHERENT TO THE PLATING PROCESS AND IS DUE TO THE MASKING DEFECT OF THE CARRIER, THIS DISCOLORATION IS IN A NON-FUNCTION AREA OF THE PIN AND WILL NOT AFFECT THE PERFORMANCE OF THE HEADER ASSEMBLY.



IF ANY NUMBER MARK APPEARS ON THIS SURFACE, PLEASE DISREGARD IT, IT IS NO ANY FUCTION AND NO ANY RELATION TO PIN NUMBER, IT IS JUST FOR MOLDING IDENTIFICATION.

| | | | | | | | | |
|---------|---|-------|---------------------------------------|---------|--------|----------------------------|--|--|
| SYMBOLS | THIS DRAWING CONTAINS INFORMATION THAT IS PROPRIETARY TO MOLEX ELECTRONIC TECHNOLOGIES, LLC AND SHOULD NOT BE USED WITHOUT WRITTEN PERMISSION | | CURRENT REV DESC: | | | molex | | |
| | DIMENSION UNITS | SCALE | | | | | | |
| ▽ = 0 | mm | NTS | GENERAL TOLERANCES (UNLESS SPECIFIED) | | | PRODUCT CUSTOMER DRAWING | | |
| ▽ = 0 | ANGULAR TOL ± 3.0° | | DRWN: GLLI 2020/11/09 | | | DOCUMENT NUMBER | | |
| ▽ = 0 | 4 PLACES ± | | CHK'D: YXZHENG 2020/11/09 | | | DOC TYPE DOC PART REVISION | | |
| ▽ = 0 | 3 PLACES ± 0.1 | | APPR: YXZHENG 2020/11/09 | | | SD-105313-100 PSD 000 J | | |
| ▽ = 0 | 2 PLACES ± 0.2 | | INITIAL REVISION: | | | MATERIAL NUMBER | | |
| ▽ = 0 | 1 PLACE ± 0.3 | | DRWN: GLLI 2015/05/29 | | | CUSTOMER | | |
| ▽ = 0 | 0 PLACES ± | | APPR: AYIN 2016/04/27 | | | GENERAL MARKET | | |
| □ = 0 | DRAFT WHERE APPLICABLE MUST REMAIN WITHIN DIMENSIONS | | THIRD ANGLE PROJECTION | DRAWING | SERIES | SHEET NUMBER | | |
| ▽ = 0 | | | | A3-SIZE | 105313 | 5 OF 5 | | |

Looking for pricing, stock, or lifecycle information?

Click below to explore more details on WIN SOURCE:

 [View 105313-1102 on WIN SOURCE](#)

 [Molex, LLC Information](#)

Optimize Your Supply Chain with WIN SOURCE Solutions

-  Global Sourcing Solution
-  Obsolete Management
-  Cost Control Management
-  Shortage Management
-  Alternative Solution
-  Excess Inventory Management