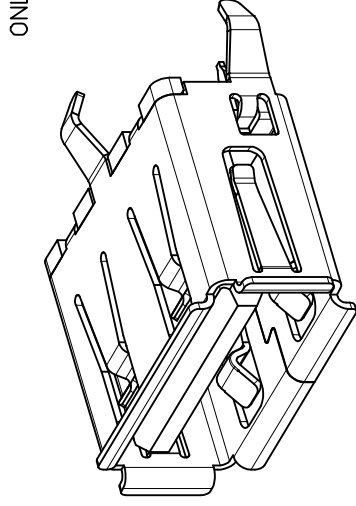
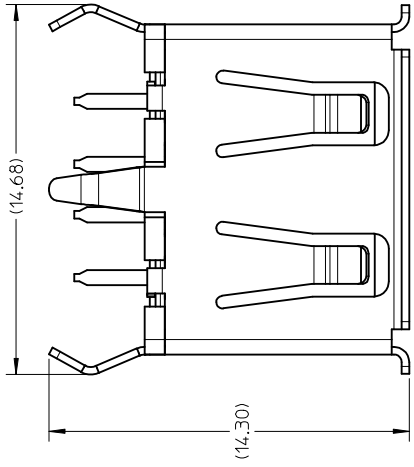




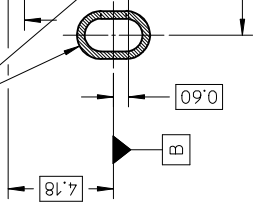
**THE DATASHEET OF
100B180GT500XT**



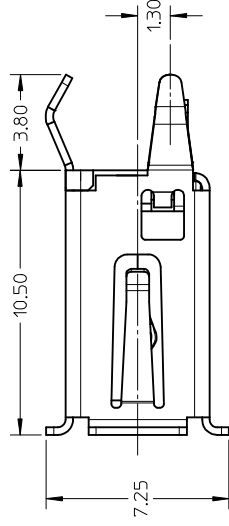
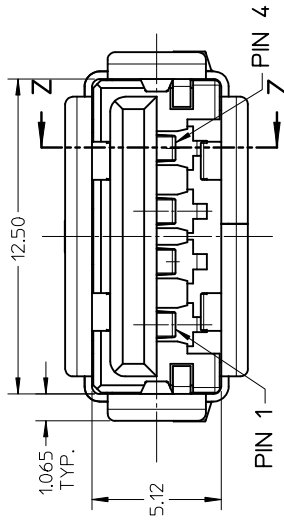
10 9 8 7 6 5 4 3



ONLY REQUESTED ANNULAR RING
ON THE REVERSE SIDE

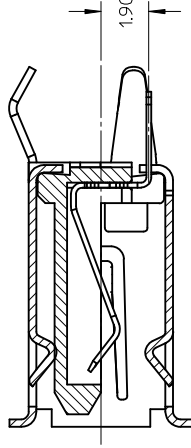
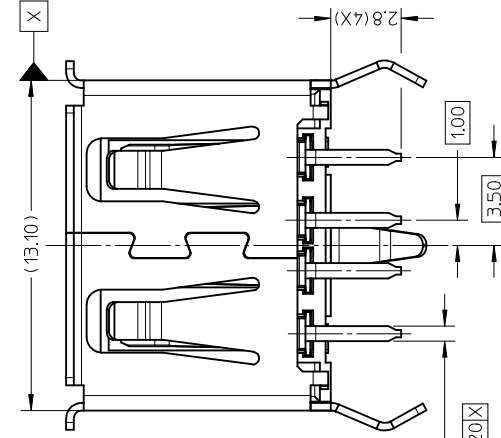


COM
PWE
(DEFA



NOTE :

1. MATERIAL :
HOUSING : THERMOPLASTIC
TERMINAL : COPPER ALLOY
SHELL : STAINLESS STEEL
2. PLATING :
TERMINAL : NICKEL
CONTACT AREA : GOLD
SOLDERING AREA : TYPICAL
UNDERPLATING : NICKEL
3. PRODUCT CHARACTERISTICS :
OVERALL SOLDERING TOLERANCE : 0.25
4. PACKAGE INFORMATION :
5. THE PART COMPLIANT WITH MIL-STD-883C AND ELV 2000/53/EC.



SECTION Z-Z

EC NO: SH2009-0472 NEW RELEASE DRW:RZHANG 2009/01/20 CHKD: 2009/01/21 APPR:HWMANG 2009/02/25 REV DESCRIPTION	QUALITY SYMBOLS =0 =0	GENERAL TOLERANCES (UNLESS SPECIFIED) 4 PLACES ± 0.25 3 PLACES ± 0.25 2 PLACES ± 0.25 1 PLACE ± 0.25 ANGULAR ± 3°	DIMENSION STYLE MM ONLY	SCALE 5	
	DRAFT WHERE APPLICABLE MUST REMAIN WITHIN DIMENSIONS	MATERIAL NO. 1050570001	DRAWN BY DAVID HU	DATE 2008/06/05	TITLE
	CHECKED BY ROST ZHANG	DATE 2008/06/05	APPROVED BY HARVEY	DATE 2008/06/05	DOCUMENT NO. 1050570001
	SIZE A3	THIS DRAWING CONTAINS INFORMATION INCORPORATED AND SHOULD BE USED IN CONJUNCTION WITH THE DRAWING ITSELF	DIMENSION STYLE MM ONLY	DRAWN BY DAVID HU	DATE 2008/06/05
	CHECKED BY ROST ZHANG	DATE 2008/06/05	APPROVED BY HARVEY	DATE 2008/06/05	TITLE

10 9 8 7 6 5 4 3

Looking for pricing, stock, or lifecycle information?

Click below to explore more details on WIN SOURCE:

 [View 100B180GT500XT on WIN SOURCE](#)

 [AVX Corporation](#) Information

Optimize Your Supply Chain with WIN SOURCE Solutions

-  Global Sourcing Solution
-  Obsolete Management
-  Cost Control Management
-  Shortage Management
-  Alternative Solution
-  Excess Inventory Management