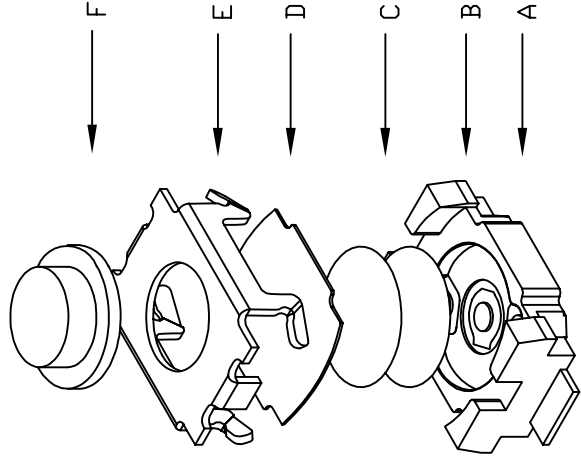
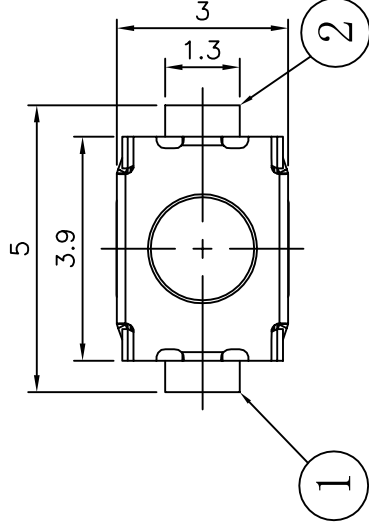
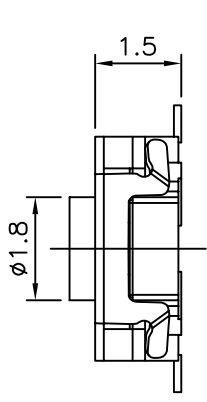


TSA010****



主要技术参数、性能
The Main Thnology Performance

额定电流、电压 Rate voltage. current	50mA DC12V
接触电阻 Contact resistance	≤100mΩ
按力 Operating force	±50gf
行程 Travel	0.20±0.10mm
绝缘电阻 Insulated resistance	≥100MΩ
介电强度 Dielectric strength	≥250VAC/1min



T S A 0 1 0

寿命:
A: ≥30000次
B: ≥100000次
C: ≥200000次

高度H:
18:1.8H
20:2.0H
25:2.5H

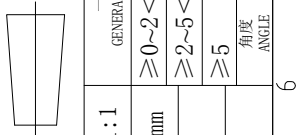
力度:
18:180g
26:260g

包装方式:
A:散件
B:冷封编带
C:热封编带

F	封	DESC
E	防	
D	防	
C	防	
B	防	
A	防	
项目	ITEM	DESC

第一视角
FIRST VIEW

标记 SIGN	次数 FREQUENCY	更改文件号 REVISION	签名 APPROVED	日期 DATE	比例 SCALE	— GENERAL
设计 DESIGN		朱元隆	2021.06.01	2021.06.01	1:1	≥0~2<
审核 CHECKED		赵晓峰	2021.06.01	2021.06.01	mm	≥2~5<
批准 APPROVED		陈乐峰	2021.06.01	2021.06.01	单位 UNIT	≥5
					重量 WEIGHT	角度 ANGLE



6

5

4

3

2

1

3

2

1

6

Looking for pricing, stock, or lifecycle information?

Click below to explore more details on WIN SOURCE:

- [View TSA010A2026B on WIN SOURCE](#)
- [Zhejiang Bozhong Electric Co., Ltd. Information](#)

Optimize Your Supply Chain with WIN SOURCE Solutions

- ✓ Global Sourcing Solution
- ✓ Obsolete Management
- ✓ Cost Control Management
- ✓ Shortage Management
- ✓ Alternative Solution
- ✓ Excess Inventory Management