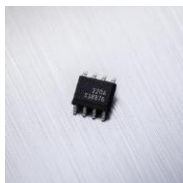


# MLX91220 Integrated Current Sensor IC

## Datasheet

### 1. Features and Benefits

- Factory trimmed AC and DC current sensor
- Analog ratiometric or fixed output voltage
- Combining sensing element, signal conditioning & isolation in SOIC package
- No application programming required
- High speed sensing
  - DC to 300kHz bandwidth
  - 2 $\mu$ s response time
- Robust against external magnetic fields
- No magnetic hysteresis
- Double overcurrent detection (SOIC-16)
- Low ohmic losses of integrated conductor
  - 1.09m $\Omega$  SOIC-8 / 0.89m $\Omega$  SOIC-16
- SOIC-8 narrow body and SOIC-16 wide body package, RoHS compliant
- Lead free component, suitable for lead free soldering profile up to 260°C, MSL3
- Rated voltage isolation
  - 3550 V<sub>RMS</sub> for SOIC-8
  - 5400 V<sub>RMS</sub> for SOIC-16
- Suitable for Basic and Reinforced voltage isolation



SOIC-8



IEC/UL 62368-1:2014  
(2<sup>nd</sup> edition)



SOIC-16



### 2. Applications

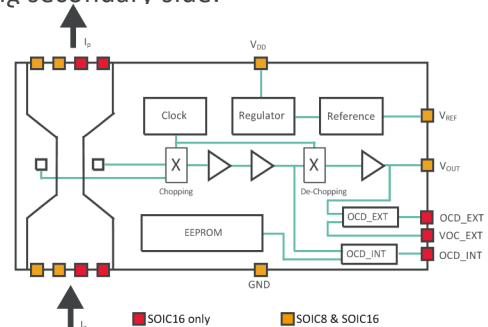
- AC and DC Chargers
- Electric Drives
- DCDC converters
- Solar
- Power Supplies
- Demand/Load control

### 3. Description

The MLX91220 is an Isolated Integrated Current Sensor that senses the current flowing through the low impedance leadframe of the SOIC package. By virtue of fixing the current conductor position with respect to the monolithic CMOS sensor, a fully integrated Hall-effect current sensor is obtained, that is factory calibrated.

Inside the package, the magnetic flux density generated by the current flow is sensed differentially by two sets of Hall plates. As a result the influence of external disturbing fields is minimized in the fast analog front-end. The residual signal is amplified to provide a high-speed linear analog output voltage.

The close proximity of the Hall plates to the current conductor ensures a high signal-to-noise ratio and an accurate signal over temperature. Even with this miniaturization, high voltage isolation ratings are still maintained between the primary and the opposing secondary side.



## Contents

|  |    |
|--|----|
| 1. Features and Benefits .....                       | 1  |
| 2. Applications .....                                | 1  |
| 3. Description .....                                 | 1  |
| 4. Ordering Information .....                        | 4  |
| 5. Functional Diagram .....                          | 6  |
| 5.1. Ratiometric Mode .....                          | 6  |
| 5.2. Differential or Fixed Mode <sup>(1)</sup> ..... | 7  |
| 6. Glossary of Terms .....                           | 8  |
| 7. Pinout .....                                      | 9  |
| 8. Absolute Maximum Ratings .....                    | 10 |
| 9. MLX91220 General Electrical Specifications .....  | 11 |
| 10. MLX91220 General Current Specifications .....    | 12 |
| 11. MLX91220 Voltage Isolation Specifications .....  | 13 |
| 12. MLX91220 Timing Specifications .....             | 14 |
| 13. Diagnostics .....                                | 15 |
| 14. MLX91220 Accuracy Specifications .....           | 15 |
| 14.1. Definitions .....                              | 15 |
| 14.2. MLX91220KDx-ABF-117 Specifications .....       | 17 |
| 14.3. MLX91220KDx-ABR-020 Specifications .....       | 18 |
| 14.4. MLX91220KDx-ABR-025 Specifications .....       | 19 |
| 14.5. MLX91220KDx-ABF-025 Specifications .....       | 20 |
| 14.6. MLX91220KDx-ABR-030 Specifications .....       | 21 |
| 14.7. MLX91220KDx-ABR-050 Specifications .....       | 22 |
| 14.8. MLX91220KDx-ABF-050 Specifications .....       | 23 |
| 14.9. MLX91220KDx-AUF-050 Specifications .....       | 24 |
| 14.10. MLX91220KDx-ABR-075 Specifications .....      | 25 |
| 14.11. MLX91220KDx-ABF-075 Specifications .....      | 26 |
| 15. MLX91220 Overcurrent Detection .....             | 27 |
| 15.1. General .....                                  | 27 |
| 15.2. Electrical Specifications .....                | 28 |
| 15.3. Internal Overcurrent Detection Principle ..... | 28 |
| 15.4. External Overcurrent Detection Principle ..... | 29 |

|  |           |
|--|-----------|
| <b>16. Recommended Application Diagrams.....</b>   | <b>30</b> |
| 16.1. Resistor and Capacitor Values.....   | 30        |
| 16.2. SOIC8 Application Diagram .....  | 31        |
| 16.3. SOIC16 Application Diagram .....   | 31        |
| <b>17. Standard information regarding manufacturability with different soldering processes .....</b> | <b>33</b> |
| <b>18. ESD Precautions.....</b>  | <b>34</b> |
| <b>19. Package Information.....</b>  | <b>34</b> |
| 19.1. SOIC-8 150mils - Package Dimensions.....   | 34        |
| 19.2. SOIC-16 300mils - Package Dimensions.....  | 35        |
| 19.3. Packaging marks .....  | 37        |
| <b>20. Contact.....</b>  | <b>37</b> |
| <b>21. Disclaimer.....</b>   | <b>38</b> |

## 4. Ordering Information

| Product Code           | Package | Current Measurement Range | Output type          | Sensitivity | OCD level |
|------------------------|---------|---------------------------|----------------------|-------------|-----------|
| MLX91220KDC-ABF-025-RE | SOIC8   | 25 A                      | Fixed, Bipolar       | 80 mV/A     |           |
| MLX91220KDC-ABF-050-RE | SOIC8   | 50 A                      | Fixed, Bipolar       | 40 mV/A     |           |
| MLX91220KDC-AUF-050-RE | SOIC8   | 50 A                      | Fixed, Unipolar      | 80 mV/A     |           |
| MLX91220KDC-ABR-020-RE | SOIC8   | 20 A                      | Ratiometric, Bipolar | 100 mV/A    |           |
| MLX91220KDC-ABR-025-RE | SOIC8   | 25 A                      | Ratiometric, Bipolar | 80 mV/A     |           |
| MLX91220KDC-ABR-030-RE | SOIC8   | 30 A                      | Ratiometric, Bipolar | 66 mV/A     |           |
| MLX91220KDC-ABR-050-RE | SOIC8   | 50 A                      | Ratiometric, Bipolar | 40 mV/A     |           |
| MLX91220KDF-ABF-117-RE | SOIC16  | 17 A                      | Fixed, Bipolar       | 120 mV/A    | 14.8 A    |
| MLX91220KDF-ABF-025-RE | SOIC16  | 25 A                      | Fixed, Bipolar       | 80 mV/A     | 27.8 A    |
| MLX91220KDF-ABF-050-RE | SOIC16  | 50 A                      | Fixed, Bipolar       | 40 mV/A     | 55.6 A    |
| MLX91220KDF-AUF-050-RE | SOIC16  | 50 A                      | Fixed, Unipolar      | 80 mV/A     | 55 A      |
| MLX91220KDF-ABF-075-RE | SOIC16  | 75 A                      | Fixed, Bipolar       | 26.7 mV/A   | 83.4 A    |
| MLX91220KDF-ABR-075-RE | SOIC16  | 75 A                      | Ratiometric, Bipolar | 26.7 mV/A   | 83.4 A    |
| MLX91220KDF-ABR-025-RE | SOIC16  | 25 A                      | Ratiometric, Bipolar | 80 mV/A     | 27.8 A    |
| MLX91220KDF-ABR-050-RE | SOIC16  | 50 A                      | Ratiometric, Bipolar | 40 mV/A     | 55.6 A    |

*Table 1: Ordering information*

## Legend:

|                   |   |
|-------------------|---|
| Temperature Code: | K: from -40°C to 125°C ambient temperature  |
| Package Code:     | “DC” for SOIC-8 NB (Narrow Body – 150mils) package<br>“DF” for SOIC-16 WB (Wide Body – 300mils) package   |
| Option Code:      | Axx-xxx: die version<br>xBx-xxx: “B” for bipolar <sup>(1)</sup> and “U” for unipolar<br>xxF-xxx: “F” for fixed mode output and “R” for ratiometric output<br>xxx-0xx: “0” for default trimming<br>xxx-x50: “50” for Full Scale current measurement (corresponding to 2V excursion from $V_{OQ}$ in bipolar case, and 4V excursion in unipolar case) |
| Packing Form:     | “RE” for Reel   |
| Ordering Example: | MLX91220KDC-ABF-050-RE  |

*Table 2: Legend*

- (1) Bipolar output indicates that the sensor provides a symmetrical output around the 0A point which is set at half the output voltage (50%  $V_{DD}$ ) in case of ratiometric mode, and  $V_{REF}$  equals 50% $V_{DD}$  in case of fixed mode. Both designs imply sensing of positive and negative currents.

Melexis is continuously expanding its product portfolio by adding new option codes to better meet the needs of our customer’s applications. This table is being updated frequently, please go to the [Melexis website](#) to download the latest version of this datasheet. For custom transfer characteristics, please contact your local Melexis Sales representative or distributor.

## 5. Functional Diagram

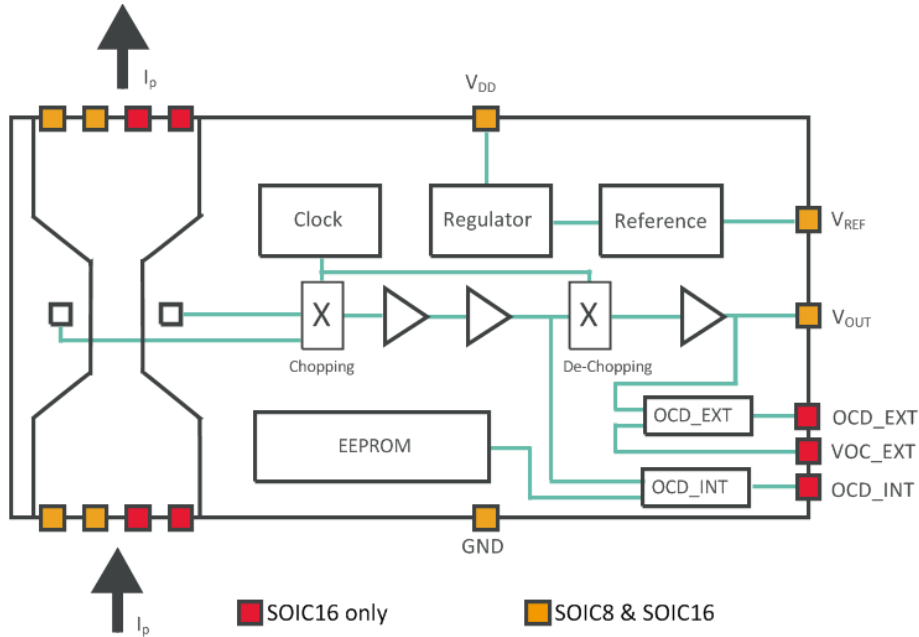


Figure 1: Functional Diagram for MLX91220

The sensor can be used in 2 different modes, depending on the application. Both modes rely on the output voltage of the sensor being proportional to the flow of current, but the difference resides in the signal reconstruction.

### 5.1. Ratiometric Mode

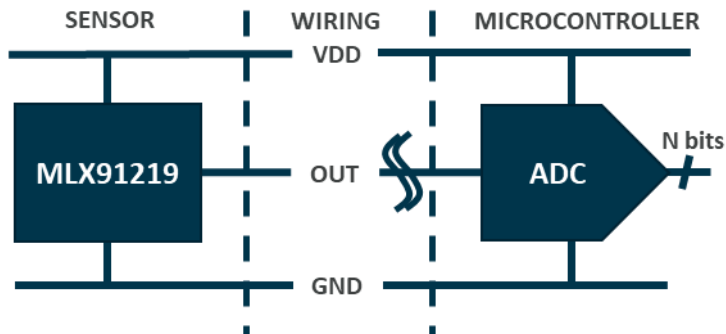


Figure 2: Schematic of ratiometric mode

No matter if the  $V_{DD}$  line is at 5V or deviating  $\pm 10\%$ , the ADC code for a given measured current will always be the same as the ADC is supplied by the same voltage as the sensor. The sensor has a sensitivity expressed in  $\%V_{DD}/A$ .

## 5.2. Differential or Fixed Mode<sup>(1)</sup>

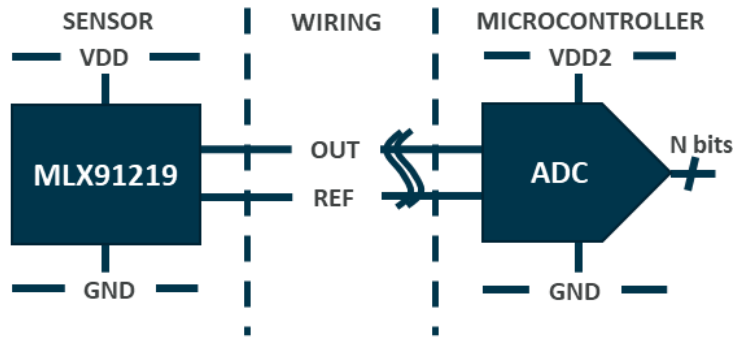


Figure 3: Schematic of fixed mode

In this particular case the ADC does not necessarily share the same supply voltage with the sensor. For this reason, the sensor is calibrated with an absolute sensitivity regardless of the actual supply voltage. The output signal can be reconstructed by taking the difference between the output and the reference voltage from the IC. The ADC gets these two signals as inputs for establishing the sensed current accurately, and is not influenced by the supply voltage differences between both sensor and microcontroller, if applicable.

| Parameter                      | Ratiometric Mode   | Differential or Fixed Mode  |
|--------------------------------|--|---|
| <b>Output Signal</b>           | $V_{OUT} [\%V_{DD}]$<br><br>Example: output is 2.5V when supply is 5V → output is then 50% $V_{DD}$ . If the supply ( $V_{DD}$ ) increases with 5% to 5.25V the sensor output will (for the same measured input current) scale <b>proportionally</b> with the supply voltage, becoming 2.625V, but as a percentage (i.e. ratiometrically seen) it remains at 50% of $V_{DD}$ . | $V_{OUT} - V_{REF} [V]$<br><br>Example: output is 2.501V and $V_{REF}$ is 2.501V when supply is 5V. When the supply voltage is increasing to 5.1V due to supply system variation, the sensor will still maintain the same “fixed” output values $V_{OUT}$ and $V_{REF}$ . |
| <b>Offset</b>                  | $V_{OUT}[0A] = 50 [\%V_{DD}]$ (factory trimmed)  | $V_{REF} = 2.5 [V]$ (factory trimmed)<br>$V_{OUT}[0A] - V_{REF} = 0 [V]$  |
| <b>Offset ratiometric</b>      | Yes  | No  |
| <b>Sensitivity</b>             | $[\%V_{DD}/A]^{(2)}$   | $[mV/A]$  |
| <b>Sensitivity ratiometric</b> | Yes  | No  |
| <b>Measured Current</b>        | $\frac{(V_{OUT} - V_{OUT}[0A])}{Sensitivity}$  | $\frac{(V_{OUT} - V_{REF})}{Sensitivity}$   |

Table 3: Parameters of differential and fixed modes

(1) More information can be found in Application Note AN91220\_ReferencePin on [www.melexis.com](http://www.melexis.com)

(2) The sensitivity in ratiometric mode is expressed as  $[\%V_{DD}/A]$ . However, for simplicity, in the datasheet the sensitivity will be always expressed in  $[mV/A]$ . For ratiometric devices, this corresponds to the sensitivity for  $V_{DD}=5V$ , depending on the settings of the sensor.

## 6. Glossary of Terms

|                      |   |
|----------------------|---|
| Gauss (G), Tesla (T) | Units for the magnetic flux density - 1 mT = 10 G |
| TC                   | Temperature Coefficient (in ppm/°C)               |
| NC                   | Not Connected                                     |
| IP                   | Integrated Primary                                |
| ASP                  | Analog Signal Processing                          |
| DSP                  | Digital Signal Processing                         |
| AC                   | Alternate Current                                 |
| DC                   | Direct Current                                    |
| EMC                  | Electro-Magnetic Compatibility                    |
| FS                   | Full Scale  |
| OCD                  | OverCurrent Detection                             |

*Table 4: Glossary of Terms*

## 7. Pinout

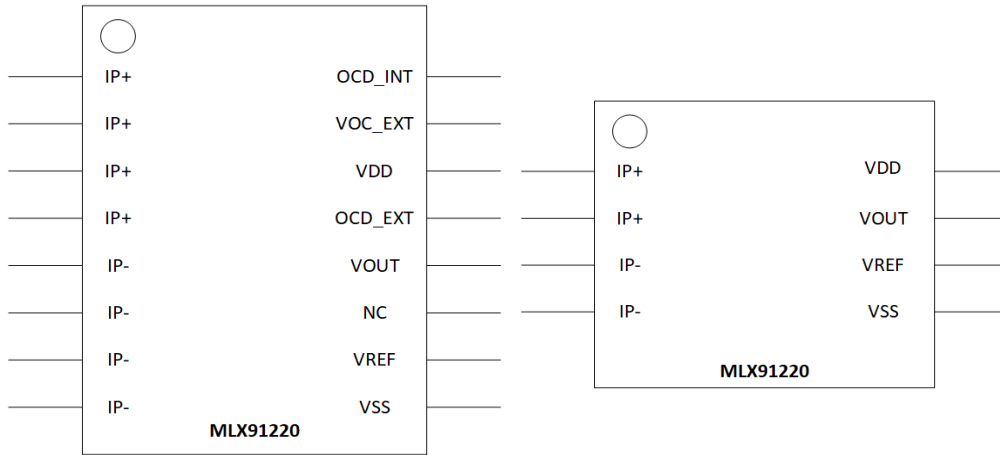


Figure 4: SOIC-16 and SOIC-8 pinouts

| PIN | SOIC-8           |                             | SOIC-16            |  |
|-----|------------------|-----------------------------|--------------------|--|
|     | Pin              | Function                    | Pin                | Function                               |
| 1   | IP+              | Primary Current Path Input  | IP+                | Primary Current Path Input             |
| 2   |                  |                             |                    |  |
| 3   | IP-              | Primary Current Path Output | IP-                | Primary Current Path Output            |
| 4   |                  |                             |                    |  |
| 5   | V <sub>SS</sub>  | Ground Voltage              |                    |  |
| 6   | V <sub>REF</sub> | Reference Voltage           |                    |  |
| 7   | V <sub>OUT</sub> | Output Voltage              |                    |  |
| 8   | V <sub>DD</sub>  | Supply Voltage              |                    |  |
| 9   |                  |                             | V <sub>SS</sub>    | Ground Voltage                         |
| 10  |                  |                             | V <sub>REF</sub>   | Reference Voltage                      |
| 11  |                  |                             | NC                 | Not connected                          |
| 12  |                  |                             | V <sub>OUT</sub>   | Output Voltage                         |
| 13  |                  |                             | OCD <sub>EXT</sub> | External Overcurrent detection         |
| 14  |                  |                             | V <sub>DD</sub>    | Supply Voltage                         |
| 15  |                  |                             | VOC <sub>EXT</sub> | External Overcurrent threshold voltage |
| 16  |                  |                             | OCD <sub>INT</sub> | Internal Overcurrent Detection         |

Table 5: Pinout definition

For optimal EMC behavior, it is recommended to connect the unused pin (NC) to V<sub>SS</sub> (see Chapter 16).

## 8. Absolute Maximum Ratings

Exceeding the absolute maximum ratings may cause permanent damage. Exposure to absolute maximum-rated conditions for extended periods may affect device reliability

| Parameter  | Value                    |
|--|--------------------------|
| Positive Supply Voltage (overvoltage)                  | + 8 V                    |
| Positive Supply Voltage (maintaining application mode) | + 6.5 V                  |
| Reverse Supply Voltage                                 | - 0.3 V                  |
| Positive Pin Voltage <sup>(1)</sup>                    | $V_{DD} + 0.3 \text{ V}$ |
| Output Sourcing Current                                | + 25 mA                  |
| Reverse Pin Voltage <sup>(1)</sup>                     | - 0.3 V                  |
| Output Sinking Current                                 | +50 mA                   |
| Operating Ambient Temperature Range, $T_A$             | - 40°C to + 125°C        |
| Storage Temperature Range, $T_S$                       | - 40°C to + 150°C        |
| Maximum Junction Temperature, $T_J$ <sup>(2)</sup>     | + 165°C                  |

*Table 6: Absolute maximum ratings*

(1) Except for  $V_{DD}$  and  $V_{SS}$

(2) For more information on how the junction temperature relates to the applied current and ambient temperature range, please refer to section 10.

## 9. MLX91220 General Electrical Specifications

DC Operating Parameters at  $V_{DD} = 5V$  (unless otherwise specified) and for  $T_A$  as specified by the Temperature suffix (K).

| Parameter                                    | Symbol         | Test Conditions   | Min | Typ | Max | Units         |
|--|----------------|---|-----|-----|-----|---------------|
| Supply Current                               | $I_{DD}$       | Without $R_{LOAD}$ , in application mode  |     | 20  | 26  | mA            |
| $V_{OUT}$ output resistance                  | $R_{OUT}$      | $V_{OUT} = 50\%V_{DD}$ , $I_{LOAD} = 10\text{ mA}$                                |     | 1   | 5   | $\Omega$      |
| Voltage Reference Output Resistance          | $R_{REF}$      | $V_{REF} = 50\%V_{DD}$ , $I_{SINK} = 5\text{ mA}$ or $I_{SOURCE} = 0.2\text{ mA}$ | 120 | 200 | 333 | $\Omega$      |
| Output Capacitive Load                       | $C_{LOAD}$     | Output amplifier stability is optimized for this typical value                    | 0   | 4.7 | 6   | nF            |
| Common Mode Field Sensitivity <sup>(1)</sup> | CMFS           | For SOIC16  |     | 0.4 |     | mA/G          |
|  |                | For SOIC8   |     | 0.4 |     | mA/G          |
| Output Short Circuit Current                 | $I_{SHORT}$    | Output shorted to $V_{DD}$ or $V_{SS}$ - Permanent                                |     |     | 180 | mA            |
| Output Leakage current                       | $I_{LEAK}$     | High impedance mode,<br>$T_A = 125^\circ\text{C}$<br>$T_J < 150^\circ\text{C}$    |     | 2   | 20  | $\mu\text{A}$ |
| Output Voltage Linear Swing                  | $V_{OUT\_LSW}$ | $V_{DD} > 4.6\text{ V}$ for Fixed Mode versions                                   | 10  |     | 90  | $\%V_{DD}$    |

*Table 7: General electrical specifications*

- (1) Common Mode Field Sensitivity expresses the sensor's susceptibility to a homogeneously applied field perpendicular to the package surface. The differential measurement cancels out such common mode magnetic fields, but due to the matching between both Hall plate clusters flanking the current conductor, this is not perfect. This parameter expresses the mA output error as a result of such 1 mT applied field. It has to be noted, that magnetic fields generated by nearby conductors are not homogenous but introduce gradients. More information in this regard can be found in Application Note AN91220\_ExternalFieldImmunity on [www.melexis.com](http://www.melexis.com)

## 10. MLX91220 General Current Specifications

DC Operating Parameters at  $V_{DD} = 5V$  (unless otherwise specified) and for  $T_A$  as specified by the Temperature suffix (K).

| Parameter   | Symbol               | Test Conditions                                  | Min | Typ  | Max       | Units      |
|---|----------------------|--|-----|------|-----------|------------|
| Electrical Resistance of the Primary Current Path | $R_{IP\_SOIC8}$      | $T_A=25^\circ C$                                 |     | 1.09 |           | m $\Omega$ |
|   | $R_{IP\_SOIC16}$     |  |     | 0.89 |           | m $\Omega$ |
| Measurement Range                                 | $I_{P\_MAX}$         | Option Code ABx-117                              |     | 16.7 |           | A          |
|   |                      | Option Code ABx-025                              |     | 25   |           | A          |
|   |                      | Option Code ABx-030                              |     | 30   |           | A          |
|   |                      | Option Code ABx-050                              |     | 50   |           | A          |
|   |                      | Option Code AUF-050                              |     | 50   |           | A          |
|   |                      | Option Code ABx-075                              |     | 75   |           | A          |
| Nominal Current                                   | $I_{P\_NOM}$         | Option Code ABx-117                              |     | 6.7  |           | A          |
|   |                      | Option Code ABx-025                              |     | 10   |           | A          |
|   |                      | Option Code ABx-030                              |     | 12   |           | A          |
|   |                      | Option Code ABx-050                              |     | 20   |           | A          |
|   |                      | Option Code AUF-050                              |     | 20   |           | A          |
|   |                      | Option Code ABx-075                              |     | 30   |           | A          |
| Linearity Error                                   | NL                   | Current in range $I_{P\_NOM}$ , $T_A=25^\circ C$ |     |      | $\pm 0.3$ | %FS        |
|   | NL                   | Current in range $I_{P\_MAX}$ , $T_A=25^\circ C$ |     |      | $\pm 0.6$ | %FS        |
| Current Capability <sup>(1)</sup>                 | $I_{P\_C85\_SOIC8}$  | Continuous, $T_A=-40$ to $85^\circ C$            |     |      | $\pm 25$  | A          |
|   | $I_{P\_C25\_SOIC8}$  | Continuous, $T_A=25^\circ C$                     |     |      | $\pm 40$  | A          |
|   | $I_{P\_C85\_SOIC16}$ | Continuous, $T_A=-40$ to $85^\circ C$            |     |      | $\pm 30$  | A          |
|   | $I_{P\_C25\_SOIC16}$ | Continuous, $T_A=25^\circ C$                     |     |      | $\pm 45$  | A          |

Table 8: General current specifications

- (1) Current capability based on the reference Melexis PCB made of 2x 105  $\mu m$  copper layer without any forced air or other form of cooling. Continuous or RMS current ranges in application are typically higher than this. More information can be found in Application Notes AN91220\_FuseCurrent Capability and AN91220\_ThermalManagement on [www.melexis.com](http://www.melexis.com).

## 11. MLX91220 Voltage Isolation Specifications

| Parameter   | Symbol                      | Test Conditions  | Value | Units            |
|---|-----------------------------|--|-------|------------------|
| Dielectric Strength Test Voltage <sup>(1)</sup><br><sub>(2)</sub> | V <sub>ISO_SOIC8</sub>      | IEC62368-1:2018  | 3550  | V <sub>RMS</sub> |
|   | V <sub>ISO_SOIC16</sub>     |  | 5400  | V <sub>RMS</sub> |
| Impulse withstand voltage test                                    | V <sub>IMPULSE_SOIC8</sub>  | Test according to IEC61000-4-5,<br>±5 pulses at 2/minute, 1.2<br>µs (rise) / 50 µs (width) | 4000  | V <sub>pk</sub>  |
|   | V <sub>IMPULSE_SOIC16</sub> |  | 6000  | V <sub>pk</sub>  |
| Clearance (primary to secondary)                                  | D <sub>CL_SOIC8</sub>       | Shortest distance through air  | 4     | mm               |
|   | D <sub>CL_SOIC16</sub>      |  | 8.1   | mm               |
| Creepage (primary to secondary)                                   | D <sub>CR_SOIC8</sub>       | Shortest path along body   | 3.6   | mm               |
|   | D <sub>CR_SOIC16</sub>      |  | 7.1   | mm               |
| Comparative tracking index  | CTI                         |  | >600  |                  |
| Material Group  | -                           |  | I     |                  |
| Working Voltage for Basic Isolation                               | V <sub>WV_SOIC8</sub>       | IEC62368-1:2018<br>Based on Pollution degree 2,<br>Material Group I                        | 715   | V <sub>RMS</sub> |
|   | V <sub>WV_SOIC16</sub>      |  | 1415  | V <sub>RMS</sub> |
| Working Voltage for Reinforced Isolation                          | V <sub>WV_SOIC8</sub>       | IEC62368-1:2018<br>Based on Pollution degree 2,<br>Material Group I                        | 357   | V <sub>RMS</sub> |
|   | V <sub>WV_SOIC16</sub>      |  | 707   | V <sub>RMS</sub> |

*Table 9: Voltage isolation specifications*

- (1) Agency type tested, measured between IP (pin 1-4 on SOIC8, pin 1-8 on SOIC16) and Secondary side (pin 5-8 on SOIC8, pin 9-16 on SOIC16).
- (2) Melexis performs routine production-line tests, for all SOIC8 & SOIC16 devices produced.

## 12. MLX91220 Timing Specifications

DC Operating Parameters at  $V_{DD} = 5V$  (unless otherwise specified) and for  $T_A$  as specified by the Temperature suffix (K).

| Parameter                     | Symbol     | Test Conditions  | Min | Typ | Max | Units   |
|-------------------------------|------------|--|-----|-----|-----|---------|
| Step Response Time            | $T_{RESP}$ | Delay between the input signal reaching 90% and the output reaching 90% (see Figure 5) |     |     | 2   | $\mu s$ |
| Bandwidth                     | BW         | -3dB, $T_A = 25^\circ C$   |     | 300 |     | kHz     |
| Power on Delay <sup>(1)</sup> | $T_{POD}$  | $V_{REF}$ capacitor = 47nF   |     |     | 0.6 | ms      |

Table 10: Timing specifications

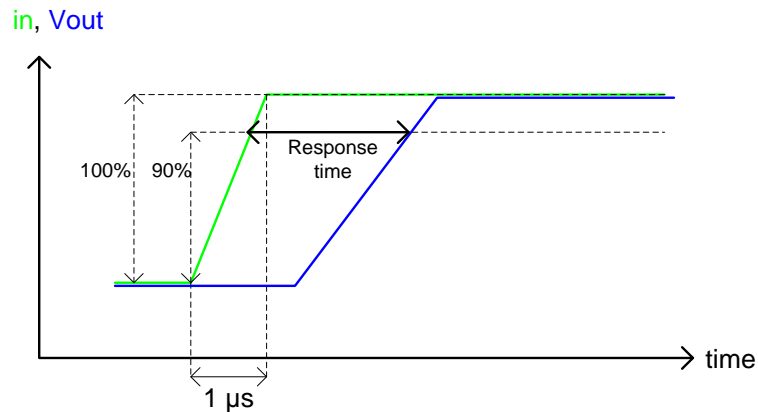


Figure 5: Response Time definition

- (1) During the power on, the output follows a routine and is not valid (i.e. it is not related to magnetic field) for  $T_{POD}=1ms$ .

## 13. Diagnostics

It is possible to take advantage of diagnostic features, with the help of adding a pull-down resistor (see Section 16). If a failure event occurs, the measured output will be set to ground. This can be interpreted as failure by the microcontroller unit.

| Error                            | Effect on Output  |
|----------------------------------|---|
| Calibration data CRC Error       | Output stage in high-Z mode. A pull-down resistor to ground will result in output equal to ground.                                      |
| VDD Under voltage<br>Thresholds: | Output is pulled to GND with a 2kΩ resistance, until VDD is inside the specified ranges, depending if the device is powering on or off. |
| • Power-up: VDD < 2.8V           |   |
| • Power-down: VDD < 2.5V         |   |
| Broken OUT                       | Pull-down external resistor allows to measure a voltage equal to GND.   |

Table 11: Description of the diagnostic modes in MLX91220

## 14. MLX91220 Accuracy Specifications

### 14.1. Definitions

#### 14.1.1. Thermal Reference Drift

The thermal reference drift is the variation of the reference voltage ( $V_{REF}$ ) over temperature. It is expressed in ppm/°C.

$$\begin{aligned}
 + \Delta T_{VREF} &= \left( \frac{V_{ref}[125^{\circ}\text{C}]}{V_{ref}[35^{\circ}\text{C}]} - 1 \right) \cdot \frac{1}{(125 - 35)} \cdot 10^6 \\
 - \Delta T_{VREF} &= \left( \frac{V_{ref}[-40^{\circ}\text{C}]}{V_{ref}[35^{\circ}\text{C}]} - 1 \right) \cdot \frac{1}{(-40 - 35)} \cdot 10^6
 \end{aligned}$$

#### 14.1.2. Voltage Output Quiescent

$V_{OQ}$  corresponds to the difference between the measured and the ideal outputs when no current is flowing through the MLX91220 at  $T_A=25^{\circ}\text{C}$ .

$$V_{OQ} = V_{OUT}[0A]_{measured} - V_{OUT}[0A]_{ideal}$$

#### 14.1.3. Thermal Offset Drift

$\Delta T_{V_{OQ}}$  corresponds to variation of  $V_{OQ}$  in temperature.

#### 14.1.4. Sensitivity

The sensitivity is the ratio between the output of the MLX91220 and the input current.

For ratiometric devices, as the output will scale with the supply, sensitivity is expressed as [%V<sub>DD</sub>]/A. For simplicity, in the datasheet the sensitivity will be always expressed in mV/A. For ratiometric devices, this corresponds to the sensitivity for V<sub>DD</sub>=5V, depending on the settings of the sensor.

For fixed devices, the output does not vary with the V<sub>DD</sub>, sensitivity is thus expressed as mV/A.

#### 14.1.5. Linearity Error

The linearity error is the deviation of the output from the expected linear behaviour. To obtain the linearity error, the current is swept from -I<sub>PM</sub> to I<sub>PM</sub>. To decorrelate the thermal drift from the linearity error, the junction temperature should be fixed below 50°C.

$$NL = \frac{V_{out}[I] - BESTFIT(V_{out}[I])}{V_{out}[I_{PM}] - V_{out}[-I_{PM}]} \cdot 100 \text{ [%FS]}$$

#### 14.1.6. Ratiometry Offset and Sensitivity Error

##### Ratiometric Mode

In Ratiometric mode, V<sub>OUT</sub> and V<sub>REF</sub> are scaled with the supply voltage. V<sub>DDnom</sub> = 5V

Ratiometric V<sub>OQ</sub> Error:

$$\Delta R_{VOQ} = V_{OQ}[V_{DDnom}] - V_{OQ}[V_{DDnom} \pm 10\%] \cdot \frac{V_{DDnom}}{V_{DDnom} \pm 10\%} \text{ [mV]}$$

Ratiometric Sensitivity Error:

$$\Delta R_S = 100 \cdot \left(1 - \frac{S[V_{DDnom} \pm 10\%]}{S[V_{DDnom}]} \cdot \frac{V_{DDnom}}{V_{DDnom} \pm 10\%}\right) \text{ [%]}$$

##### Fixed Mode

In Fixed mode, V<sub>OUT</sub> and V<sub>REF</sub> are not scaled with the supply voltage. Ideally, they do not vary. V<sub>DDnom</sub> = 5V

Non-Ratiometric V<sub>OQ</sub> Error:

$$\Delta R_{VOQ} = V_{OQ}[V_{DDnom} \pm 10\%] - V_{OQ}[V_{DDnom}] \text{ [mV]}$$

Non-Ratiometric Sensitivity Error:

$$\Delta R_S = \left(\frac{S[V_{DDnom} \pm 10\%]}{S[V_{DDnom}]} - 1\right) \cdot 100 \text{ [%]}$$

## 14.2. MLX91220KDx-ABF-117 Specifications

DC Operating Parameters at  $V_{DD} = 5V$  (unless otherwise specified), for  $T_A$  as specified by the Temperature suffix (K) and for  $T_J < 150\text{ }^\circ\text{C}$ .

| Parameter   | Symbol            | Test Conditions   | Min         | Typ                 | Max                  | Units                          |
|---|-------------------|---|-------------|---------------------|----------------------|--------------------------------|
| Primary current                                     | $I_{PM}$          | For $V_{DD} > 4.6\text{ V}$   | -16.7       |                     | 16.7                 | A                              |
| Nominal Supply Voltage                              | $V_{DD}$          | For $I$ such as $V_{OUT} < V_{DD} - 0.1\text{ V}$   | 4.5         | 5                   | 5.5                  | V                              |
| Voltage Reference                                   | $V_{REF}$         | $T_A = 25^\circ\text{C}$ . No resistive load on Vref pin  | 2.48        | 2.5                 | 2.52                 | V                              |
| Thermal Reference Drift                             | $\Delta T_{VREF}$ | Variation versus $25^\circ\text{C}$   |             |                     | $\pm 150$            | ppm/ $^\circ\text{C}$          |
| Voltage Output Quiescent                            | $V_{OQ}$          | No current flowing through IP, $V_{OUT} - V_{REF}$ , $T_A = 25^\circ\text{C}$<br>No resistive load on $V_{OUT}$ and $V_{REF}$ | -7.5<br>-63 |                     | 7.5<br>63            | mV<br>mA                       |
| Ratiometry Offset Error                             | $\Delta R_{VOQ}$  | $T_A = 25^\circ\text{C}$ and for $\pm 10\% V_{DD}$  | -5          |                     | 5                    | mV                             |
| Thermal Offset Drift                                | $\Delta T_{VOQ}$  | Referred to $T_A = 25^\circ\text{C}$ , $I_P = 0\text{ A}$   |             | $\pm 5$<br>$\pm 42$ | $\pm 10$<br>$\pm 84$ | mV<br>mA                       |
| Lifetime Offset Drift                               | $\Delta L_{VOQ}$  |   |             | $\pm 2$             |                      | mV                             |
| Sensitivity   | S                 | At $T_A = 25^\circ\text{C}$<br>For $T_J < 50\text{ }^\circ\text{C}$   | -1<br>118.8 | 120                 | 1<br>121.2           | %S<br>mV/A                     |
| Ratiometry Sensitivity Error                        | $\Delta R_S$      | $T_A = 25^\circ\text{C}$ and for $\pm 10\% V_{DD}$  | -0.6        |                     | 0.6                  | %S                             |
| Thermal Sensitivity Drift                           | $\Delta T_S$      | Current range $I_{P_{MAX}}$   |             | $\pm 1$             | $\pm 1.5$            | %S                             |
| Sensitivity Drift over lifetime                     | $\Delta L_S$      |   |             | $\pm 1$             | $\pm 2$              | %S                             |
| Output Noise Spectral Density                       | $N_{SD}$          | $I_P = 0\text{ A}$ , $T_A = 25^\circ\text{C}$<br>within $BW = 1 \dots 100\text{ kHz}$   |             | 179                 |                      | $\mu\text{A}/\sqrt{\text{Hz}}$ |
| Output RMS Noise                                    | $N_{RMS}$         | $I_P = 0\text{ A}$ , $T_A = 25^\circ\text{C}$<br>$BW = 300\text{ kHz}$  |             | 116                 |                      | $\text{mA}_{RMS}$              |
| OCD <sub>INT</sub> Threshold Current <sup>(1)</sup> | $I_{OCD}$         |   |             | 14.8                |                      | A                              |
| OCD <sub>INT</sub> Accuracy <sup>(1)</sup>          | $\epsilon_{IOCD}$ | $T_A = 25^\circ\text{C}$<br>$T_A = -40^\circ\text{C}$ to $85^\circ\text{C}$   |             | 9.7<br>17.6         |                      | %Threshold<br>%Threshold       |
| OCD <sub>EXT</sub> threshold error <sup>(1)</sup>   | $\epsilon_{EOCD}$ |   | -6          |                     | 6                    | %FS                            |

Table 12: MLX91220KDx-ABF-117 specifications

(1) For SOIC16 version

### 14.3. MLX91220KDx-ABR-020 Specifications

DC Operating Parameters at  $V_{DD} = 5V$  (unless otherwise specified), for  $T_A$  as specified by the Temperature suffix (K) and for  $T_j < 150\text{ }^\circ\text{C}$ .

| Parameter   | Symbol            | Test Conditions   | Min         | Typ                 | Max                   | Units                          |
|---|-------------------|---|-------------|---------------------|-----------------------|--------------------------------|
| Primary current                                     | $I_{PM}$          |   | -20         |                     | 20                    | A                              |
| Nominal Supply Voltage                              | $V_{DD}$          |   | 4.5         | 5                   | 5.5                   | V                              |
| Voltage Output Quiescent                            | $V_{OQ}$          | No current flowing through IP, $V_{OUT} = -V_{DD}/2$ , $T_A = 25^\circ\text{C}$<br>No resistive load on $V_{OUT}$ and $V_{REF}$ | -7.5<br>-75 |                     | 7.5<br>75             | mV<br>mA                       |
| Ratiometry Offset Error                             | $\Delta R_{VOQ}$  | $T_A = 25^\circ\text{C}$ and for $\pm 10\% V_{DD}$  | -10         |                     | 10                    | mV                             |
| Thermal Offset Drift                                | $\Delta T_{VOQ}$  | Referred to $T_A = 25^\circ\text{C}$ , $I_P = 0A$   |             | $\pm 5$<br>$\pm 50$ | $\pm 7.5$<br>$\pm 75$ | mV<br>mA                       |
| Lifetime Offset Drift                               | $\Delta L_{VOQ}$  |   |             | $\pm 2$             |                       | mV                             |
| Sensitivity   | S                 | At $T_A = 25^\circ\text{C}$<br>For $T_j < 50\text{ }^\circ\text{C}$   | -1<br>99    | 100                 | 1<br>101              | %S<br>mV/A                     |
| Ratiometry Sensitivity Error                        | $\Delta R_S$      | $T_A = 25^\circ\text{C}$ and for $\pm 10\% V_{DD}$  |             | $\pm 0.5$           |                       | %S                             |
| Thermal Sensitivity Drift                           | $\Delta T_S$      | Current range $I_{P_{MAX}}$   |             | $\pm 1$             | $\pm 1.5$             | %S                             |
| Sensitivity Drift over lifetime                     | $\Delta L_S$      |   |             | $\pm 1$             | $\pm 2$               | %S                             |
| Output Noise Spectral Density                       | $N_{SD}$          | $I_P = 0A$ , $T_A = 25^\circ\text{C}$<br>within $BW = 1 \dots 100\text{kHz}$  |             | 186                 |                       | $\mu\text{A}/\sqrt{\text{Hz}}$ |
| Output RMS Noise                                    | $N_{RMS}$         | $I_P = 0A$ , $T_A = 25^\circ\text{C}$<br>$BW = 300\text{kHz}$   |             | 120                 |                       | $\text{mA}_{RMS}$              |
| OCD <sub>INT</sub> Threshold Current <sup>(1)</sup> | $I_{OCD}$         |   |             | 22.2                |                       | A                              |
| OCD <sub>INT</sub> Accuracy <sup>(1)</sup>          | $\epsilon_{IOCD}$ | $T_A = 25^\circ\text{C}$<br>$T_A = -40^\circ\text{C}$ to $85^\circ\text{C}$   |             | 8<br>12             |                       | %Threshold<br>%Threshold       |
| OCD <sub>EXT</sub> threshold error <sup>(1)</sup>   | $\epsilon_{EOCD}$ |   | -6          |                     | 6                     | %FS                            |

Table 13: MLX91220KDx-ABR-020 specifications

(1) For SOIC16 version

## 14.4. MLX91220KDx-ABR-025 Specifications

DC Operating Parameters at  $V_{DD} = 5V$  (unless otherwise specified), for  $T_A$  as specified by the Temperature suffix (K) and for  $T_J < 150\text{ }^\circ\text{C}$ .

| Parameter   | Symbol            | Test Conditions   | Min         | Typ                 | Max                   | Units                          |
|---|-------------------|---|-------------|---------------------|-----------------------|--------------------------------|
| Primary current                                     | $I_{PM}$          |   | -25         |                     | 25                    | A                              |
| Nominal Supply Voltage                              | $V_{DD}$          |   | 4.5         | 5                   | 5.5                   | V                              |
| Voltage Output Quiescent                            | $V_{OQ}$          | No current flowing through IP, $V_{OUT} = -V_{DD}/2$ , $T_A = 25^\circ\text{C}$<br>No resistive load on $V_{OUT}$ and $V_{REF}$ | -7.5<br>-94 |                     | 7.5<br>94             | mV<br>mA                       |
| Ratiometry Offset Error                             | $\Delta R_{VOQ}$  | $T_A = 25^\circ\text{C}$ and for $\pm 10\% V_{DD}$  | -10         |                     | 10                    | mV                             |
| Thermal Offset Drift                                | $\Delta T_{VOQ}$  | Referred to $T_A = 25^\circ\text{C}$ , $I_P = 0A$   |             | $\pm 5$<br>$\pm 63$ | $\pm 7.5$<br>$\pm 94$ | mV<br>mA                       |
| Lifetime Offset Drift                               | $\Delta L_{VOQ}$  |   |             | $\pm 2$             |                       | mV                             |
| Sensitivity   | S                 | At $T_A = 25^\circ\text{C}$<br>For $T_J < 50\text{ }^\circ\text{C}$   | -1<br>79.2  | 80                  | 1<br>80.8             | %S<br>mV/A                     |
| Ratiometry Sensitivity Error                        | $\Delta R_S$      | $T_A = 25^\circ\text{C}$ and for $\pm 10\% V_{DD}$  |             | $\pm 0.5$           |                       | %S                             |
| Thermal Sensitivity Drift                           | $\Delta T_S$      | Current range $I_{P_{MAX}}$   |             | $\pm 1$             | $\pm 1.5$             | %S                             |
| Lifetime Sensitivity Drift                          | $\Delta L_S$      |   |             | $\pm 1$             | $\pm 2$               | %S                             |
| Output Noise Spectral Density                       | $N_{SD}$          | $I_P = 0\text{ A}$ , $T_A = 25^\circ\text{C}$<br>within $BW = 1 \dots 100\text{kHz}$  |             | 190                 |                       | $\mu\text{A}/\sqrt{\text{Hz}}$ |
| Output RMS Noise                                    | $N_{RMS}$         | $I_P = 0\text{ A}$ , $T_A = 25^\circ\text{C}$<br>$BW = 300\text{kHz}$   |             | 129                 |                       | $\text{mA}_{RMS}$              |
| OCD <sub>INT</sub> Threshold Current <sup>(1)</sup> | $I_{OCD}$         |   |             | 27.8                |                       | A                              |
| OCD <sub>INT</sub> Accuracy <sup>(1)</sup>          | $\epsilon_{IOCD}$ | $T_A = 25^\circ\text{C}$<br>$T_A = -40^\circ\text{C}$ to $85^\circ\text{C}$   |             | 7.5<br>11.5         |                       | %Threshold<br>%Threshold       |
| OCD <sub>EXT</sub> threshold error <sup>(1)</sup>   | $\epsilon_{EOCD}$ |   | -6          |                     | 6                     | %FS                            |

Table 14: MLX91220KDx-ABR-025 specifications

(1) For SOIC16 version

## 14.5. MLX91220KDx-ABF-025 Specifications

DC Operating Parameters at  $V_{DD} = 5V$  (unless otherwise specified), for  $T_A$  as specified by the Temperature suffix (K) and for  $T_J < 150\text{ }^\circ\text{C}$ .

| Parameter   | Symbol            | Test Conditions   | Min         | Typ                 | Max                   | Units                          |
|---|-------------------|---|-------------|---------------------|-----------------------|--------------------------------|
| Primary current                                     | $I_{PM}$          | For $V_{DD} > 4.6\text{ V}$   | -25         |                     | 25                    | A                              |
| Nominal Supply Voltage                              | $V_{DD}$          | For $I$ such as $V_{OUT} < V_{DD} - 0.1\text{ V}$   | 4.5         | 5                   | 5.5                   | V                              |
| Voltage Reference                                   | $V_{REF}$         | $T_A = 25^\circ\text{C}$ . No resistive load on Vref pin  | 2.48        | 2.5                 | 2.52                  | V                              |
| Thermal Reference Drift                             | $\Delta T_{VREF}$ | Variation versus $25^\circ\text{C}$   |             |                     | $\pm 150$             | ppm/ $^\circ\text{C}$          |
| Voltage Output Quiescent                            | $V_{OQ}$          | No current flowing through $I_P$ , $V_{OUT} - V_{REF}$ , $T_A = 25^\circ\text{C}$<br>No resistive load on $V_{OUT}$ and $V_{REF}$ | -7.5<br>-94 |                     | 7.5<br>94             | mV<br>mA                       |
| Ratiometry Offset Error                             | $\Delta R_{VOQ}$  | $T_A = 25^\circ\text{C}$ and for $\pm 10\% V_{DD}$  | -5          |                     | 5                     | mV                             |
| Thermal Offset Drift                                | $\Delta T_{VOQ}$  | Referred to $T_A = 25^\circ\text{C}$ , $I_P = 0\text{ A}$   |             | $\pm 5$<br>$\pm 63$ | $\pm 7.5$<br>$\pm 94$ | mV<br>mA                       |
| Lifetime Offset Drift                               | $\Delta L_{VOQ}$  |   |             | $\pm 2$             |                       | mV                             |
| Sensitivity   | $S$               | At $T_A = 25^\circ\text{C}$<br>For $T_J < 50\text{ }^\circ\text{C}$   | -1<br>79.2  | 80                  | 1<br>80.8             | %S<br>mV/A                     |
| Ratiometry Sensitivity Error                        | $\Delta R_S$      | $T_A = 25^\circ\text{C}$ and for $\pm 10\% V_{DD}$  | -0.6        |                     | 0.6                   | %S                             |
| Thermal Sensitivity Drift                           | $\Delta T_S$      | Current range $I_{P_{MAX}}$   |             | $\pm 1$             | $\pm 1.5$             | %S                             |
| Lifetime Sensitivity Drift                          | $\Delta L_S$      |   |             | $\pm 1$             | $\pm 2$               | %S                             |
| Output Noise Spectral Density                       | $N_{SD}$          | $I_P = 0\text{ A}$ , $T_A = 25^\circ\text{C}$<br>within $BW = 1 \dots 100\text{ kHz}$   |             | 190                 |                       | $\mu\text{A}/\sqrt{\text{Hz}}$ |
| Output RMS Noise                                    | $N_{RMS}$         | $I_P = 0\text{ A}$ , $T_A = 25^\circ\text{C}$<br>$BW = 300\text{ kHz}$  |             | 129                 |                       | $\text{mA}_{RMS}$              |
| OCD <sub>INT</sub> Threshold Current <sup>(1)</sup> | $I_{OCD}$         |   |             | 27.8                |                       | A                              |
| OCD <sub>INT</sub> Accuracy <sup>(1)</sup>          | $\epsilon_{IOCD}$ | $T_A = 25^\circ\text{C}$<br>$T_A = -40^\circ\text{C}$ to $85^\circ\text{C}$   |             | 7.5<br>11.5         |                       | %Threshold<br>%Threshold       |
| OCD <sub>EXT</sub> threshold error <sup>(1)</sup>   | $\epsilon_{EOCD}$ |   | -6          |                     | 6                     | %FS                            |

Table 15: MLX91220KDx-ABF-025 specifications

(1) For SOIC16 version

## 14.6. MLX91220KDx-ABR-030 Specifications

DC Operating Parameters at  $V_{DD} = 5V$  (unless otherwise specified), for  $T_A$  as specified by the Temperature suffix (K) and for  $T_J < 150\text{ }^\circ\text{C}$ .

| Parameter   | Symbol            | Test Conditions   | Min          | Typ                 | Max                    | Units                          |
|---|-------------------|---|--------------|---------------------|------------------------|--------------------------------|
| Primary current                                     | $I_{PM}$          |   | -30          |                     | 30                     | A                              |
| Nominal Supply Voltage                              | $V_{DD}$          |   | 4.5          | 5                   | 5.5                    | V                              |
| Voltage Output Quiescent                            | $V_{OQ}$          | No current flowing through IP, $V_{OUT} = -V_{DD}/2$ , $T_A = 25^\circ\text{C}$<br>No resistive load on $V_{OUT}$ and $V_{REF}$ | -7.5<br>-112 |                     | 7.5<br>112             | mV<br>mA                       |
| Ratiometry Offset Error                             | $\Delta R_{VOQ}$  | $T_A = 25^\circ\text{C}$ and for $\pm 10\% V_{DD}$  | -10          |                     | 10                     | mV                             |
| Thermal Offset Drift                                | $\Delta T_{VOQ}$  | Referred to $T_A = 25^\circ\text{C}$ , $I_P = 0A$   |              | $\pm 5$<br>$\pm 75$ | $\pm 7.5$<br>$\pm 112$ | mV<br>mA                       |
| Lifetime Offset Drift                               | $\Delta L_{VOQ}$  |   |              | $\pm 2$             |                        | mV                             |
| Sensitivity   | S                 | At $T_A = 25^\circ\text{C}$<br>For $T_J < 50\text{ }^\circ\text{C}$   | -1<br>66.0   | 66.7                | 1<br>67.4              | %S<br>mV/A                     |
| Ratiometry Sensitivity Error                        | $\Delta R_S$      | $T_A = 25^\circ\text{C}$ and for $\pm 10\% V_{DD}$  |              | $\pm 0.5$           |                        | %S                             |
| Thermal Sensitivity Drift                           | $\Delta T_S$      | Current range $I_{P_{MAX}}$   |              | $\pm 1$             | $\pm 1.5$              | %S                             |
| Lifetime Sensitivity Drift                          | $\Delta L_S$      |   |              | $\pm 1$             | $\pm 2$                | %S                             |
| Output Noise Spectral Density                       | $N_{SD}$          | $I_P = 0\text{ A}$ , $T_A = 25^\circ\text{C}$<br>within $BW = 1 \dots 100\text{kHz}$  |              | 197                 |                        | $\mu\text{A}/\sqrt{\text{Hz}}$ |
| Output RMS Noise                                    | $N_{RMS}$         | $I_P = 0\text{ A}$ , $T_A = 25^\circ\text{C}$<br>$BW = 300\text{kHz}$   |              | 131                 |                        | $\text{mA}_{RMS}$              |
| OCD <sub>INT</sub> Threshold Current <sup>(1)</sup> | $I_{OCD}$         |   |              | 33.7                |                        | A                              |
| OCD <sub>INT</sub> Accuracy <sup>(1)</sup>          | $\epsilon_{IOCD}$ | $T_A = 25^\circ\text{C}$<br>$T_A = -40^\circ\text{C}$ to $85^\circ\text{C}$   |              | 7<br>11             |                        | %Threshold<br>%Threshold       |
| OCD <sub>EXT</sub> threshold error <sup>(1)</sup>   | $\epsilon_{EOCD}$ |   | -6           |                     | 6                      | %FS                            |

Table 16: MLX91220KDx-ABR-030 specifications

(1) For SOIC16 version

## 14.7. MLX91220KDx-ABR-050 Specifications

DC Operating Parameters at  $V_{DD} = 5V$  (unless otherwise specified), for  $T_A$  as specified by the Temperature suffix (K) and for  $T_J < 150\text{ }^\circ\text{C}$ .

| Parameter   | Symbol            | Test Conditions   | Min          | Typ                  | Max                    | Units                          |
|---|-------------------|---|--------------|----------------------|------------------------|--------------------------------|
| Primary current                                     | $I_{PM}$          |   | -50          |                      | 50                     | A                              |
| Nominal Supply Voltage                              | $V_{DD}$          |   | 4.5          | 5                    | 5.5                    | V                              |
| Voltage Output Quiescent                            | $V_{OQ}$          | No current flowing through IP, $V_{OUT} = -V_{DD}/2$ , $T_A = 25^\circ\text{C}$<br>No resistive load on $V_{OUT}$ and $V_{REF}$ | -7.5<br>-188 |                      | 7.5<br>188             | mV<br>mA                       |
| Ratiometry Offset Error                             | $\Delta R_{VOQ}$  | $T_A = 25^\circ\text{C}$ and for $\pm 10\% V_{DD}$  | -10          |                      | 10                     | mV                             |
| Thermal Offset Drift                                | $\Delta T_{VOQ}$  | Referred to $T_A = 25^\circ\text{C}$ , $IP = 0A$  |              | $\pm 5$<br>$\pm 125$ | $\pm 7.5$<br>$\pm 188$ | mV<br>mA                       |
| Lifetime Offset Drift                               | $\Delta L_{VOQ}$  |   |              | $\pm 2$              |                        | mV                             |
| Sensitivity   | S                 | At $T_A = 25^\circ\text{C}$<br>For $T_J < 50\text{ }^\circ\text{C}$   | -1<br>39.6   | 40                   | 1<br>40.4              | %S<br>mV/A                     |
| Ratiometry Sensitivity Error                        | $\Delta R_S$      | $T_A = 25^\circ\text{C}$ and for $\pm 10\% V_{DD}$  |              | $\pm 0.5$            |                        | %S                             |
| Thermal Sensitivity Drift                           | $\Delta T_S$      | Current range $IP_{MAX}$  |              | $\pm 1$              | $\pm 1.5$              | %S                             |
| Lifetime Sensitivity Drift                          | $\Delta L_S$      |   |              | $\pm 1$              | $\pm 2$                | %S                             |
| Output Noise Spectral Density                       | $N_{SD}$          | $IP = 0A$ , $T_A = 25^\circ\text{C}$<br>within $BW = 1 \dots 100\text{kHz}$   |              | 186                  |                        | $\mu\text{A}/\sqrt{\text{Hz}}$ |
| Output RMS Noise                                    | $N_{RMS}$         | $IP = 0A$ , $T_A = 25^\circ\text{C}$<br>$BW = 300\text{kHz}$  |              | 126                  |                        | $\text{mA}_{RMS}$              |
| OCD <sub>INT</sub> Threshold Current <sup>(1)</sup> | $I_{OCD}$         |   |              | 55.6                 |                        | A                              |
| OCD <sub>INT</sub> Accuracy <sup>(1)</sup>          | $\epsilon_{IOCD}$ | $T_A = 25^\circ\text{C}$<br>$T_A = -40^\circ\text{C}$ to $85^\circ\text{C}$   |              | 4.2<br>6.2           |                        | %Threshold<br>%Threshold       |
| OCD <sub>EXT</sub> threshold error <sup>(1)</sup>   | $\epsilon_{EOCD}$ |   | -6           |                      | 6                      | %FS                            |

Table 17: MLX91220KDx-ABR-050 specifications

(1) For SOIC16 version

## 14.8. MLX91220KDx-ABF-050 Specifications

DC Operating Parameters at  $V_{DD} = 5V$  (unless otherwise specified), for  $T_A$  as specified by the Temperature suffix (K) and for  $T_J < 150\text{ }^\circ\text{C}$ .

| Parameter   | Symbol            | Test Conditions   | Min          | Typ                  | Max                    | Units                          |
|---|-------------------|---|--------------|----------------------|------------------------|--------------------------------|
| Primary current                                     | $I_{PM}$          | For $V_{DD} > 4.6\text{ V}$   | -50          |                      | 50                     | A                              |
| Nominal Supply Voltage                              | $V_{DD}$          | For I such as $V_{OUT} < V_{DD} - 0.1\text{ V}$   | 4.5          | 5                    | 5.5                    | V                              |
| Voltage Reference                                   | $V_{REF}$         | $T_A = 25^\circ\text{C}$ . No resistive load on Vref pin  | 2.48         | 2.5                  | 2.52                   | V                              |
| Thermal Reference Drift                             | $\Delta T_{VREF}$ | Variation versus $25^\circ\text{C}$   |              |                      | $\pm 150$              | ppm/ $^\circ\text{C}$          |
| Voltage Output Quiescent                            | $V_{OQ}$          | No current flowing through IP, $V_{OUT} - V_{REF}$ , $T_A = 25^\circ\text{C}$<br>No resistive load on $V_{OUT}$ and $V_{REF}$ | -7.5<br>-188 |                      | 7.5<br>188             | mV<br>mA                       |
| Ratiometry Offset Error                             | $\Delta R_{VOQ}$  | $T_A = 25^\circ\text{C}$ and for $\pm 10\% V_{DD}$  | -5           |                      | 5                      | mV                             |
| Thermal Offset Drift                                | $\Delta T_{VOQ}$  | Referred to $T_A = 25^\circ\text{C}$ , $IP = 0A$  |              | $\pm 5$<br>$\pm 125$ | $\pm 7.5$<br>$\pm 188$ | mV<br>mA                       |
| Lifetime Offset Drift                               | $\Delta L_{VOQ}$  |   |              | $\pm 2$              |                        | mV                             |
| Sensitivity   | S                 | At $T_A = 25^\circ\text{C}$<br>For $T_J < 50\text{ }^\circ\text{C}$   | -1<br>39.6   | 40                   | 1<br>40.4              | %S<br>mV/A                     |
| Ratiometry Sensitivity Error                        | $\Delta R_S$      | $T_A = 25^\circ\text{C}$ and for $\pm 10\% V_{DD}$  | -0.6         |                      | 0.6                    | %S                             |
| Thermal Sensitivity Drift                           | $\Delta T_S$      | Current range $IP_{MAX}$  |              | $\pm 1$              | $\pm 1.5$              | %S                             |
| Lifetime Sensitivity Drift                          | $\Delta L_S$      |   |              | $\pm 1$              | $\pm 2$                | %S                             |
| Output Noise Spectral Density                       | $N_{SD}$          | $IP = 0\text{ A}$ , $T_A = 25^\circ\text{C}$<br>within $BW = 1 \dots 100\text{ kHz}$  |              | 186                  |                        | $\mu\text{A}/\sqrt{\text{Hz}}$ |
| Output RMS Noise                                    | $N_{RMS}$         | $IP = 0\text{ A}$ , $T_A = 25^\circ\text{C}$<br>$BW = 300\text{ kHz}$   |              | 126                  |                        | $\text{mA}_{RMS}$              |
| OCD <sub>INT</sub> Threshold Current <sup>(1)</sup> | $I_{OCD}$         |   |              | 55.6                 |                        | A                              |
| OCD <sub>INT</sub> Accuracy <sup>(1)</sup>          | $\epsilon_{IOCD}$ | $T_A = 25^\circ\text{C}$<br>$T_A = -40^\circ\text{C}$ to $85^\circ\text{C}$   |              | 4.2<br>6.2           |                        | %Threshold<br>%Threshold       |
| OCD <sub>EXT</sub> threshold error <sup>(1)</sup>   | $\epsilon_{EOCD}$ |   | -6           |                      | 6                      | %FS                            |

Table 18: MLX91220KDx-ABF-050 specifications

(1) For SOIC16 version

## 14.9. MLX91220KDx-AUF-050 Specifications

DC Operating Parameters at  $V_{DD} = 5V$  (unless otherwise specified), for  $T_A$  as specified by the Temperature suffix (K) and for  $T_J < 150\text{ }^\circ\text{C}$ .

| Parameter   | Symbol            | Test Conditions   | Min          | Typ                  | Max                    | Units                          |
|---|-------------------|---|--------------|----------------------|------------------------|--------------------------------|
| Primary current                                     | $I_{PM}$          | For $V_{DD} > 4.6\text{ V}$   | 0            |                      | 50                     | A                              |
| Nominal Supply Voltage                              | $V_{DD}$          | For $I$ such as $V_{OUT} < V_{DD} - 0.1\text{ V}$   | 4.5          | 5                    | 5.5                    | V                              |
| Voltage Reference                                   | $V_{REF}$         | $T_A = 25^\circ\text{C}$ . No resistive load on Vref pin  | 0.495        | 0.5                  | 0.505                  | V                              |
| Thermal Reference Drift                             | $\Delta T_{VREF}$ | Variation versus $25^\circ\text{C}$   |              |                      | $\pm 250$              | ppm/ $^\circ\text{C}$          |
| Voltage Output Quiescent                            | $V_{OQ}$          | No current flowing through $I_P$ , $V_{OUT} - V_{REF}$ , $T_A = 25^\circ\text{C}$<br>No resistive load on $V_{OUT}$ and $V_{REF}$ | -7.5<br>-188 |                      | 7.5<br>188             | mV<br>mA                       |
| Ratiometry Offset Error                             | $\Delta R_{VOQ}$  | $T_A = 25^\circ\text{C}$ and for $\pm 10\% V_{DD}$  | -5           |                      | 5                      | mV                             |
| Thermal Offset Drift                                | $\Delta T_{VOQ}$  | Referred to $T_A = 25^\circ\text{C}$ , $I_P = 0\text{ A}$   |              | $\pm 5$<br>$\pm 125$ | $\pm 7.5$<br>$\pm 188$ | mV<br>mA                       |
| Lifetime Offset Drift                               | $\Delta L_{VOQ}$  |   |              | $\pm 2$              |                        | mV                             |
| Sensitivity   | $S$               | At $T_A = 25^\circ\text{C}$<br>For $T_J < 50\text{ }^\circ\text{C}$   | -1<br>79.2   | 80                   | 1<br>80.8              | %S<br>mV/A                     |
| Ratiometry Sensitivity Error                        | $\Delta R_S$      | $T_A = 25^\circ\text{C}$ and for $\pm 10\% V_{DD}$  | -0.6         |                      | 0.6                    | %S                             |
| Thermal Sensitivity Drift                           | $\Delta T_S$      | Current range $I_{P_{MAX}}$   |              | $\pm 1$              | $\pm 1.5$              | %S                             |
| Lifetime Sensitivity Drift                          | $\Delta L_S$      |   |              | $\pm 1$              | $\pm 2$                | %S                             |
| Output Noise Spectral Density                       | $N_{SD}$          | $I_P = 0\text{ A}$ , $T_A = 25^\circ\text{C}$<br>within $BW = 1 \dots 100\text{ kHz}$   |              | 190                  |                        | $\mu\text{A}/\sqrt{\text{Hz}}$ |
| Output RMS Noise                                    | $N_{RMS}$         | $I_P = 0\text{ A}$ , $T_A = 25^\circ\text{C}$<br>$BW = 300\text{ kHz}$  |              | 129                  |                        | $\text{mA}_{RMS}$              |
| OCD <sub>INT</sub> Threshold Current <sup>(1)</sup> | $I_{OCD}$         |   |              | 55                   |                        | A                              |
| OCD <sub>INT</sub> Accuracy <sup>(1)</sup>          | $\epsilon_{IOCD}$ | $T_A = 25^\circ\text{C}$<br>$T_A = -40^\circ\text{C}$ to $85^\circ\text{C}$   |              | 10<br>10             |                        | %Threshold<br>%Threshold       |
| OCD <sub>EXT</sub> threshold error <sup>(1)</sup>   | $\epsilon_{EOCD}$ |   | -3           |                      | 3                      | %FS                            |

Table 19: MLX91220KDx-AUF-050 specifications

(1) For SOIC16 version

## 14.10. MLX91220KDx-ABR-075 Specifications

DC Operating Parameters at  $V_{DD} = 5V$  (unless otherwise specified), for  $T_A$  as specified by the Temperature suffix (K) and for  $T_j < 150\text{ }^\circ\text{C}$ .

| Parameter   | Symbol            | Test Conditions   | Min          | Typ                  | Max                    | Units                          |
|---|-------------------|---|--------------|----------------------|------------------------|--------------------------------|
| Primary current                                     | $I_{PM}$          |   | -75          |                      | 75                     | A                              |
| Nominal Supply Voltage                              | $V_{DD}$          |   | 4.5          | 5                    | 5.5                    | V                              |
| Voltage Output Quiescent                            | $V_{OQ}$          | No current flowing through IP, $V_{OUT} = -V_{DD}/2$ , $T_A = 25^\circ\text{C}$<br>No resistive load on $V_{OUT}$ and $V_{REF}$ | -7.5<br>-281 |                      | 7.5<br>281             | mV<br>mA                       |
| Ratiometry Offset Error                             | $\Delta R_{VOQ}$  | $T_A = 25^\circ\text{C}$ and for $\pm 10\% V_{DD}$  | -10          |                      | 10                     | mV                             |
| Thermal Offset Drift                                | $\Delta T_{VOQ}$  | Referred to $T_A = 25^\circ\text{C}$ , $I_P = 0A$   |              | $\pm 5$<br>$\pm 187$ | $\pm 7.5$<br>$\pm 281$ | mV<br>mA                       |
| Lifetime Offset Drift                               | $\Delta L_{VOQ}$  |   |              | $\pm 2$              |                        | mV                             |
| Sensitivity   | S                 | At $T_A = 25^\circ\text{C}$<br>For $T_j < 50\text{ }^\circ\text{C}$   | -1<br>26.4   | 26.7                 | 1<br>27                | %S<br>mV/A                     |
| Ratiometry Sensitivity Error                        | $\Delta R_S$      | $T_A = 25^\circ\text{C}$ and for $\pm 10\% V_{DD}$  |              | $\pm 0.5$            |                        | %S                             |
| Thermal Sensitivity Drift                           | $\Delta T_S$      | Current range $I_{P_{MAX}}$   |              | $\pm 1$              | $\pm 1.5$              | %S                             |
| Sensitivity Drift over lifetime                     | $\Delta L_S$      |   |              | $\pm 1$              | $\pm 2$                | %S                             |
| Output Noise Spectral Density                       | $N_{SD}$          | $I_P = 0A$ , $T_A = 25^\circ\text{C}$<br>within $BW = 1 \dots 100\text{kHz}$  |              | 207                  |                        | $\mu\text{A}/\sqrt{\text{Hz}}$ |
| Output RMS Noise                                    | $N_{RMS}$         | $I_P = 0A$ , $T_A = 25^\circ\text{C}$<br>$BW = 300\text{kHz}$   |              | 143                  |                        | $\text{mA}_{RMS}$              |
| OCD <sub>INT</sub> Threshold Current <sup>(1)</sup> | $I_{OCD}$         |   |              | 83.4                 |                        | A                              |
| OCD <sub>INT</sub> Accuracy <sup>(1)</sup>          | $\epsilon_{IOCD}$ | $T_A = 25^\circ\text{C}$<br>$T_A = -40^\circ\text{C}$ to $85^\circ\text{C}$   |              | 4<br>6               |                        | %Threshold<br>%Threshold       |
| OCD <sub>EXT</sub> threshold error <sup>(1)</sup>   | $\epsilon_{EOCD}$ |   | -6           |                      | 6                      | %FS                            |

Table 20: MLX91220KDx-ABR-075 specifications

(1) For SOIC16 version

## 14.11. MLX91220K Dx-ABF-075 Specifications

DC Operating Parameters at  $V_{DD} = 5V$  (unless otherwise specified), for  $T_A$  as specified by the Temperature suffix (K) and for  $T_J < 150\text{ }^\circ\text{C}$ .

| Parameter   | Symbol            | Test Conditions   | Min          | Typ                  | Max                    | Units                          |
|---|-------------------|---|--------------|----------------------|------------------------|--------------------------------|
| Primary current                                     | $I_{PM}$          | For $V_{DD} > 4.6\text{ V}$   | -75          |                      | 75                     | A                              |
| Nominal Supply Voltage                              | $V_{DD}$          | For $I$ such as $V_{OUT} < V_{DD} - 0.1\text{ V}$   | 4.5          | 5                    | 5.5                    | V                              |
| Voltage Reference                                   | $V_{REF}$         | $T_A = 25^\circ\text{C}$ . No resistive load on Vref pin  | 2.48         | 2.5                  | 2.52                   | V                              |
| Thermal Reference Drift                             | $\Delta T_{VREF}$ | Variation versus $25^\circ\text{C}$   |              |                      | $\pm 150$              | ppm/ $^\circ\text{C}$          |
| Voltage Output Quiescent                            | $V_{OQ}$          | No current flowing through $I_P$ , $V_{OUT} - V_{REF}$ , $T_A = 25^\circ\text{C}$<br>No resistive load on $V_{OUT}$ and $V_{REF}$ | -7.5<br>-281 |                      | 7.5<br>281             | mV<br>mA                       |
| Ratiometry Offset Error                             | $\Delta R_{VOQ}$  | $T_A = 25^\circ\text{C}$ and for $\pm 10\% V_{DD}$  | -5           |                      | 5                      | mV                             |
| Thermal Offset Drift                                | $\Delta T_{VOQ}$  | Referred to $T_A = 25^\circ\text{C}$ , $I_P = 0\text{ A}$   |              | $\pm 5$<br>$\pm 187$ | $\pm 7.5$<br>$\pm 281$ | mV<br>mA                       |
| Lifetime Offset Drift                               | $\Delta L_{VOQ}$  |   |              | $\pm 2$              |                        | mV                             |
| Sensitivity   | $S$               | At $T_A = 25^\circ\text{C}$<br>For $T_J < 50\text{ }^\circ\text{C}$   | -1<br>26.4   | 26.7                 | 1<br>27                | %S<br>mV/A                     |
| Ratiometry Sensitivity Error                        | $\Delta R_S$      | $T_A = 25^\circ\text{C}$ and for $\pm 10\% V_{DD}$  | -0.6         |                      | 0.6                    | %S                             |
| Thermal Sensitivity Drift                           | $\Delta T_S$      | Current range $I_{P_{MAX}}$   |              | $\pm 1$              | $\pm 1.5$              | %S                             |
| Lifetime Sensitivity Drift                          | $\Delta L_S$      |   |              | $\pm 1$              | $\pm 2$                | %S                             |
| Output Noise Spectral Density                       | $N_{SD}$          | $I_P = 0\text{ A}$ , $T_A = 25^\circ\text{C}$<br>within $BW = 1 \dots 100\text{ kHz}$   |              | 207                  |                        | $\mu\text{A}/\sqrt{\text{Hz}}$ |
| Output RMS Noise                                    | $N_{RMS}$         | $I_P = 0\text{ A}$ , $T_A = 25^\circ\text{C}$<br>$BW = 300\text{ kHz}$  |              | 143                  |                        | $\text{mA}_{RMS}$              |
| OCD <sub>INT</sub> Threshold Current <sup>(1)</sup> | $I_{OCD}$         |   |              | 83.4                 |                        | A                              |
| OCD <sub>INT</sub> Accuracy <sup>(1)</sup>          | $\epsilon_{IOCD}$ | $T_A = 25^\circ\text{C}$<br>$T_A = -40^\circ\text{C}$ to $85^\circ\text{C}$   |              | 4<br>6               |                        | %Threshold<br>%Threshold       |
| OCD <sub>EXT</sub> threshold error <sup>(1)</sup>   | $\epsilon_{EOCD}$ |   | -6           |                      | 6                      | %FS                            |

Table 21: MLX91220K Dx-ABF-075 specifications

(1) For SOIC16 version

## 15. MLX91220 Overcurrent Detection

### 15.1. General

The MLX91220 provides two OCD features that allow detecting overcurrent applied on the integrated sensor primary. In case of OCD detection, the  $OCD_{INT}$  or  $OCD_{EXT}$  is pulled to ground. During normal operation the OCD voltage remains at  $V_{DD}$ . This OCD feature is available for SOIC16 version only.

The two OCD functions are able to react to an overcurrent event within few us of response time. To avoid false alarm, the overcurrent has to be maintained at least  $1\mu s$  for the detection to occur. After detection by the sensor the output flag is maintained for  $10\mu s$  of dwell time. This allows the overcurrent to be easily detected at microcontroller level. More information can be found in Application Note AN91220\_OverCurrentDetection on [www.melexis.com](http://www.melexis.com)

The following table offers a comparison between  $OCD_{INT}$  and  $OCD_{EXT}$ :

|                             | $OCD_{INT}$                 |            | $OCD_{EXT}$                    |     |
|-----------------------------|-----------------------------|------------|--------------------------------|-----|
|                             | Min                         | Max        | Min                            | Max |
| Typical Application         | Short-circuit detection     |            | Out-of-range detection         |     |
| Overcurrent effect          | $OCD_{INT}$ pin to $V_{SS}$ |            | $OCD_{EXT}$ pin to $V_{SS}$    |     |
| Detection mode              | Bidirectional               |            | Unidirectional / bidirectional |     |
| Accuracy                    | Lower                       |            | Higher                         |     |
| Threshold trimming          | EEPROM                      |            | Voltage divider on $VOC_{EXT}$ |     |
| Response time               | $1.4\mu s$                  | $2.1\mu s$ | $10\mu s$ typical              |     |
| Required Input holding time | $0.5\mu s$                  |            | $10\mu s$ minimum              |     |
| OCD output dwell time       | $7\mu s$                    | $14\mu s$  | $10\mu s$ typical              |     |

*Table 22: Comparison between  $OCD_{INT}$  and  $OCD_{EXT}$  performances*

## 15.2. Electrical Specifications

DC Operating Parameters at  $V_{DD} = 5V$  (unless otherwise specified) and for  $T_A$  as specified by the Temperature suffix (K).

| Parameter                            | Symbol             | Test Conditions                | Min | Typ | Max | Units    |
|--------------------------------------|--------------------|--------------------------------|-----|-----|-----|----------|
| OCD_INT Internal ON Resistance       | $R_{ON\_OCD\_INT}$ | $I_{SINK} = 1 \text{ mA}$      | 60  | 90  | 150 | $\Omega$ |
| OCD_EXT Internal ON Resistance       | $R_{ON\_OCD\_EXT}$ | $I_{SINK} = 1 \text{ mA}$      | 160 | 190 | 280 | $\Omega$ |
| VOC_EXT Voltage Range <sup>(1)</sup> | VOC_EXT            | $V_{DD} = 5V / V_{REF} = 2.5V$ | 0.3 |     | 2   | V        |
|                                      |                    | $V_{DD} = 5V / V_{REF} = 0.5V$ | 3   |     | 4.7 | V        |

Table 23:  $OCD_{INT}$  and  $OCD_{EXT}$  electrical specifications

## 15.3. Internal Overcurrent Detection Principle

The internal OCD takes fixed threshold voltage values predefined in the EEPROM and do not require any extra components. The  $OCD_{INT}$  implementation allows detecting overcurrent outside of the output measurement range of the sensor and is therefore suitable for large current peaks as occurring during short-circuit. If the theoretical sensor output overcomes the  $OCD_{INT}$  voltage threshold, the overcurrent event is flagged on  $OCD_{INT}$  pin. The default OCD threshold voltages are defined as follow, but other values can be set on request. The overcurrent threshold in ampere is deduced from the sensitivity of the sensor [mV/A] and the  $OCD_{INT}$  threshold voltage.

|                              | Sensor configuration           | Min. | Max. |
|------------------------------|--------------------------------|------|------|
| $OCD_{INT}$ Threshold [% FS] | $V_{DD} = 5V / V_{REF} = 2.5V$ | 24.4 | 220  |
|                              | $V_{DD} = 5V / V_{REF} = 0.5V$ | 12.2 | 110  |

Table 24:  $OCD_{INT}$  factory programmable range

- (1)  $VOC_{ext}$  defines the  $OCD_{ext}$  threshold. In case of a ratiometric device,  $VOC_{ext}$  should change with  $V_{DD}$  to avoid additional errors.

| Sensor reference    | Sensitivity [mV/A] | OCD <sub>INT</sub> Threshold Current [% FS] | OCD <sub>INT</sub> Threshold Current [A] |
|---------------------|--------------------|---|--|
| MLX91220KDF-ABF-117 | 120                | 87.1  | 14.8                                     |
| MLX91220KDF-ABx-020 | 100                | 111.2                                       | 22.2                                     |
| MLX91220KDx-ABx-025 | 80                 | 111.2                                       | 27.8                                     |
| MLX91220KDx-ABx-050 | 40                 | 111.2                                       | 55.6                                     |
| MLX91220KDx-AUF-050 | 80                 | 110   | 55                                       |
| MLX91220KDC-ABR-030 | 66                 | 112.3                                       | 33.7                                     |
| MLX91220KDF-ABF-075 | 26.7               | 111.2                                       | 83.4                                     |

Table 25: OCD<sub>INT</sub> threshold currents for SOIC-16 versions

## 15.4. External Overcurrent Detection Principle

The external OCD uses the voltage applied on VOC<sub>EXT</sub> pin as threshold voltage. This translates into an overcurrent threshold in ampere depending on the sensitivity of the sensor. A voltage divider on VOC<sub>EXT</sub> allows defining the threshold voltage in a custom way. Depending on the voltage divider configuration, the OCD<sub>EXT</sub> can be used either in bidirectional or unidirectional mode. The External OCD threshold is defined within the measurement range of the sensor output. This feature is then suitable for out-of-range detection where the OCD threshold remains close to the nominal current. It offers a better accuracy than OCD<sub>INT</sub> but the response is slower. The below table presents the unidirectional and bidirectional external OCD configurations. Please refer to section 13.1 and 13.3 for more details about the application diagram and the recommended resistances.

| Bidirectional configuration   | Unidirectional configuration   |
|---|--|
|   |  |
|   |  |
| $VOC_{EXT} = V_{REF} * \frac{R_{ext_{bi}}}{R_{ext} + R_{ext_{bi}}}$ $VLocd = VOC_{EXT}$ $VHocd = 2 * V_{REF} - VLocd$ | $VOC_{EXT} = V_{REF} + (V_{DD} - V_{REF}) * \frac{R_{ext}}{R_{ext} + R_{ext_{uni}}}$ $VHocd = VOC_{EXT}$ |

Table 26: External OCD, bidirectional and unidirectional configurations

## 16. Recommended Application Diagrams

### 16.1. Resistor and Capacitor Values

| Part  | Description                | Value               | Unit |
|---|----------------------------|---------------------|------|
| C <sub>1</sub>  | Supply capacitor, EMI, ESD | 47                  | nF   |
| C <sub>2</sub>  | Decoupling, EMI, ESD       | 47                  | nF   |
| C <sub>3</sub>  | Decoupling, EMI, ESD       | 4.7                 | nF   |
| R <sub>EXT</sub> + R <sub>EXT_BI</sub> / R <sub>EXT_UNI</sub> | External OCD Resistor      | ~200 <sup>(1)</sup> | kΩ   |
| R <sub>EXT_BI</sub> or R <sub>EXT_UNI</sub>                   | External OCD Resistor      | custom              | -    |
| R <sub>5</sub>  | Pull-down resistance       | >10                 | kΩ   |

Table 27: Resistor and Capacitor Values for Recommended Application Diagrams

(1) High impedance needed due to the current source/sink limitation of the V<sub>REF</sub> pin.

### 16.2. SOIC8 Application Diagram

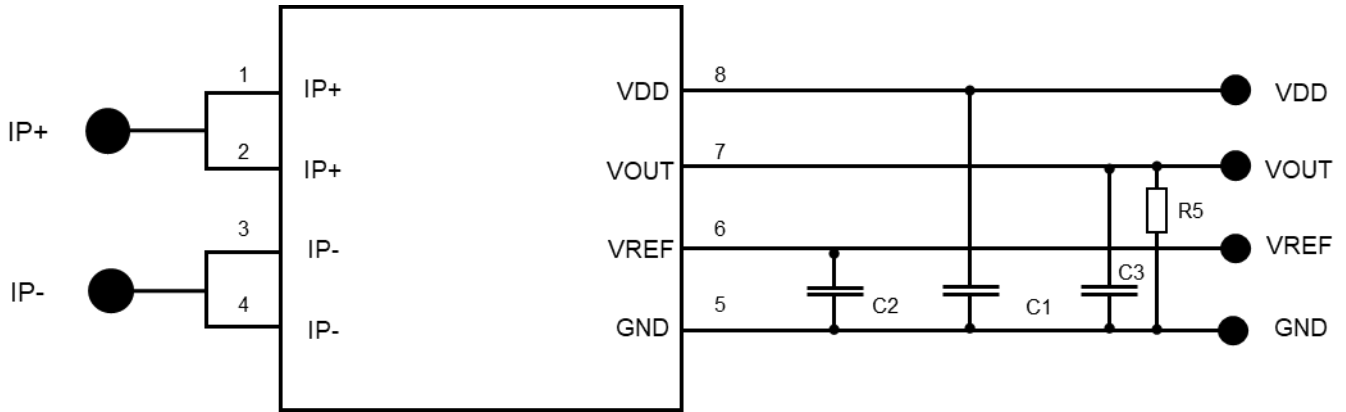


Figure 6: Recommended wiring for the MLX91220 in SOIC-8 package

### 16.3. SOIC16 Application Diagram

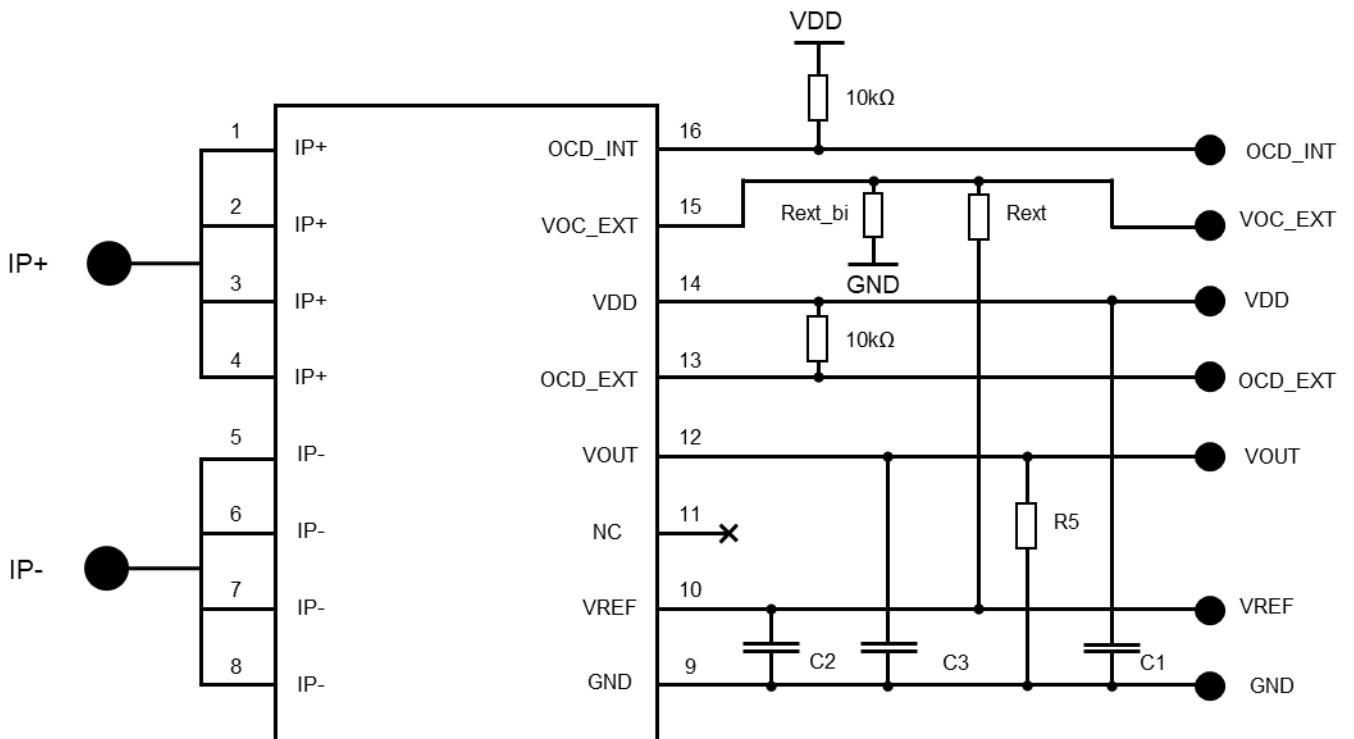


Figure 7: Recommended wiring for the MLX91220 with Bidirectional External OCD

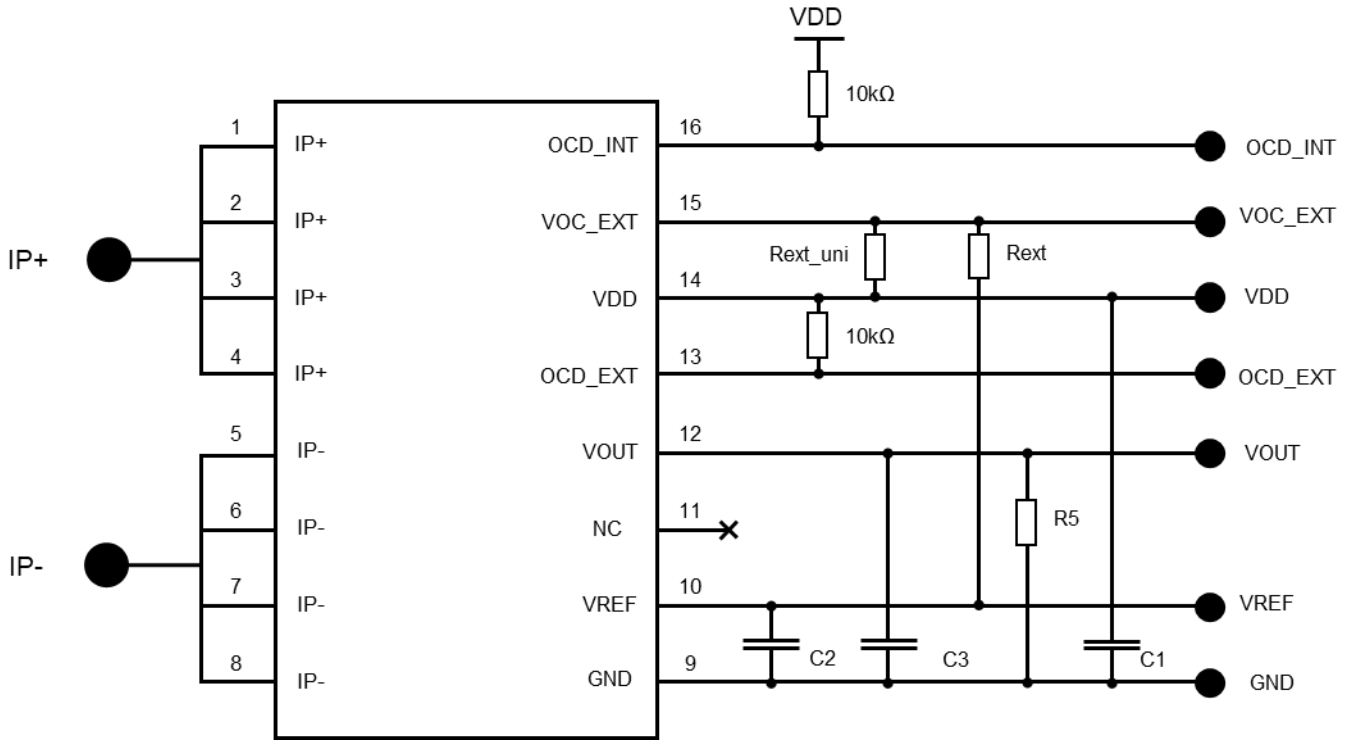


Figure 8: Recommended wiring for the MLX91220 with Unidirectional External OCD

### 16.3.1. OCD functions not used

In case of OCD functions are not needed (internal or external), OCD pins can be connected to GND. Moreover, when OCD\_ext is not needed, VOC\_ext pin should be connected to GND. Figure 9 shows the wiring when both OCD functions are not needed.

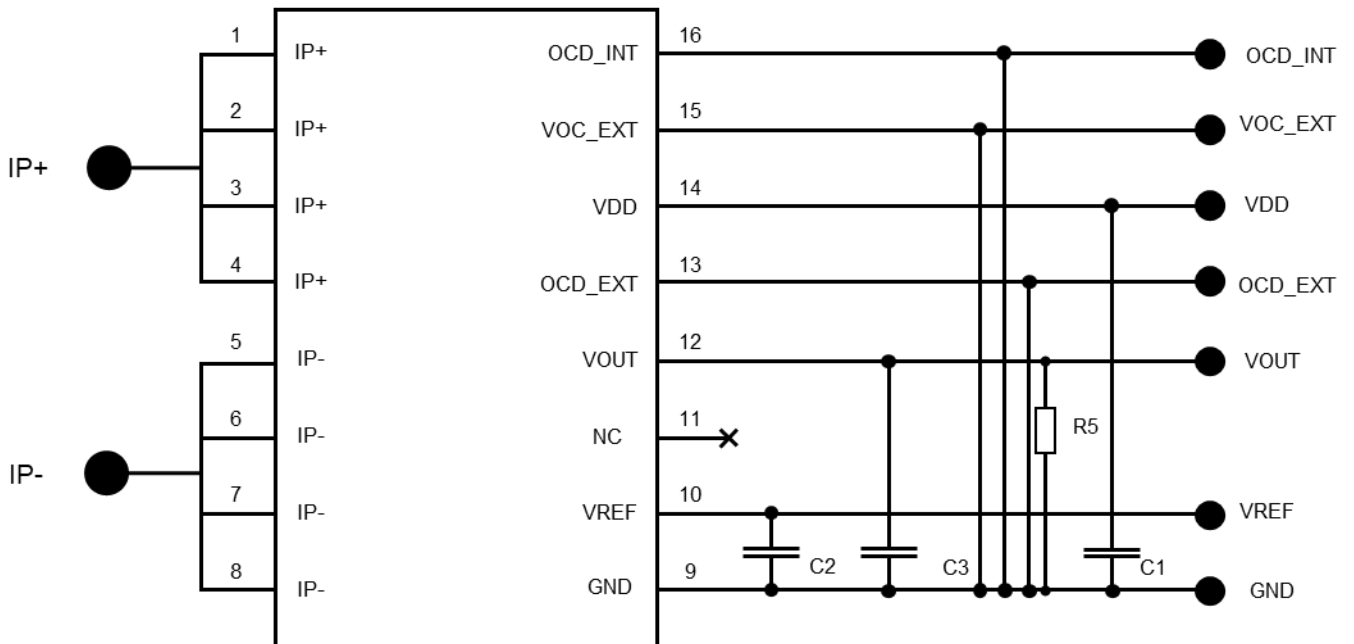


Figure 9 : example of wiring in case of both OCD functions not needed

## 17. Standard information regarding manufacturability with different soldering processes

Our products are classified and qualified regarding soldering technology, solderability and moisture sensitivity level according to following test methods:

### Reflow Soldering SMD's (Surface Mount Devices)

- IPC/JEDEC J-STD-020  
Moisture/Reflow Sensitivity Classification for Nonhermetic Solid State Surface Mount Devices (classification reflow profiles according to table 5-2)
- EIA/JEDEC JESD22-A113  
Preconditioning of Nonhermetic Surface Mount Devices Prior to Reliability Testing (reflow profiles according to table 2)

### Wave Soldering SMD's (Surface Mount Devices) and THD's (Through Hole Devices)

- EN60749-20  
Resistance of plastic- encapsulated SMD's to combined effect of moisture and soldering heat
- EIA/JEDEC JESD22-B106 and EN60749-15  
Resistance to soldering temperature for through-hole mounted devices

### Iron Soldering THD's (Through Hole Devices)

- EN60749-15  
Resistance to soldering temperature for through-hole mounted devices

### Solderability SMD's (Surface Mount Devices) and THD's (Through Hole Devices)

- EIA/JEDEC JESD22-B102 and EN60749-21  
Solderability

For all soldering technologies deviating from above mentioned standard conditions (regarding peak temperature, temperature gradient, temperature profile etc) additional classification and qualification tests have to be agreed upon with Melexis.

The application of Wave Soldering for SMD's is allowed only after consulting Melexis regarding assurance of adhesive strength between device and board.

Melexis recommends reviewing on our web site the General Guidelines soldering recommendation (<https://www.melexis.com/en/quality-environment/soldering>).

Melexis is contributing to global environmental conservation by promoting **lead free** solutions. For more information on qualifications of **RoHS** compliant products (RoHS = European directive on the Restriction Of the use of certain Hazardous Substances) please visit the quality page on our website (<https://www.melexis.com/en/quality-environment>).

## 18. ESD Precautions

Electronic semiconductor products are sensitive to Electro Static Discharge (ESD).

Always observe Electro Static Discharge control procedures whenever handling semiconductor products.



| Parameter                           | Symbol      | Test Method        | Value | Unit |
|-------------------------------------|-------------|--------------------|-------|------|
| Human Body ESD Protection           | $ESD_{HBM}$ | AEC-Q100-002 Rev D | 2     | kV   |
| Charged Device Model ESD Protection | $ESD_{CDM}$ | AEC-Q100-011 Rev B | 500   | V    |

Table 28: Electrostatic Discharge Ratings

## 19. Package Information

### 19.1. SOIC-8 150mils- Package Dimensions

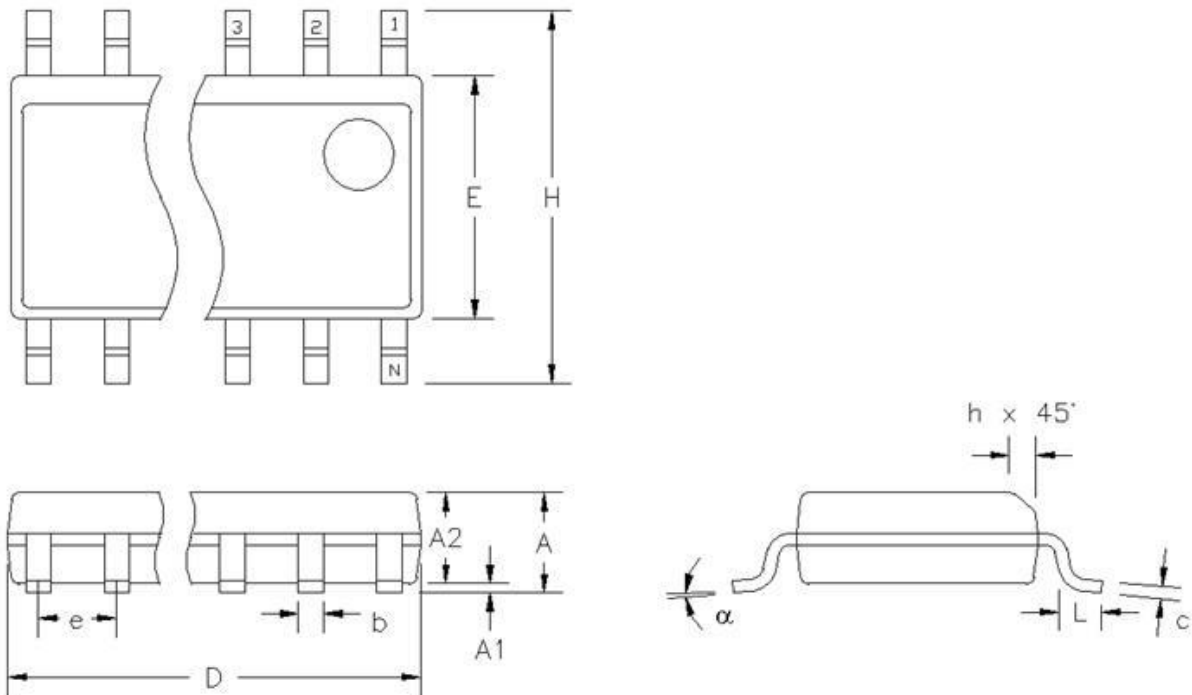


Figure 10 : SOIC8 Package Dimensions

| [mm] | A    | A1   | A2   | D    | E    | H    | L    | b    | c    | e    | h    | ⊘  |
|------|------|------|------|------|------|------|------|------|------|------|------|----|
| min  | 1.52 | 0.10 | 1.37 | 4.80 | 3.81 | 5.80 | 0.41 | 0.35 | 0.19 | 1.27 | 0.25 | 0° |
| max  | 1.73 | 0.25 | 1.57 | 4.98 | 3.99 | 6.20 | 1.27 | 0.49 | 0.25 | BSC  | 0.50 | 8° |

| [inch] | A    | A1   | A2   | D    | E    | H    | L    | b    | c    | e    | h    | ⊘  |
|--------|------|------|------|------|------|------|------|------|------|------|------|----|
| min    | .060 | .004 | .054 | .189 | .150 | .228 | .016 | .014 | .008 | .050 | .010 | 0° |
| max    | .068 | .010 | .062 | .196 | .157 | .244 | .050 | .019 | .010 | BSC  | .020 | 8° |

Table 29: SOIC8 package dimensions in millimeters and inches

### 19.2. SOIC-16 300mils- Package Dimensions

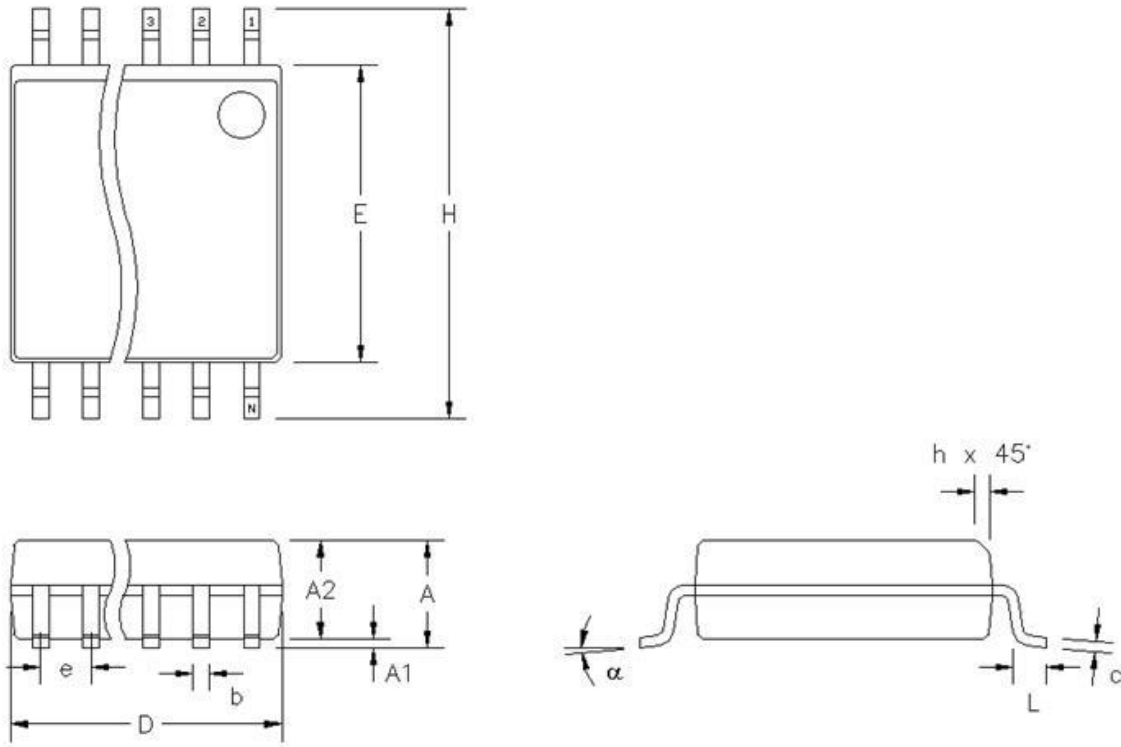


Figure 11: SOIC16 Package Dimensions

| [mm] | A    | A1   | A2   | D     | E    | H     | L    | b    | c    | e    | h    | ⊘  |
|------|------|------|------|-------|------|-------|------|------|------|------|------|----|
| min  | 2.44 | 0.10 | 2.24 | 10.11 | 7.40 | 10.11 | 0.51 | 0.35 | 0.23 | 1.27 | 0.25 | 0° |
| max  | 2.64 | 0.30 | 2.44 | 10.46 | 7.60 | 10.51 | 1.02 | 0.48 | 0.32 | BSC  | 0.71 | 8° |

| [inch] | A    | A1   | A2   | D    | E    | H    | L    | b    | c    | e    | h    | ⊙  |
|--------|------|------|------|------|------|------|------|------|------|------|------|----|
| min    | .096 | .004 | .088 | .398 | .291 | .398 | .020 | .014 | .009 | .050 | .010 | 0° |
| max    | .104 | .012 | .096 | .412 | .299 | .414 | .040 | .019 | .013 | BSC  | .028 | 8° |

*Table 30: SOIC16 package dimensions in millimeters and inches*



## 21. Disclaimer

*The content of this document is believed to be correct and accurate. However, the content of this document is furnished "as is" for informational use only and no representation, nor warranty is provided by Melexis about its accuracy, nor about the results of its implementation. Melexis assumes no responsibility or liability for any errors or inaccuracies that may appear in this document. Customer will follow the practices contained in this document under its sole responsibility. This documentation is in fact provided without warranty, term, or condition of any kind, either implied or expressed, including but not limited to warranties of merchantability, satisfactory quality, non-infringement, and fitness for purpose. Melexis, its employees and agents and its affiliates' and their employees and agents will not be responsible for any loss, however arising, from the use of, or reliance on this document. Notwithstanding the foregoing, contractual obligations expressly undertaken in writing by Melexis prevail over this disclaimer.*

*This document is subject to change without notice, and should not be construed as a commitment by Melexis. Therefore, before placing orders or prior to designing the product into a system, users or any third party should obtain the latest version of the relevant information. Users or any third party must determine the suitability of the product described in this document for its application, including the level of reliability required and determine whether it is fit for a particular purpose.*

*This document as well as the product here described may be subject to export control regulations. Be aware that export might require a prior authorization from competent authorities. The product is not designed, authorized or warranted to be suitable in applications requiring extended temperature range and/or unusual environmental requirements. High reliability applications, such as medical life-support or life-sustaining equipment or avionics application are specifically excluded by Melexis. The product may not be used for the following applications subject to export control regulations: the development, production, processing, operation, maintenance, storage, recognition or proliferation of:*

- 1. chemical, biological or nuclear weapons, or for the development, production, maintenance or storage of missiles for such weapons;*
- 2. civil firearms, including spare parts or ammunition for such arms;*
- 3. defense related products, or other material for military use or for law enforcement;*
- 4. any applications that, alone or in combination with other goods, substances or organisms could cause serious harm to persons or goods and that can be used as a means of violence in an armed conflict or any similar violent situation.*

*No license nor any other right or interest is granted to any of Melexis' or third party's intellectual property rights.*

*If this document is marked "restricted" or with similar words, or if in any case the content of this document is to be reasonably understood as being confidential, the recipient of this document shall not communicate, nor disclose to any third party, any part of the document without Melexis' express written consent. The recipient shall take all necessary measures to apply and preserve the confidential character of the document. In particular, the recipient shall (i) hold document in confidence with at least the same degree of care by which it maintains the confidentiality of its own proprietary and confidential information, but no less than reasonable care; (ii) restrict the disclosure of the document solely to its employees, agents, professional advisors and contractors for the purpose for which this document was received, on a strictly need to know basis and providing that such persons to whom the document is disclosed are bound by confidentiality terms substantially similar to those in this disclaimer; (iii) use the document only in connection with the purpose for which this document was received, and reproduce document only to the extent necessary for such purposes; (iv) not use the document for commercial purposes or to the detriment of Melexis or its customers. The confidentiality obligations set forth in this disclaimer will have indefinite duration and in any case they will be effective for no less than 10 years from the receipt of this document.*

*This disclaimer will be governed by and construed in accordance with Belgian law and any disputes relating to this disclaimer will be subject to the exclusive jurisdiction of the courts of Brussels, Belgium.*

*The invalidity or ineffectiveness of any of the provisions of this disclaimer does not affect the validity or effectiveness of the other provisions. The previous versions of this document are repealed.*

*Melexis © - No part of this document may be reproduced without the prior written consent of Melexis. (2024)*

*IATF 16949 and ISO 14001 Certified*

**For the latest version of this document or find your local contact, visit us at**  
<https://www.melexis.com/en/product/MLX91220>

## Looking for pricing, stock, or lifecycle information?

Click below to explore more details on WIN SOURCE:

- [View MLX91220KDC-ABR-025-RE on WIN SOURCE](#)
- [Melexis Technologies NV Information](#)

## Optimize Your Supply Chain with WIN SOURCE Solutions

- ✓ Global Sourcing Solution
- ✓ Obsolete Management
- ✓ Cost Control Management
- ✓ Shortage Management
- ✓ Alternative Solution
- ✓ Excess Inventory Management