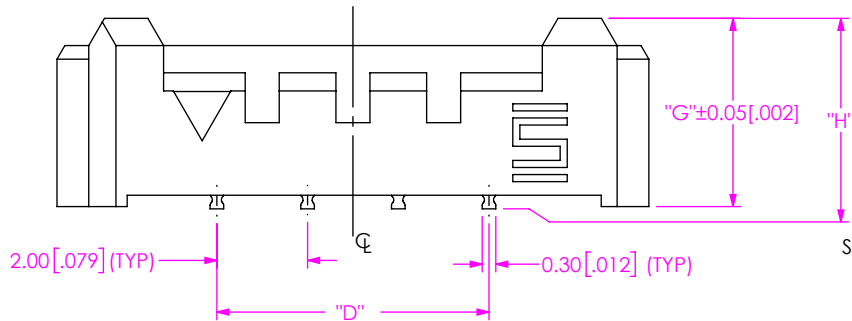
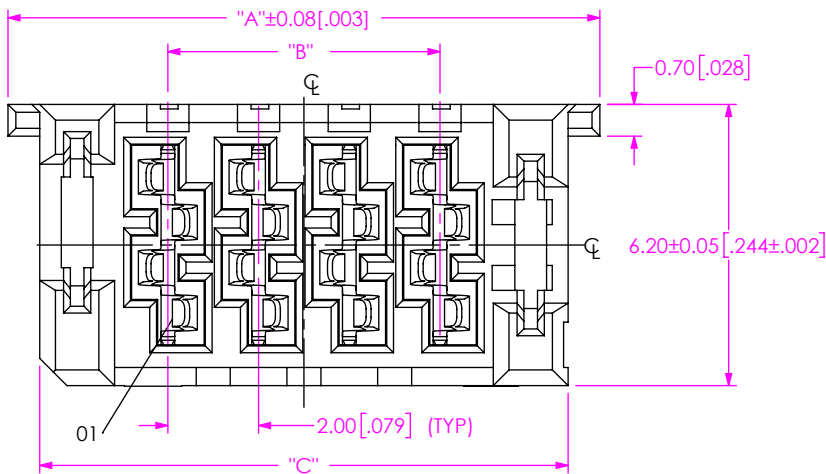




**DESIGNED AND DIMENSIONED IN MILLIMETERS [INCHES]  
ALL DIMENSIONS REFERENCE EXCEPT AS SHOWN**

DO NOT SCALE FROM THIS PRINT



**UMPS-XX-XX.X-XX-V-X-X-XR**

**NO. OF POSITIONS**  
-02, -03, -04, -05,  
-06, -07, -08, -09, -10

**TAPE & REEL**  
-TR: TAPE & REEL  
-FR: FULL REEL QTY TAPE & REEL

**LEAD STYLE**  
-03.5: 3.5 mm  
-05.5: 5.5 mm  
-07.5: 7.5mm

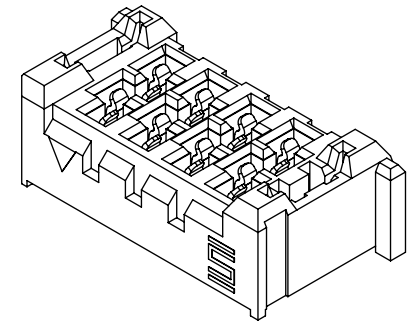
**WELD TAB OPTIONS**  
(LEAVE BLANK FOR NO WELD TAB)  
\*\*-W: WELD TAB THROUGH HOLE

**TAIL**  
\*\*-S: SURFACE MOUNT  
\*-1: THROUGH HOLE FOR 1.57 [.062]PCB  
\*-2: THROUGH HOLE FOR 2.36 [.093]PCB

**PLATING**  
-T: MATTE TIN  
-G: 10µ" SELECTIVE GOLD IN CONTACT AREA, 3µ" GOLD ON TAIL, MATTE TIN ON THE WELD TAB  
-L: 10µ" SELECTIVE GOLD IN CONTACT AREA, MATTE TIN ON TAIL, MATTE TIN ON THE WELD TAB  
-S: 30µ" SELECTIVE GOLD IN CONTACT AREA, MATTE TIN ON TAIL, MATTE TIN ON THE WELD TAB  
-SL: 30µ" SELECTIVE GOLD ON CONTACT AREA, TIN-LEAD ON TAIL, TIN-LEAD ON THE WELD TAB

**ORIENTATION**  
\*\*-V: VERTICAL

(\* = NOT TOOLED)  
(\*\* = SEE NOTE 7)



**FIG 1**  
UMPS-04-03.5-XX-V-S SHOWN

TABLE 2 STACK HEIGHT			
UMPT LEAD STYLE	UMPS LEAD STYLE		
	-03.5	-05.5	-07.5
-01.5	5.00 [0.197]	7.00 [0.276]	9.00 [0.354]
-02.5	6.00 [0.236]	8.00 [0.315]	10.00 [0.394]
-06.5	10.00 [0.394]	12.00 [0.472]	14.00 [0.551]
-07.5	11.00 [0.433]	13.00 [0.512]	15.00 [0.591]
-12.5	16.00 [0.630]	18.00 [0.709]	20.00 [0.787]

TABLE 3			
LEAD STYLE	"G"	"H"	"J"
-03.5	4.15 [0.163]	4.20 [0.165]	3.68 [0.145]
-05.5	6.15 [0.242]	6.20 [0.244]	5.68 [0.224]
-07.5	8.15 [0.321]	8.20 [0.323]	7.68 [0.302]

TABLE 1					
No OF POSITION	"A"	"B"	"C"	"D"	"E"
-02	9.05 [.356]	2.00 [.079]	7.65 [.301]	2.00 [.079]	6.00 [.236]
-03	11.05 [.435]	4.00 [.157]	9.65 [.380]	4.00 [.157]	8.00 [.315]
-04	13.05 [.514]	6.00 [.236]	11.65 [.459]	6.00 [.236]	10.00 [.394]
-05	15.05 [.593]	8.00 [.315]	13.65 [.537]	8.00 [.315]	12.00 [.472]
-06	17.05 [.671]	10.00 [.394]	15.65 [.616]	10.00 [.394]	14.00 [.551]
-07	19.05 [.750]	12.00 [.472]	17.65 [.695]	12.00 [.472]	16.00 [.630]
-08	21.05 [.829]	14.00 [.551]	19.65 [.774]	14.00 [.551]	18.00 [.709]
-09	23.05 [.907]	16.00 [.630]	21.65 [.852]	16.00 [.630]	20.00 [.787]
-10	25.05 [.986]	18.00 [.709]	23.65 [.931]	18.00 [.709]	22.00 [.866]

- NOTES:  
1. NOTE DELETED.  
2. NOTE DELETED.  
3. NOTE DELETED.  
4. HOLES IN THE SURFACE MOUNT TAILS MAY OR MAY NOT BE PRESENT, AT SAMTEC DISCRETION.  
5. ORDERS WILL BE PACKAGED ACCORDING TO THE SAMTEC PACKAGING EFFICIENCY STANDARDS (SPES) FOUND ON WWW.SAMTEC.COM.  
6. ATTACH LABEL -4X2 TO EACH REEL.  
7. PREVIOUS OPTIONS -VT, -SM, & -WT AVAILABLE FOR EXISTING CUSTOMERS ONLY.  
8. K DOT SUPPLIED AS STANDARD; -K AVAILABLE TO EXISTING CUSTOMERS ONLY WITH UMPS-XX-XX.X-X-VT-SM-XX-K PART NUMBERS.

**PROPRIETARY NOTE**  
THIS DOCUMENT CONTAINS CONFIDENTIAL AND PROPRIETARY INFORMATION AND ALL DESIGN, MANUFACTURING, REPRODUCTION, USE, PATENT RIGHTS AND SALES RIGHTS ARE EXPRESSLY RESERVED BY SAMTEC, INC. THIS DOCUMENT SHALL NOT BE DISCLOSED, IN WHOLE OR PART, TO ANY UNAUTHORIZED PERSON OR ENTITY NOR REPRODUCED, TRANSFERRED OR INCORPORATED IN ANY OTHER PROJECT IN ANY MANNER WITHOUT THE EXPRESS WRITTEN CONSENT OF SAMTEC, INC.

DO NOT SCALE DRAWING  
SHEET SCALE: 6:1

MATERIAL:  
INSULATOR: LCP  
CONTACT: COPPER ALLOY  
WELD TAB: COPPER ALLOY

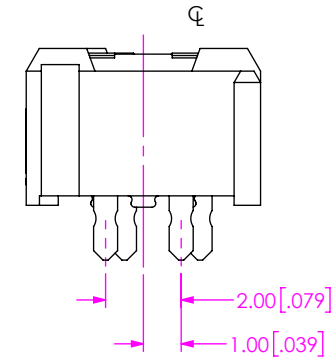
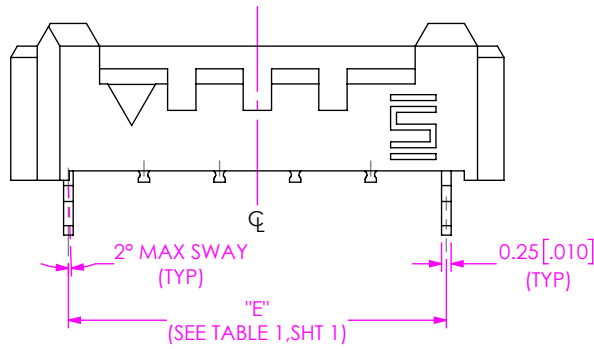
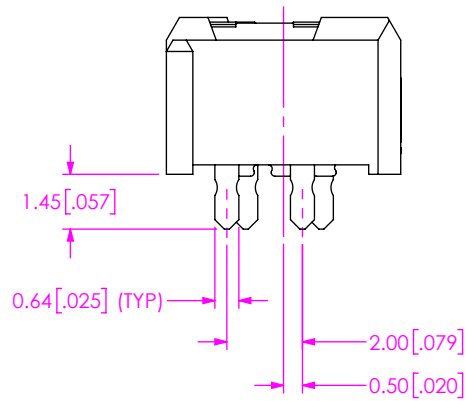
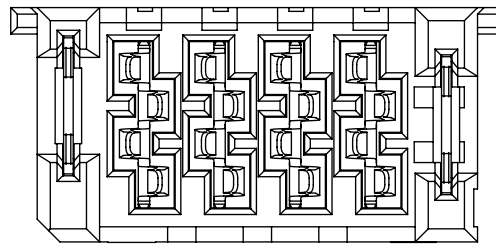


520 PARK EAST BLVD, NEW ALBANY, IN 47150  
PHONE: 812-944-6733 FAX: 812-948-5047  
e-Mail: info@SAMTEC.com code 55322

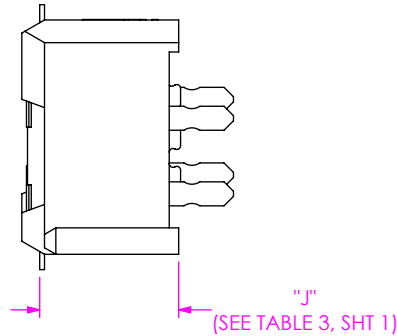
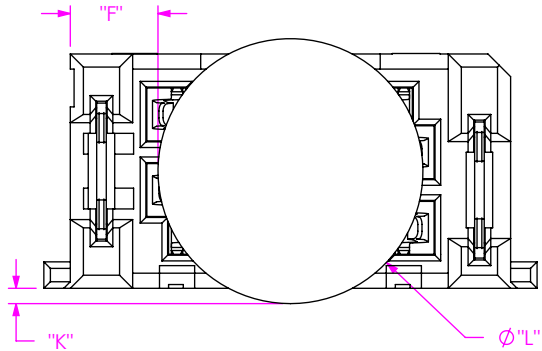
DESCRIPTION:  
ULTRA MICRO POWER SOCKET

DWG. NO.  
UMPS-XX-XX.X-XX-V-X-X-XR

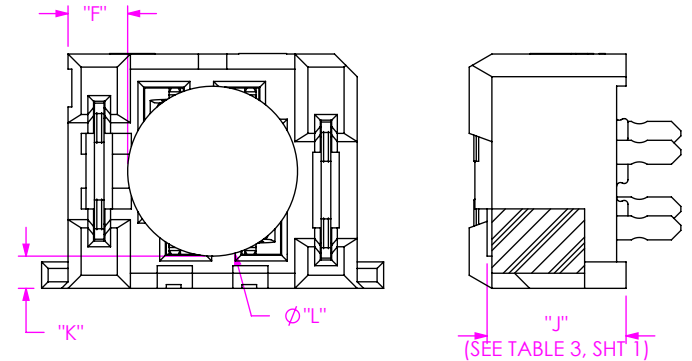
BY: JOE Z 03/22/2017 SHEET 1 OF 2



**FIG 2**  
UMPS-04-03.5-XX-V-S-W SHOWN  
(DIFFERENT AS SHOWN, OTHERWISE SAME AS FIG 1)



**FIG 3**  
UMPS-04-03.5-XX-V-S-W SHOWN  
(DIFFERENT AS SHOWN, OTHERWISE SAME AS FIG 2)



**FIG 4**  
UMPS-02-03.5-XX-V-S-W SHOWN  
(DIFFERENT AS SHOWN, OTHERWISE SAME AS FIG 2)

**TABLE 4**

No OF POSITION	"F"	"K"	"L"
-02	1.58 [.062]	0.85 [.034]	4.50 [.177]
-03	1.57 [.062]	0.15 [.006]	6.50 [.256]
-04	2.32 [.091]	0.41 [.016]	7.01 [.276]
-05	3.32 [.131]	0.41 [.016]	7.01 [.276]
-06	4.32 [.170]	0.41 [.016]	7.01 [.276]
-07	5.32 [.209]	0.41 [.016]	7.01 [.276]
-08	6.32 [.249]	0.41 [.016]	7.01 [.276]
-09	7.32 [.288]	0.41 [.016]	7.01 [.276]
-10	8.32 [.328]	0.41 [.016]	7.01 [.276]

**PROPRIETARY NOTE**  
THIS DOCUMENT CONTAINS CONFIDENTIAL AND PROPRIETARY INFORMATION AND ALL DESIGN, MANUFACTURING, REPRODUCTION, USE, PATENT RIGHTS AND SALES RIGHTS ARE EXPRESSLY RESERVED BY SAMTEC, INC. THIS DOCUMENT SHALL NOT BE DISCLOSED, IN WHOLE OR PART, TO ANY UNAUTHORIZED PERSON OR ENTITY NOR REPRODUCED, TRANSFERRED OR INCORPORATED IN ANY OTHER PROJECT IN ANY MANNER WITHOUT THE EXPRESS WRITTEN CONSENT OF SAMTEC, INC.



520 PARK EAST BLVD, NEW ALBANY, IN 47150  
PHONE: 812-944-6733 FAX: 812-948-5047  
e-Mail info@SAMTEC.com code 55322

DO NOT SCALE DRAWING

SHEET SCALE: 2:1

DESCRIPTION:  
ULTRA MICRO POWER SOCKET

DWG. NO.  
UMPS-XX-XX.X-XX-V-X-X-XR

BY: JOE Z 03/22/2017 SHEET 2 OF 2

## Looking for pricing, stock, or lifecycle information?

Click below to explore more details on WIN SOURCE:

 [View TSR 2-24150 on WIN SOURCE](#)

 [Traco Power Information](#)

## Optimize Your Supply Chain with WIN SOURCE Solutions

-  Global Sourcing Solution
-  Obsolete Management
-  Cost Control Management
-  Shortage Management
-  Alternative Solution
-  Excess Inventory Management