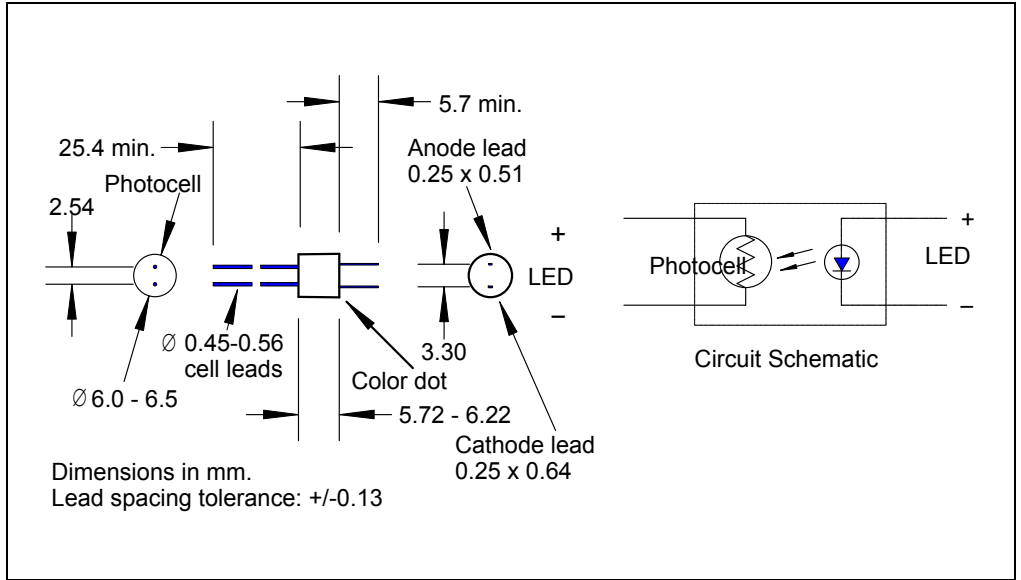
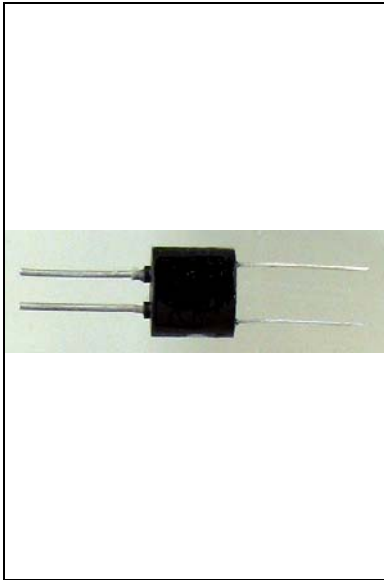




**THE DATASHEET OF  
NSL-32SR2S**





**DESCRIPTION**

This optocoupler consists of an LED input optically coupled to a photocell. The photocell resistance is high when the LED current is “off” and low resistance when the LED current is “on”.

**RELIABILITY**

Contact Luna for recommendations on specific test conditions and procedures.

**FEATURES**

- Compact, moisture resistant package
- Low LED current
- Very low “on” resistance
- Passive resistance output
- Low distortion

**APPLICATIONS**

- Industrial

**ABSOLUTE MAXIMUM RATINGS**

SYMBOL	MIN		MAX	UNITS	
Isolation Voltage	-	-	2000	V	T <sub>a</sub> = 23°C UNLESS OTHERWISE NOTED
Operating Temperature	-40	to	+75	°C	Non condensing
Soldering Temperature	-40	-	+75	°C	-
Soldering Temperature	-	-	+260	°C	>2 mm from case for < 5 sec.

**NOTE:**

1. Measure after 1 minute ON @ I<sub>F</sub> = 20mA and followed by 10 sec OFF
2. Print “NSL-32SR2” followed by a letter A to G and date code YYWW
3. Package in ranges individual ranges not available separately. Range distribution is not guaranteed

**OPTO-ELECTRICAL PARAMETERS**

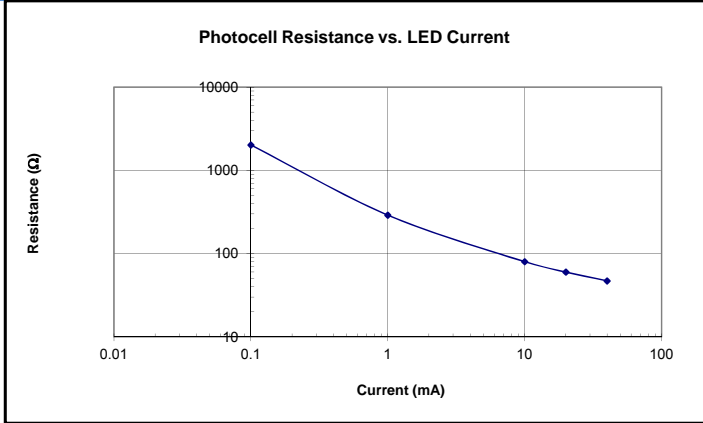
$T_a = 23^{\circ}\text{C}$  UNLESS NOTED OTHERWISE

PARAMETER	TEST CONDITIONS	MIN	TYP	MAX	UNITS
<b>LED</b>					
Forward Current	-	-	-	25	mA
Forward Voltage	$I_f = 20 \text{ mA}$	-	-	2.5	V
Reverse Current	$V_R = 4\text{V}$	-	-	10	$\mu\text{A}$
<b>CELL</b>					
Maximum Cell Voltage	(Peak AC or DC)	-	-	60	V
Power Dissipation	Derate linearly to 0 at $75^{\circ}\text{C}$	-	-	50	mW
<b>COUPLED</b>					
On Resistance	$I_f = 20 \text{ mA}$	-	-	40	$\Omega$
R2A	$I_f = 1 \text{ mA}$ (guaranteed $\pm 1$ range)	100	-	124	$\Omega$
R2B	-	124	-	150	$\Omega$
R2C	-	150	-	177	$\Omega$
R2D	-	177	-	205	$\Omega$
R2E	-	205	-	234	$\Omega$
R2F	-	234	-	266	$\Omega$
R2G	-	266	-	300	$\Omega$
Off Resistance <sup>1</sup>	10 sec after $I_f = 0 \text{ mA}$	1	5	-	M $\Omega$
Rise Time	Time to reach 63% of final conductive @ $I_f = 16\text{mA}$	-	5	-	m sec
Decay Time	Time to reach 100K $\Omega$ from removal of $I_f = 16\text{mA}$	-	80	-	msec
Cell Temp. Coefficient	$I_f > 5\text{mA}$	-	0.7	-	%/ $^{\circ}\text{C}$

**NOTE:**



1. Measure after 1 minute ON @  $I_f = 20\text{mA}$  and followed by 10 sec OFF
2. Print "NSL-32SR2" followed by a letter A to G and date code YYWW
3. Package in ranges individual ranges not available separately. Range distribution is not guaranteed

TYPICAL PERFORMANCE



## Looking for pricing, stock, or lifecycle information?

Click below to explore more details on WIN SOURCE:

-  [View NSL-32SR2S on WIN SOURCE](#)
-  [Advanced Photonix, Inc. Information](#)

## Optimize Your Supply Chain with WIN SOURCE Solutions

-  Global Sourcing Solution
-  Obsolete Management
-  Cost Control Management
-  Shortage Management
-  Alternative Solution
-  Excess Inventory Management