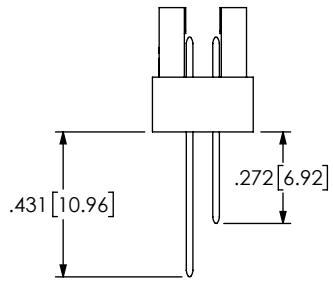




**THE DATASHEET OF  
IN-S42ATUW**







-RA IN PROCESS

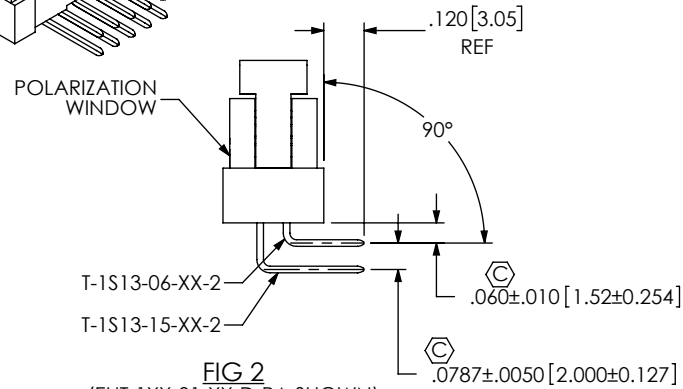
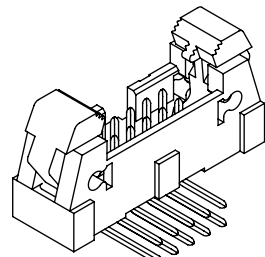
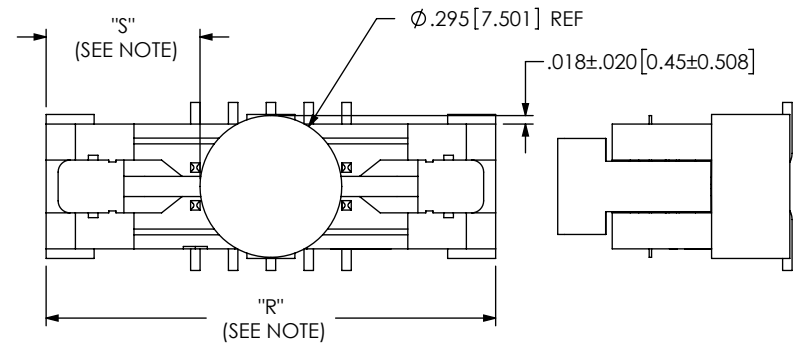
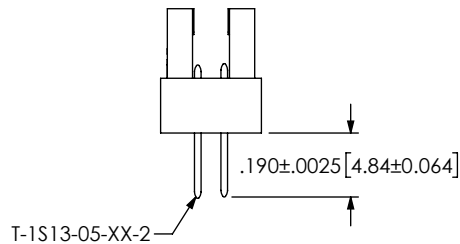


FIG 2  
(EHT-1XX-01-XX-D-RA SHOWN)  
RIGHT ANGLE  
(DIFFERENT AS SHOWN, OTHERWISE SAME AS FIG 1)

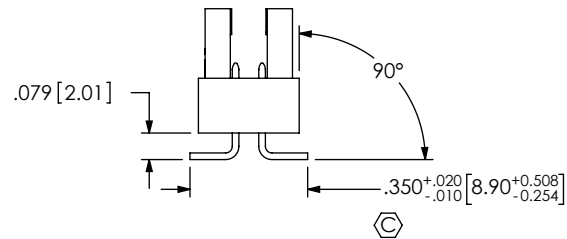


NOTE: "R" = USE MEASURED DIMENSION (REF)  
"S" = {"R" - .2953[7.50]} / 2 ± .020[0.51]

FIG 3  
(EHT-105-01-XX-D-SM-K SHOWN)  
-K OPTION (K-DOT-.295-.406-.005)  
(DIFFERENT AS SHOWN, OTHERWISE SAME AS FIG 1)

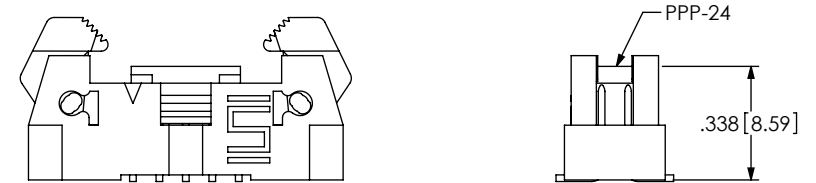
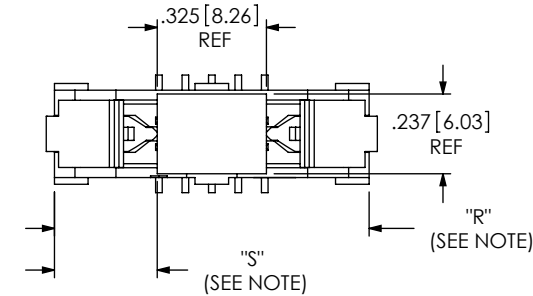


-SM IN-PROCESS 1



-SM IN-PROCESS 2

NOTE: "R" = USE MEASURED DIMENSION (REF)  
"S" = {"R" - .325[8.26]} / 2 ± .020[0.51]



(LATCH EHA-01 REMOVED FOR CLARITY)  
FIG 5  
(EHT-105-01-XX-D-SM-P SHOWN)  
PICK AND PLACE PAD  
(DIFFERENT AS SHOWN, OTHERWISE SAME AS FIG 1)

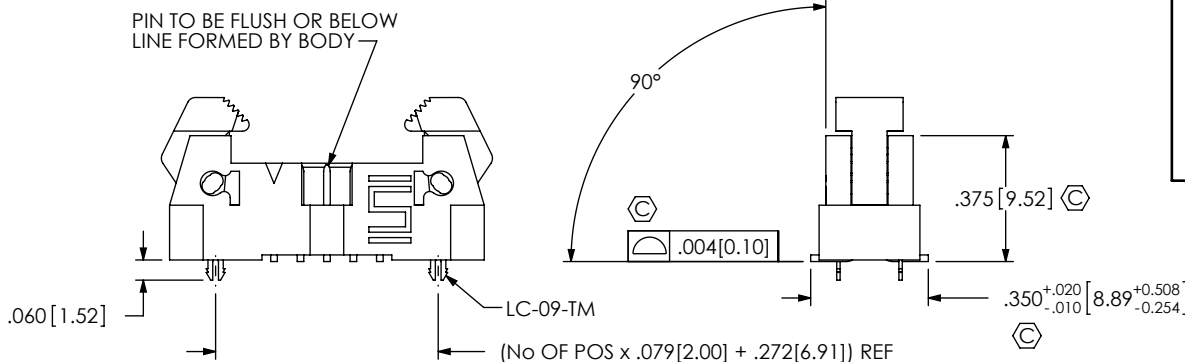


FIG 4  
(EHT-105-01-XX-D-SM-LC SHOWN)  
SURFACE MOUNT VERSION  
(DIFFERENT AS SHOWN, OTHERWISE SAME AS FIG 1)

PROPRIETARY NOTE  
THIS DOCUMENT CONTAINS CONFIDENTIAL AND PROPRIETARY INFORMATION AND ALL DESIGN, MANUFACTURING, REPRODUCTION, USE, PATENT RIGHTS AND SALES RIGHTS ARE EXPRESSLY RESERVED BY SAMTEC, INC. THIS DOCUMENT SHALL NOT BE DISCLOSED, IN WHOLE OR PART, TO ANY UNAUTHORIZED PERSON OR ENTITY NOR REPRODUCED, TRANSFERRED OR INCORPORATED IN ANY OTHER PROJECT IN ANY MANNER WITHOUT THE EXPRESS WRITTEN CONSENT OF SAMTEC, INC.

DO NOT SCALE DRAWING

SHEET SCALE: 1:0.571429



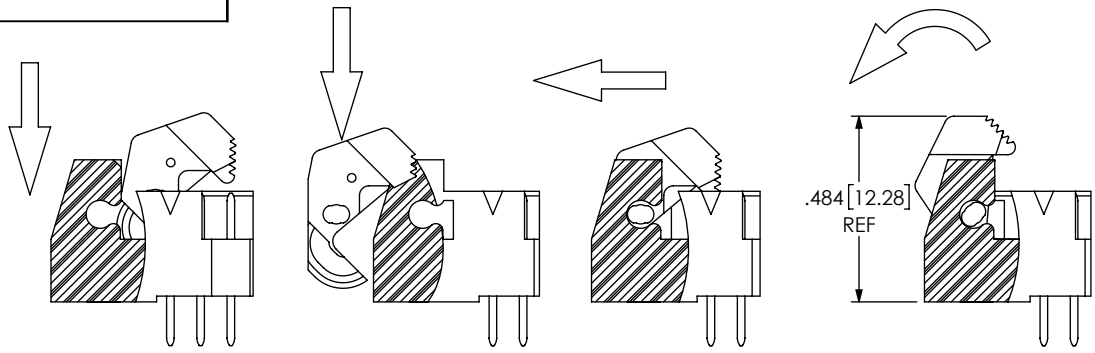
520 PARK EAST BLVD, NEW ALBANY, IN 47150  
PHONE: 812-944-6733 FAX: 812-948-5047  
e-Mail: info@SAMTEC.com code: 55322

DESCRIPTION:  
2MM EJECTOR HEADER ASSEMBLY

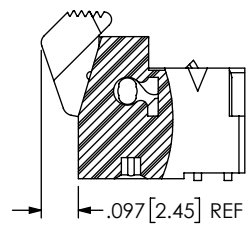
DWG. NO.  
EHT-1XX-01-XX-D-XX-XX-XX-X-XX

BY: PURVIS 02/28/1994 SHEET 2 OF 3

REVISION BN



IN-PROCESS  
ARM ASSEMBLY & ROTATION



LATCH OPEN VIEW

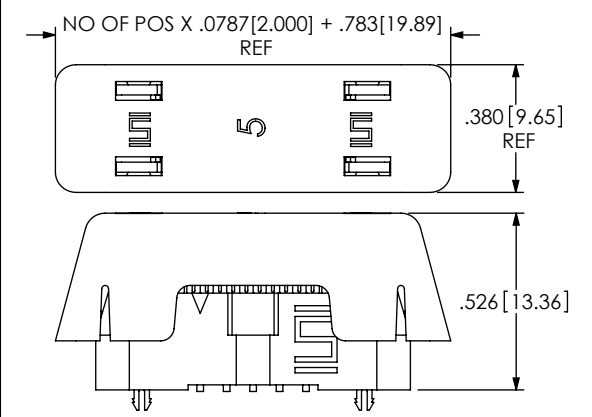
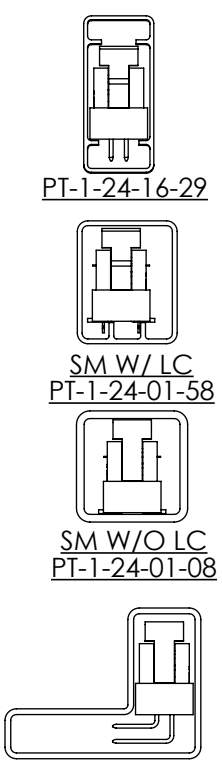
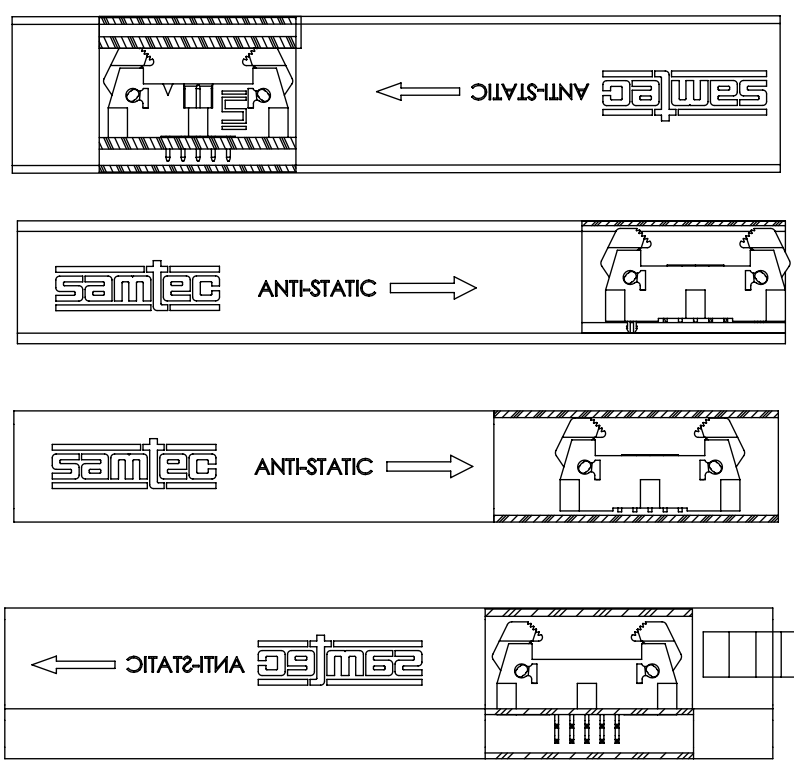
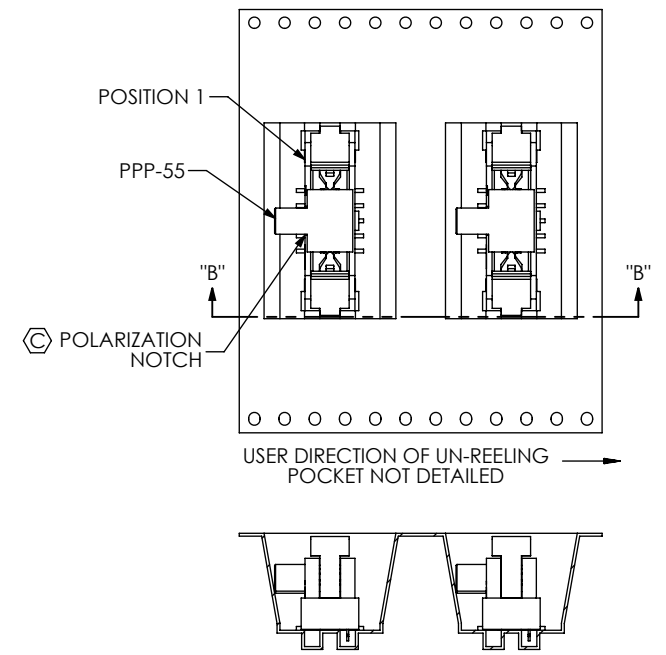


FIG 6  
APPLICATION VIEW  
EHT MATED TO TCSD AND EC2



ASP-90341-01-S

FIG 7  
PACKAGING VIEWS



SECTION "B"-"B"  
SCALE 1:1

TABLE 1		
STYLE	TUBE	PLUG
STRAIGHT	PT-1-24-16-29	TP-13
RIGHT ANGLE	ASP-90341-01-S	TP-13
-SM-P-LC, -SM-K-LC, -SM-LC	PT-1-24-01-58	TP-13
-SM-P, -SM-K, -SM	PT-1-24-01-08	TP-13

**PROPRIETARY NOTE**  
THIS DOCUMENT CONTAINS CONFIDENTIAL AND PROPRIETARY INFORMATION AND ALL DESIGN, MANUFACTURING, REPRODUCTION, USE, PATENT RIGHTS AND SALES RIGHTS ARE EXPRESSLY RESERVED BY SAMTEC, INC. THIS DOCUMENT SHALL NOT BE DISCLOSED, IN WHOLE OR PART, TO ANY UNAUTHORIZED PERSON OR ENTITY NOR REPRODUCED, TRANSFERRED OR INCORPORATED IN ANY OTHER PROJECT IN ANY MANNER WITHOUT THE EXPRESS WRITTEN CONSENT OF SAMTEC, INC.

DO NOT SCALE DRAWING  
SHEET SCALE: 2:1



520 PARK EAST BLVD, NEW ALBANY, IN 47150  
PHONE: 812-944-6733 FAX: 812-948-5047  
e-Mail: info@SAMTEC.com code: 55322

DESCRIPTION:  
2MM EJECTOR HEADER ASSEMBLY  
DWG. NO.  
EHT-1XX-01-XX-D-XX-XX-XX-X-XX  
BY: PURVIS 02/28/1994 SHEET 3 OF 3

## Looking for pricing, stock, or lifecycle information?

Click below to explore more details on WIN SOURCE:

 [View IN-S42ATUW on WIN SOURCE](#)

 [Inolux Information](#)

## Optimize Your Supply Chain with WIN SOURCE Solutions

-  Global Sourcing Solution
-  Obsolete Management
-  Cost Control Management
-  Shortage Management
-  Alternative Solution
-  Excess Inventory Management