



**THE DATASHEET OF
IPBT-103-H1-T-S-K**



DO NOT SCALE FROM THIS PRINT

IPBT-1XX-XX-XX-S-XX

No OF POSITIONS
-02 THRU -10

OPTION

- RA: RIGHT ANGLE (SEE FIG 2, SHT 2) [STYLE -H2 NOT AVAILABLE]
- GP: GUIDE POSTS (USE IPBT-XX-S-GP, SEE FIG 4, SHT 3)
- *-K: KEYED POLARIZATION (USE IPBT-XX-S-K) (SEE FIG 5, SHT 2) (NOT AVAILABLE W/-GP OPTION)

ROW SPECIFICATION

-S: SINGLE (USE IPBT-XX-S)

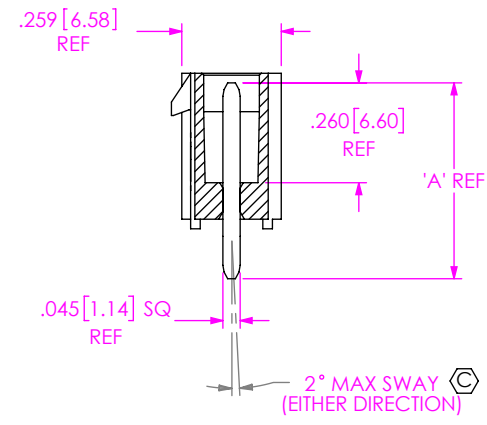
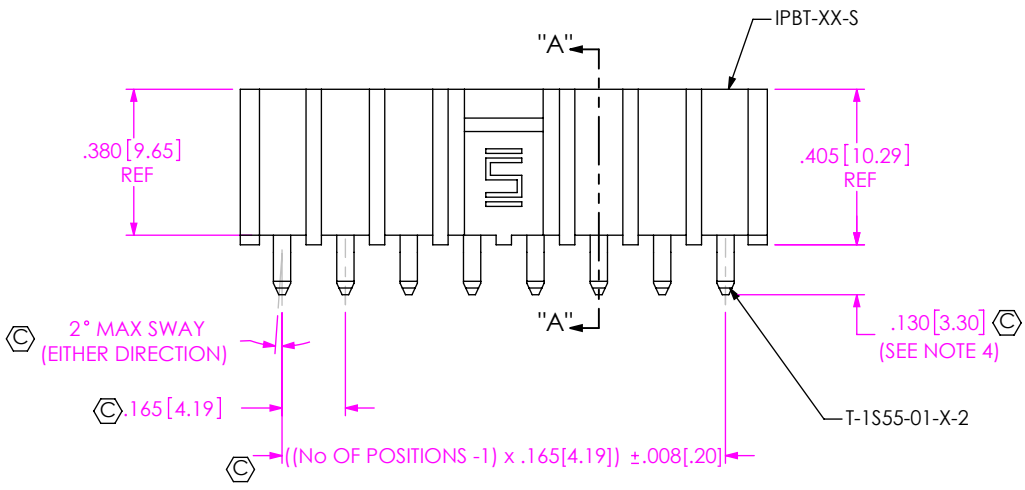
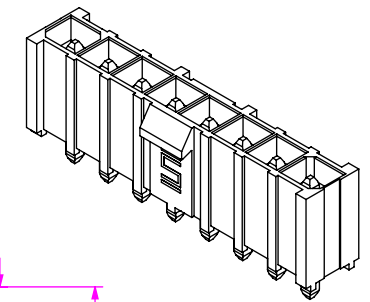
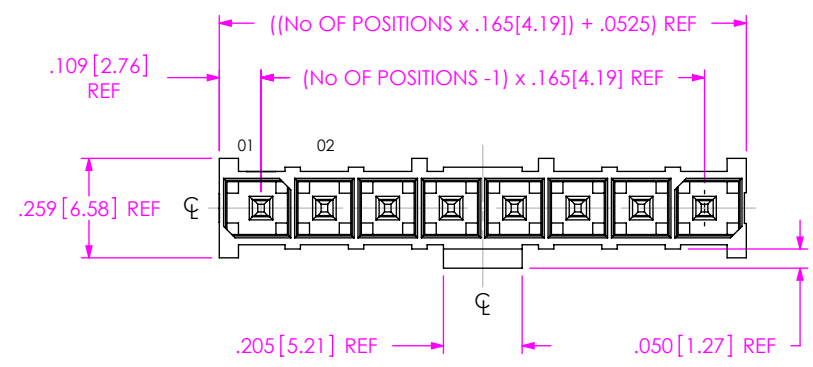
(* = LEAVE BLANK FOR NO KEYED OPTION. SAMTEC WILL ONLY SUPPORT EXISTING BUSINESS AS OF REV F)

LEAD STYLE

- H1: HIGH POWER, THRU HOLE (USE T-1S55-XX-XX-2)
- H2: HIGH POWER, SURFACE MOUNT (USE T-1S55-XX-XX-2)

PLATING SPECIFICATION

- T: MATTE TIN CONTACT AND TAIL (USE T-1S55-XX-T-2)
- TM: MATTE TIN CONTACT AND TAIL (USE T-1S55-XX-T-2)
- L: 10μ" GOLD ON CONTACT, TIN ON TAIL (USE T-1S55-XX-L-2)
- S: 30μ" GOLD ON CONTACT, TIN ON TAIL (USE T-1S55-XX-S-2)



NOTES:

1. Ⓢ REPRESENTS A CRITICAL DIMENSION.
2. PARTS TO BE MOLDED TO POSITION.
3. MINIMUM TERMINAL RETENTION: 1 LB[4.45 N].
4. POST MUST BE WITHIN .005[.13] OF EACH OTHER.
5. PARTS TO BE TUBE PACKAGED, SEE PACKAGING VIEWS SHT 3.
6. THIS FEATURE NOT PRESENT ON -02-S AND -03-S POSITIONS. ONLY CORNER RIBS (4 PLCS) ARE PRESENT.
7. ORDERS WILL BE PACKAGED ACCORDING TO THE SAMTEC PACKAGING EFFICIENCY STANDARDS (SPES) FOUND ON WWW.SAMTEC.COM.

IPBT-108-H1-XX-S SHOWN
FIG 1

PART NUMBER	BODY	TERMINAL	"A" REF
IPBT-1XX-H1-XX-S	IPBT-XX-S	T-1S55-01-X-2	.5100
IPBT-1XX-H2-XX-S	IPBT-XX-S	T-1S55-02-X-2	.6071
IPBT-1XX-H1-XX-S-RA	IPBT-XX-S	T-1S55-03-X-2	.6861
IPBT-1XX-H1-XX-S-RA-GP	IPBT-XX-S-GP	T-1S55-03-X-2	.6861
IPBT-1XX-H1-XX-S-GP	IPBT-XX-S-GP	T-1S55-01-X-2	.5100
IPBT-1XX-H2-XX-S-GP	IPBT-XX-S-GP	T-1S55-02-X-2	.6071

UNLESS OTHERWISE SPECIFIED, DIMENSIONS ARE IN INCHES.

TOLERANCES ARE:
 DECIMALS: .XX: ±.01 [0.3]
 .XXX: ±.005 [0.13]
 .XXXX: ±.0020 [0.051]

ANGLES: 2°

MATERIAL: DO NOT SCALE DRAWING
 INSULATOR: LCP, UL 94 VO COLOR: BLACK
 TERMINAL: HIGH COPPER ALLOY

PROPRIETARY NOTE
 THIS DOCUMENT CONTAINS CONFIDENTIAL AND PROPRIETARY INFORMATION AND ALL DESIGN, MANUFACTURING, REPRODUCTION, USE, PATENT RIGHTS AND SALES RIGHTS ARE EXPRESSLY RESERVED BY SAMTEC, INC. THIS DOCUMENT SHALL NOT BE DISCLOSED, IN WHOLE OR PART, TO ANY UNAUTHORIZED PERSON OR ENTITY NOR REPRODUCED, TRANSFERRED OR INCORPORATED IN ANY OTHER PROJECT IN ANY MANNER WITHOUT THE EXPRESS WRITTEN CONSENT OF SAMTEC, INC.

F:\DWG\SW\Exisprod\Assembly\165\IPBT-1XX-XX-XX-S-XX-ASM.SLDDRW



520 PARK EAST BLVD, NEW ALBANY, IN 47150
 PHONE: 812-944-6733 FAX: 812-948-5047
 e-Mail: info@SAMTEC.com code 55322

DESCRIPTION:
.165 SINGLE ROW TERMINAL ASSEMBLY

DWG. NO.
IPBT-1XX-XX-XX-S-XX

BY: KEVIN B 05/06/03 SHEET 1 OF 3

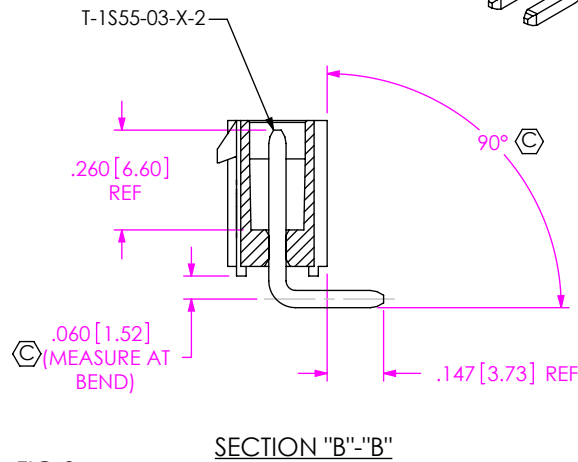
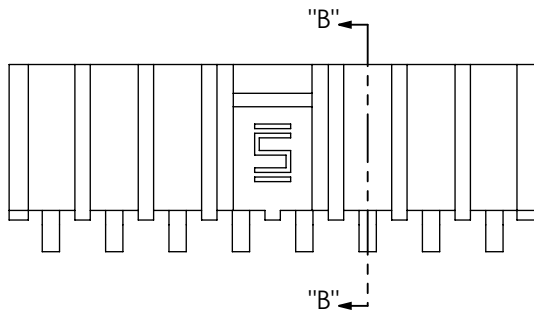
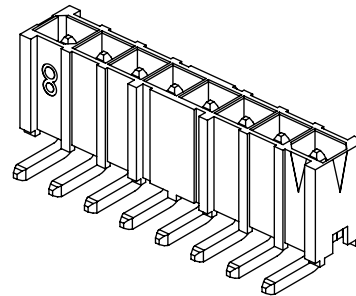
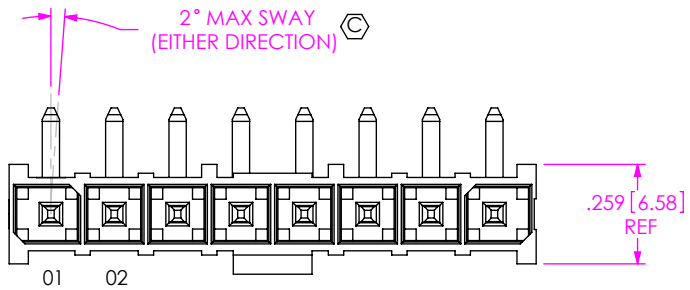
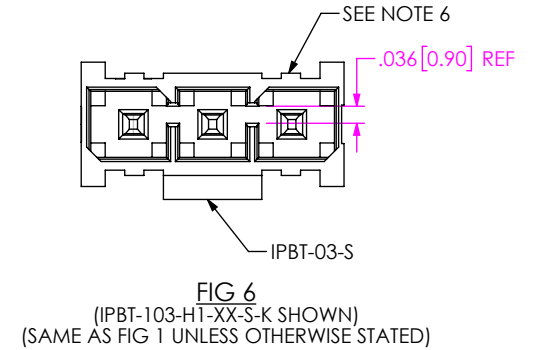
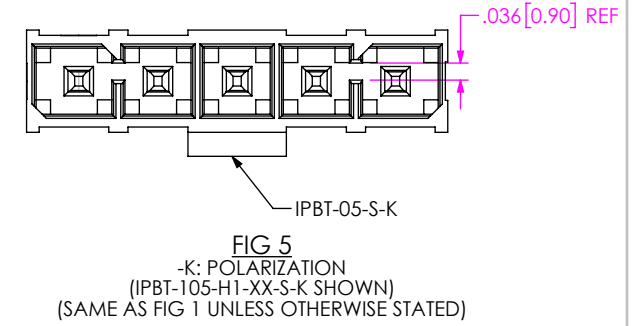
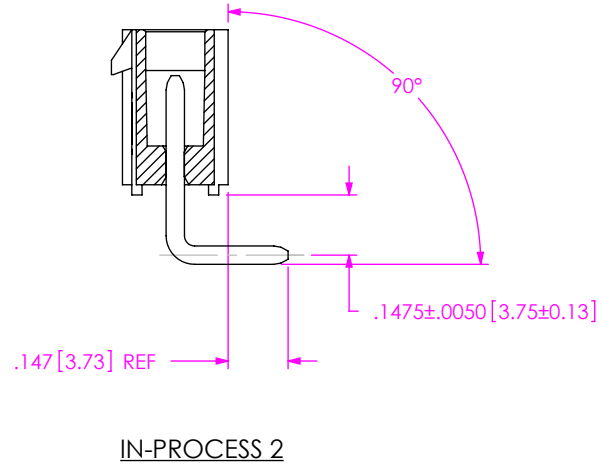
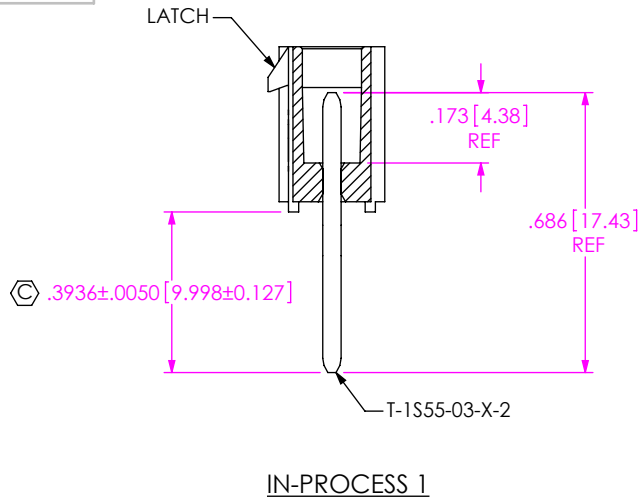


FIG 2
-RA: RIGHT ANGLE
(IPBT-108-H1-XX-S-RA SHOWN)
(DIFFERENT AS SHOWN, OTHERWISE SAME AS FIG 1)
(STYLE -H2 NOT AVAILABLE)

• PROPRIETARY NOTE •
THIS DOCUMENT CONTAINS CONFIDENTIAL AND PROPRIETARY INFORMATION AND ALL DESIGN, MANUFACTURING, REPRODUCTION, USE, PATENT RIGHTS AND SALES RIGHTS ARE EXPRESSLY RESERVED BY SAMTEC, INC. THIS DOCUMENT SHALL NOT BE DISCLOSED, IN WHOLE OR PART, TO ANY UNAUTHORIZED PERSON OR ENTITY NOR REPRODUCED, TRANSFERRED OR INCORPORATED IN ANY OTHER PROJECT IN ANY MANNER WITHOUT THE EXPRESS WRITTEN CONSENT OF SAMTEC, INC.



520 PARK EAST BLVD., NEW ALBANY, IN 47150
PHONE: 812-944-6733 FAX: 812-948-5047
e-Mail info@SAMTEC.com code 55322

DO NOT SCALE DRAWING

SHEET SCALE: 2:1

DESCRIPTION:
.165 SINGLE ROW TERMINAL ASSEMBLY

DWG. NO. IPBT-1XX-XX-XX-S-XX

BY: KEVIN B 05/06/03 SHEET 2 OF 3

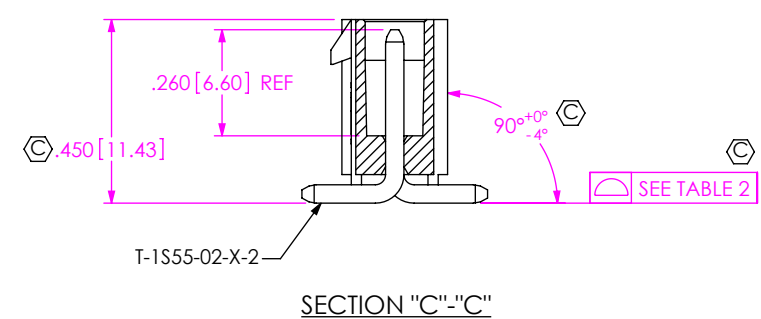
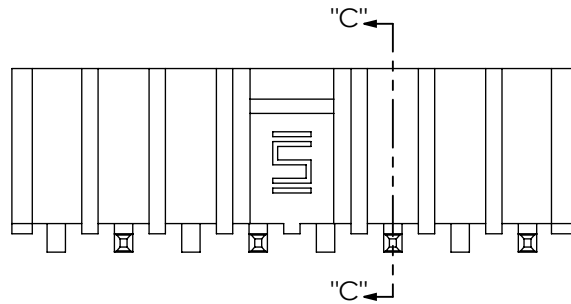
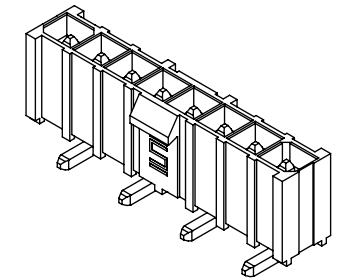
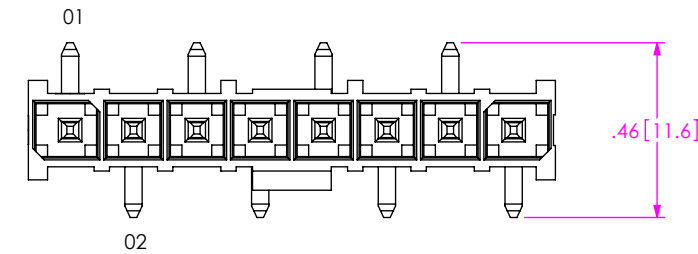
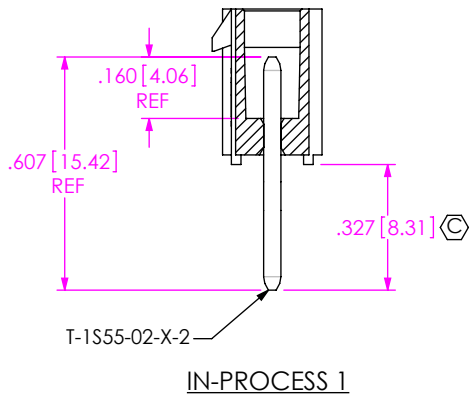


FIG 3
STYLE -H2: SURFACE MOUNT
(IPBT-108-H2-XX-S SHOWN)
(DIFFERENT AS SHOWN, OTHERWISE SAME AS FIG 1)

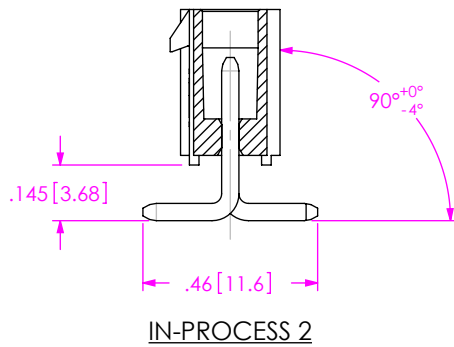


TABLE 2	
No OF POSITIONS	COPLANARITY
-02 THRU -08	.004[.10]
-09 & -10	.006[.15]

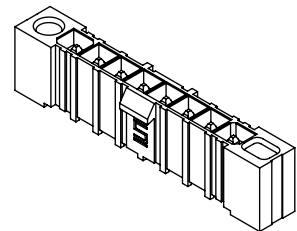
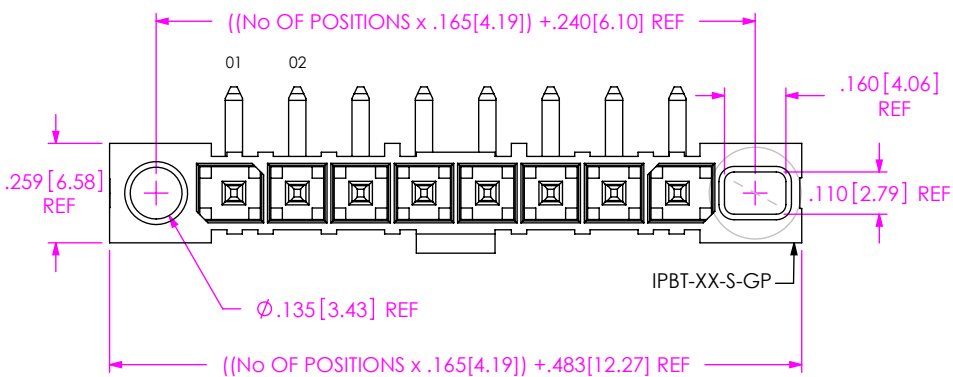
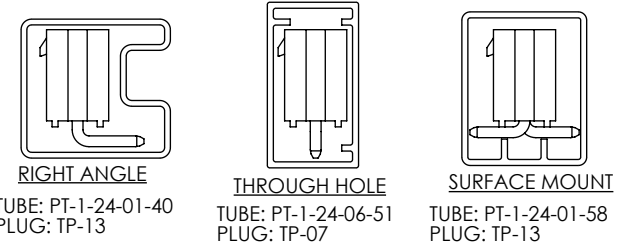


FIG 4
-GP: GUIDE POSTS
(IPBT-108-H1-XX-S-RA-GP SHOWN)
(DIFFERENT AS SHOWN, OTHERWISE SAME AS FIG 1, 2 OR 3)
(AVAILABLE WITH THROUGH HOLE, SURFACE MOUNT & -RA OPTION)



PACKAGING VIEW
[PARTS TO HAVE POSITION #1 LOADED IN SAME DIRECTION AS ARROW ON TUBE]

PROPRIETARY NOTE
THIS DOCUMENT CONTAINS CONFIDENTIAL AND PROPRIETARY INFORMATION AND ALL DESIGN, MANUFACTURING, REPRODUCTION, USE, PATENT RIGHTS AND SALES RIGHTS ARE EXPRESSLY RESERVED BY SAMTEC, INC. THIS DOCUMENT SHALL NOT BE DISCLOSED, IN WHOLE OR PART, TO ANY UNAUTHORIZED PERSON OR ENTITY NOR REPRODUCED, TRANSFERRED OR INCORPORATED IN ANY OTHER PROJECT IN ANY MANNER WITHOUT THE EXPRESS WRITTEN CONSENT OF SAMTEC, INC.



520 PARK EAST BLVD, NEW ALBANY, IN 47150
PHONE: 812-944-6733 FAX: 812-948-5047
e-Mail info@SAMTEC.com code 55322

DO NOT SCALE DRAWING

SHEET SCALE: 2:1



DESCRIPTION:
.165 SINGLE ROW TERMINAL ASSEMBLY

DWG. NO. IPBT-1XX-XX-XX-S-XX

BY: KEVIN B 05/06/03 SHEET 3 OF 3

Looking for pricing, stock, or lifecycle information?

Click below to explore more details on WIN SOURCE:

-  [View IPBT-103-H1-T-S-K on WIN SOURCE](#)
-  [Samtec Inc. Information](#)

Optimize Your Supply Chain with WIN SOURCE Solutions

-  Global Sourcing Solution
-  Obsolete Management
-  Cost Control Management
-  Shortage Management
-  Alternative Solution
-  Excess Inventory Management