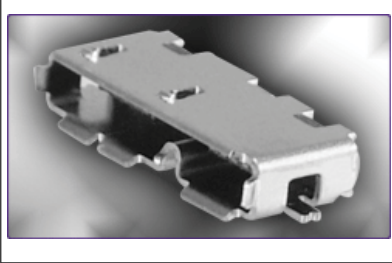




**THE DATASHEET OF  
GRM1885C1H3R3BA01D**





## UNIVERSAL SERIAL BUS: KMMX Series

### Micro Universal Serial Bus 3.0

#### Product Features

Also Known as SuperSpeed USB  
 More Compact Footprint than Mini-USB  
 Meets the USB-IF 3.0 Specification  
 Stainless Steel Shell, Which Yields 10,000 Insertion Cycles  
 Used in Portable Devices Such as Mobile Phones, PDAs, and Digital Cameras  
 US Certified File No. LR78160  
 UL File No. E134345

#### Performance Specifications

##### Materials and Finish

##### Insulator

LCP+50%GF UL 94V-0 Rated, Black Color

##### Contacts

30μ" Gold Plating over Nickel on Contact Area,  
 Gold Flash Plating on Solder Tail

##### Shell

Stainless Steel, Nickel Plated

#### Electrical Characteristics

**Rated Voltage:** 5V AC (RMS Max.)

**Rated Current:** 1.8A (only Pin 1,5); 0.25A For Other Pins

**Dielectric Withstanding Voltage:** 100V AC for 1 Min.

**Insulation Resistance:** 100 Megohms Min.

**Contact Resistance:** 50 milliohms Max

**Operating Temperature:** See Drawing

#### Mechanical Characteristics

##### Insertion Force

35N Max.

##### Withdrawal Force

8N Min.

##### Durability

10000 Cycles Min.

2D Drawing	IGES	STEP	3D PDF
Solder Profile	CofC RoHS Compliant	CofC REACH Compliant	UL Plastic File
Certificate of Origin	Check Stock	Request a Sample	Send Us An Email

#### Generated Part Number

#### Part Number Builder

<input type="text"/>	-	<input type="text"/>	<input type="text"/>	<input type="text"/>	<input type="text"/>	<input type="text"/>
Series		Type	Mounting Option	Insulator Color	Plating Option	Packaging Option

#### Series

**KMMX** - Micro Universal Serial Bus

#### Type

**AB10** - AB Type, 10 pins

**B10** - B Type, 10 pins

#### Mounting Option

**SMT1S** - Surface Mount with Through Hole Shield Tabs

**SMT4S** - Surface Mount with SMT Shield Tabs

#### Insulator Color Option

**B** - Black

#### Plating Option

**30** - 30μ" Gold

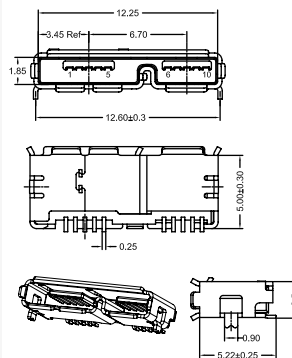
#### Packaging

**TR** - Tape and Reel

Contact Kycon for other options

#### KMMX-AB10-SMT1SB30

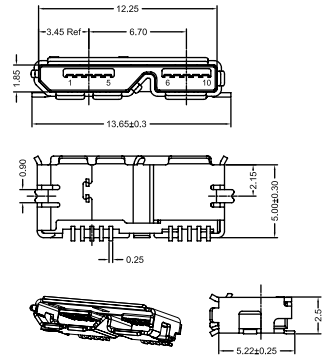
Dimensions in mm



Pin Number	Signal Name
1	VBUS
2	D-
3	D+
4	ID
5	GND
6	MicA_SSTX-
7	MicA_SSTX+
8	GND_DRAIN
9	MicA_SSRX-
10	MicA_SSRX+

#### KMMX-B10-SMT4SB30

Dimensions in mm



Pin Number	Signal Name
1	VBUS
2	D-
3	D+
4	ID
5	GND
6	MicA_SSTX-
7	MicA_SSTX+
8	GND_DRAIN
9	MicA_SSRX-
10	MicA_SSRX+

## Looking for pricing, stock, or lifecycle information?

Click below to explore more details on WIN SOURCE:

- ⊖ [View GRM1885C1H3R3BA01D on WIN SOURCE](#)
- ⊖ [Murata Electronics North America Information](#)

## Optimize Your Supply Chain with WIN SOURCE Solutions

- ✓ Global Sourcing Solution
- ✓ Obsolete Management
- ✓ Cost Control Management
- ✓ Shortage Management
- ✓ Alternative Solution
- ✓ Excess Inventory Management