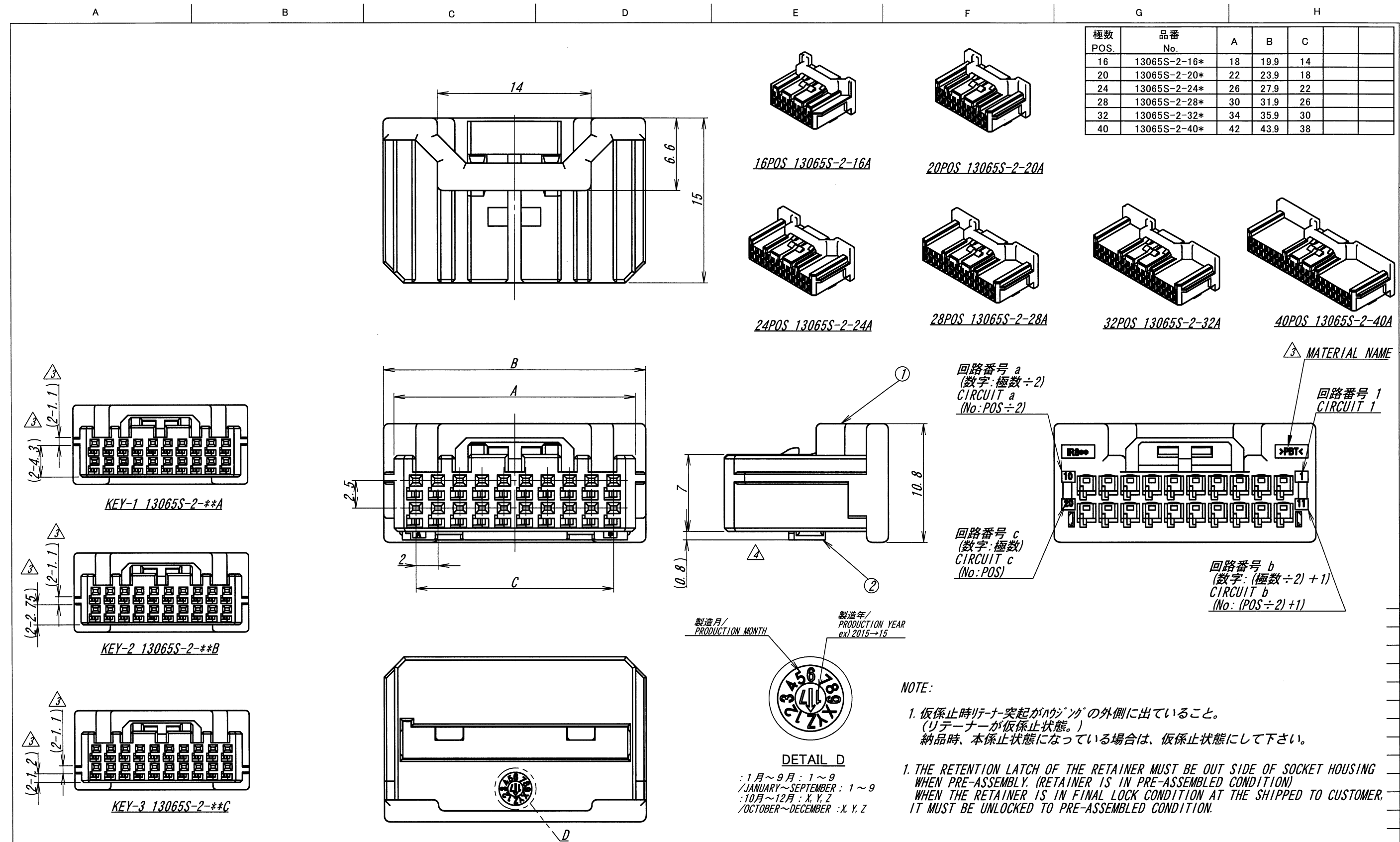


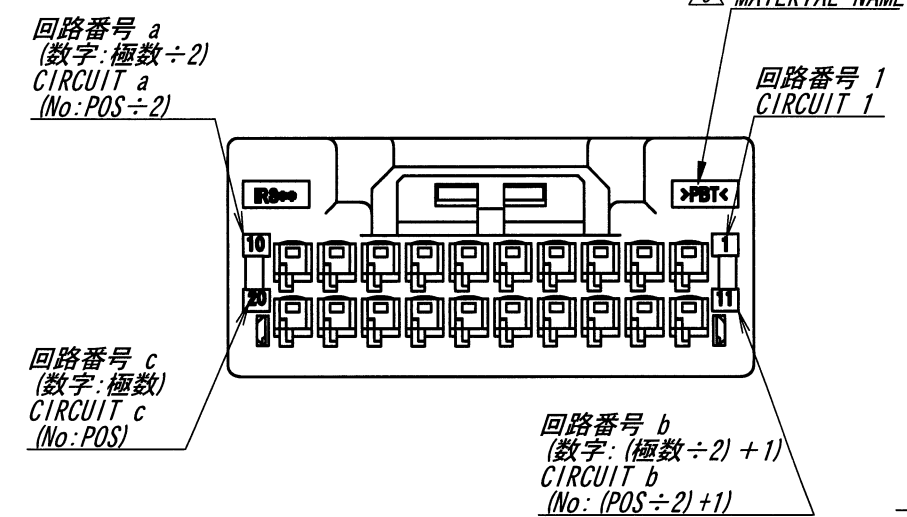
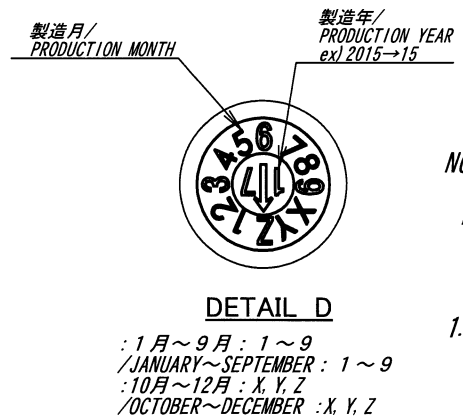
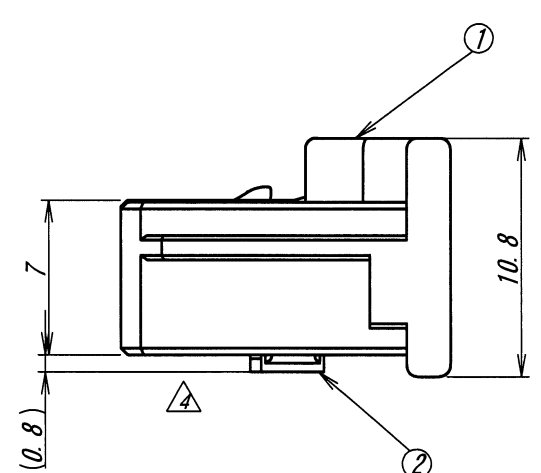
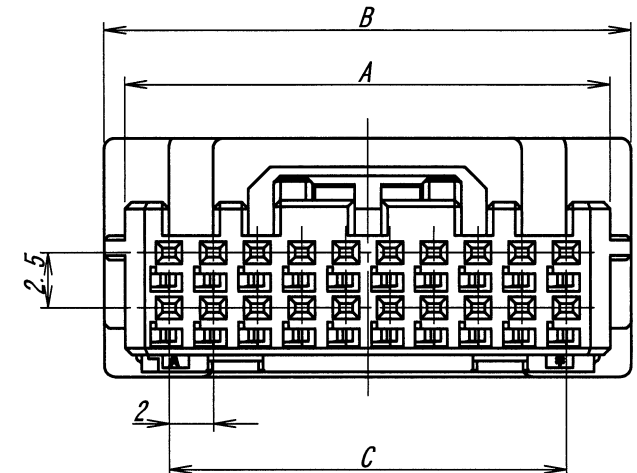
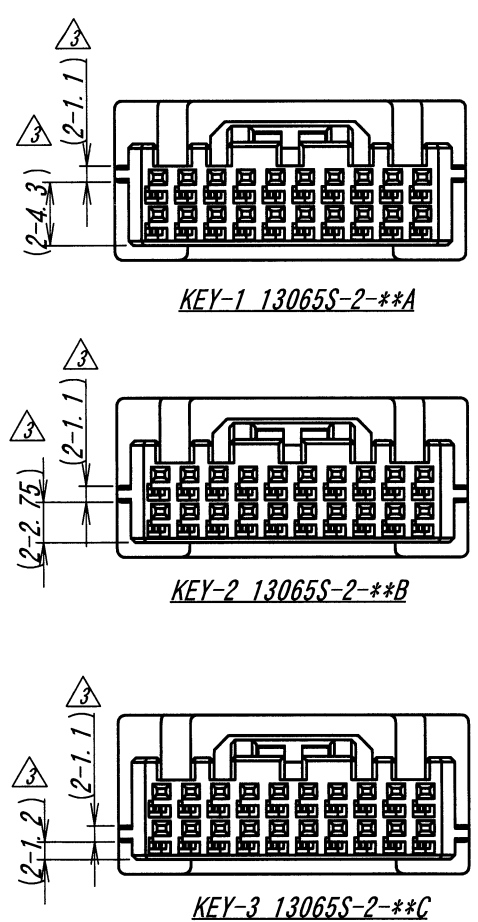
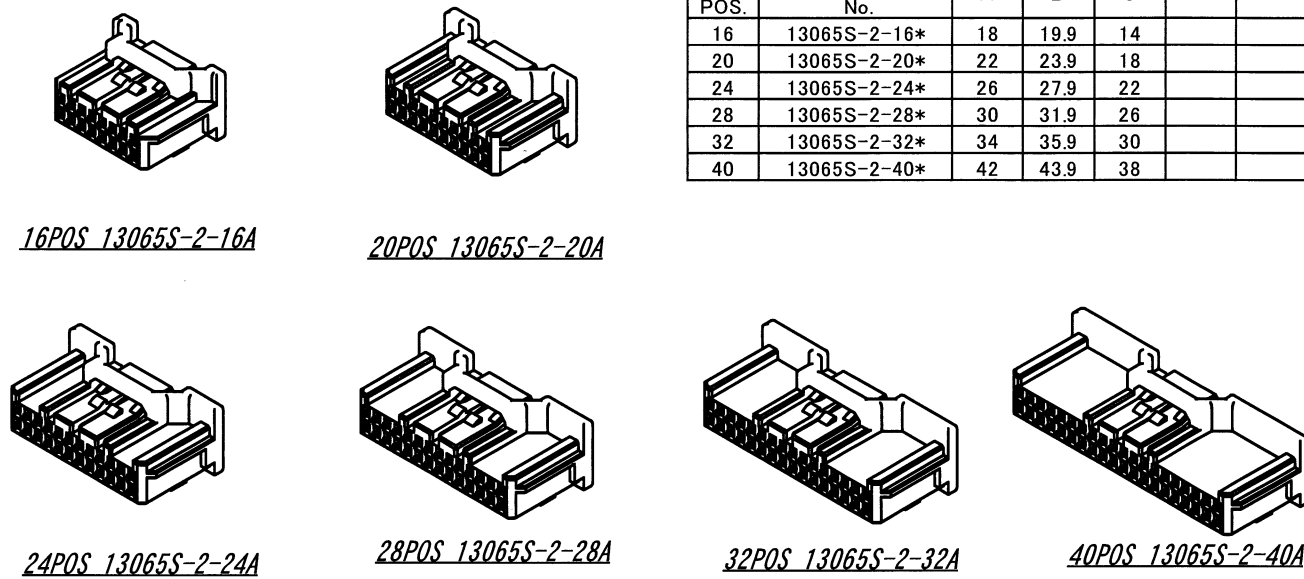


**THE DATASHEET OF
HVCB0805BDC20M0**





| 極数 POS. | 品番 No. | A | B | C |
|------------|--------------|----|------|----|
| 16 | 13065S-2-16* | 18 | 19.9 | 14 |
| 20 | 13065S-2-20* | 22 | 23.9 | 18 |
| 24 | 13065S-2-24* | 26 | 27.9 | 22 |
| 28 | 13065S-2-28* | 30 | 31.9 | 26 |
| 32 | 13065S-2-32* | 34 | 35.9 | 30 |
| 40 | 13065S-2-40* | 42 | 43.9 | 38 |



NOTE:
 1. 仮係止時リテーナ突起がハウジングの外側に出ていること。
 (リテーナが仮係止状態。)
 納品時、本係止状態になっている場合は、仮係止状態にして下さい。
 1. THE RETENTION LATCH OF THE RETAINER MUST BE OUT SIDE OF SOCKET HOUSING WHEN PRE-ASSEMBLY. (RETAINER IS IN PRE-ASSEMBLED CONDITION)
 WHEN THE RETAINER IS IN FINAL LOCK CONDITION AT THE SHIPPED TO CUSTOMER, IT MUST BE UNLOCKED TO PRE-ASSEMBLED CONDITION.

| REVISION RECORD | | | | | | MATERIAL 材質 | GENERAL TOLERANCES 一般公差 | SCALE 尺度 | UNIT 単位 | TITLE 名称 | |
|-----------------|--------|-------------------|------|------|-----------|--|-------------------------|---|------------------------------|--------------------------------------|--|
| △ | | | | | | ①SOCKET HOUSING : PBT樹脂, UL94 V0, 黒色/ PBT, UL94 V0, COLOR:BLACK | DIM 寸法 ± 0.3 | NA | mm | 13065 SERIES SOCKET HOUSING ASSEMBLY | |
| △ | | | | | | ②RETAINER : PBT樹脂, UL94 V0, ナチュラル/ PBT, UL94 V0, COLOR:NATURAL | ANGLE 角度 ± 3 | DR '18/10/29 K. Meguro | DSN '17/09/20 T. Sakamoto | EDP No SHEET 1 OF 2 | |
| △ | 181176 | REVISED | K. M | T. S | '18 10/29 | FINISH 仕上げ | 3RD. ANG. PROJ. 三角法 | CHK '18/10/29 T. Sakamoto | APP '18/10/29 J. Ma | PARTS No 部番 IMSA-13065S-2-*** | |
| △ | 180815 | REVISED | D. K | T. S | '18 9/12 | | | DWG No 図番 110-413065-905 | REV. 4 | | |
| △ | 180747 | REVISED | D. K | J. S | '18 8/29 | | | IRISO ELECTRONICS CO., LTD イリス電子工業株式会社 | | | |
| △ | 180545 | RELEASED | Y. M | T. S | '18 7/17 | | | | | | |
| △ | | SKETCHED | T. S | T. S | '17 9/20 | | | | | | |
| LTR 記号 | ECN No | REVISION RECORD 記 | DR | CHK | DATE 年月日 | | | | | | |

Looking for pricing, stock, or lifecycle information?

Click below to explore more details on WIN SOURCE:

 [View HVCB0805BDC20M0 on WIN SOURCE](#)

 [Stackpole Electronics Inc. Information](#)

Optimize Your Supply Chain with WIN SOURCE Solutions

-  Global Sourcing Solution
-  Obsolete Management
-  Cost Control Management
-  Shortage Management
-  Alternative Solution
-  Excess Inventory Management