



**THE DATASHEET OF
GRM21B7U1H473JA01L**



MOSFET – Power, Dual, N-Channel, for 1-Cell Lithium-ion Battery Protection

12 V, 2.75 mΩ, 33 A



ON Semiconductor®

www.onsemi.com

EFC2K102ANUZ

Overview

This Power MOSFET features a low on-state resistance. This device is suitable for applications such as power switches of portable machines. Best suited for 1-cell lithium-ion battery applications.

Features

- 2.5 V Drive
- Common-Drain type
- ESD Diode-Protected Gate
- Pb-Free, Halogen Free and RoHS Compliance

Applications

- 1-Cell Lithium-ion Battery Charging and Discharging Switch

Specifications

ABSOLUTE MAXIMUM RATINGS (T_A = 25°C)

Parameter	Symbol	Value	Unit
Source to Source Voltage	V _{SSS}	12	V
Gate to Source Voltage	V _{GSS}	±8	V
Source Current (DC)	I _S	33	A
Source Current (Pulse) PW ≤ 10 μs, duty cycle ≤ 1%	I _{SP}	135	A
Total Dissipation (Note 1)	P _T	3.1	W
Junction Temperature	T _j	150	°C
Storage Temperature	T _{stg}	-55 to +150	°C

Stresses exceeding those listed in the Maximum Ratings table may damage the device. If any of these limits are exceeded, device functionality should not be assumed, damage may occur and reliability may be affected.

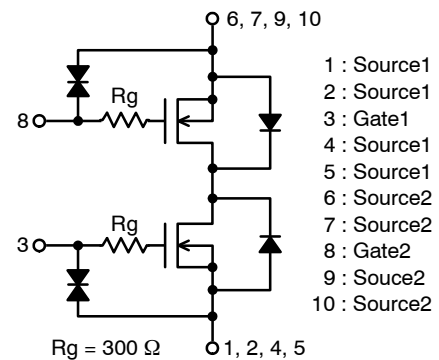
THERMAL RESISTANCE RATINGS

Parameter	Symbol	Value	Unit
Junction to Ambient (Note 1)	R _{θJA}	40.3	°C/W

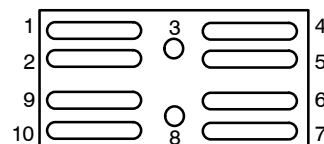
1. Surface mounted on ceramic substrate (5000 mm² × 0.8 mm).

V _{SSS}	R _{SS(on)} Max	I _S Max
12 V	2.75 mΩ @ 4.5 V	33 A
	2.85 mΩ @ 3.8 V	
	3.95 mΩ @ 3.1 V	
	6.1 mΩ @ 2.5 V	

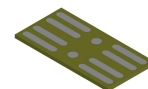
ELECTRICAL CONNECTION N-Channel



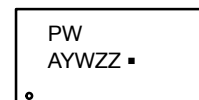
PIN ASSIGNMENT



MARKING DIAGRAM



WLCSP10
2.98x1.49x0.1
CASE 567ZG



PW = Specific Device Code
A = Assembly Location
Y = Year
W = Work Week
ZZ = Assembly Lot
▪ = Pb-Free Package

ORDERING INFORMATION

See detailed ordering and shipping information on page 6 of this data sheet.

EFC2K102ANUZ

ELECTRICAL CHARACTERISTICS ($T_A = 25^\circ\text{C}$)

Parameter	Symbol	Conditions	Value			Unit
			Min	Typ	Max	
Source to Source Breakdown Voltage	$V_{(BR)SSS}$	$I_S = 1 \text{ mA}, V_{GS} = 0 \text{ V}$ Test Circuit 1	12	-	-	V
Zero-Gate Voltage Source Current	I_{SSS}	$V_{SS} = 10 \text{ V}, V_{GS} = 0 \text{ V}$ Test Circuit 1	-	-	1	μA
Gate to Source Leakage Current	I_{GSS}	$V_{GS} = \pm 8 \text{ V}, V_{SS} = 0 \text{ V}$ Test Circuit 2	-	-	± 1	μA
Gate Threshold Voltage	$V_{GS(th)}$	$V_{SS} = 6 \text{ V}, I_S = 1 \text{ mA}$ Test Circuit 3	0.4	-	1.3	V
Static Source to Source On-State Resistance	$R_{SS(on)}$	$I_S = 5 \text{ A}, V_{GS} = 4.5 \text{ V}$ Test Circuit 4	1.55	2.10	2.75	$\text{m}\Omega$
		$I_S = 5 \text{ A}, V_{GS} = 3.8 \text{ V}$ Test Circuit 4	1.60	2.20	2.85	$\text{m}\Omega$
		$I_S = 5 \text{ A}, V_{GS} = 3.1 \text{ V}$ Test Circuit 4	1.65	2.40	3.95	$\text{m}\Omega$
		$I_S = 5 \text{ A}, V_{GS} = 2.5 \text{ V}$ Test Circuit 4	1.90	3.10	6.10	$\text{m}\Omega$
Turn-ON Delay Time	$t_{d(on)}$	$V_{SS} = 6 \text{ V}, V_{GS} = 3.8 \text{ V}, I_S = 5 \text{ A},$ $R_g = 10 \text{ k}\Omega$ Test Circuit 5	-	20	-	μs
Rise Time	t_r		-	58	-	μs
Turn-OFF Delay Time	$t_{d(off)}$		-	115	-	μs
Fall Time	t_f		-	94	-	μs
Total Gate Charge	Q_g	$V_{SS} = 6 \text{ V}, V_{GS} = 3.8 \text{ V}, I_S = 5 \text{ A}$	-	42	-	nC
Forward Source to Source Voltage	$V_{F(S-S)}$	$I_S = 3 \text{ A}, V_{GS} = 0 \text{ V}$ Test Circuit 7	-	0.75	1.20	V

Product parametric performance is indicated in the Electrical Characteristics for the listed test conditions, unless otherwise noted. Product performance may not be indicated by the Electrical Characteristics if operated under different conditions.

TYPICAL CHARACTERISTICS

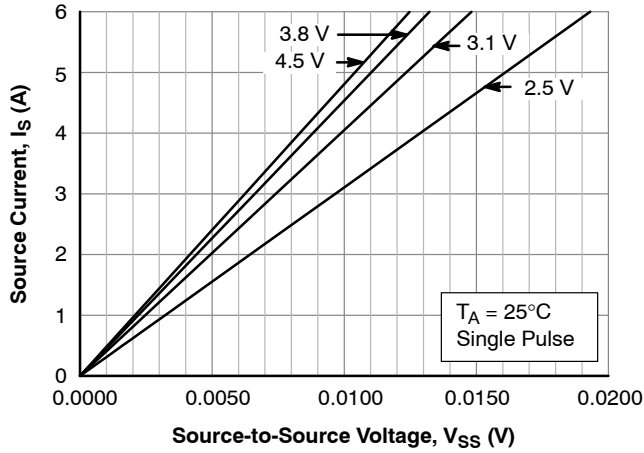


Figure 1. $I_S - V_{SS}$

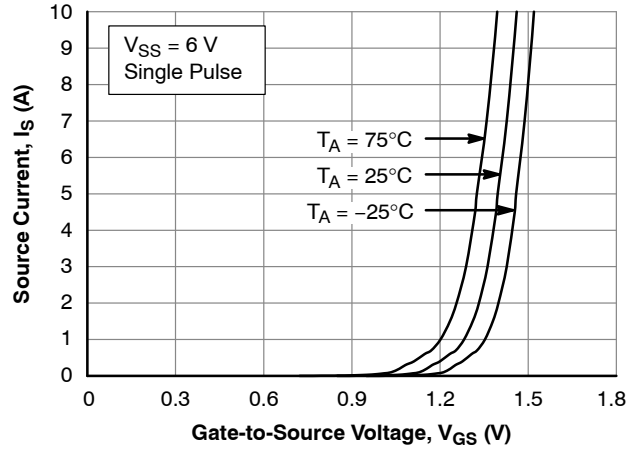


Figure 2. $I_S - V_{GS}$

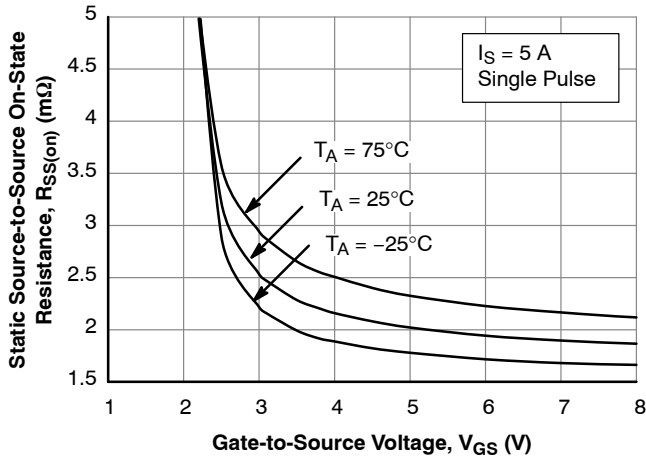


Figure 3. $R_{SS(on)} - V_{GS}$

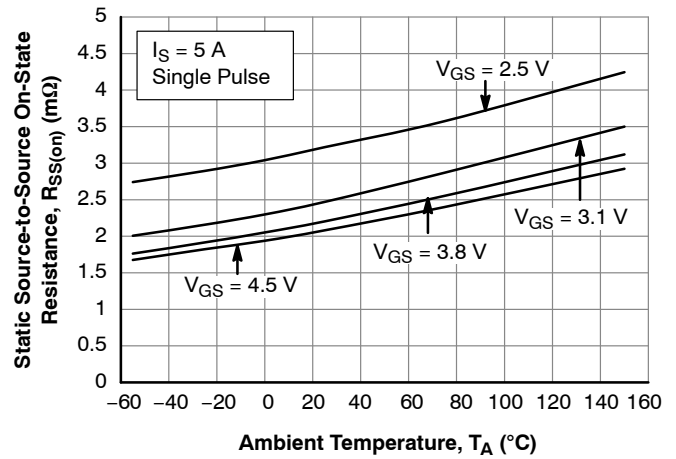


Figure 4. $R_{SS(on)} - T_A$

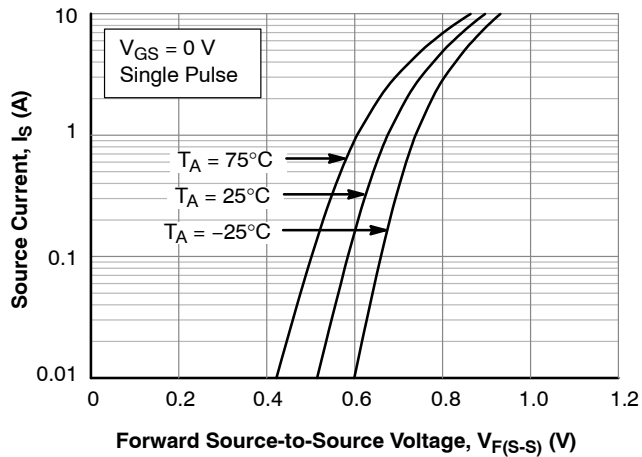


Figure 5. $I_S - V_{F(S-S)}$

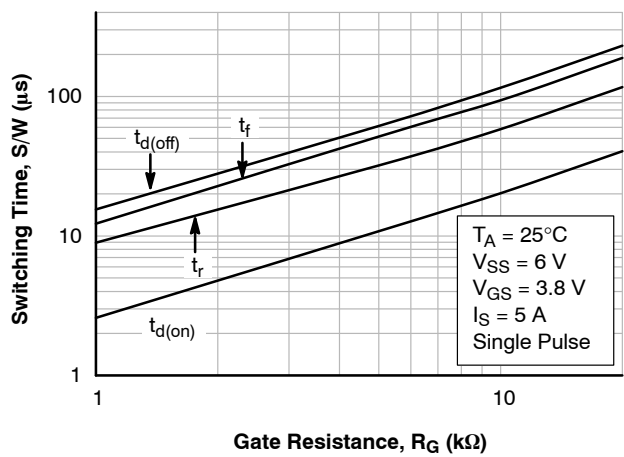


Figure 6. SW Time - R_G

EFC2K102ANUZ

TYPICAL CHARACTERISTICS (Continued)

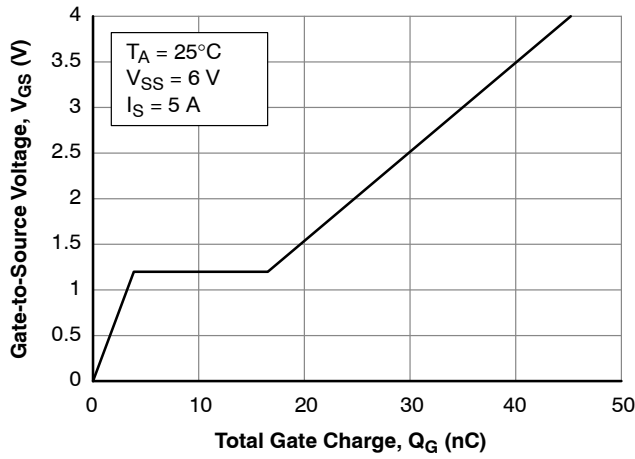


Figure 7. $V_{GS} - Q_G$

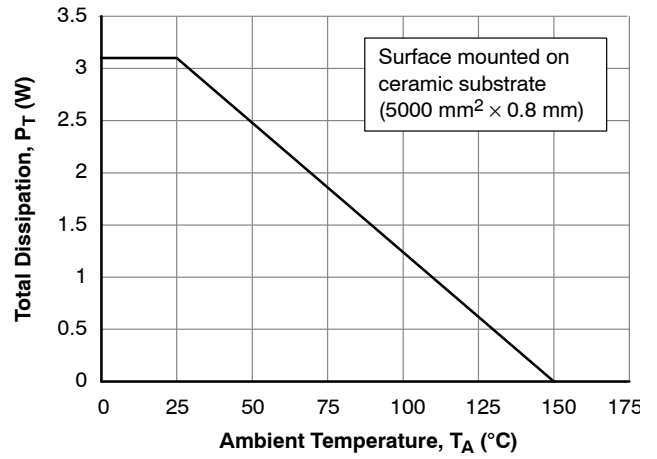


Figure 8. $P_T - T_A$

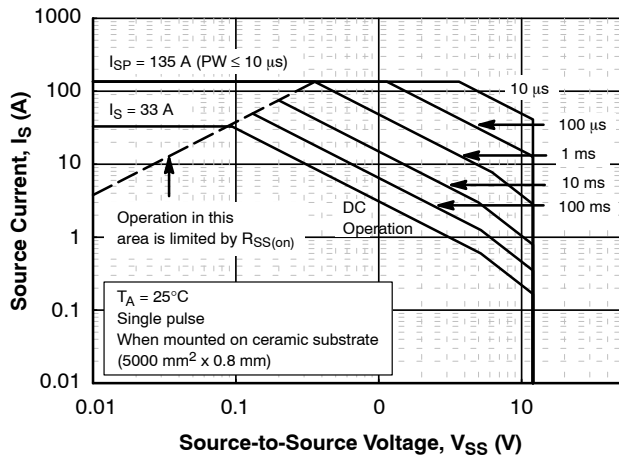


Figure 9. Safe Operating Area

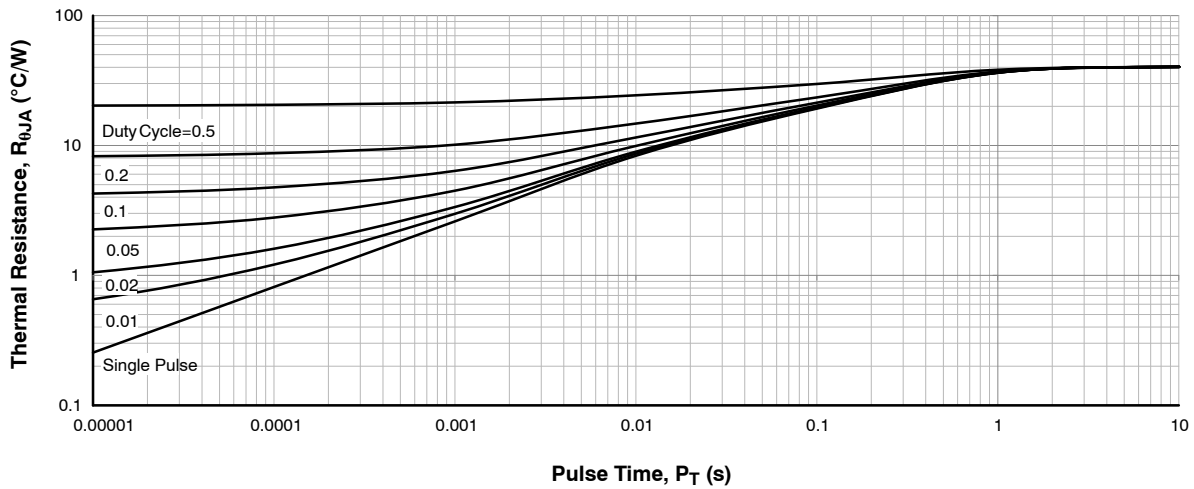
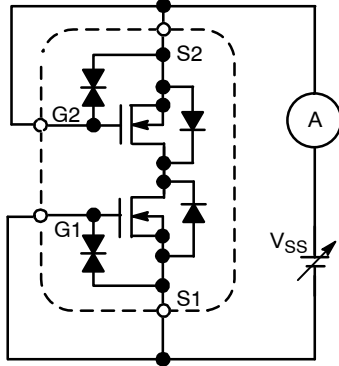


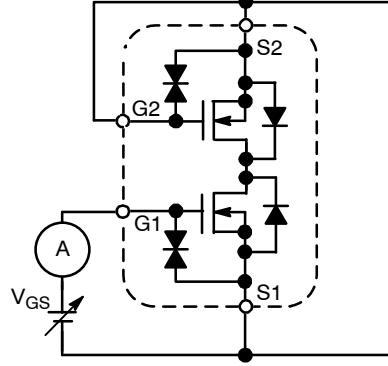
Figure 10. Thermal Response

Test Circuits are Example of Measuring FET1 Side

Test Circuit 1
 $V_{(BR)SS} / I_{SSS}$

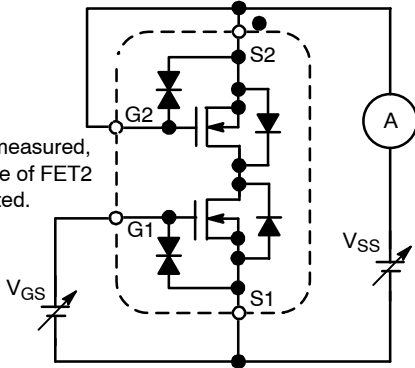


Test Circuit 2
 I_{GSS}



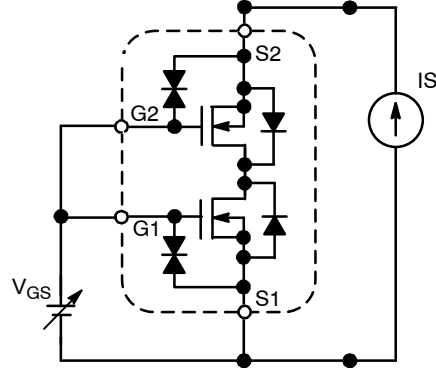
When FET1 is measured, Gate and Source of FET2 are short-circuited.

Test Circuit 3
 $V_{GS(th)}$

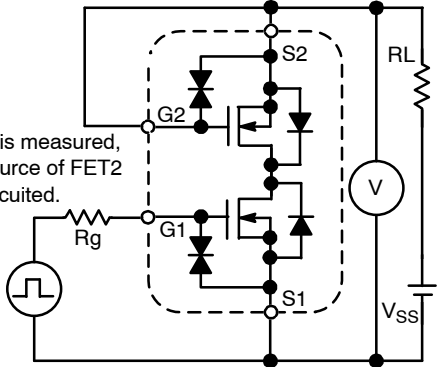


When FET1 is measured, Gate and Source of FET2 are short-circuited.

Test Circuit 4
 $R_{SS(on)}$

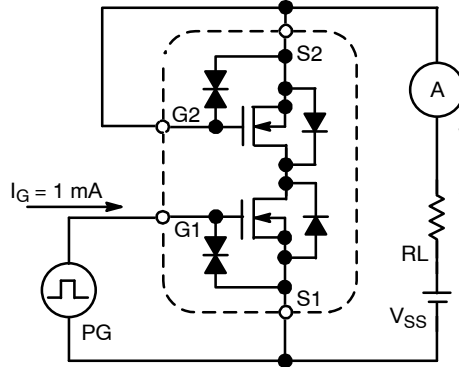


Test Circuit 5
 $t_d(on), t_r, t_d(off), t_f$



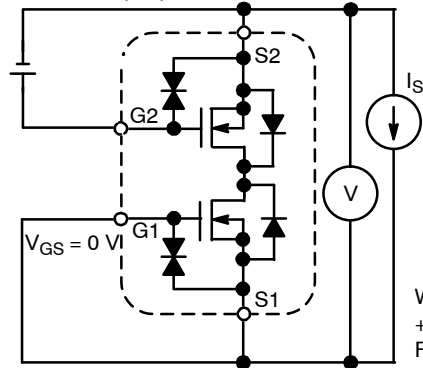
When FET1 is measured, Gate and Source of FET2 are short-circuited.

Test Circuit 6
 R_g



When FET1 is measured, Gate and Source of FET2 are short-circuited.

Test Circuit 7
 $V_{F(s-s)}$



When FET1 is measured, +4.5 V is added to V_{GS} of FET2.

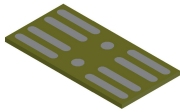
EFC2K102ANUZ

ORDERING INFORMATION

Device	Marking	Package	Shipping (Qty / Packing) [†]
EFC2K102ANUZTDG	PW	WLCSP10, 2.98x1.49x0.1 (Pb-Free/Halogen Free)	5,000 / Tape & Reel

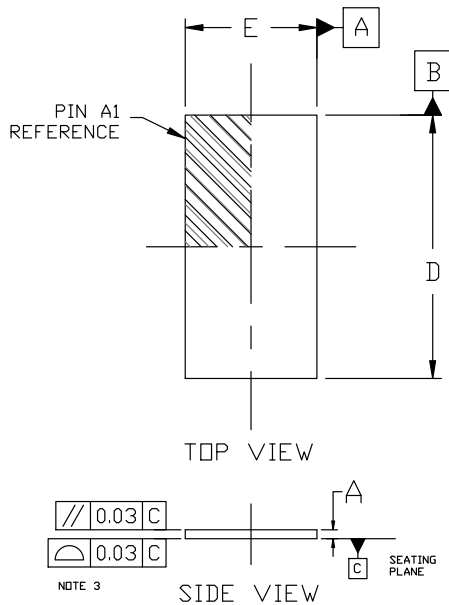
[†]For information on tape and reel specifications, including part orientation and tape sizes, please refer to our Tape and Reel Packaging Specifications Brochure, BRD8011/D.

NOTE: Since the EFC2K102ANUZ is a MOSFET product, please avoid using this device in the vicinity of highly charged objects. Please contact sales for use except the designated application.



WLCSP10 2.98x1.49x0.1
CASE 567ZG
ISSUE O

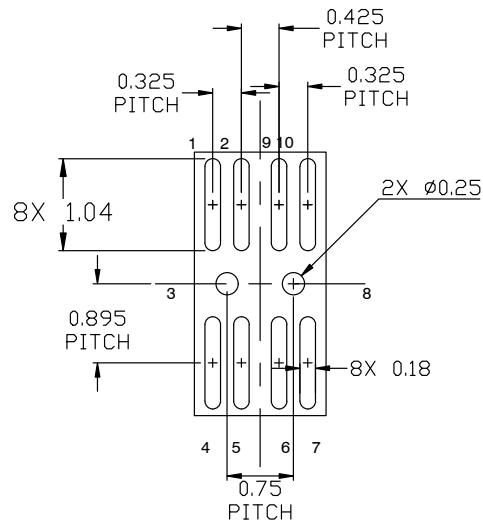
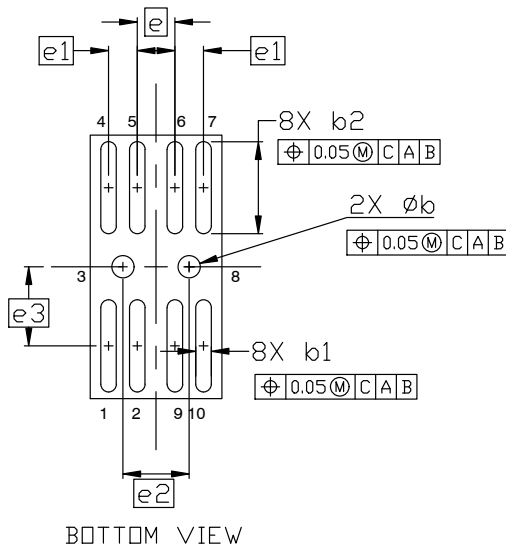
DATE 27 MAY 2020



NOTES:

1. DIMENSIONING AND TOLERANCING PER ASME Y14.5M, 2009.
2. CONTROLLING DIMENSION: MILLIMETERS
3. COPLANARITY APPLIES TO ALL PADS

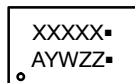
DIM	MILLIMETERS		
	MIN.	NOM.	MAX.
A	0.07	0.10	0.13
b	0.22	0.25	0.28
b1	0.145	0.175	0.205
b2	1.01	1.04	1.07
D	2.95	2.98	3.01
E	1.46	1.49	1.52
e	0.425 BSC		
e1	0.325 BSC		
e2	0.75 BSC		
e3	0.895 BSC		



RECOMMENDED MOUNTING FOOTPRINT

* For additional information on our Pb-Free strategy and soldering details, please download the DN Semiconductor Soldering and Mounting Techniques Reference Manual, SOLDERRM/D.

GENERIC MARKING DIAGRAM*



XXXX = Specific Device Code
A = Assembly Location
Y = Year
W = Work Week
ZZ = Assembly Lot Code
▪ = Pb-Free Package

(Note: Microdot may be in either location)

*This information is generic. Please refer to device data sheet for actual part marking. Pb-Free indicator, "G" or microdot "▪", may or may not be present. Some products may not follow the Generic Marking.

DOCUMENT NUMBER:	98AON21752H	Electronic versions are uncontrolled except when accessed directly from the Document Repository. Printed versions are uncontrolled except when stamped "CONTROLLED COPY" in red.
DESCRIPTION:	WLCSP10 2.98x1.49x0.1	PAGE 1 OF 1

onsemi and ONSEMI are trademarks of Semiconductor Components Industries, LLC dba onsemi or its subsidiaries in the United States and/or other countries. onsemi reserves the right to make changes without further notice to any products herein. onsemi makes no warranty, representation or guarantee regarding the suitability of its products for any particular purpose, nor does onsemi assume any liability arising out of the application or use of any product or circuit, and specifically disclaims any and all liability, including without limitation special, consequential or incidental damages. onsemi does not convey any license under its patent rights nor the rights of others.

onsemi, **Onsemi**, and other names, marks, and brands are registered and/or common law trademarks of Semiconductor Components Industries, LLC dba "**onsemi**" or its affiliates and/or subsidiaries in the United States and/or other countries. **onsemi** owns the rights to a number of patents, trademarks, copyrights, trade secrets, and other intellectual property. A listing of **onsemi**'s product/patent coverage may be accessed at www.onsemi.com/site/pdf/Patent-Marking.pdf. **onsemi** reserves the right to make changes at any time to any products or information herein, without notice. The information herein is provided "as-is" and **onsemi** makes no warranty, representation or guarantee regarding the accuracy of the information, product features, availability, functionality, or suitability of its products for any particular purpose, nor does **onsemi** assume any liability arising out of the application or use of any product or circuit, and specifically disclaims any and all liability, including without limitation special, consequential or incidental damages. Buyer is responsible for its products and applications using **onsemi** products, including compliance with all laws, regulations and safety requirements or standards, regardless of any support or applications information provided by **onsemi**. "Typical" parameters which may be provided in **onsemi** data sheets and/or specifications can and do vary in different applications and actual performance may vary over time. All operating parameters, including "Typicals" must be validated for each customer application by customer's technical experts. **onsemi** does not convey any license under any of its intellectual property rights nor the rights of others. **onsemi** products are not designed, intended, or authorized for use as a critical component in life support systems or any FDA Class 3 medical devices or medical devices with a same or similar classification in a foreign jurisdiction or any devices intended for implantation in the human body. Should Buyer purchase or use **onsemi** products for any such unintended or unauthorized application, Buyer shall indemnify and hold **onsemi** and its officers, employees, subsidiaries, affiliates, and distributors harmless against all claims, costs, damages, and expenses, and reasonable attorney fees arising out of, directly or indirectly, any claim of personal injury or death associated with such unintended or unauthorized use, even if such claim alleges that **onsemi** was negligent regarding the design or manufacture of the part. **onsemi** is an Equal Opportunity/Affirmative Action Employer. This literature is subject to all applicable copyright laws and is not for resale in any manner.

ADDITIONAL INFORMATION

TECHNICAL PUBLICATIONS:

Technical Library: www.onsemi.com/design/resources/technical-documentation
onsemi Website: www.onsemi.com

ONLINE SUPPORT: www.onsemi.com/support

For additional information, please contact your local Sales Representative at www.onsemi.com/support/sales

Looking for pricing, stock, or lifecycle information?

Click below to explore more details on WIN SOURCE:

- ⊖ [View GRM21B7U1H473JA01L on WIN SOURCE](#)
- ⊖ [Murata Electronics North America Information](#)

Optimize Your Supply Chain with WIN SOURCE Solutions

- ✓ Global Sourcing Solution
- ✓ Obsolete Management
- ✓ Cost Control Management
- ✓ Shortage Management
- ✓ Alternative Solution
- ✓ Excess Inventory Management