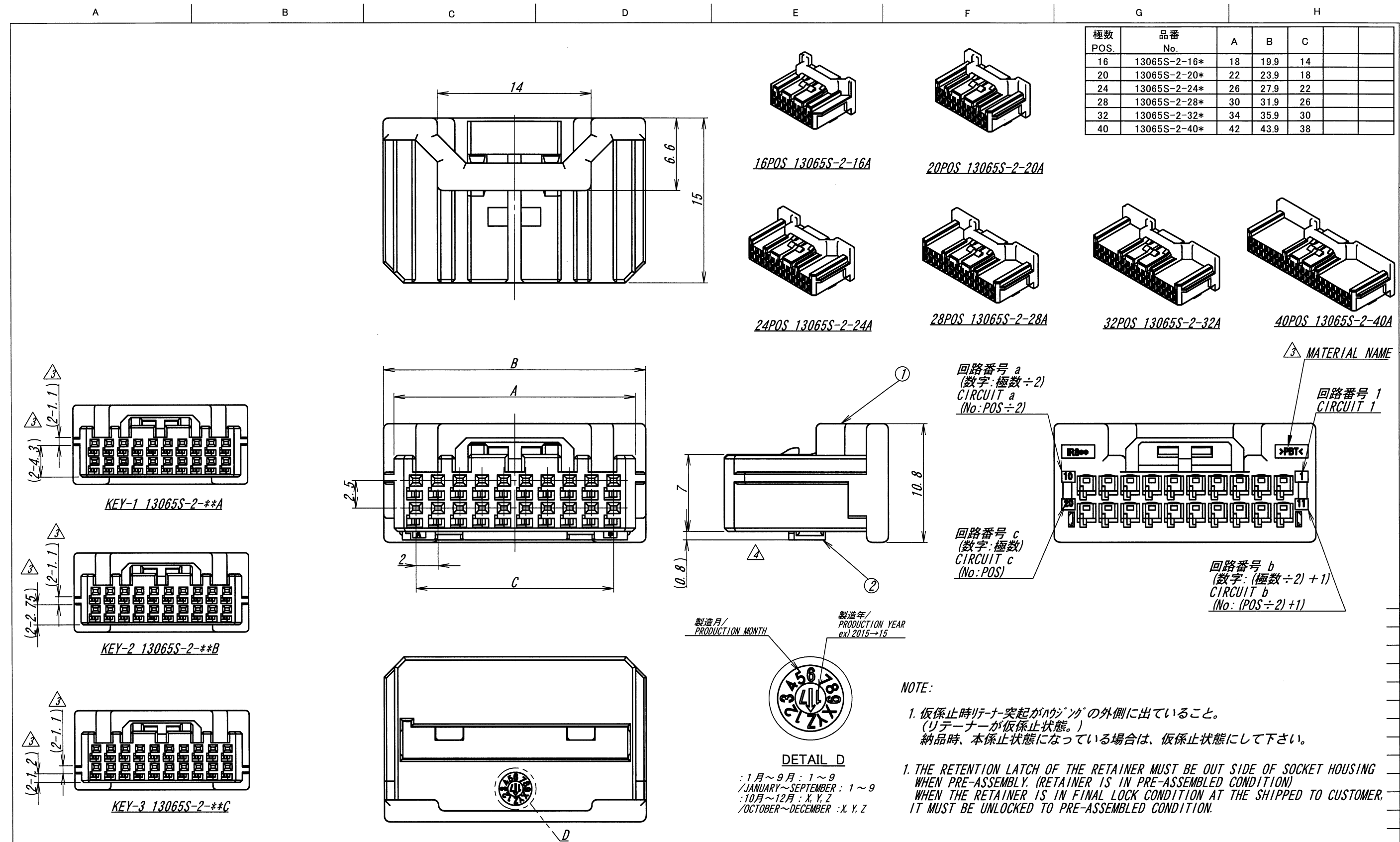


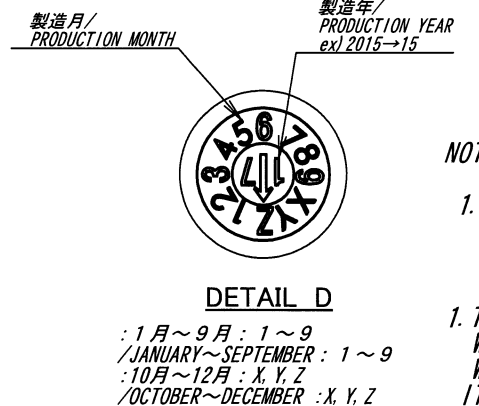
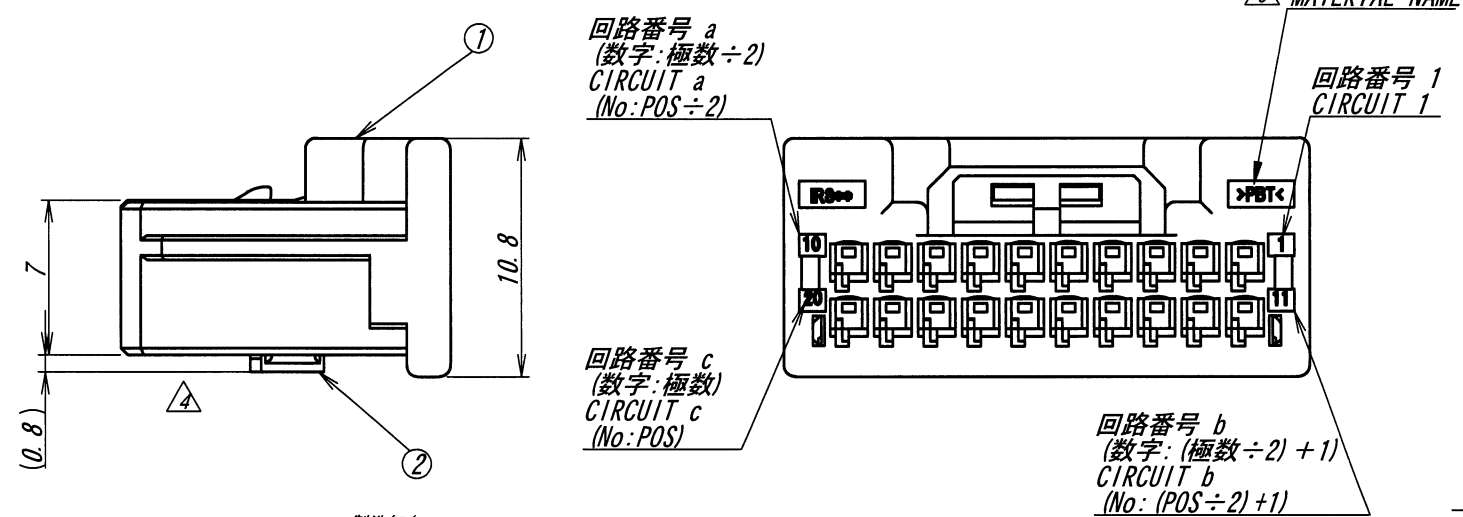
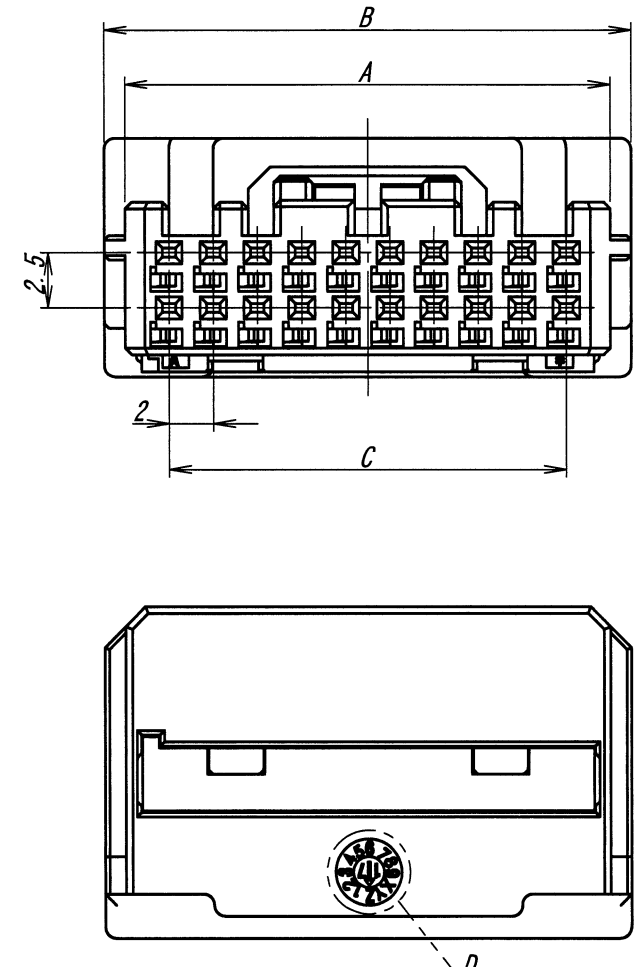
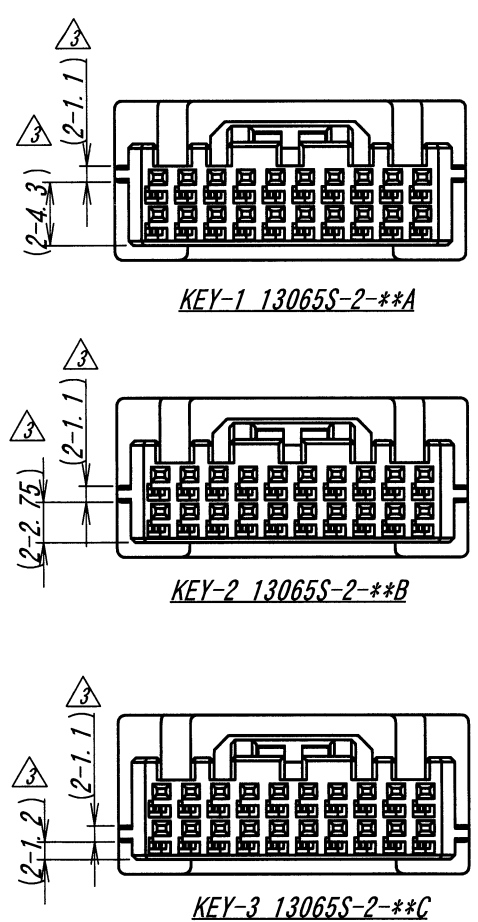
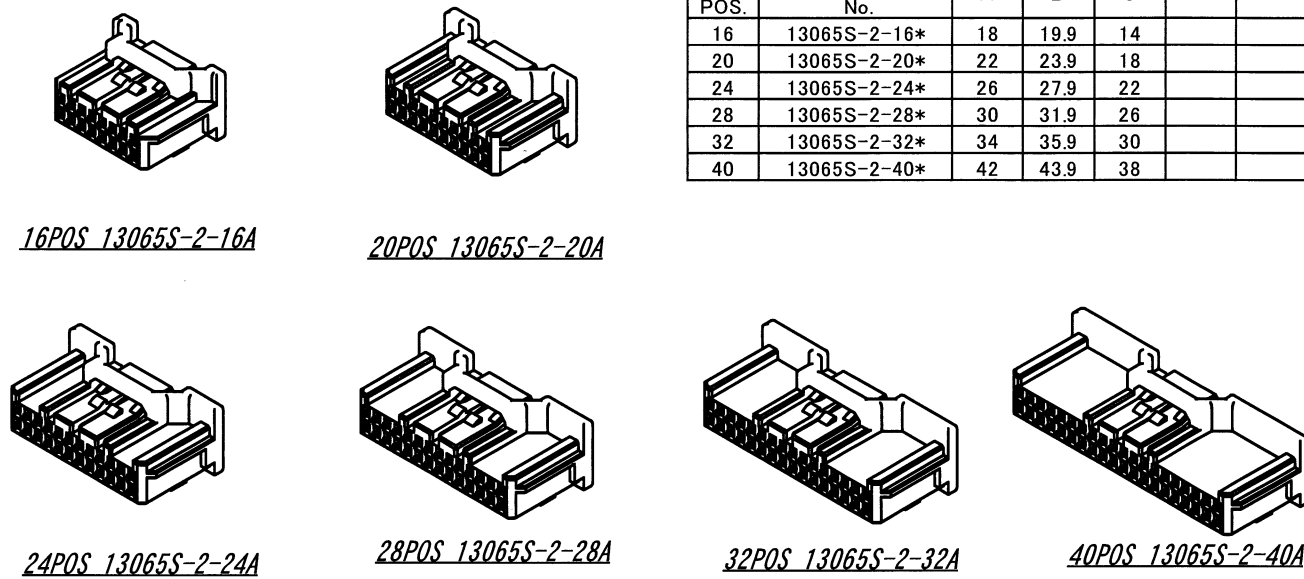


**THE DATASHEET OF
IMSA-13065S-2-20Y501**





極数 POS.	品番 No.	A	B	C
16	13065S-2-16*	18	19.9	14
20	13065S-2-20*	22	23.9	18
24	13065S-2-24*	26	27.9	22
28	13065S-2-28*	30	31.9	26
32	13065S-2-32*	34	35.9	30
40	13065S-2-40*	42	43.9	38




NOTE:
 1. 仮係止時リテーナ突起がハウジングの外側に出ていること。
 (リテーナが仮係止状態。)
 納品時、本係止状態になっている場合は、仮係止状態にして下さい。
 1. THE RETENTION LATCH OF THE RETAINER MUST BE OUT SIDE OF SOCKET HOUSING WHEN PRE-ASSEMBLY. (RETAINER IS IN PRE-ASSEMBLED CONDITION)
 WHEN THE RETAINER IS IN FINAL LOCK CONDITION AT THE SHIPPED TO CUSTOMER, IT MUST BE UNLOCKED TO PRE-ASSEMBLED CONDITION.

MATERIAL 材質					GENERAL TOLERANCES 一般公差		SCALE 尺度 / NA		UNIT 単位 mm		TITLE 名称	
①SOCKET HOUSING : PBT樹脂, UL94 V0, 黒色/ PBT, UL94 V0, COLOR:BLACK					DIM 寸法 ± 0.3		DR '18/10/29		DSN '17/09/20		13065 SERIES SOCKET HOUSING ASSEMBLY	
②RETAINER : PBT樹脂, UL94 V0, ナチュラル/ PBT, UL94 V0, COLOR:NATURAL					ANGLE 角度 ± 3		CHK '18/10/29		APP '17/09/20		EDP No SHEET 1 OF 2	
FINISH 仕上げ					3RD. ANG. PROJ. 三角法		T. Sakamoto		1/29 '18 J. Ma		PARTS No 部番	
							IRISO ELECTRONICS CO., LTD				IMSA-13065S-2-***	
							伊予電子工業株式会社				DWG No 図番	
											REV. 4	
											110-413065-905	

Looking for pricing, stock, or lifecycle information?

Click below to explore more details on WIN SOURCE:

 [View IMSA-13065S-2-20Y501 on WIN SOURCE](#)

 [IRISO Information](#)

Optimize Your Supply Chain with WIN SOURCE Solutions

-  Global Sourcing Solution
-  Obsolete Management
-  Cost Control Management
-  Shortage Management
-  Alternative Solution
-  Excess Inventory Management