



THE DATASHEET OF EXPLORIR-M-20





Specifications

| | | | |
|--------------------|--|-----------------------|---------------|
| Electrical Ratings | 50mA @ 50VDC | Dielectric Strength | 250Vrms min |
| Electrical Life | 100,000 cycles typical | Insulation Resistance | >100MΩ min |
| Contact Resistance | <50mΩ initial | Operating Temperature | -40°C to 85°C |
| Actuation Force | 100 ± 50gF 160 ± 50gF 260 ± 50gF | Storage Temperature | -40°C to 85°C |
| Actuation Travel | .25 ± .1mm | | |

Materials

| | |
|-----------|--------------------------------|
| Actuator | PA6T Nylon |
| Housing | PA6T Nylon |
| Cover | Stainless Steel |
| Contacts | Stainless Steel, Silver Plated |
| Terminals | Brass, Silver Plated |

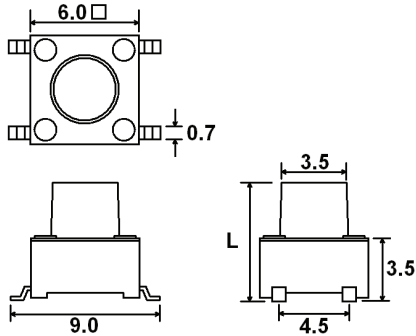
Ordering Information

| | | | |
|---------------------------|---|-----|------|
| 1. Series | CS1102 | 9.5 | F160 |
| CS1102 | | | |
| 2. Actuator Length "L" mm | | | |
| 4.3 | | | |
| 5.0 | | | |
| 7.0 | | | |
| 7.5 | | | |
| 8.0 | | | |
| 8.5 | | | |
| 9.5 | | | |
| S2.4 = 2.4mm square head | | | |
| S2.8 = 2.8mm square head | | | |
| 3. Actuation Force | | | |
| F100 = 100gF | | | |
| F160 = 160gF | | | |
| F260 = 260gF | | | |
| 4. Terminal Options | | | |
| Blank = Gull Wing | | | |
| J = J Lead | | | |
| 5. Cap Options | Cap Colors | | |
| Blank = No Cap | ** See Cap Options for color availability | | |
| C01 | ** Caps available with S2.8 actuator only | | |
| C02 | | | |
| C03 | | | |
| C04 | | | |
| C05 | | | |

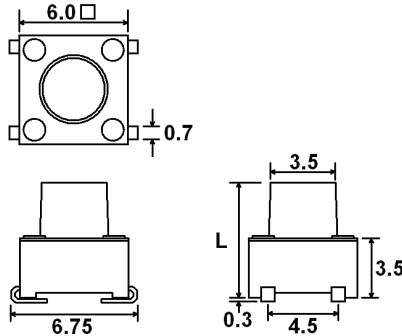
Reel Size

| Part Number | Qty Per Reel | Part Number | Qty Per Reel | Part Number | Qty Per Reel |
|-------------|--------------|-------------|--------------|-------------|--------------|
| CS11024.3 | 1000 | CS11027.5 | 700 | CS11029.5 | 400 |
| CS11025.0 | 1000 | CS11028.0 | 500 | CS1102S2.4 | 700 |
| CS11027.0 | 700 | CS11028.5 | 500 | CS1102S2.8 | 700 |

Dimensions

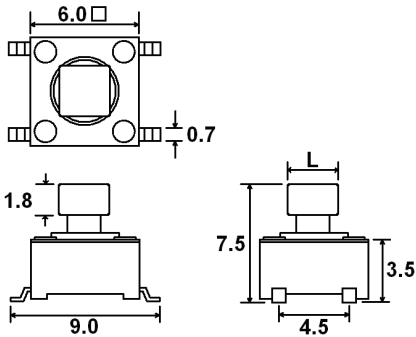


Gull Wing

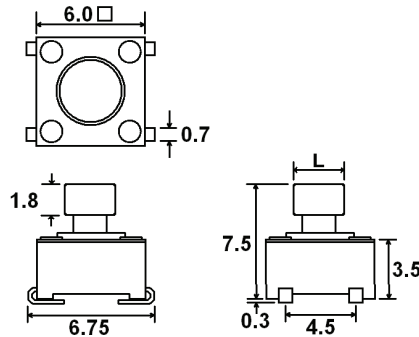


J Lead

| Part Number | "L" mm |
|-------------|--------|
| CS11024.3 | 4.3 |
| CS11025.0 | 5.0 |
| CS11027.0 | 7.0 |
| CS11027.5 | 7.5 |
| CS11028.0 | 8.0 |
| CS11028.5 | 8.5 |
| CS11029.5 | 9.5 |



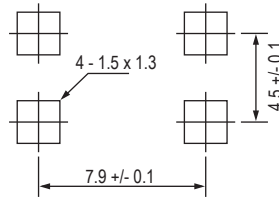
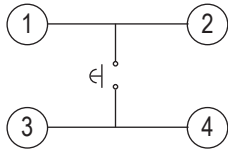
Gull Wing



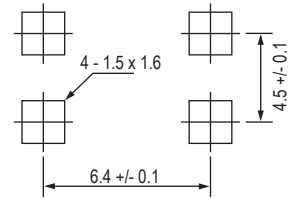
J Lead

| Part Number | "L" mm |
|-------------|--------|
| CS1102S2.4 | 2.4 |
| CS1102S2.8 | 2.8 |

Schematic & PC Layout

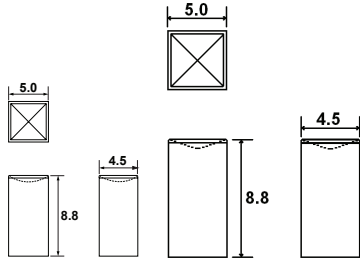


Gull Wing



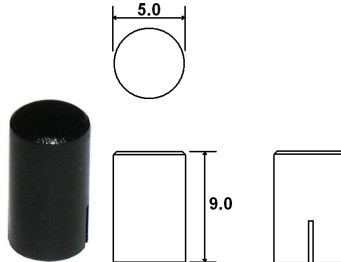
J Lead

Cap Options for S2.8 Actuator



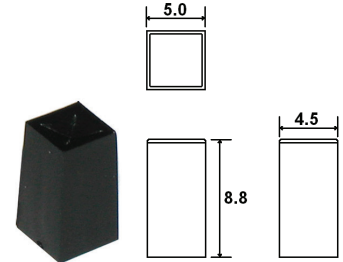
C01_

1 = White, 2 = Black, 3 = Red, 9 = Light Gray
Contact Factory for other available colors



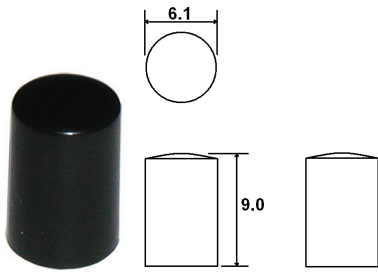
C02_

1 = White, 2 = Black, 3 = Red, 9 = Light Gray
Contact Factory for other available colors



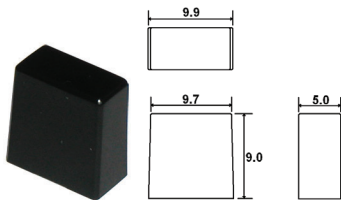
C03_

1 = White, 2 = Black, 3 = Red, 9 = Light Gray
Contact Factory for other available colors



C04_

1 = White, 2 = Black, 3 = Red, 9 = Light Gray
Contact Factory for other available colors



C05_

1 = White, 2 = Black, 3 = Red, 9 = Light Gray
Contact Factory for other available colors

Looking for pricing, stock, or lifecycle information?

Click below to explore more details on WIN SOURCE:

-  [View EXPLORIR-M-20 on WIN SOURCE](#)
-  [Gas Sensing Solutions Ltd Information](#)

Optimize Your Supply Chain with WIN SOURCE Solutions

-  Global Sourcing Solution
-  Obsolete Management
-  Cost Control Management
-  Shortage Management
-  Alternative Solution
-  Excess Inventory Management