



**THE DATASHEET OF
AWR6843ARBGALPQ1**





RF360
Europe GmbH

Data sheet

SAW Rx filter
TD-LTE band 41

Part number:	B8886
Ordering code:	B39262B8886L210
Date:	July 26, 2022
Version:	2.4

DCN: 80-PA243-209 Rev. C

Qualcomm products mentioned herein are products of Qualcomm Technologies, Inc. and/or its subsidiaries.

RF360 Europe GmbH
Anzinger Straße 13
81671 Munich, Germany

© 2022 Qualcomm Technologies, Inc. and/or its subsidiaries. All rights reserved

These materials, including the information contained herein, may be used only for informational purposes by the customer. Qualcomm Technologies, Inc. and/or its subsidiaries assume no responsibility for errors or omissions in these materials or the information contained herein and reserve the right to make changes to the product(s) or information contained herein without notice. The materials and information are provided on an AS IS basis, without warranty, either expressed or implied, with respect to the materials, or any output or results based on the use, application, or evaluation of such materials, including without limitation, with respect to the non-infringement of trademarks, patents, copyrights or any other intellectual property rights or other rights of third parties.

No use of this documentation or any information contained herein grants any license, whether express, implied, by estoppel or otherwise, to any intellectual property rights, including, without limitation, to any patents owned by QUALCOMM Incorporated or any of its subsidiaries.

Not to be used, copied, reproduced, or modified in whole or in part, nor its contents revealed in any manner to others without the express written permission of RF360 Europe GmbH.

Qualcomm is a trademark or registered trademark of Qualcomm Incorporated. Other product and brand names may be trademarks or registered trademarks of their respective owners.

This technical data may be subject to U.S. and international export, re-export, or transfer ("export") laws. Diversion contrary to U.S. and international law is strictly prohibited.

Table of contents

1	Application	4
2	Features	4
3	Package	5
4	Pin configuration	5
5	Matching circuit	6
6	Characteristics	7
7	Maximum ratings	9
8	Transmission coefficient	10
9	Reflection coefficients	11
10	Packing material	12
11	Marking	16
12	Soldering profile	17
13	Annotations	18
14	Cautions and warnings	19
15	Important notes	20

1 Application

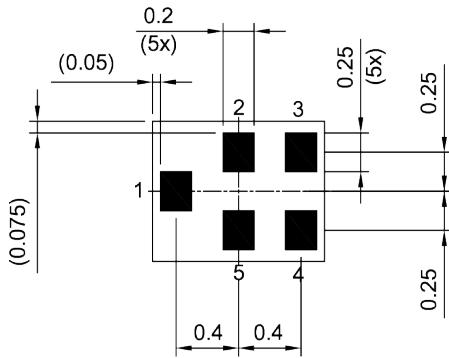
- TD-LTE Band 41 (full band) Rx filter
- TD-LTE band 41: 2593 MHz (pass band 194 MHz)
- Low-loss RF filter for mobile telephone
- Usable pass band 194 MHz
- 50Ω / 50Ω unbalanced to unbalanced operation for all filters

2 Features

- Package size 1.1 \pm 0.05 mm × 0.9 \pm 0.05 mm
- Package height 0.66 mm (max.)
- Approximate weight 1 mg
- RoHS compatible
- Package for Surface Mount Technology (SMT)
- Ni/Au-plated terminals
- Electrostatic Sensitive Device (ESD)
- Moisture Sensitivity Level 3 (MSL3)

3 Package

BOTTOM VIEW

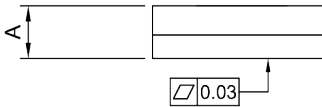


Pad and pitch tolerance ± 0.05

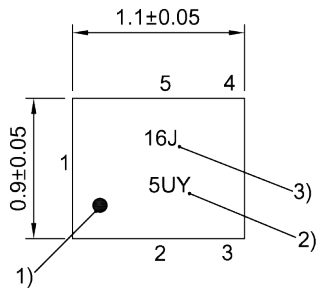
4 Pin configuration

- 1 Input
- 4 Output
- 2, 3, 5 Ground

SIDE VIEW

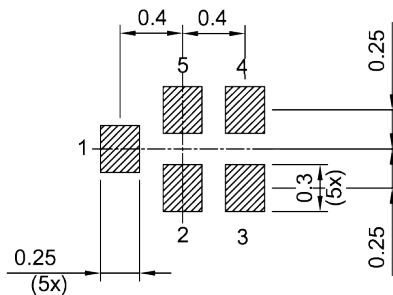


TOP VIEW



- 1) Marking for pad number 1
- 2) Example of encoded lot number
- 3) Example of encoded filter type number

Land pattern
THRU VIEW



Landing pad tolerance -0.02

Figure 1: Drawing of package with package height $A = 0.66$ mm (max.). See Sec. Package information (p. 19).

5 Matching circuit

■ $L_{p1} = 2.8 \text{ nH}$

■ $L_{p4} = 2.6 \text{ nH}$

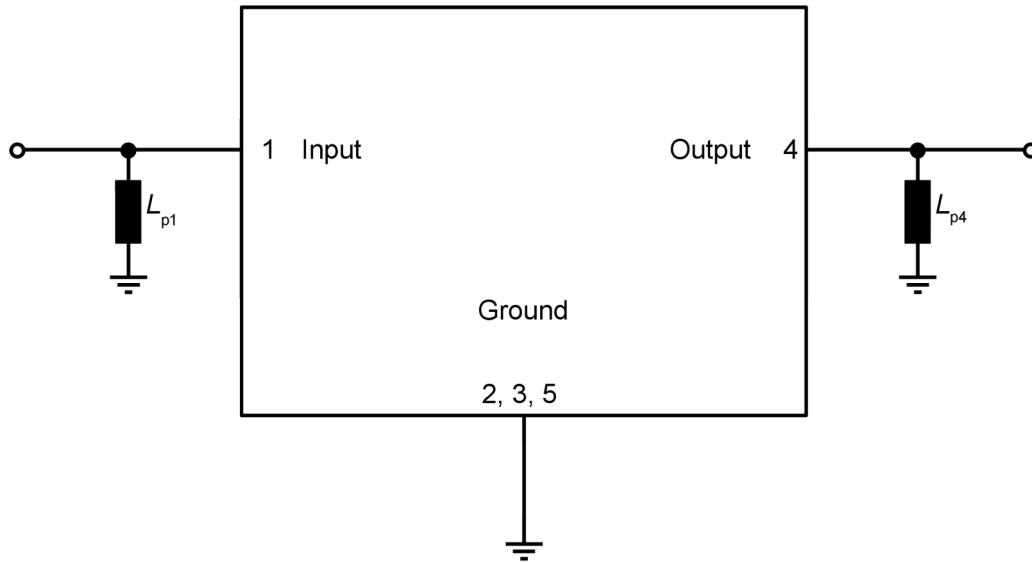


Figure 2: Schematic of matching circuit.

External shunt inductor for ESD protection is recommended at any ports towards antenna.

6 Characteristics

Temperature range for specification

$$T_{\text{SPEC}} = -30\text{ °C} \dots +85\text{ °C}$$

Input terminating impedance

$$Z_{\text{IN}} = 50\ \Omega // 2.8\ \text{nH}^{(1)}$$

Output terminating impedance

$$Z_{\text{OUT}} = 50\ \Omega // 2.6\ \text{nH}^{(1)}$$

Characteristics			min. for T_{SPEC}	typ. @ +25 °C	max. for T_{SPEC}		
Center frequency			f_c	—	2593	—	MHz
Maximum insertion attenuation			α_{max}				
	2496... 2690	MHz		—	2.1	2.7 ²⁾	dB
	2496... 2690	MHz		—	2.1	2.8	dB
	2500... 2570	MHz		—	1.7	2.2 ²⁾	dB
	2500... 2570	MHz		—	1.7	2.5	dB
	2535... 2655	MHz		—	1.8	2.3 ²⁾	dB
	2535... 2655	MHz		—	1.8	2.4	dB
Amplitude ripple (p-p)			$\Delta\alpha$				
	2496... 2690	MHz		—	0.9	1.5 ²⁾	dB
	2496... 2690	MHz		—	0.9	1.6	dB
Maximum VSWR			VSWR _{max}				
@ input port	2496... 2690	MHz		—	1.7	2.3	
@ output port	2496... 2690	MHz		—	1.6	2.3	
Average attenuation			$\alpha_{\text{WLAN,avg}}$ ³⁾				
Wi-fi Channel 1	2403... 2421	MHz		30	42	—	dB
Wi-fi Channel 2	2408... 2426	MHz		32	42	—	dB
Wi-fi Channel 3	2413... 2431	MHz		32	42	—	dB
Wi-fi Channel 4	2418... 2436	MHz		32	43	—	dB
Wi-fi Channel 5	2423... 2441	MHz		32	43	—	dB
Wi-fi Channel 6	2428... 2446	MHz		32	43	—	dB
Wi-fi Channel 7	2433... 2451	MHz		28	42	—	dB
Wi-fi Channel 8	2438... 2456	MHz		24	41	—	dB
Wi-fi Channel 9	2443... 2461	MHz		21	34	—	dB
Wi-fi Channel 10	2448... 2466	MHz		14	24	—	dB
Wi-fi Channel 11	2453... 2471	MHz		8	22	—	dB
Minimum attenuation			α_{min}				
	10... 2411	MHz		18	25	—	dB
	600... 960	MHz		45	54	—	dB
	703... 748	MHz		45	60	—	dB
	814... 849	MHz		45	57	—	dB
	880... 915	MHz		45	55	—	dB
	1166.22... 1186.68	MHz		40	46	—	dB
	1248... 1345	MHz		38	43	—	dB
	1421... 1559	MHz		34	39	—	dB
	1559.052... 1605.89	MHz		33	38	—	dB

Characteristics			min. for T_{SPEC}	typ. @ +25 °C	max. for T_{SPEC}	
	1710... 1785	MHz	28	33	—	dB
	1710... 1915	MHz	28	32	—	dB
	1850... 1915	MHz	28	32	—	dB
	1920... 1980	MHz	27	32	—	dB
	2411... 2463	MHz	8	21	—	dB
	2750... 2775	MHz	5	19	—	dB
	2775... 8000	MHz	19	24	—	dB
	3400... 3600	MHz	26	32	—	dB
	3600... 3800	MHz	30	38	—	dB
	4900... 5950	MHz	27	33	—	dB
	4992... 5380	MHz	25	35	—	dB
	5150... 5850	MHz	27	33	—	dB
	7488... 7990	MHz	25	35	—	dB
	7488... 8000	MHz	25	35	—	dB

- 1) See Sec. Matching circuit (p. 6).
- 2) Valid for typical temperature $T = +25\text{ °C}$.
- 3) Average over each WLAN channel with band width of 18 MHz.

7 Maximum ratings

Storage temperature	$T_{STG}^{2)} = -40\text{ °C} \dots +85\text{ °C}^{1)}$	
DC voltage	$ V_{DC} = 3.0\text{ V (max.)}^{3)}$	
ESD voltage		
	$V_{ESD}^{4)} = 100\text{ V (max.)}$	Machine model.
	$V_{ESD}^{5)} = 250\text{ V (max.)}$	Human body model.
	$V_{ESD}^{6)} = 700\text{ V (max.)}$	Charged device model.
Input power	P_{IN}	
@ input port: 699 ... 2400 MHz	15 dBm	Continuous wave for 3000 h @ 50 °C.
@ input port: 824 ... 960 MHz	15 dBm	GSM signal for 5000 h @ 50 °C.
@ input port: 1710 ... 1990 MHz	15 dBm	GSM signal for 5000 h @ 50 °C.
@ input port: 2496 ... 2690 MHz	15 dBm	Continuous wave for 5000 h @ 50 °C.

¹⁾ Extended upperlimit: 96h@125°C acc. to IEC 60068-2-2 Bb.

²⁾ Not valid for packaging material. Storage temperature for packaging material is -25 °C to +40 °C.

³⁾ 168h Damp Heat Steady State according to IEC 60068-2-67 Cy.

⁴⁾ According to JESD22-A115B (MM – Machine Model), 10 negative & 10 positive pulses.

⁵⁾ According to JESD22-A114F (HBM – Human Body Model), 1 negative & 1 positive pulse.

⁶⁾ According to JESD22-C101C (CDM – Field Induced Charged Device Model), 3 negative & 3 positive pulses.

8 Transmission coefficient

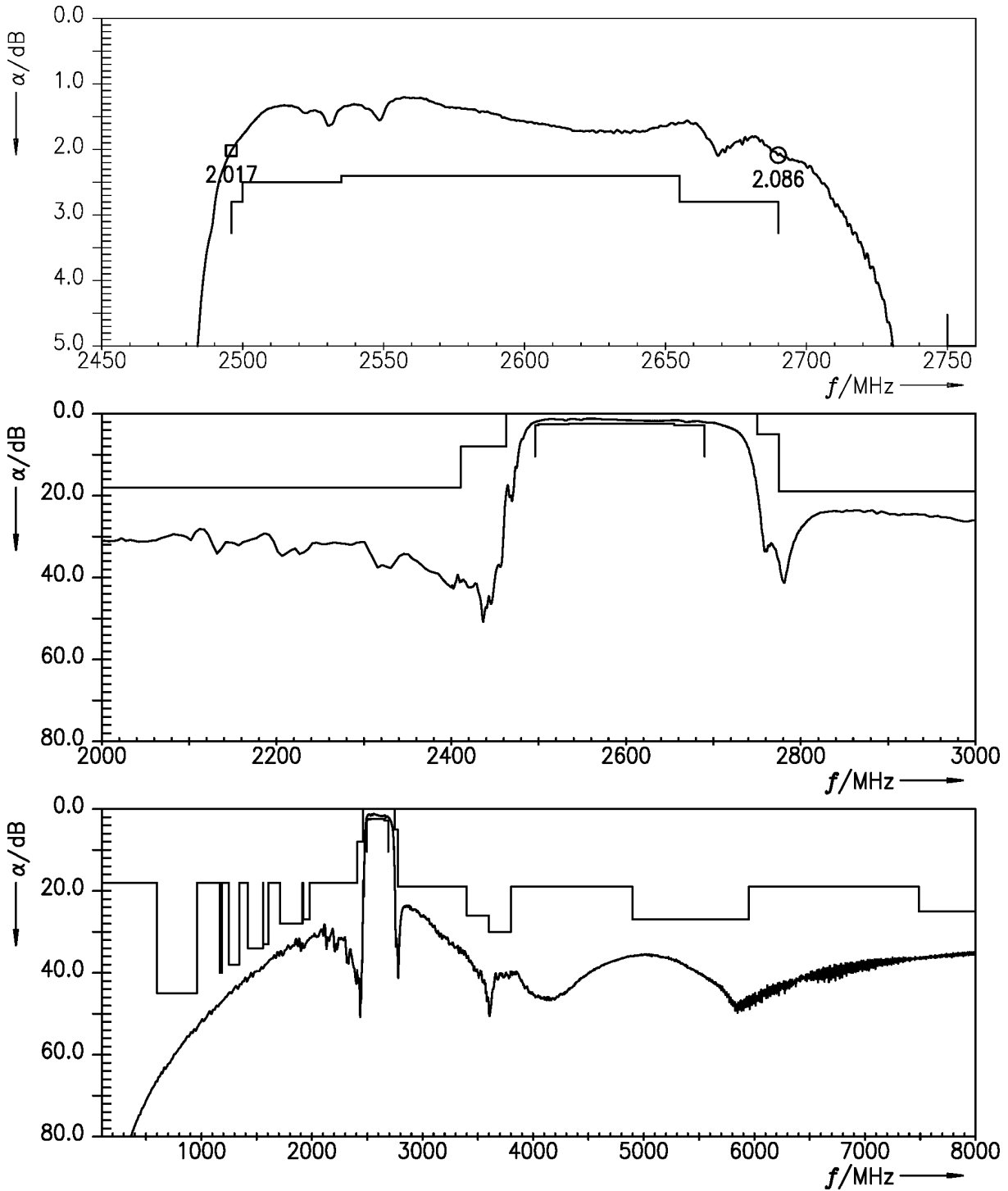


Figure 3: Attenuation.

9 Reflection coefficients

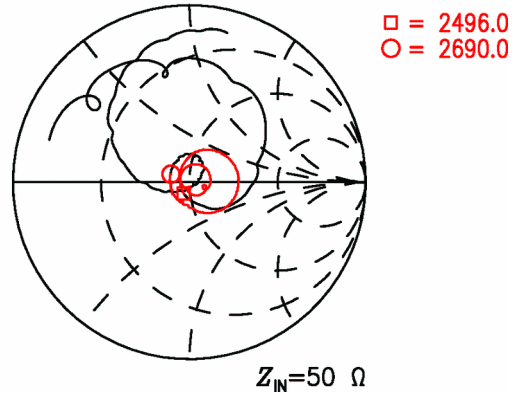
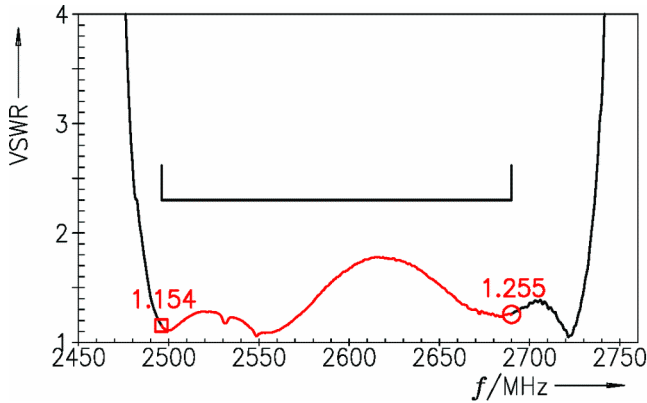


Figure 4: Reflection coefficient at input port.

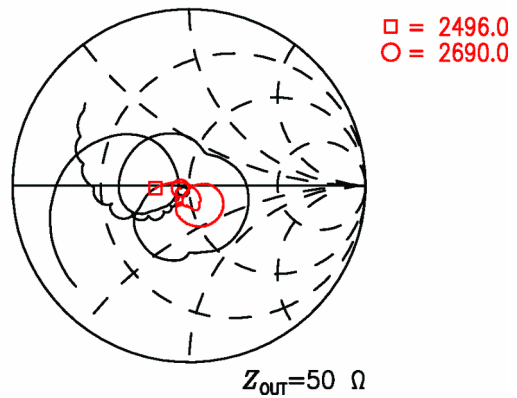
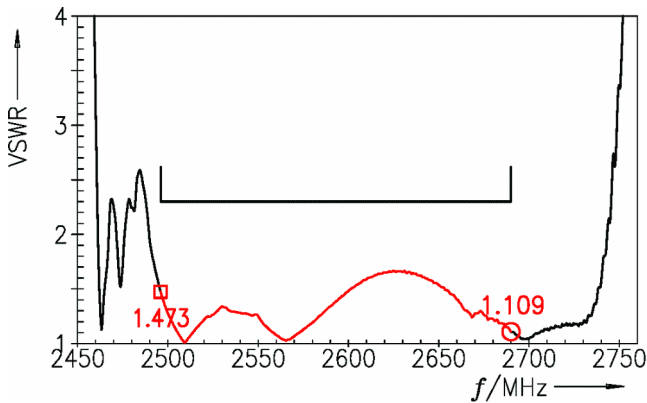


Figure 5: Reflection coefficient at output port.

10 Packing material

10.1 Tape

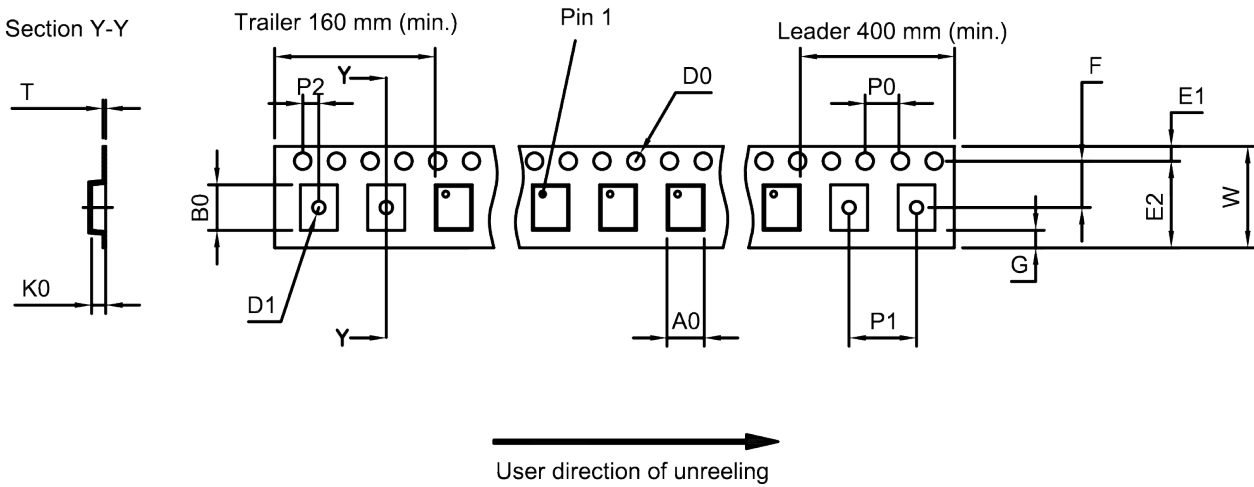


Figure 6: Drawing of tape (first-angle projection) for illustration only and not to scale. The valid tape dimensions are listed in Table 1.

A ₀	1.1±0.05 mm	E ₂	-	P ₁	2.0±0.1 mm
B ₀	1.3±0.05 mm	F	3.5±0.05 mm	P ₂	2.0±0.05 mm
D ₀	1.5+0.1/-0 mm	G	-	T	0.25±0.03 mm
D ₁	0.4±0.05 mm	K ₀	0.76±0.03 mm	W	8.0±0.1 mm
E ₁	1.75±0.1 mm	P ₀	4.0±0.1 mm		

Table 1: Tape dimensions.

10.2 Reel with diameter of 180 mm

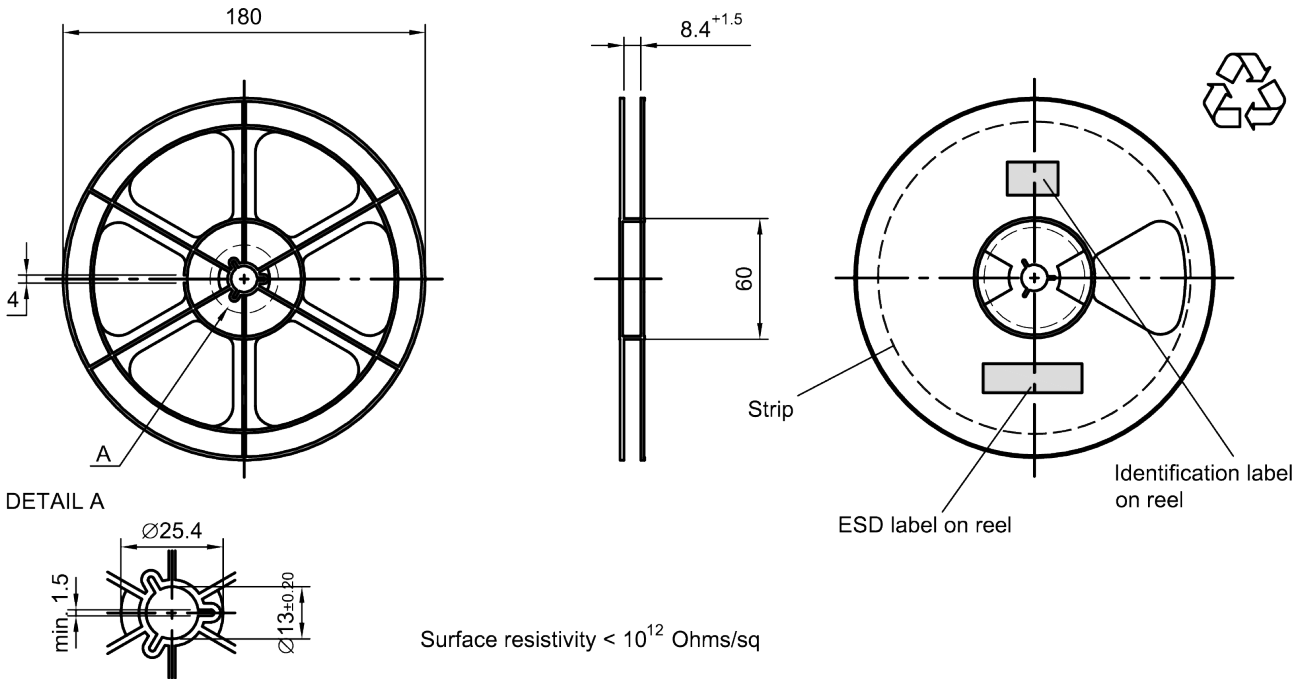


Figure 7: Drawing of reel (first-angle projection) with diameter of 180 mm.

Dimensions [mm]

X = 220+5

Y = 235+5

Sealing area 10±3

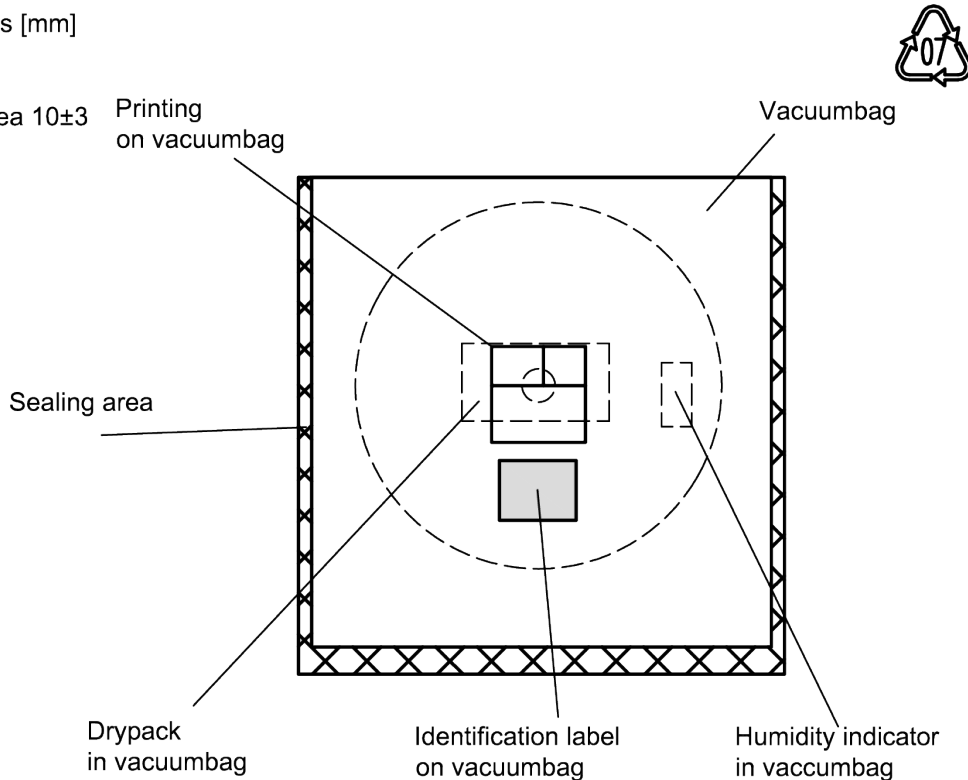


Figure 8: Drawing of moisture barrier bag (MBB) for reel with diameter of 180 mm.

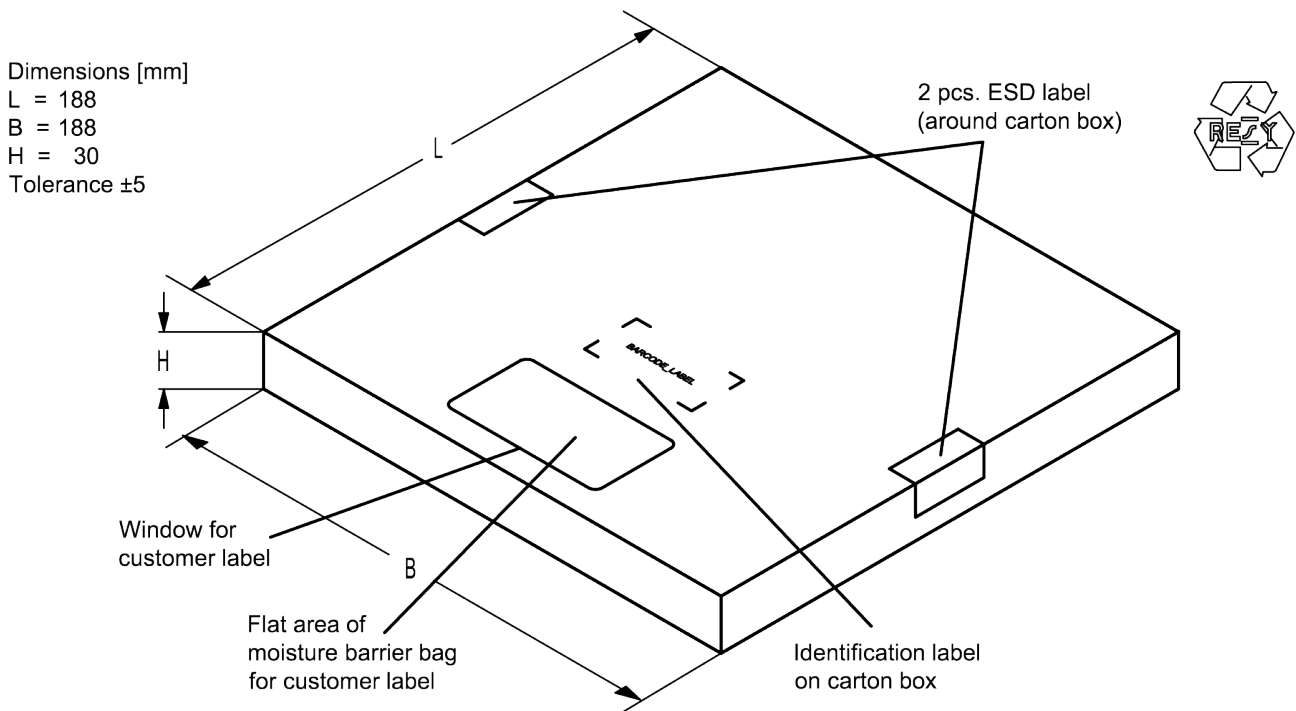


Figure 9: Drawing of folding box for reel with diameter of 180 mm.

10.3 Reel with diameter of 330 mm

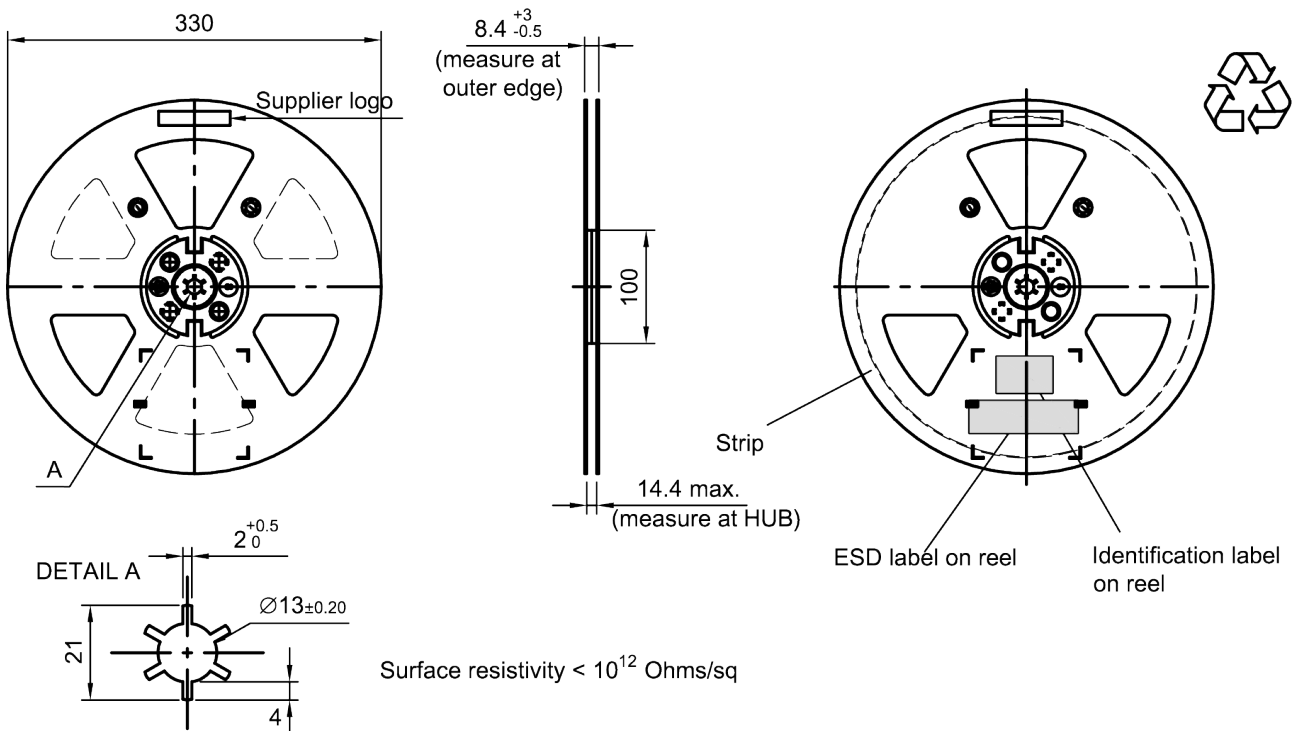


Figure 10: Drawing of reel (first-angle projection) with diameter of 330 mm.

Dimensions [mm]

X = 400+5

Y = 418+5

Sealing area 10±3

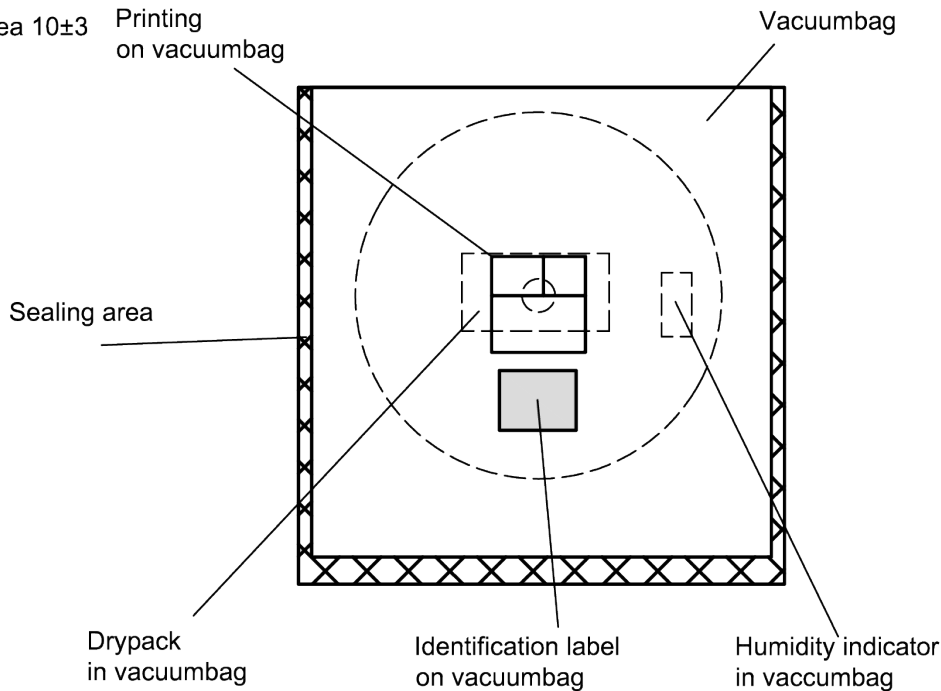


Figure 11: Drawing of moisture barrier bag (MBB) for reel with diameter of 330 mm.

Dimensions [mm]

L = 335

B = 338

H = 36 (for 8 mm tape width)

40 (for 12 mm tape width)

Tolerance ±5

2 pcs. ESD label
(around carton box)

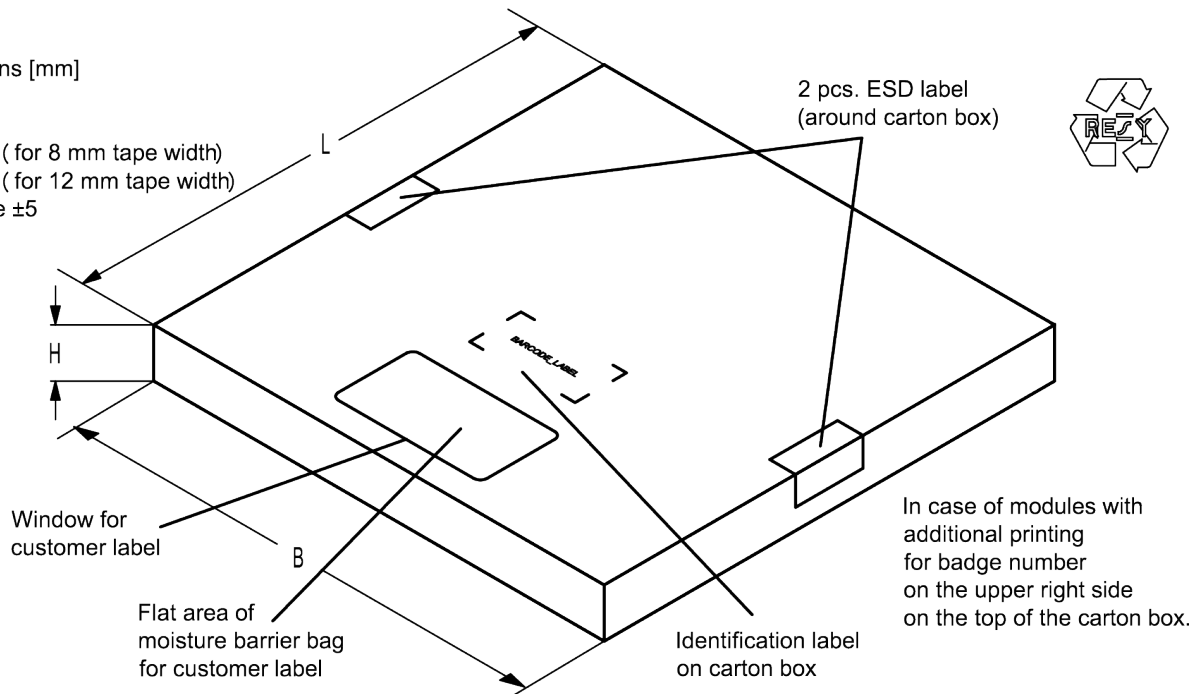


Figure 12: Drawing of folding box for reel with diameter of 330 mm.

11 Marking

Products are marked with product type number and lot number encoded according to Table 2:

■ Type number:

The 4 digit type number of the ordering code, e.g., B3xxxxB**1234**xxxx,
is encoded by a special BASE32 code into a 3 digit marking.

Example of decoding type number marking on device in decimal code.
16J => **1234**
 $1 \times 32^2 + 6 \times 32^1 + 18 (=J) \times 32^0 =$ **1234**

The BASE32 code for product type B8886 is 8NP.

■ Lot number:

The last 5 digits of the lot number, e.g., **12345**,
are encoded based on a special BASE47 code into a 3 digit marking.

Example of decoding lot number marking on device in decimal code.
5UY => **12345**
 $5 \times 47^2 + 27 (=U) \times 47^1 + 31 (=Y) \times 47^0 =$ **12345**

Adopted BASE32 code for type number			
Decimal value	Base32 code	Decimal value	Base32 code
0	0	16	G
1	1	17	H
2	2	18	J
3	3	19	K
4	4	20	M
5	5	21	N
6	6	22	P
7	7	23	Q
8	8	24	R
9	9	25	S
10	A	26	T
11	B	27	V
12	C	28	W
13	D	29	X
14	E	30	Y
15	F	31	Z

Adopted BASE47 code for lot number			
Decimal value	Base47 code	Decimal value	Base47 code
0	0	24	R
1	1	25	S
2	2	26	T
3	3	27	U
4	4	28	V
5	5	29	W
6	6	30	X
7	7	31	Y
8	8	32	Z
9	9	33	b
10	A	34	d
11	B	35	f
12	C	36	h
13	D	37	n
14	E	38	r
15	F	39	t
16	G	40	v
17	H	41	\
18	J	42	?
19	K	43	{
20	L	44	}
21	M	45	<
22	N	46	>
23	P		

Table 2: Lists for encoding and decoding of marking.

12 Soldering profile

The recommended soldering process is in accordance with IEC 60068-2-58 – 3rd edit and IPC/JEDEC J-STD-020B.

ramp rate	≤ 3 K/s
preheat	125 °C to 220 °C, 150 s to 210 s, 0.4 K/s to 1.0 K/s
$T > 220\text{ °C}$	30 s to 70 s
$T > 230\text{ °C}$	min. 10 s
$T > 245\text{ °C}$	max. 20 s
$T \geq 255\text{ °C}$	–
peak temperature T_{peak}	250 °C +0/-5 °C
wetting temperature T_{min}	230 °C +5/-0 °C for 10 s ± 1 s
cooling rate	≤ 3 K/s
soldering temperature T	measured at solder pads

Table 3: Characteristics of recommended soldering profile for lead-free solder (Sn95.5Ag3.8Cu0.7).

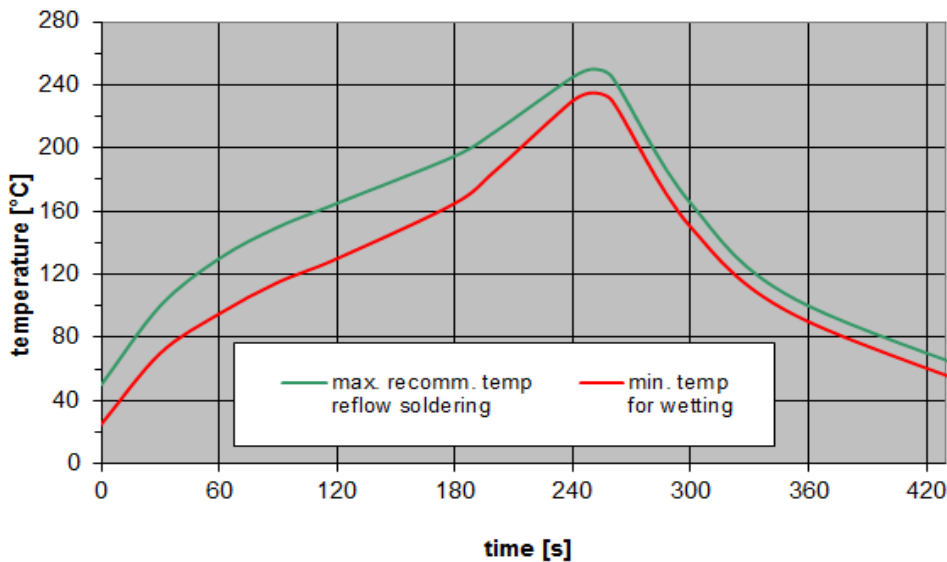


Figure 13: Recommended reflow profile for convection and infrared soldering – lead-free solder.

13 Annotations

13.1 RoHS compatibility

ROHS-compatible means that products are compatible with the requirements according to Art. 4 (substance restrictions) of Directive 2011/65/EU of the European Parliament and of the Council of June 8th, 2011, on the restriction of the use of certain hazardous substances in electrical and electronic equipment ("Directive") with due regard to the application of exemptions as per Annex III of the Directive in certain cases.

13.2 Scattering parameters (S-parameters)

The pin/port assignment is available in the headers of the S-parameter files. Please contact your local RF360 sales office.

13.3 Ordering codes, product IDs, labels, and packing units

Ordering code	Product ID	RF360 label	Packing unit
B39262B8886L210	B39262-B8886-L210-S05	B39262B8886L210S 5	5000 pcs
	B39262-B8886-L210-W05	B39262B8886L210W 5	5000 pcs

Table 4: Ordering codes / product IDs and packing units. Shipment will come from either Singapore or Wuxi location.

14 Cautions and warnings

14.1 Display of ordering codes for RF360 products

The ordering code for one and the same product can be represented differently in data sheets, data books, other publications and the website of RF360, or in order-related documents such as shipping notes, order confirmations and product labels. The varying representations of the ordering codes are due to different processes employed and do not affect the specifications of the respective products. Detailed information can be found on the Internet under <https://rfe.qualcomm.com/>.

14.2 Material information

Due to technical requirements components may contain dangerous substances. For information on the type in question please also contact one of our sales offices.

For information on recycling of tapes and reels please contact one of our sales offices.

14.3 Moldability

Before using in overmolding environment, please contact your local RF360 sales office.

14.4 Package information

Landing area

The printed circuit board (PCB) land pattern (landing area) shown is based on RF360 internal development and empirical data and illustrated for example purposes, only. As customers' SMD assembly processes may have a plenty of variants and influence factors which are not under control or knowledge of RF360, additional careful process development on customer side is necessary and strongly recommended in order to achieve best soldering results tailored to the particular customer needs.

Dimensions

Unless otherwise specified all dimensions are understood using unit millimeter (mm).

Projection method

Unless otherwise specified first-angle projection is applied.

15 Important notes

The following applies to all products named in this publication:

1. Some parts of this publication contain **statements about the suitability of our products for certain areas of application**. These statements are based on our knowledge of typical requirements that are often placed on our products in the areas of application concerned. We nevertheless expressly point out **that such statements cannot be regarded as binding statements about the suitability of our products for a particular customer application**. As a rule, RF360 Europe GmbH and its affiliates are either unfamiliar with individual customer applications or less familiar with them than the customers themselves. For these reasons, it is always ultimately incumbent on the customer to check and decide whether an RF360 product with the properties described in the product specification is suitable for use in a particular customer application.
2. We also point out that **in individual cases, a malfunction of electronic components or failure before the end of their usual service life cannot be completely ruled out in the current state of the art, even if they are operated as specified**. In customer applications requiring a very high level of operational safety and especially in customer applications in which the malfunction or failure of an electronic component could endanger human life or health (e.g. in accident prevention or life-saving systems), it must therefore be ensured by means of suitable design of the customer application or other action taken by the customer (e.g. installation of protective circuitry or redundancy) that no injury or damage is sustained by third parties in the event of malfunction or failure of an electronic component.
3. **The warnings, cautions and product-specific notes must be observed.**
4. In order to satisfy certain technical requirements, **some of the products described in this publication may contain substances subject to restrictions in certain jurisdictions (e.g. because they are classed as hazardous)**. Useful information on this will be found in our Material Data Sheets on the Internet (<https://rfe.qualcomm.com>). Should you have any more detailed questions, please contact our sales offices.
5. We constantly strive to improve our products. Consequently, **the products described in this publication may change from time to time**. The same is true of the corresponding product specifications. Please check therefore to what extent product descriptions and specifications contained in this publication are still applicable before or when you place an order. We also **reserve the right to discontinue production and delivery of products**. Consequently, we cannot guarantee that all products named in this publication will always be available.
The aforementioned does not apply in the case of individual agreements deviating from the foregoing for customer-specific products.

Looking for pricing, stock, or lifecycle information?

Click below to explore more details on WIN SOURCE:

 [View AWR6843ARBGALPQ1](#) on WIN SOURCE

 [Texas Instruments](#) Information

Optimize Your Supply Chain with WIN SOURCE Solutions

-  Global Sourcing Solution
-  Obsolete Management
-  Cost Control Management
-  Shortage Management
-  Alternative Solution
-  Excess Inventory Management