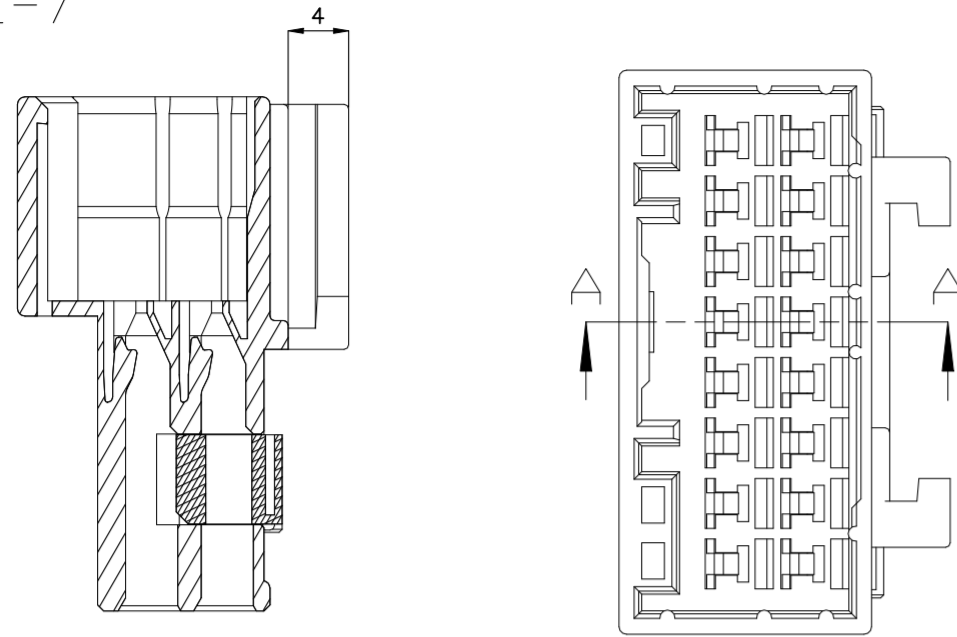




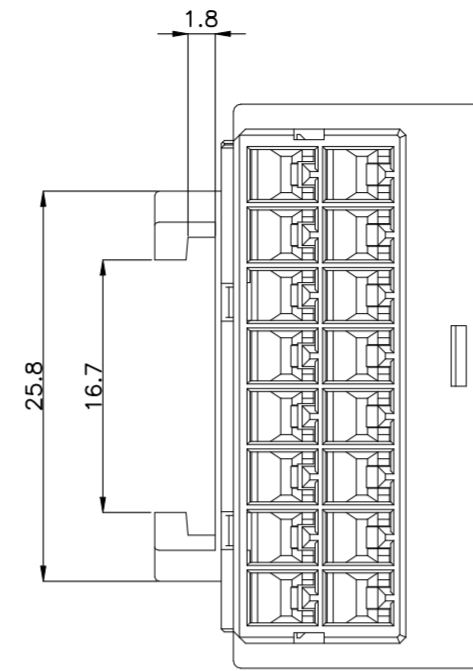
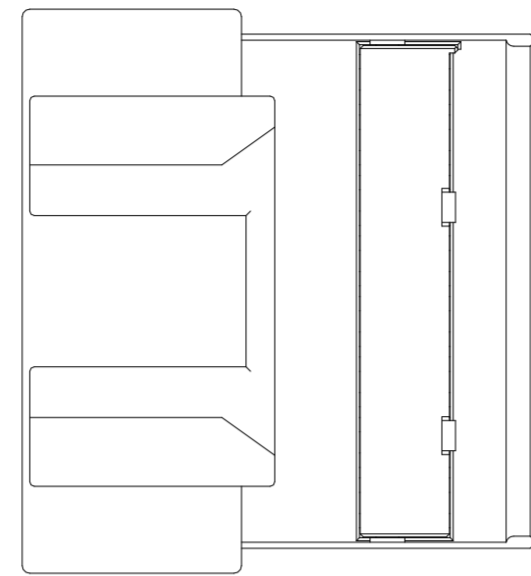
**THE DATASHEET OF**  
**963040-3**



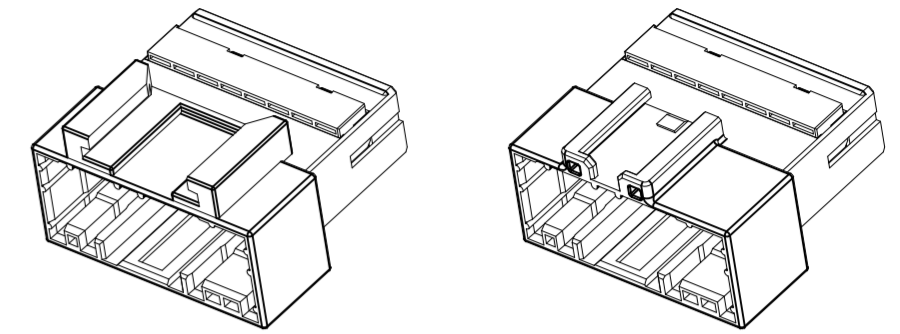
TYPE B (DELPHI CLIP MOUNTING TYPE)  
1-936211-7



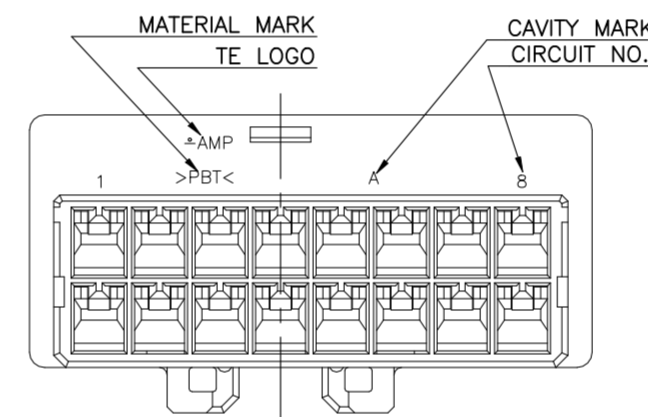
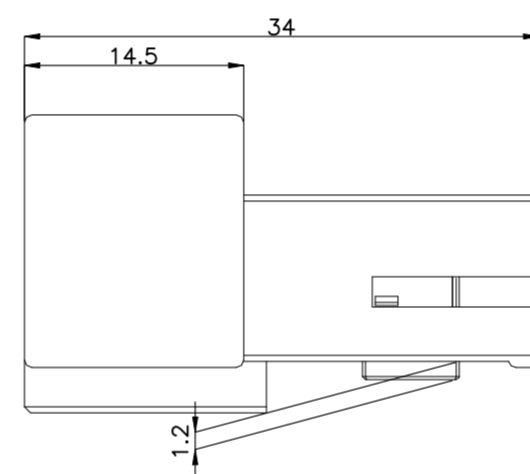
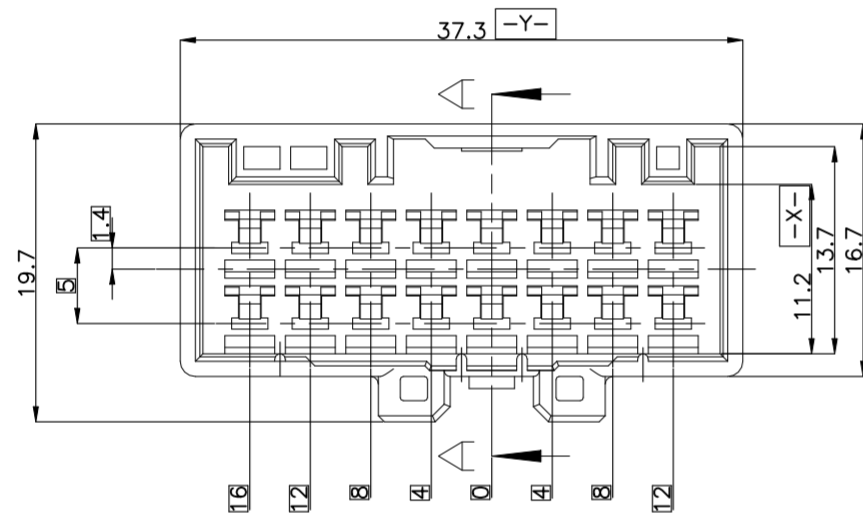
SECTION A-A



REVISIONS					
P	LTR	DESCRIPTION	DATE	DWN	APVD
C4		REVISED ECR-22-135112	06APR2022	CI	YJ



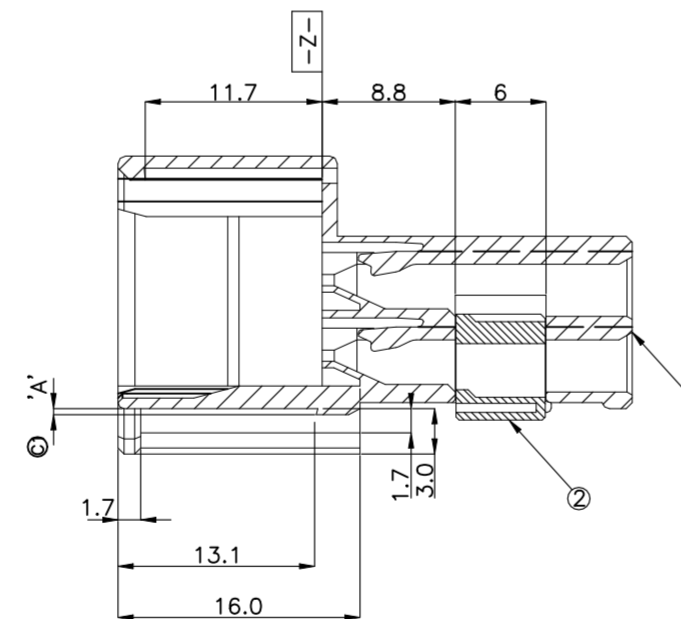
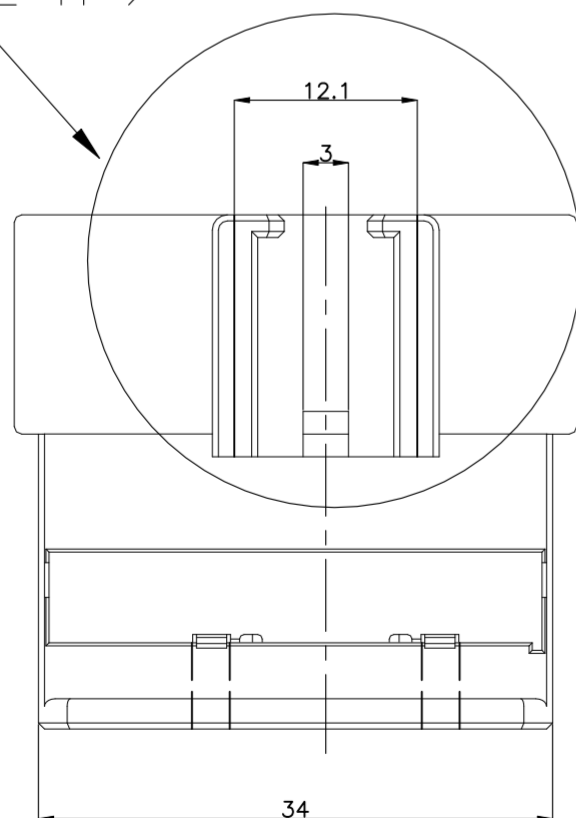
SCALE 1/2  
3D VIEW



NO.	TYPE	DIMENSION 'A'
1	TYPE A	0.4
2	TYPE C	0.7

- NOTES.
- THE MATING HSG. P/N ; 936201
  - APPLIED CONTACT P/N ; 090 II TAB.- 368086, 368087, 368088, 1897752
  - ADAPTABLE CLIP P/N OF 2-936211-6: 1743455-X

< TYPE A >



SECTION A-A

NO	COLOR	MATERIAL	DESCRIPTION	QTY
1	RED	PBT	CAP (TYPE C)	1
	GREEN	PBT	CAP (TYPE B)	1
	BLUE	PBT	CAP (TYPE A)	1
	GREEN	PBT	CAP (TYPE A)	1
	RED	PBT	CAP (TYPE A)	1
	YELLOW	PBT	CAP (TYPE A)	1
	BROWN	PBT	CAP (TYPE A)	1
	L/GRAY	PBT	CAP (TYPE A)	1
	BLACK	PBT	CAP (TYPE A)	1
	NATURAL	PBT	CAP (TYPE A)	1
2	NATURAL	PBT	DBL	1 1 1 1 1 1 1 1 1 1 1 1

TOLERANCES UNLESS OTHERWISE SPECIFIED:

0 <XX<10	± 0.2
10<XX<30	± 0.25
30<XX	± 0.3
ANGLES	± 3°

THIS DRAWING IS A CONTROLLED DOCUMENT.


DIMENSIONS:	TOLERANCES UNLESS OTHERWISE SPECIFIED:
mm	0 PLC ± -
	1 PLC ± -
	2 PLC ± -
	3 PLC ± -
	4 PLC ± -
	ANGLES ± -
MATERIAL	FINISH
SEE TABLE	-

DWN	JM JEON	NAME	TE Connectivity		
CHK	JM JEON	PRODUCT SPEC	090III 16P CAP ASS'Y		
APVD	JW JUNG	APPLICATION SPEC	-		
WEIGHT	0	SIZE	A2	CAGE CODE	00779
CUSTOMER DRAWING		DRAWING NO	C=936211		RESTRICTED TO
		SCALE	2:1	SHEET	1 of 1
		REV	C4		

936211  
OBSOLETE  
OBSOLETE

## Looking for pricing, stock, or lifecycle information?

Click below to explore more details on WIN SOURCE:

 [View 963040-3 on WIN SOURCE](#)

 [TE Connectivity](#) Information

## Optimize Your Supply Chain with WIN SOURCE Solutions

-  Global Sourcing Solution
-  Obsolete Management
-  Cost Control Management
-  Shortage Management
-  Alternative Solution
-  Excess Inventory Management