



THE DATASHEET OF
8195

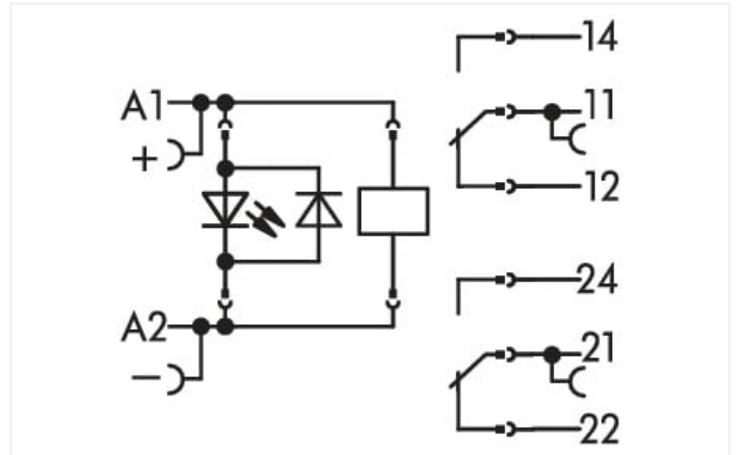
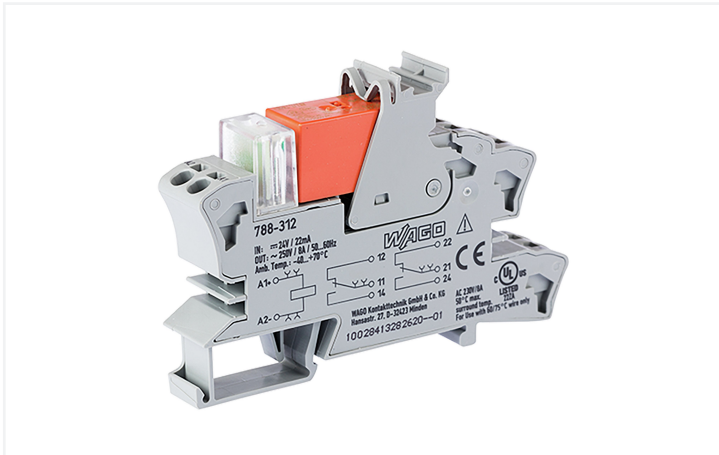


Data Sheet | Item Number: 788-312

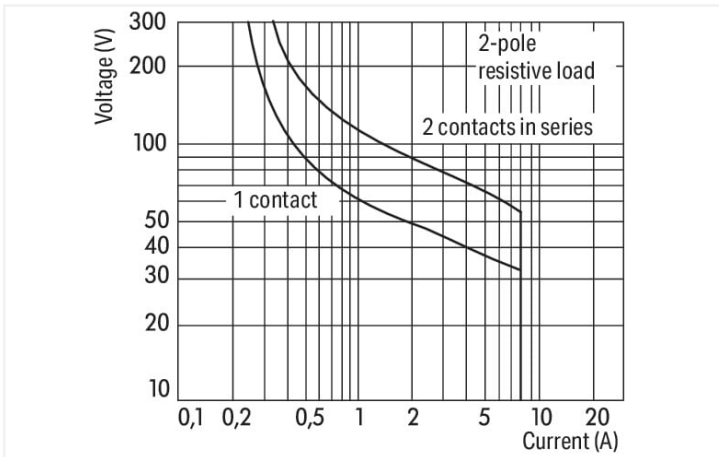
Relay module; Nominal input voltage: 24 VDC; 2 changeover contacts; Limiting continuous current: 8 A; Red status indicator; Module width: 15 mm; 2,50 mm²; gray



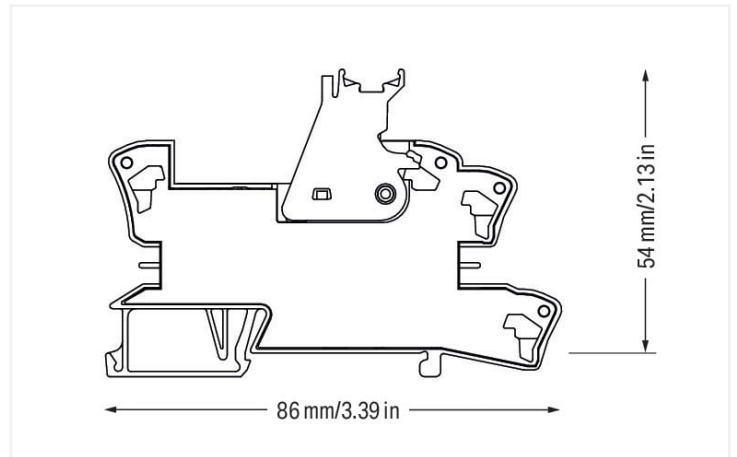
<https://www.wago.com/788-312>



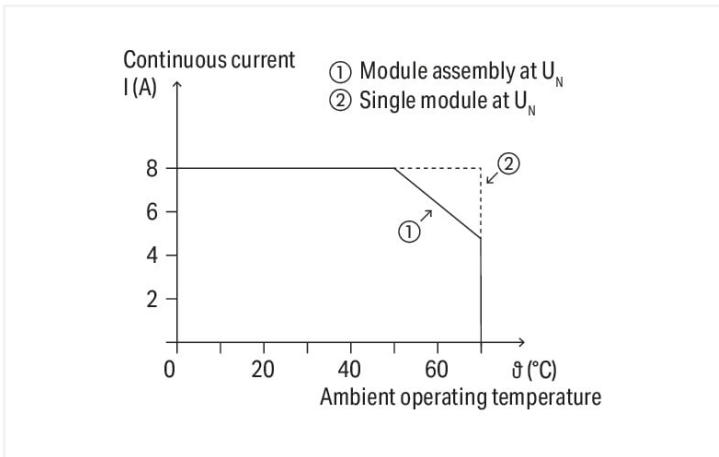
Color: ■ gray



DC load limit curve



Dimensions in mm



Current-carrying capacity curve

Notes

| | |
|--------------------|---|
| Safety information | A separator plate (e.g., 209-191) must be used for voltages greater than 250 V between adjacent relay modules and for compliance with the reinforced insulation requirements. |
| Note | Reinforced insulation between coil and contacts To protect the relay coils and contacts, inductive loads must be dampened with an effective protection circuit. |

Technical data

Control circuit

| | |
|--------------------------------|------------|
| Nominal input voltage U_N | DC 24 V |
| Input voltage range | $\pm 10\%$ |
| Nominal input current at U_N | 19 mA |

Load circuit

| | |
|--|--|
| Number of changeover/switchover contacts | 2 |
| Contact material (relay) | AgNi 90/10 |
| Limiting continuous current | 8 A |
| Inrush current (resistive) max. | (AC) 15 A / 4 s |
| Switching voltage (max.) | AC 250 V |
| Switching power (resistive) max. | AC 2000 VA; DC (see load limit curve) |
| Switching capacity | AC-15: 3 A / AC 250 V; DC-13: 2 A / DC 24 V |
| Recommended minimum load | 12 V / 10 mA |
| Pull-in time (typ.) | 8 ms |
| Drop-out time (typ.) | 13 ms |
| Bounce time (typ.) | 10 ms |
| Electrical life (NO; resistive load; 23 °C) | 10×10^3 switching operations |
| Mechanical life | 30×10^6 switching operations |
| Switching frequency with/without load (max.) | 6 min^{-1} / 1200 min^{-1} |

Signaling

| | |
|------------------|---------|
| Status indicator | Red LED |
|------------------|---------|

Safety and protection

| | |
|--|---|
| Rated voltage | 250 V |
| Rated surge voltage | 4 kV |
| Pollution degree | 3 |
| Dielectric strength (control/load circuit) (AC, 1 min) | 5 kVrms |
| Dielectric strength (open contact) (AC, 1 min) | 1 kVrms |
| Dielectric strength (load/load circuit) (AC, 1 min) | 2.5 kVrms |
| Safety information | A separator plate (e.g., 209-191) must be used for voltages greater than 250 V between adjacent relay modules and for compliance with the reinforced insulation requirements. |
| Protection type | IP20 |

Connection data

| | |
|-------------------------|--|
| Connection technology | Push-in CAGE CLAMP® |
| Solid conductor | 0.34 ... 2.5 mm ² / 22 ... 14 AWG |
| Fine-stranded conductor | 0.34 ... 2.5 mm ² / 22 ... 14 AWG |
| Strip length | 9 ... 10 mm / 0.35 ... 0.39 inches |

Physical data

| | |
|-----------------------------------|----------------------|
| Width | 15 mm / 0.591 inches |
| Height | 86 mm / 3.386 inches |
| Depth from upper-edge of DIN-rail | 54 mm / 2.126 inches |

Mechanical data

| | |
|---------------|-------------|
| Mounting type | DIN-35 rail |
|---------------|-------------|

Material data

| | |
|-----------|----------|
| Color | gray |
| Fire load | 1.357 MJ |
| Weight | 45.5 g |

Environmental requirements

| | |
|--|--|
| Ambient temperature (operation at U_N) | -40 ... +70 °C |
| Ambient temperature UL (operation at U_N) | -40 ... +50 °C |
| Ambient temperature (storage) | -40 ... +70 °C |
| Processing temperature | -25 ... +50 °C |
| Temperature range of connection cable | $\geq (T_{\text{ambient}} + 20 \text{ K})$ |

Standards and specifications

| | |
|--------------------------|--|
| Standards/specifications | EN 61010-2-201 EN 61810-1 EN 61373 UL 508 |
|--------------------------|--|

Basic relay

| | |
|------------------|---------|
| WAGO Basic Relay | 788-156 |
|------------------|---------|

Commercial data

| | |
|-----------------------|--------------------------|
| Product Group | 6 (INTERFACE ELECTRONIC) |
| eCl@ss 10.0 | 27-37-16-01 |
| eCl@ss 9.0 | 27-37-16-01 |
| ETIM 8.0 | EC001437 |
| ETIM 7.0 | EC001437 |
| PU (SPU) | 20 (1) pcs |
| Packaging type | Box |
| Country of origin | CN |
| GTIN | 4055143184137 |
| Customs tariff number | 85364900990 |

Environmental Product Compliance

| | |
|---|--------------------------------------|
| CAS-No. | 80-05-7 |
| REACH Candidate List Substance | 4,4'-isopropylidenediphenol |
| RoHS Compliance Status | Compliant, No Exemption |
| SCIP notification number (Austria) | 24d2c028-d78a-47d5-854b-7e27c80364cd |
| SCIP notification number (Belgium) | 5ac37397-baae-4e58-a3d3-61435578db9f |
| SCIP notification number (Bulgaria) | de1cb4da-97c0-4008-9269-da951ab1ef16 |
| SCIP notification number (Czech Republic) | c403f750-ef31-42a4-aad9-12e1c6f4fe05 |
| SCIP notification number (Denmark) | 08d49e8e-6e93-4346-8e74-784ca6f59bef |
| SCIP notification number (Finland) | d1c1e038-ca63-45b9-b8ad-df061b16ed25 |
| SCIP notification number (France) | 853c5f70-bd31-4f01-9c72-acb268d802cd |
| SCIP notification number (Germany) | 29efa91e-de52-404a-a3b5-7a02ea50bbb5 |
| SCIP notification number (Hungary) | 05ecf633-f69c-4fac-b89c-9c17adcb3af3 |
| SCIP notification number (Italy) | d0c19709-ee3b-4706-ba8a-2fcbb782cda1 |
| SCIP notification number (Netherlands) | d263f759-daa0-4cac-a565-b787a6062566 |
| SCIP notification number (Poland) | 252526f9-7a88-4d6b-b7b5-7ba6d6981d94 |
| SCIP notification number (Romania) | d9b9f293-6b25-417a-96e3-84fe7cee93b2 |
| SCIP notification number (Sweden) | 522525c4-ff5a-471a-bb93-f6be7d85275a |

Approvals / Certificates

General approvals



| Approval | Standard | Certificate Name |
|---|----------------|---------------------------------|
| EAC Brjansker Zertifizierungsstelle | TP TC 004/2011 | EAC RU C-DE.AM02. B.00122/19 |
| UL Underwriters Laboratories Inc. (ORDINARY LOCATIONS) | UL 508 | E175199 Vol.1 Sec.6 |

Declarations of conformity and manufacturer's declarations

| Approval | Standard | Certificate Name |
|--|----------|------------------|
| EU-Declaration of Conformity WAGO GmbH & Co. KG | - | - |
| UK-Declaration of Conformity WAGO GmbH & Co. KG | - | - |

Downloads

Environmental Product Compliance

Compliance Search

| | |
|--|---|
| Environmental Product Compliance 788-312 | ↓ |
|--|---|

Documentation

Bid Text

| | | | |
|----------------------------|------------|------------------|---|
| 788-312 | 25.01.2019 | docx 16.40 KB | ↓ |
| 788-312 | 19.02.2019 | xml 4.60 KB | ↓ |
| ausschreiben.de 788-312 | | | ↓ |

Instruction Leaflet

| | | | |
|------------------------------------|-----------------------|-------------------|---|
| Sockets with Elementary Relay/ SSR | V 1.0.1 09.10.2020 | pdf 2271.22 KB | ↓ |
|------------------------------------|-----------------------|-------------------|---|

CAD/CAE-Data

CAD data

2D/3D Models 788-312



CAE data

EPLAN Data Portal
788-312



WSCAD Universe
788-312

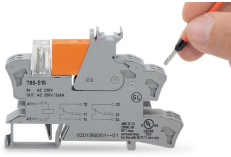


ZUKEN Portal 788-312



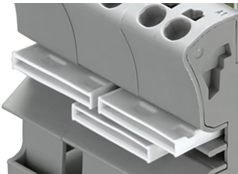
Installation Notes

Conductor termination



Conductor termination

Commoning



Easy commoning using adjacent jumpers



Marking



Marking using WMB Multi markers and group marker carriers.

Looking for pricing, stock, or lifecycle information?

Click below to explore more details on WIN SOURCE:

-  [View 8195 on WIN SOURCE](#)
-  [Radial Magnets, Inc. Information](#)

Optimize Your Supply Chain with WIN SOURCE Solutions

-  Global Sourcing Solution
-  Obsolete Management
-  Cost Control Management
-  Shortage Management
-  Alternative Solution
-  Excess Inventory Management