



**THE DATASHEET OF**  
**1981561-2**



LOC	DIST	REVISIONS			
P	LTR	DESCRIPTION	DATE	DWN	APVD
AD	00	B3	REVISED PER ECO-11-004820	11MAR11	RK HMR

SPECIFICATIONS:  
BREAK BEFORE MAKE

**MATERIALS:**

FRAME: STEEL,ZINC PLATE  
ACTUATOR: PBT, UL94V0, FINISH: SEE TABLE

TERMINAL/FIXED CONTACT: COPPER ALLOY, AG OVER NI  
OR AU OVER NI PLATE.

MOVING CONTACT: COPPER ALLOY, AG OVER NI  
OR AU OVER NI PLATE

TERMINAL BOARD: PHENOLIC, UL94HB  
SPRING: CARBON STEEL WIRE

**ELECTRICAL:**

CONTACT RATING, 250MILLIAMP @ 125V AC,  
150MILLIAMP @ 12V DC  
CONTACT RESISTANCE, 30 MILLIOHMS MAX (INITIAL),  
60 MILLIOHMS AFTER TEST  
INSULATION RESISTANCE: 500 MEGOHMS MIN.  
DIELECTRIC STRENGTH: 500 VOLTS RMS @SEA LEVEL  
LIFE EXPECTANCY: 10,000 CYCLES MIN. NO LOAD,  
6,000 AT RATED CURRENT.

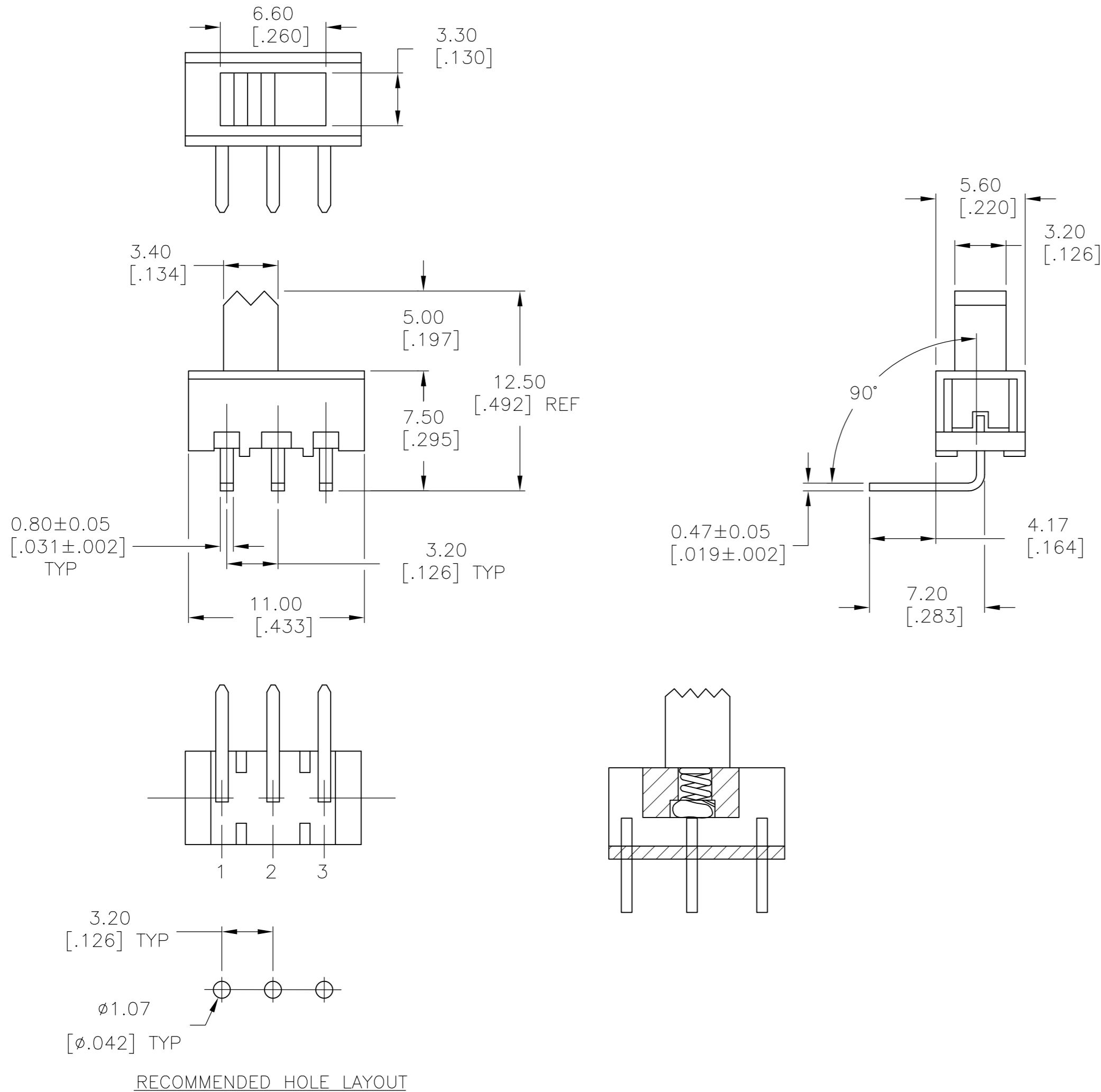
**MECHANICAL:**

ACTUATION FORCE, 250 +150/-100 GRAMS  
TRAVEL, 3.20(.126)

**ENVIRONMENTAL:**

OPERATING TEMPERATURE: -10°C TO +85°C  
STORAGE TEMPERATURE: -10°C TO +85°C  
RESISTANCE TO SOLDER HEAT, 260°C FOR 10 SEC  
PER 109-202, CONDITION B  
SOLDERABILITY PER EIA-364-56A, PROCEDURE 3,  
CONDITION B

- 1 ALL MATERIALS AND FINISHES SHALL COMPLY WITH EU DIRECTIVE 2002/95/EC OF 27 JAN2003 (ROHS)
- 2 ALL PERFORMANCE SPECIFICATIONS WERE TESTED IN ACCORDANCE WITH JIS-C-5441 UNLESS OTHERWISE STATED.



NATURAL	GOLD	1-2	2-3	SLS121NRAG04	1825116-3
NATURAL	SILVER	1-2	2-3	SLS121NRA04	1825116-2
BLACK	SILVER	1-2	2-3	SLS121RA04	1825116-1
		LEFT	RIGHT		
ACTUATOR FINISH	FINISH	ACTUATOR POSITION		ALCO P/N	PART NO

THIS DRAWING IS A CONTROLLED DOCUMENT.		DWN B S VISWESWARA	01MAR05		
DIMENSIONS: mm [INCHES]		CHK M S SARVER	TE Connectivity		
TOLERANCES UNLESS OTHERWISE SPECIFIED:		APVD -	SLIDE SWITCH, SPDT, RIGHT ANGLE (SLS121RA)		
0 PLC ± -		PRODUCT SPEC -	SIZE A2	CAGE CODE 00779	DRAWING NO 1825116
1 PLC ± -		APPLICATION SPEC -	SCALE 1:1	SHEET 1 OF 1	REV B3
2 PLC ± 0.25[.010]		WEIGHT -	RESTRICTED TO		
3 PLC ± -		CUSTOMER DRAWING			
4 PLC ± -					
ANGLES ± -					
MATERIAL SEE TABLE					
FINISH -					

## Looking for pricing, stock, or lifecycle information?

Click below to explore more details on WIN SOURCE:

 [View 1981561-2 on WIN SOURCE](#)

 [TE Connectivity](#) Information

## Optimize Your Supply Chain with WIN SOURCE Solutions

-  Global Sourcing Solution
-  Obsolete Management
-  Cost Control Management
-  Shortage Management
-  Alternative Solution
-  Excess Inventory Management