



THE DATASHEET OF
41772



B.259 | Knurled knobs

Duroplast



- 1
- 2
- 3
- 4
- 5
- 6
- 7
- 8
- 9
- 10
- 11
- 12
- 13
- 14
- 15
- 16
- 17
- 18

MATERIAL

Phenolic based (PF) Duroplast. Black, glossy finish.

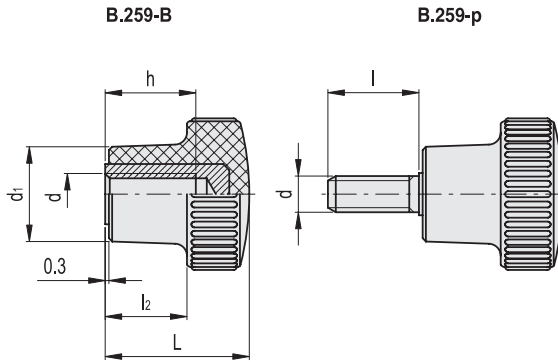
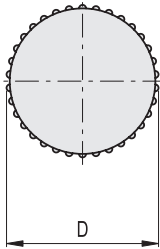
STANDARD EXECUTIONS

- **B.259-B**: brass boss, threaded blind hole.
- **B.259-p**: zinc-plated steel threaded stud, chamfered flat end according to UNI 947 : ISO 4753 (see Technical data on page A-11).



ELESA Original design

Conversion Table	
1 mm = 0.039 inch	
D	
mm	inch
21	0.83
26	1.02
31	1.22



B.259-B

Code	Description	D	d6H	L	d1	l2	h	△△
3001	B.259/20 B-M5	21	M5	25	13	12	16	12
3002	B.259/20 B-M6	21	M6	25	13	12	16	11
3111	B.259/25 B-M6	26	M6	28	16	15	16	18
3112	B.259/25 B-M8	26	M8	28	16	15	20	19
3201	B.259/30 B-M6	31	M6	32	19	17	16	25
3202	B.259/30 B-M8	31	M8	32	19	17	20	28
3203	B.259/30 B-M10	31	M10	32	19	17	17	29


B.259-p

Code	Description	D	d6g	L	d1	l	l2	△△
3011	B.259/20 p-M6x16	21	M6	25	13	16	12	13
3121	B.259/25 p-M8x20	26	M8	28	16	20	15	25
3211	B.259/30 p-M8x25	31	M8	32	19	25	17	38

Clamping elements

Looking for pricing, stock, or lifecycle information?

Click below to explore more details on WIN SOURCE:

 [View 41772 on WIN SOURCE](#)

 [TE Connectivity](#) Information

Optimize Your Supply Chain with WIN SOURCE Solutions

-  Global Sourcing Solution
-  Obsolete Management
-  Cost Control Management
-  Shortage Management
-  Alternative Solution
-  Excess Inventory Management