

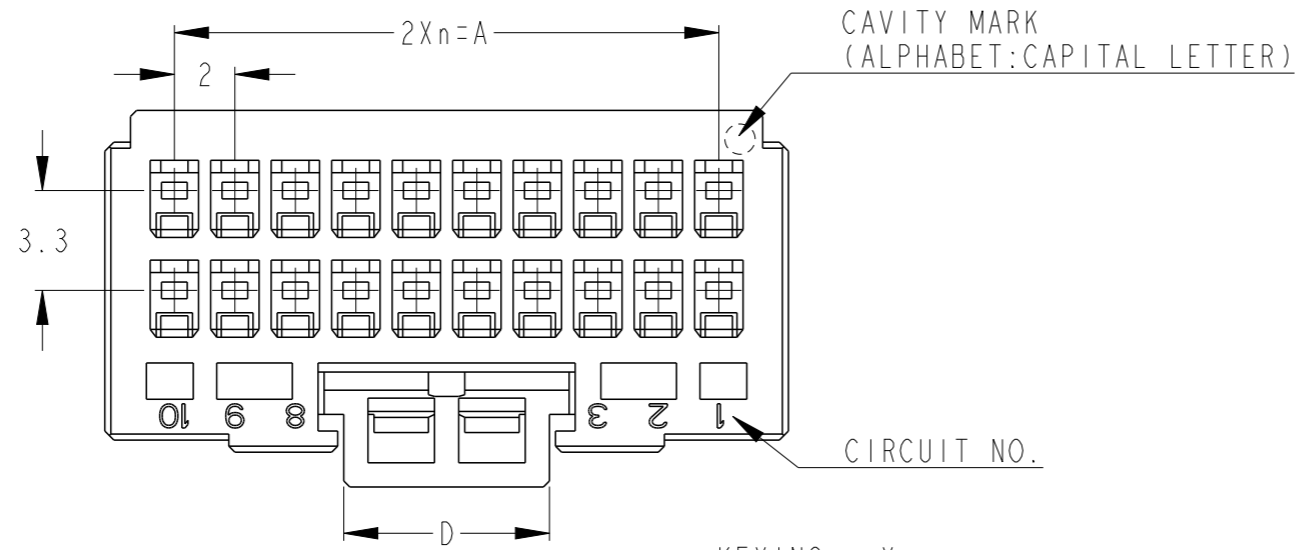


THE DATASHEET OF
145015064002861+

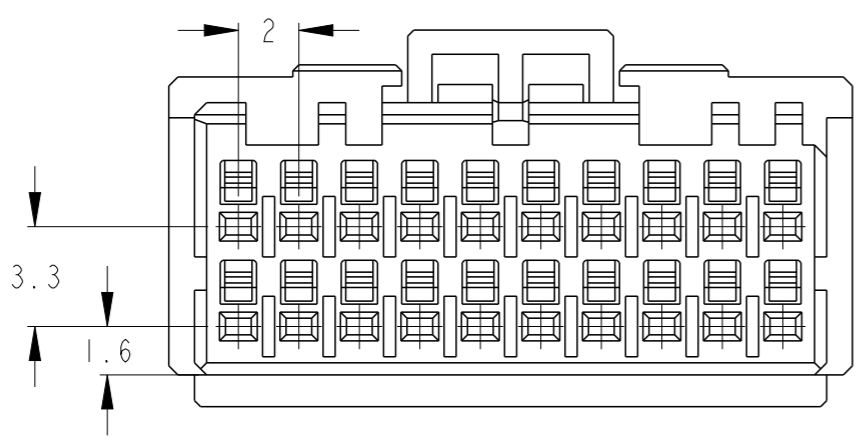
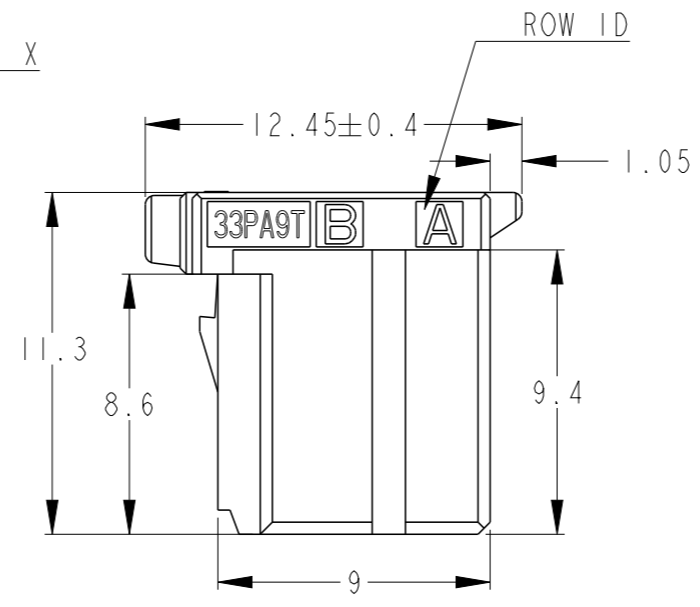
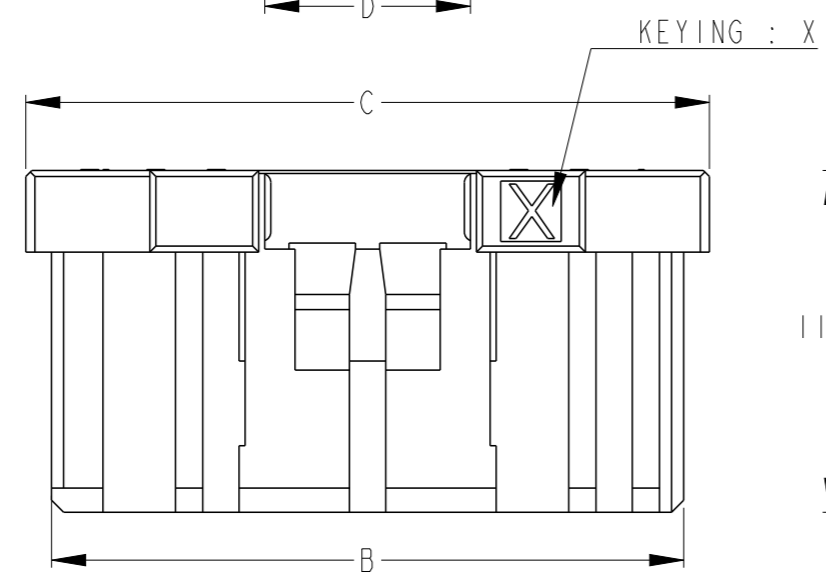
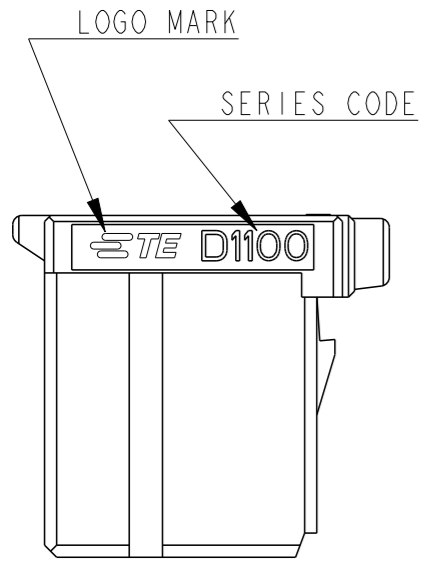


THIS DRAWING IS UNPUBLISHED. RELEASED FOR PUBLICATION 2005
 © COPYRIGHT 2005 ALL RIGHTS RESERVED.

LOC	DIST	REVISIONS				
P	LTR	DESCRIPTION	DATE	DWN	APVD	
	A	INITIAL	16MAR2018	F.Z	R.B	
	B	LOGO CHANGE; RESIN MARK ADD	08aug2018	F.Z	R.B	
	C	REVISED PER ECR-24-207201	29APR2024	R.W	R.B	

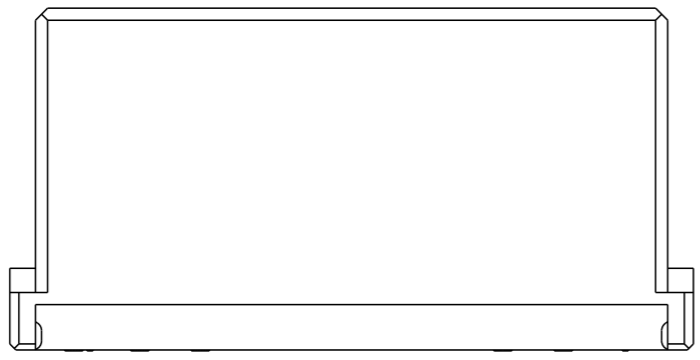


AS SHOWN
 20POS(X-KEY) : 1-2333149-0



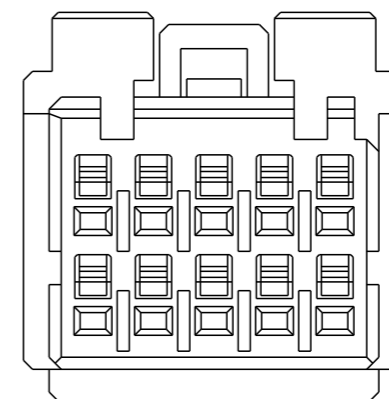
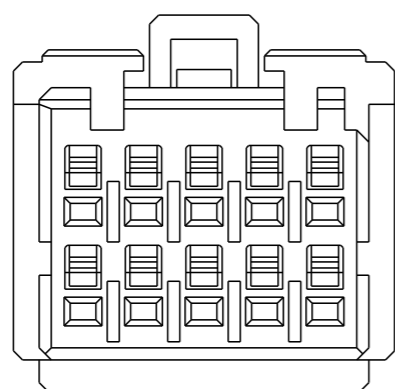
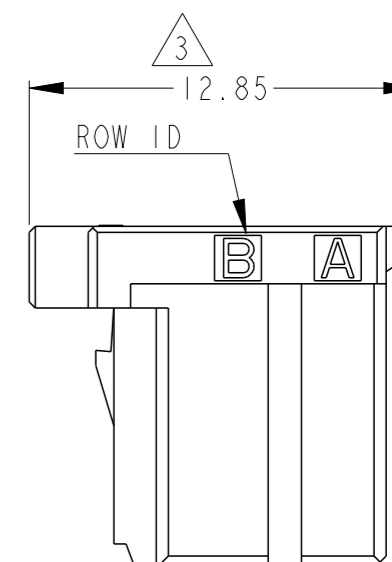
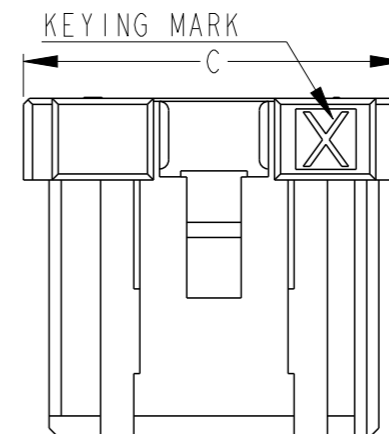
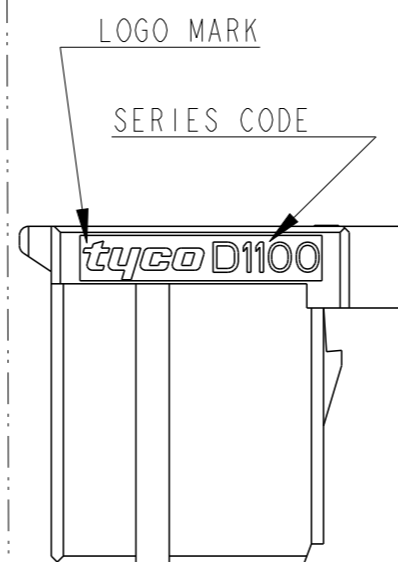
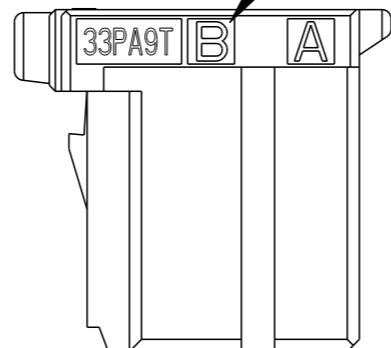
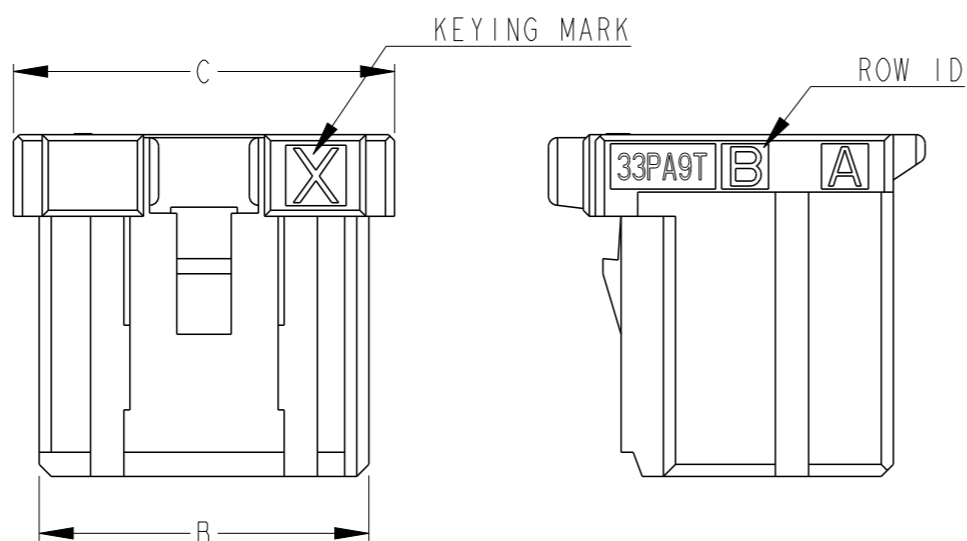
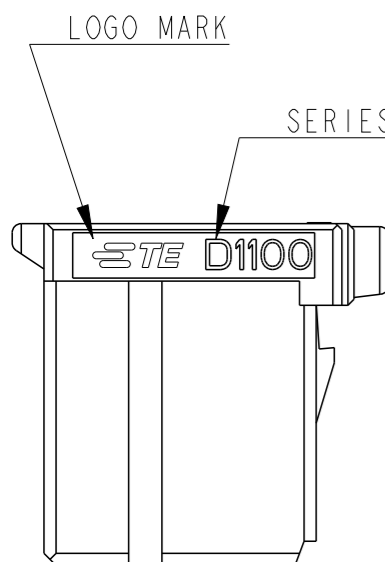
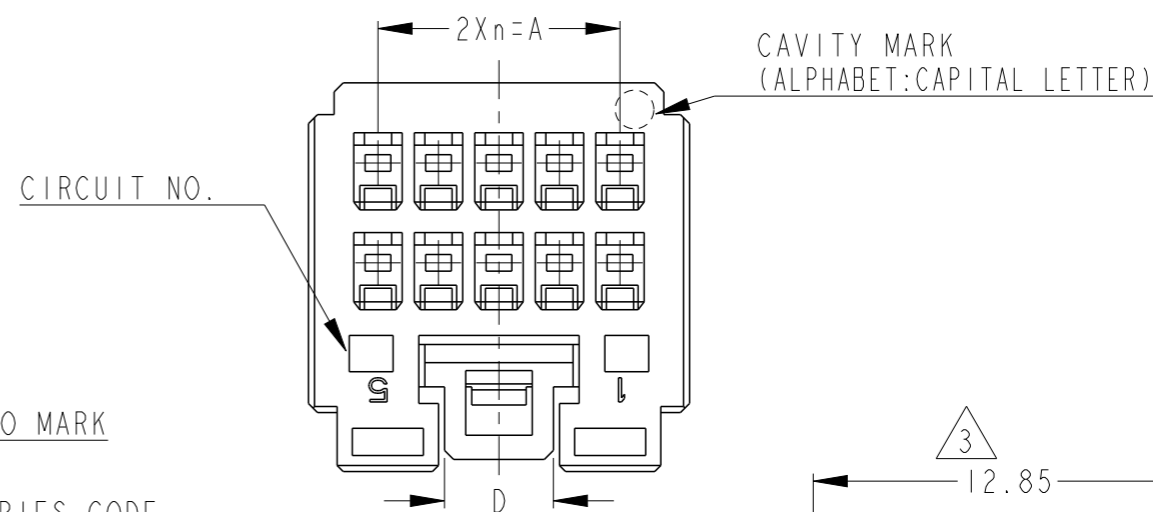
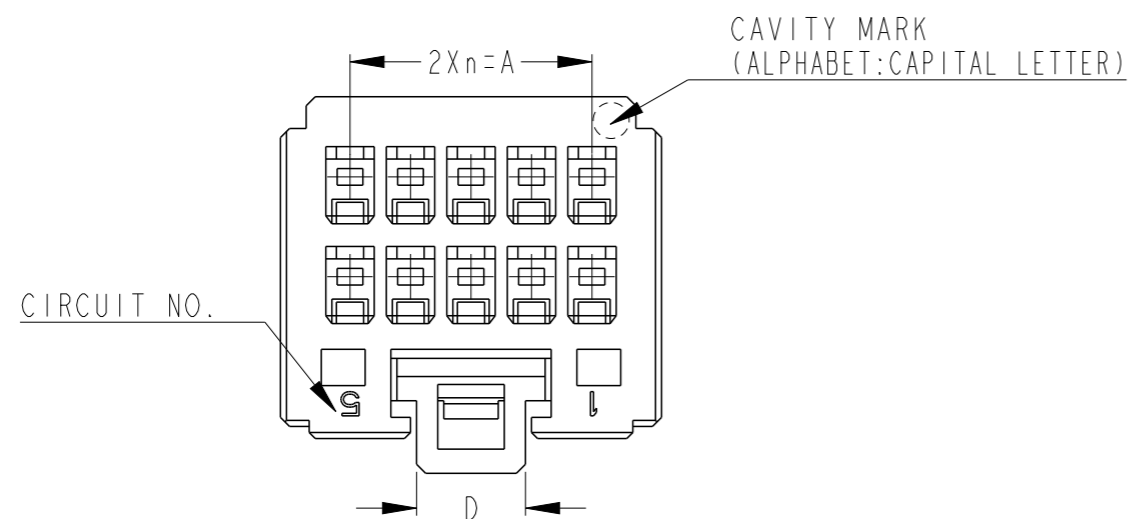
- 1. MATERIAL: GLASS FILED THERMO PLASTIC POLYESTER(94V-0), COLOR: BLACK
- 2. THE SHAPE, SIZE AND POSITION OF THE CHARACTER SHOW THE OUTLINE. THEY DON'T SHOW DETAILS.
- 3. DIFFERENT HEIGHT OF LOCK PROTECTOR. A FINGERTIP IS STOOD AND PUSHED WHEN OPERATING A LOCK LEVER

20	X	9	18.0	20.9	22.6	6.8	1-2333149-0
18	X	8	16.0	18.9	20.6	8.1	1-2333149-9
10	X	4	8.0	10.9	12.6	3.6	1-2333149-5
10	X	4	8.0	10.9	12.6	3.6	9-2333149-5 3
POS	KEY	n	A	B	C	D	PART NO



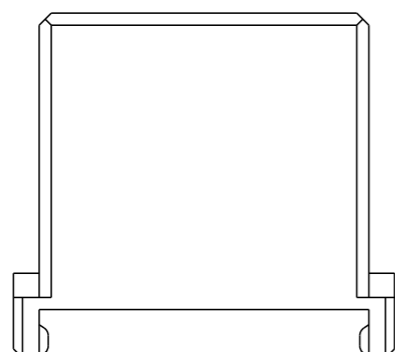
THIS DRAWING IS A CONTROLLED DOCUMENT.		DWN Fisher ZHU 29-Apr-24	STE TE Connectivity	
DIMENSIONS: mm		CHK Rick BIAN 29-Apr-24		
TOLERANCES UNLESS OTHERWISE SPECIFIED: ±0.3, ±3°		APVD Rick BIAN 29-Apr-24	NAME DYNAMIC D1100D 2.0mm PITCH REC HSG 10-20 POS	
0-PLC ± 1-PLC ± 2-PLC ± 3-PLC ± 4-PLC ± ANGLES ± FINISH -		PRODUCT SPEC 108-78268, 78298	RESTRICTED TO	
MATERIAL		APPLICATION SPEC 114-5377	SIZE A3	CAGE CODE 00779
1		WEIGHT	DRAWING NO C-2333149	REV C
		Customer Drawing	SCALE 4:1	SHEET 1 OF 3

P	LTR	DESCRIPTION	DATE	DWN	APVD
-	-	SEE SHEET 1	-	-	-



10POS(X-KEY)
1-2333149-5

3
10POS(X-KEY)
9-2333149-5



THIS DRAWING IS A CONTROLLED DOCUMENT.

DIMENSIONS: mm	TOLERANCES UNLESS OTHERWISE SPECIFIED:
	0 PLC ±-
	1 PLC ±-
	2 PLC ±-
	3 PLC ±-
	4 PLC ±-
	ANGLES ±-
MATERIAL	FINISH

DWN	-
CHK	-
APVD	-
PRODUCT SPEC	-
APPLICATION SPEC	-
WEIGHT	-
Customer Drawing	-

STE TE Connectivity

NAME DYNAMIC D1100D 2.0mm PITCH REC HSG 10-20 POS			
SIZE A3	CAGE CODE 00779	DRAWING NO C-2333149	RESTRICTED TO
SCALE 4:1	SHEET 2	OF 3	REV C

THIS DRAWING IS UNPUBLISHED.

RELEASED FOR PUBLICATION

2005

© COPYRIGHT 2005

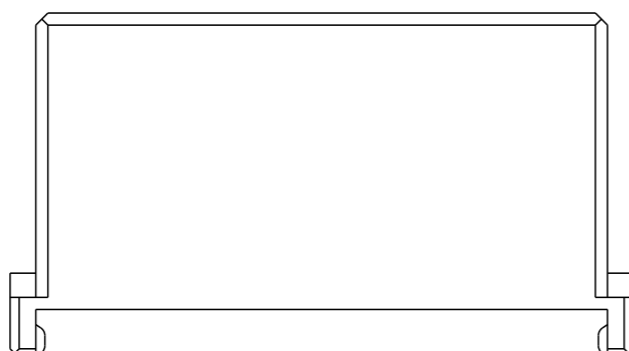
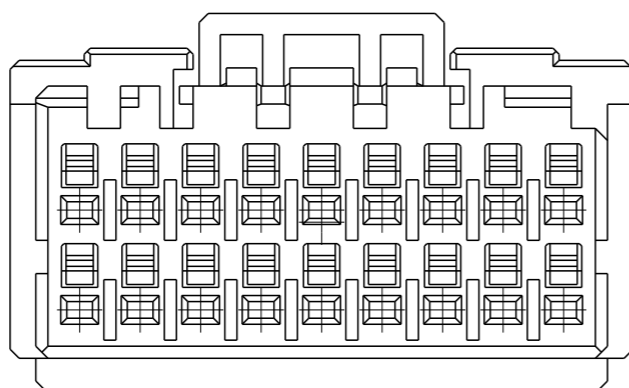
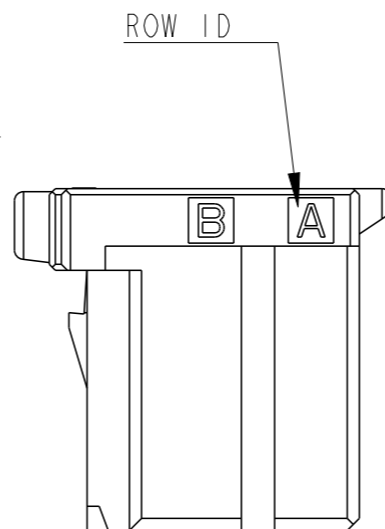
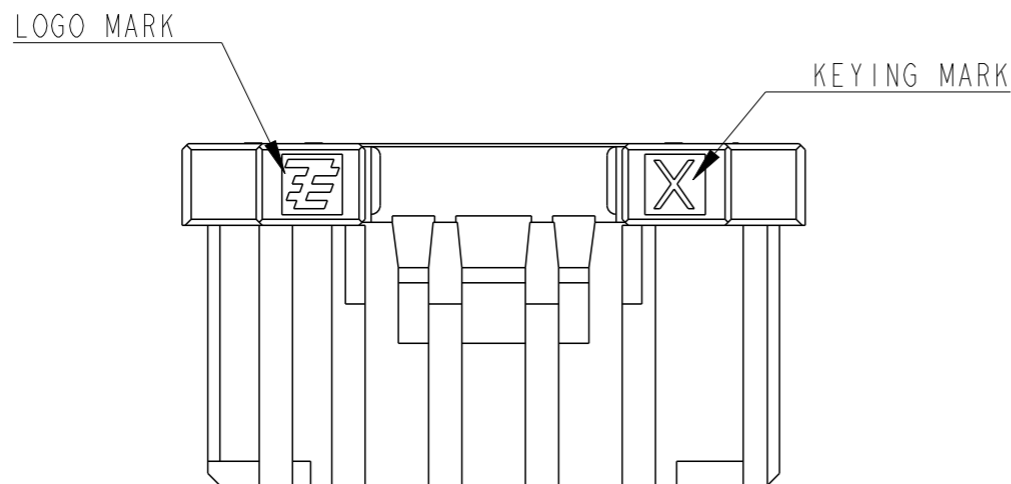
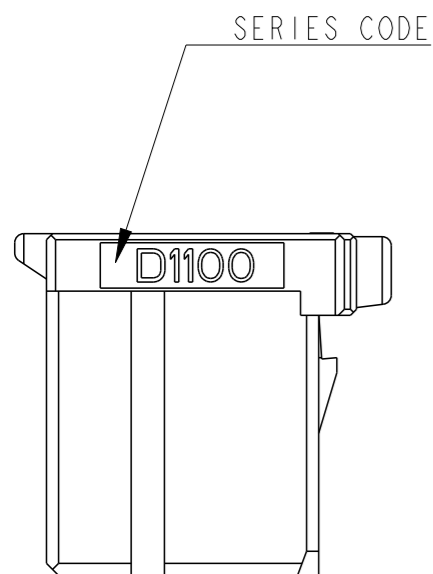
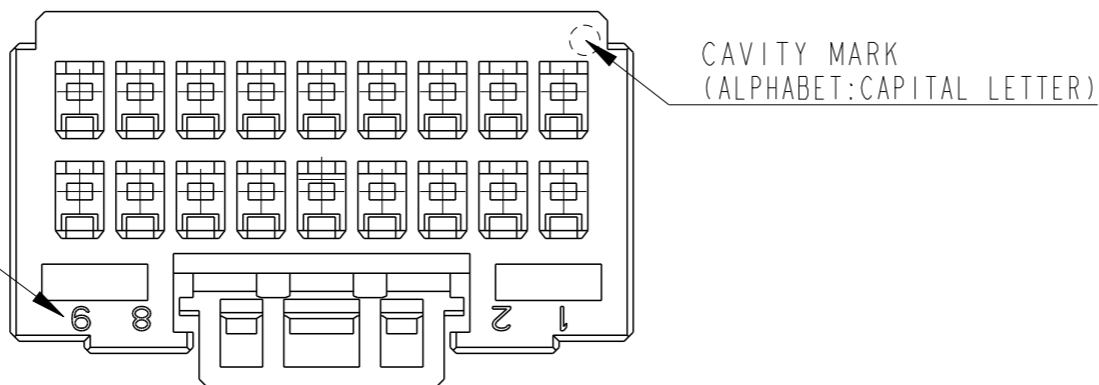
ALL RIGHTS RESERVED.

LOC DIST

REVISIONS

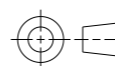
P	LTR	DESCRIPTION	DATE	DWN	APVD
-	-	SEE SHEET 1	-	-	-

AS SHOWN
18POS(X-KEY) : 1-2333149-9



THIS DRAWING IS A CONTROLLED DOCUMENT.

DIMENSIONS:
mm



TOLERANCES UNLESS OTHERWISE SPECIFIED:

- 0 PLC ±.
- 1 PLC ±.
- 2 PLC ±.
- 3 PLC ±.
- 4 PLC ±.
- ANGLES ±.
- FINISH -

MATERIAL

DWN	-
CHK	-
APVD	-
PRODUCT SPEC	-
APPLICATION SPEC	-
WEIGHT	-



NAME
DYNAMIC D1100D 2.0mm PITCH
REC HSG
10-20 POS

SIZE	CAGE CODE	DRAWING NO	RESTRICTED TO
A3	00779	C-2333149	-

Customer Drawing SCALE 4:1 SHEET 3 OF 3 REV C

Looking for pricing, stock, or lifecycle information?

Click below to explore more details on WIN SOURCE:

 [View 145015064002861+ on WIN SOURCE](#)

 [AVX Corp/Kyocera Corp](#) Information

Optimize Your Supply Chain with WIN SOURCE Solutions

-  Global Sourcing Solution
-  Obsolete Management
-  Cost Control Management
-  Shortage Management
-  Alternative Solution
-  Excess Inventory Management