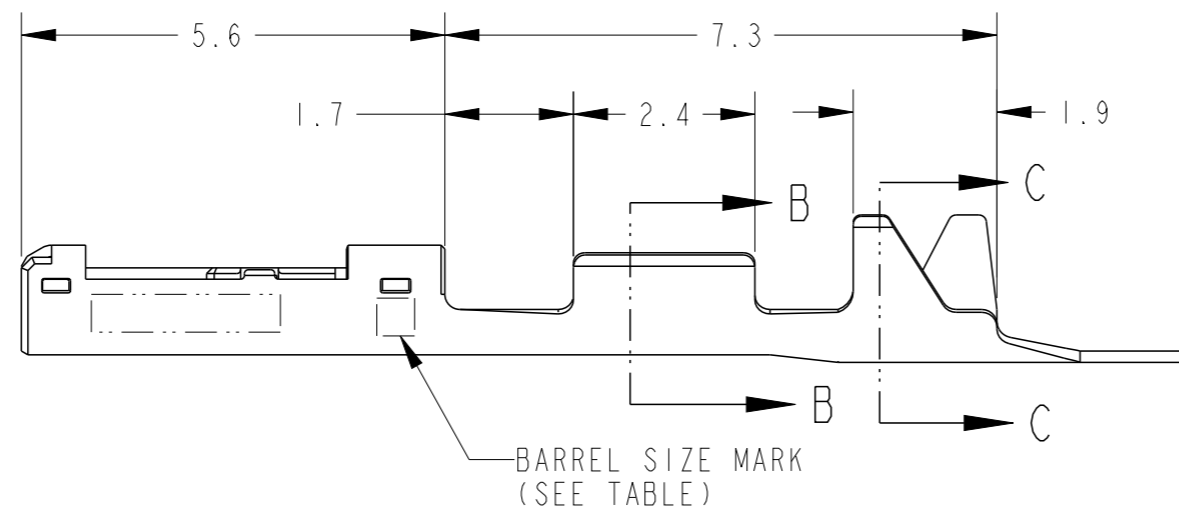
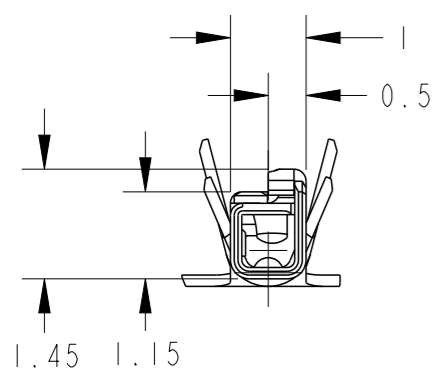
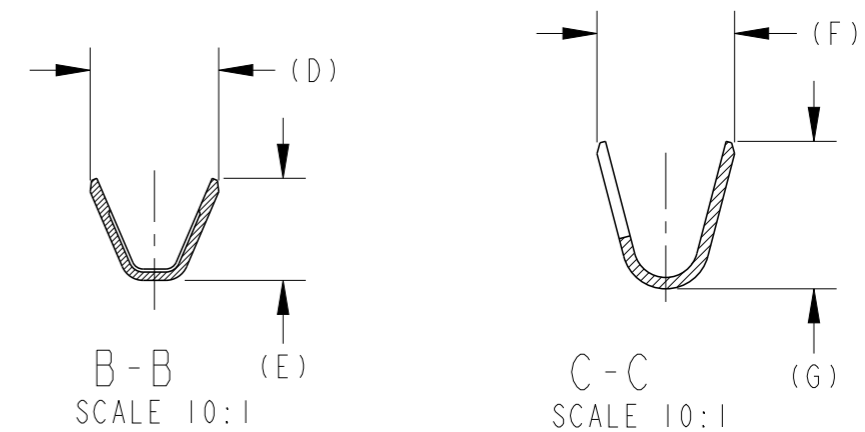
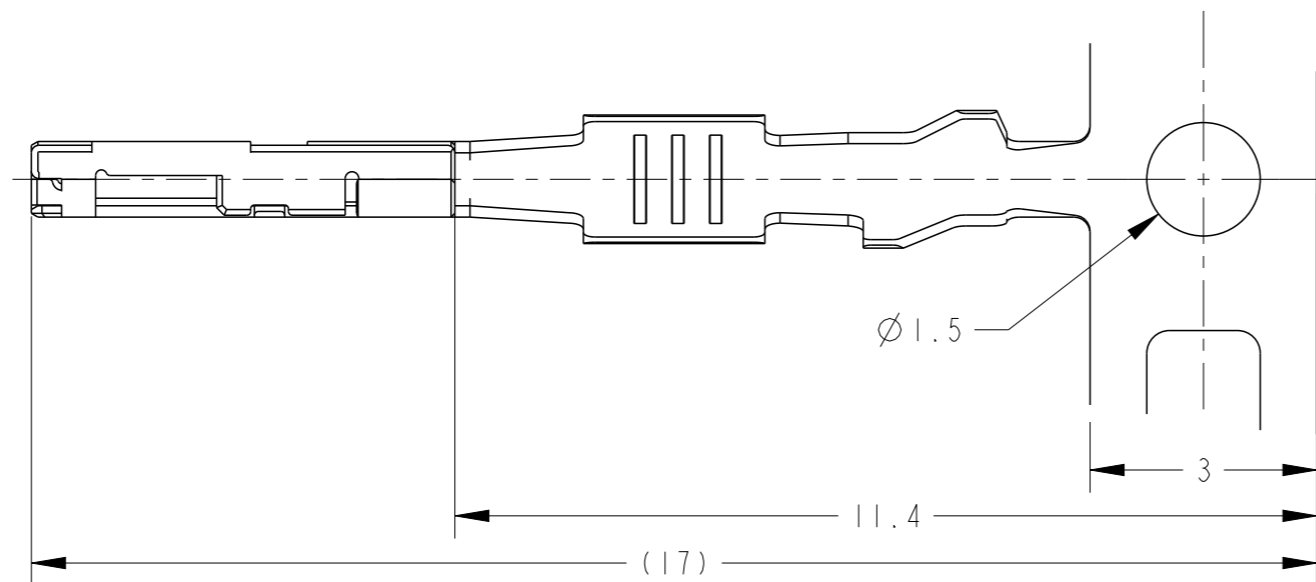




THE DATASHEET OF
1843936



P	LTR	DESCRIPTION	DATE	DWN	APVD
	A3	REVISED	ECR-20-004890	09APR2020	DT RK
	A4	REVISED	ECR-21-118871	21OCT2021	RK KK
	A5	REVISED	ECR-22-148286	03AUG2022	AY HH
	A6	REVISED	ECR-23-163668	16JAN2023	AY HH



1. 適用電線タイプ; TABLE-1参照
 2. 圧着作業については、下記の規格を参照すること
取付適用規格; 114-5379
 3. アプリケータ送りピッチ; 7mm
1. APPLICABLE WIRE TYPE; SEE TABLE-1
 2. MUST BE REFERRED TO THE FOLLOWING DOCUMENTS FOR CRIMPING OPERATION
APPLICATION SPEC; 114-5379
 3. APPLICATOR FEED; 7mm

TABLE-1

CHFUS/CIVUS	Ø 0.85~0.95	0.13~0.22mm ²	1.74	1.82	1.26	1.7	S	0.50 REC (S)	1827855-4
CPEX	Ø 1.3~1.5	0.22mm ²	2.45	2.1	1.35	1.7	C	0.50 REC (C)	1827855-3
CHFUS/CIVUS	Ø 1.1~1.4	0.35~0.5mm ²	2.45	2.1	1.7	1.8	L	0.50 REC (L)	1827855-2
CHFUS/CIVUS	Ø 0.95~1.2	0.22~0.35mm ²	1.95	1.82	1.35	1.7	M	0.50 REC (M)	1827855-1
APPLICABLE WIRE TYPE	INS RANGE	WIRE RANGE	G	F	E	D	BARREL SIZE MARK	NAME	PART NO

THIS DRAWING IS A CONTROLLED DOCUMENT.

DIMENSIONS: 単位: 耗 mm		TOLERANCES UNLESS OTHERWISE SPECIFIED: 一般公差 ± 0.3	
		0 PLC ± 1 PLC ±0.3 2 PLC ±0.10 3 PLC ±0.001 4 PLC ±0.0001 ANGLES ±3'00"	
MATERIAL 材料 COPPER ALLOY		FINISH 仕上 PRE-TIN	

DWN	Y. SUEMITSU	25APR2005
CHK	K. SAKAMAKI	25APR2005
APVD	S. ISOHATA	25APR2005
PRODUCT SPEC	108-78208	
APPLICATION SPEC	114-5379	
WEIGHT	0.06 g	
CUSTOMER DRAWING		



NAME
名称 RECEPTACLE CONTACT, CRIMP TYPE,
0.50 SERIES

SIZE	CAGE CODE	DRAWING NO	RESTRICTED TO
A3	00779	1827855	-
SCALE 尺度 10:1		SHEET 1 OF 1	REV A6

Looking for pricing, stock, or lifecycle information?

Click below to explore more details on WIN SOURCE:

 [View 1843936 on WIN SOURCE](#)

 [Phoenix Contact Information](#)

Optimize Your Supply Chain with WIN SOURCE Solutions

-  Global Sourcing Solution
-  Obsolete Management
-  Cost Control Management
-  Shortage Management
-  Alternative Solution
-  Excess Inventory Management