



**THE DATASHEET OF  
0402ESDA-AEC1**



4

3

2

1

THIS DRAWING IS UNPUBLISHED.

RELEASED FOR PUBLICATION

20

© COPYRIGHT 19 BY -

ALL RIGHTS RESERVED.

LOC

DIST

REVISIONS

| P | LTR | DESCRIPTION                     | DATE      | DWN   | APVD  |
|---|-----|---------------------------------|-----------|-------|-------|
|   | D2  | DRAFTING CORRECTION             | 04SEP2012 | A. B. | M. G. |
|   | D3  | ADDED ALTERNATIVE SHAPE VERSION | 20MAR2016 | M. P. | M. G. |
|   | D4  | REVISED PER ECN-24-293211       | 12NOV2024 | V. N. | V. N. |

**FORMA ALTERANTIVA  
(ALTERNATIVE SHAPE)**

PARETE DIVISORIA  
RIBASSATA  
(SEPARATION WALL  
LOWERED)

Dimensions: 27.8, 28.2, 41.5 REF.

Dimension: 28.5

Dimensions: 14.0±0.2, 8.0±0.2, 4.5±0.2, 4.5±0.2

Labels: A047, STE, >PA66-GF13<, 21, 2, 3, 4, 5

**OBSELETE**

|                       |                         |      |                         |
|-----------------------|-------------------------|------|-------------------------|
| VERDE<br>(GREEN)      | PA 6.6 GF               | D    | 284106-5                |
| MARRONE<br>(BROWN)    |                         | D    | 284106-4                |
| ROSSO<br>(RED)        |                         | D    | 284106-3                |
| NERO<br>(BLACK)       |                         | D    | 284106-2                |
| NATURALE<br>(NATURAL) |                         | D    | <del>284106-1</del>     |
| COLORE<br>(COLOUR)    | MATERIALE<br>(MATERIAL) | REV. | NUMERO<br>(PART NUMBER) |

THIS DRAWING IS A CONTROLLED DOCUMENT.

DWN C. PIA 15JUN98

CHK A. GENTA 15JUN98

APVD A. BRUNI 15JUN98

PRODUCT SPEC 108-

APPLICATION SPEC 114-

WEIGHT -

CUSTOMER DRAWING

DIMENSIONS:  
mmTOLERANCES UNLESS  
OTHERWISE SPECIFIED:

|        |           |
|--------|-----------|
| 0 PLC  | ±0.3      |
| 1 PLC  | ±-        |
| 2 PLC  | ±-        |
| 3 PLC  | ±-        |
| 4 PLC  | ±-        |
| ANGLES | ±2        |
| FINISH | SEE TABLE |

MATERIAL SEE TABLE

FINISH SEE TABLE

**STE**

TE Connectivity

NAME  
5 POS. MODULAR CONN FOR  
MICRO-RELAY WITH SECONDARY LOCK

| SIZE | CAGE CODE | DRAWING NO | RESTRICTED TO |
|------|-----------|------------|---------------|
| A3   | 00779     | C-284106   |               |

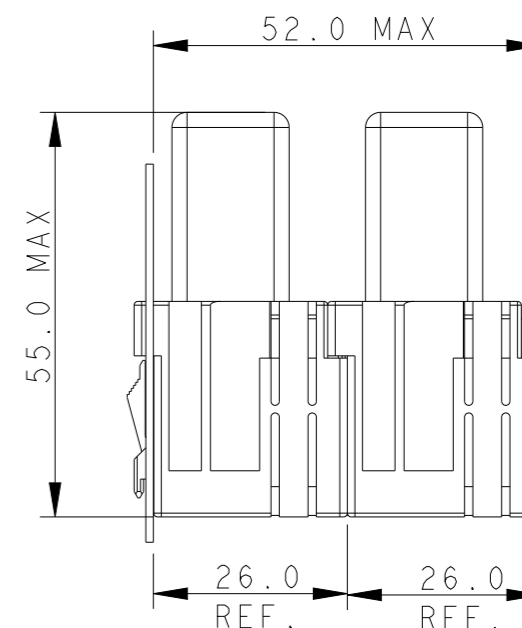
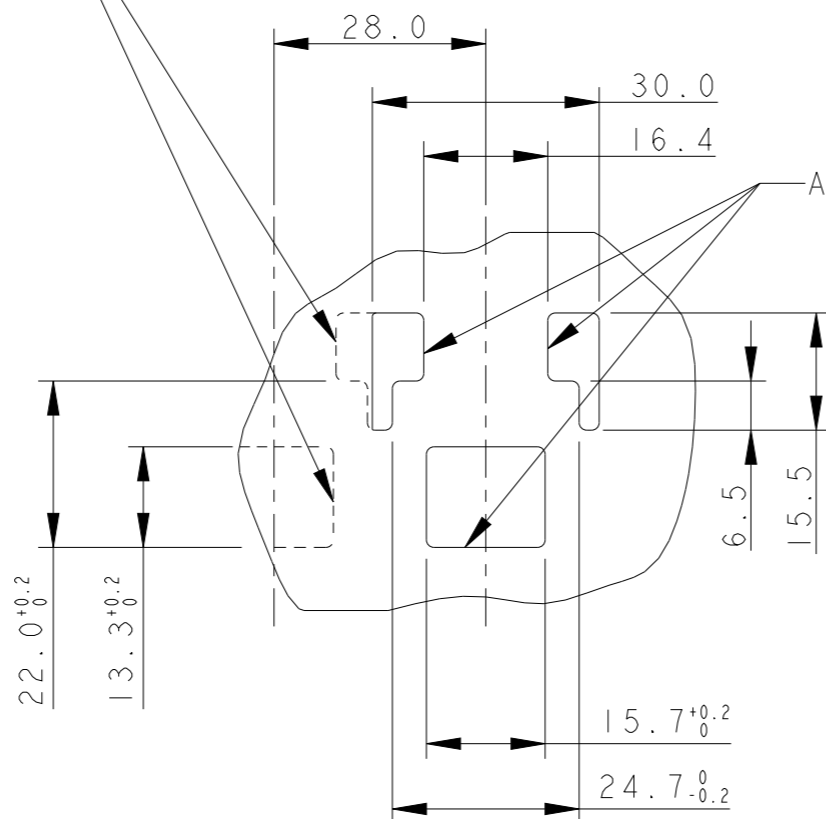
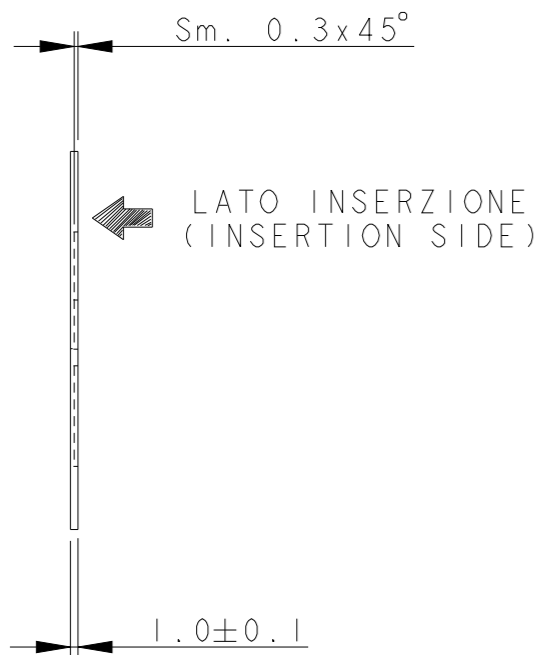
SCALE 2:1 SHEET 1 OF 2 REV D4

1470-19 (3/11)

| P | LTR | DESCRIPTION | DATE | DWN | APVD |
|---|-----|-------------|------|-----|------|
|   |     | SEE SHEET 1 |      |     |      |

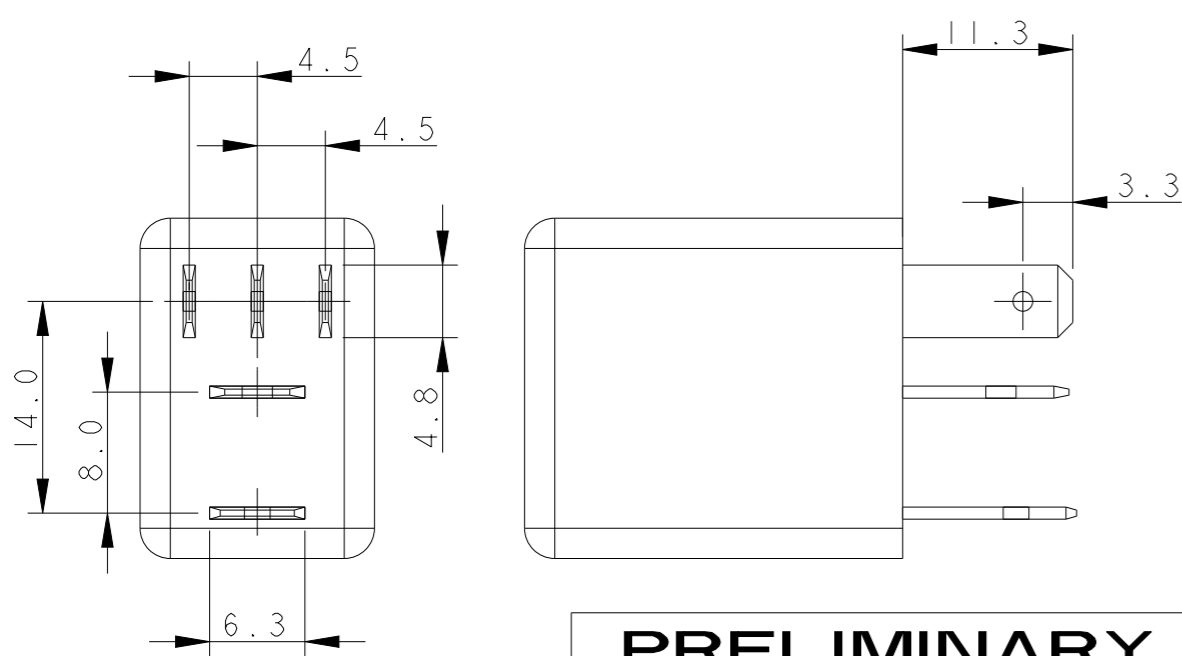
ASOLE ADDIZIONALI PER ASSEMBLAGGIO MULTIPLO  
(ADDITIONAL SLOTS FOR MULTIPLE MOUNTING)

ASOLE PER ASSEMBLAGGIO SINGOLO  
(SLOTS FOR SINGLE MOUNTING)



RAPPRESENTAZIONE MODULARITA' SCALA 1:1  
NON ASSEMBLARE PIU' DI 2 CONNETTORI INSIEME  
(SKETCH SHOWING CONNECTORS MODULARITY SCALE 1:1  
DO NOT ASSEMBLE MORE THAN 2 CONNECTORS TOGETHER)

DIMENSIONI RELAY  
(RELAY DIMENSIONS)



**PRELIMINARY**

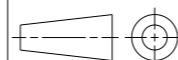
- 1 N°2 CAVITA' ADATTE PER TERMINALI STANDARD POWER TIMER P/N:  
(N°2 CAVITIES SUITABLE FOR STANDARD POWER TIMER CONTACTS P/N:)  
927829-5 FINISH: SILVERED, WIRE RANGE: 2.5-4.0 sqmm  
(FINITURA: ARGENTATO, RANGO FILO: 2.5-4.0 sqmm)  
1241818-5 FINISH: SILVERED, WIRE RANGE: 6.0 sqmm  
(FINITURA: ARGENTATO, RANGO FILO: 6.0 sqmm)

- 2 N°3 CAVITA' ADATTE PER TERMINALI POSITIVE LOCK MARK II, .187 SERIES P/N:  
(N°3 CAVITIES SUITABLE FOR POSITIVE LOCK MARK II, .187 SERIES CONTACTS P/N:)  
173690-1 FINISH: PRE-TIN, WIRE RANGE: 0.35-0.5 sqmm  
(FINITURA: PRE-STAGNATO, RANGO FILO: 0.35-0.5 sqmm)  
173691-1 FINISH: PRE-TIN, WIRE RANGE: >0.5-1.0 sqmm  
(FINITURA: PRE-STAGNATO, RANGO FILO: >0.50-1.0 sqmm)  
1318306-1 FINISH: PRE-TIN, WIRE RANGE: >1.0-2.5 sqmm  
(FINITURA: PRE-STAGNATO, RANGO FILO: >1.0-2.5 sqmm)

THIS DRAWING IS A CONTROLLED DOCUMENT.

DIMENSIONS:  
mm

TOLERANCES UNLESS OTHERWISE SPECIFIED:



- 0 PLC ±0.3
- 1 PLC ±-
- 2 PLC ±-
- 3 PLC ±-
- 4 PLC ±-
- ANGLES ±2
- FINISH SEE TABLE

MATERIAL SEE TABLE

SEE TABLE

DWN 15JUN98

C.PIA

CHK 15JUN98

A.GENTA

APVD 15JUN98

A.BRUNI

PRODUCT SPEC

108-

APPLICATION SPEC

114-

WEIGHT

-

CUSTOMER DRAWING



TE Connectivity

NAME  
5 POS. MODULAR CONN FOR MICRO-RELAY WITH SECONDARY LOCK

SIZE CAGE CODE DRAWING NO RESTRICTED TO

A300779 C-284106

CUSTOMER DRAWING

SCALE 2:1

SHEET 2 OF 2

REV D4

## Looking for pricing, stock, or lifecycle information?

Click below to explore more details on WIN SOURCE:

- ⊖ [View 0402ESDA-AEC1 on WIN SOURCE](#)
- ⊖ [Eaton-Electronics Division Information](#)

## Optimize Your Supply Chain with WIN SOURCE Solutions

- ✓ Global Sourcing Solution
- ✓ Obsolete Management
- ✓ Cost Control Management
- ✓ Shortage Management
- ✓ Alternative Solution
- ✓ Excess Inventory Management