



**THE DATASHEET OF**  
**09300102296**



## Griffblech mit Schraubadapter Han 24B

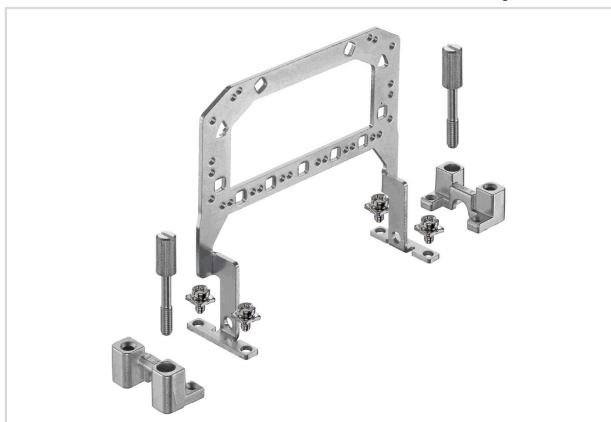


Image is for illustration purposes only. Please refer to product description.

Part number	09 00 024 5611
Specification	Griffblech mit Schraubadapter Han 24B
HARTING eCatalogue	<a href="https://harting.com/09000245611">https://harting.com/09000245611</a>

### Identification

Category	Accessories
Type of accessory	Grip frame
Description of the accessory	With screw adapter and screw to use in connection with 09 00 000 5602

### Version

Size	24 B
------	------

### Material properties

Material (accessories)	Metal
Surface (accessories)	Zinc plated
RoHS	compliant
ELV status	compliant
China RoHS	e
REACH Annex XVII substances	Not contained
REACH ANNEX XIV substances	Not contained
REACH SVHC substances	Not contained
California Proposition 65 substances	Yes
California Proposition 65 substances	Nickel

### Commercial data

Packaging size	1
Net weight	100 g
Country of origin	Germany



**Pushing Performance**  
Since 1945

## Commercial data

European customs tariff number	85389099
GTIN	5713140002920
eCl@ss	27440392 Connector (accessories)
ETIM	EC002939
UNSPSC 24.0	39121400

## Looking for pricing, stock, or lifecycle information?

Click below to explore more details on WIN SOURCE:

 [View 09300102296](#) on WIN SOURCE

 [HARTING](#) Information

## Optimize Your Supply Chain with WIN SOURCE Solutions

-  Global Sourcing Solution
-  Obsolete Management
-  Cost Control Management
-  Shortage Management
-  Alternative Solution
-  Excess Inventory Management